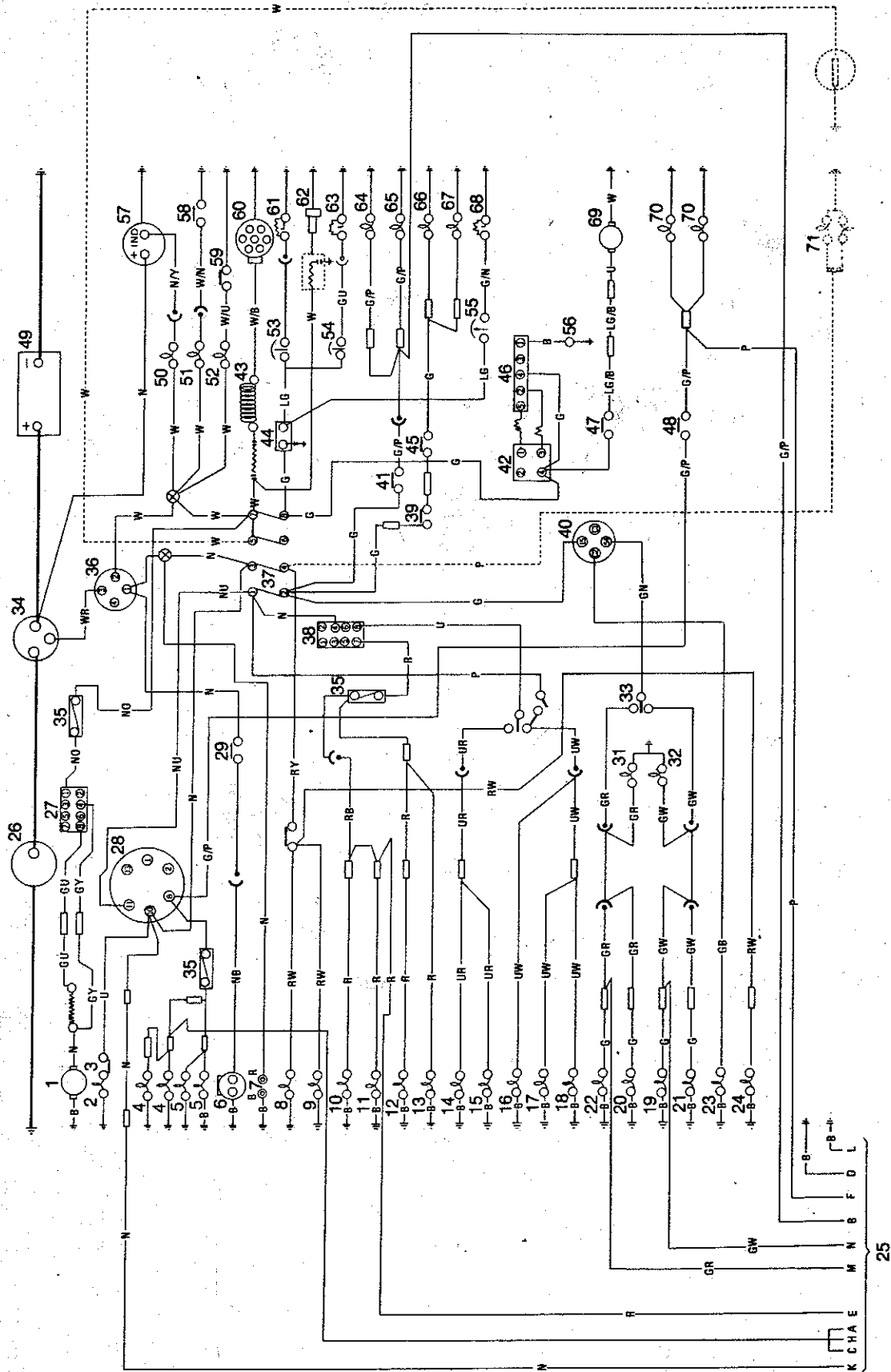


ELECTRICAL EQUIPMENT



NOTE Items shown with broken lines are fitted to FFR vehicles only.

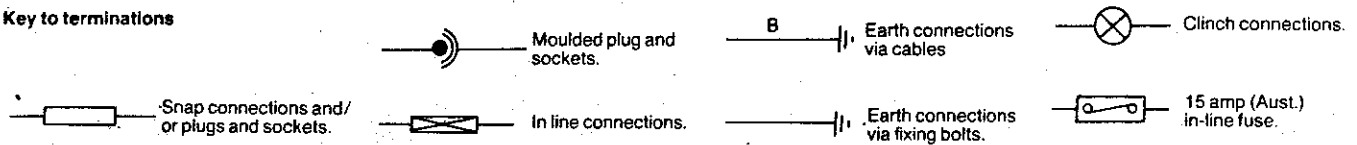
Late GS Cargo and FFR vehicles.



Key to circuit diagram (late models)

- | | | |
|--|---|--|
| 1. Blower motor | 26. Starter motor, Lucas 2M100 | 51. Warning light, oil pressure |
| 2. Map reading lamp | 27. Blower switch | 52. Warning light, choke |
| 3. Switch, map reading | 28. Blackout switch | 53. Fuel gauge |
| 4. Convoy light, rear | 29. Horn push switch | 54. Water temperature gauge |
| 5. Blackout lamp, front | 30. Switch, panel light | 55. Oil temperature gauge |
| 6. Horn | 31. Warning light, indicator RH | 56. Socket, wiper inhibitor |
| 7. Inspection sockets | 32. Warning light, indicator LH | 57. Alternator, Lucas 15ACR-2D |
| 8. Speedo panel, light | 33. Switch, direction indicators | 58. Switch, oil pressure |
| 9. Instrument group, light | 34. Solenoid, starter motor | 59. Switch, choke |
| 10. Tail lamp, LH | 35. Fuse, in-line, 15 amp (AUST.) | 60. Distributor |
| 11. Tail lamp, RH | 36. Switch, ignition and starter | 61. Fuel tank unit |
| 12. Side lamp, LH | 37. Fuses, 1 to 8, 35 amp (U.K.)
or 15 amp (AUST.) | 62. Fuel pump |
| 13. Side lamp, RH | 38. Switch, lights | 63. Water temperature transmitter unit |
| 14. Headlamp, LH dipped beam | 39. Switch, pressure | 64. Stop lamp, LH |
| 15. Headlamp, RH dipped beam | 40. Flasher unit, Hella No. 3036 | 65. Stop lamp, RH |
| 16. Warning light, headlamp main beam | 41. Switch, stop lamp | 66. Reversing lamp, RH |
| 17. Headlamp, LH main beam | 42. Switch, wiper | 67. Reversing lamp, LH |
| 18. Headlamp, RH main beam | 43. Coil, ignition | 68. Oil temperature transmitter |
| 19. Direction indicator lamp, rear RH | 44. Stabilizer unit, 10 volt | 69. Screenwasher motor |
| 20. Direction indicator lamp, front RH | 45. Switch, reverse | 70. Blackout stoplamps |
| 21. Direction indicator lamp, front LH | 46. Screenwiper motor | 71. Switch/lamp, Cargo (FFR) |
| 22. Direction indicator lamp, rear LH | 47. Switch, screenwasher | 72. Hourmeter (FFR) |
| 23. Trailer pilot light | 48. Switch, blackout stop | |
| 24. Oil temperature gauge, light | 49. Battery | |
| 25. Nato socket | 50. Warning light, ignition | |

Key to terminations



B—Black D—Dark G—Green K—Pink L—Light N—Brown O—Orange
P—Purple R—Red S—Slate U—Blue W—White Y—Yellow

SCHEMATIC WIRING DIAGRAM CONTROL PANEL (FFR ONLY)

