

# Registry of Ex Military Land Rovers

Copyright of this document is retained by the original authors. Some parts may have been superseded or changed since that time.

This document has been download from the Registry of Ex Military Land Rovers at <http://www.remlr.com> . All files available from this site are free of charge.

If you have paid for this document please report where you purchased it from to the Registry of Ex Military Land Rovers Inc at [webmaster@remlr.com](mailto:webmaster@remlr.com)





# REPAIR PARTS SCALE

**02226**

**2320-66-139-4886**

**TRUCK, MORTAR CARRIER, LIGHT, FFR,  
W/WINCH, MC2, LANDROVER 110, 6X6,  
ISUZU TURBOCHARGED ENGINE**

**(SUPPLEMENT)**

***(TO BE READ IN-CONJUNCTION WITH RPS 02228)***

**ISSUE 1 JUN 99**

AUTHORISED FOR THE USE WITHIN THE  
AUSTRALIAN ARMY BY COMMAND OF THE  
CHIEF OF ARMY

A handwritten signature in black ink, appearing to read "P.F. Haddad".

**P.F. HADDAD  
MAJOR GENERAL  
SUPPORT COMMANDER-  
ARMY**

UNCONTROLLED WHEN PRINTED

# CONTENTS

<b>SUBJECT</b>	<b>PAGE</b>
TITLE PAGE	I
CONTENTS	II
PREFACE	III
REPAIR PARTS SCALES REQUEST	V
SCALES CHANGE REQUEST	VII

## CHAPTER 1 – INDEXES

<b>SECTION</b>	<b>TITLE</b>
1	REPAIR PARTS SCALES NIIN INDEX
2	REPAIR PARTS SCALES GROUP INDEX
3	IDENTIFICATION PLATE

## CHAPTER 2 – TEXT

1	REPAIR PARTS SCALES – TEXT AND ILLUSTRATIONS
---	--

## PREFACE

### Purpose of the Repair Parts Scale

1. This Repair Parts Scale (RPS) is an entitlement document prepared by Defence Materiel Organisation (DMO), Technical Data Centre (TDC). It authorises Units, Technical Support Sub-Units and Workshops that have the responsibility, the trade qualified personnel and the facilities, to draw Repair Parts for the repair and maintenance of the equipment detailed within the RPS.

### Basis of Scale

2. The RPS is assessed on the premise that a repair part is any essential component or accessory which, through deterioration, breakage, normal wear and tear or loss, is likely to require replacement during the expected life of the equipment, and is an item which could not be economically repaired or fabricated in workshops.

3. The range and breadth of repair parts listed in the RPS is based on the grades of repair authorised for the equipment.

### Recommended Stocking Quantities

4. The scale or depth of repair parts (also known as stocking quantities) are not listed in the RPS.

5. A Recommended Stocking Quantities report for units or force scaling for deployments and exercises may be obtained from The **RPS/CES Manager** using the same Web, E-mail, Fax and Mail addresses as listed under General Enquiries.

6. The following information is to be supplied with each Stocking Quantity Report request:

- a. RPS Number(s);
- b. equipment asset NATO Stock Number(s) (NSN) or Entitlement Group Code(s) (EGC);
- c. equipment asset name(s);
- d. number of equipment to be supported;
- e. duration of the support in months;
- f. the grade of repair at which the support is to be provided ie Light (L), Medium (M) and Heavy (H);
- g. type of forecast required if more than one equipment is involved (ie a single forecast per equipment or a consolidated report listing all equipment in one report); and
- h. the date the report is required by.

### Access to RPS On-line

7. RPS can be accessed for viewing on-line at <http://vbmweb.sor.defence.gov.au/techdata> The RPS on this site can be Printed and Saved but when printed or saved they are Uncontrolled Copy.

### Additional Copies of RPS or RPS Index

8. Personnel authorised by their unit to request additional copies of RPS or the RPS Index can do so using the same Web, E-mail, Fax and Mail addresses as listed under General Enquiries.

### New Issues and Distribution

9. New RPS and new Issues of RPS are distributed automatically to authorised recipients.

10. When a new Issue of an RPS is released it supersedes all previous Issues, copies of which should be destroyed.

### Delivery Address for RPS

11. Unless special circumstances exist, RPS or Indexes will not be addressed or sent to individuals they will be delivered to the Unit or Sub Unit address (eg. 7 Sig Regt or 3 RAR Tech Spt ). Personnel requesting RPS or Indexes are to ensure they are authorised to submit the request and that the receiving Unit or Sub Unit will complete the internal delivery.

### General Enquiries

12. For general enquiries in respect of any RPS contact The RPS/CES Manager via the TDC website address as per Para 7.

by e-mail to:

LEATechnicalData@drnex.defence.gov.au

by Telephone to: (03) 9282 7812

by Facsimile to: (03) 9282 7618 or

or, by Mail to:

**RPS/CES Manager**  
**Technical Publications Section**  
**Technical Data Centre**  
**DPM-3**  
**661 Bourke Street**  
**MELBOURNE VIC 3001**

### Changes to RPS and Scales Change Requests

13. Amendments to RPS will normally be made in the form of new issues.

14. Users may request changes to RPS by submitting Scales Change Requests (SCR) using the same web, E-mail, Fax and Mail addresses as listed under General Enquiries.

15. Hardcopy of SCR proformas are in the front of every RPS. Electronic copies can be submitted through the TDC website address as per Para 7.

16. Scales Change Requests may be raised by:

- a. units, repair elements, logistic units and headquarters who find, through user experience, the scale is inadequate either by range or quantity of repair parts;
- b. units, repair elements, logistic units and headquarters who consider previously non-scaled items could become a recurring requirement; or
- c. personnel who have identified errors or omissions in the text or illustrations.

17. Scales Change Requests will be acknowledged by TDC. If a change is approved, then users will be notified in the form of interim (pen) amendments. The changes will then be incorporated in the next issue of the RPS

18. It is emphasised that units, repair elements and logistic units are free to adjust their holdings as soon as user experience indicates the need. Adjustment action does not require prior approval of a Scales Change Request. The latter is required by TDC so the RPS database may be updated to reflect the latest information. This data may then be used for subsequent stocking quantity reports, reflecting the latest usage data.

### How to Use the RPS

19. Refer to the Group Index in the Contents page of the RPS to locate the starting page number of the group required.

20. Refer to the group illustration and identify the item required by its callout number.

21. Refer to the text page, the callout number of the item required is listed in the column titled ITEM NO. Information for each item is listed in the columns titled:

DESIGNATION,  
NSN  
MANUFACTURER CODE / PART NO  
SUPPLIER CODE / PART NO,  
NO OFF (per assembly),  
UOI (unit of issue),  
EXP (stock type), and  
L\* M\* H\* (grade of repair details.)

22. The RPS Indexes also allow users to locate the position of parts for which the NSN or NATO Item Identification Number (NIIN) is known. Refer to the NIIN sequence index to locate the group and callout number of the item.

### Illustrated Items

23. All illustrated items have an accompanying Item number in column 1 of that group's text page; eg AAB 007 indicates callout number 7 on the illustration for group AAB.

### Non-illustrated Items

24. All non-illustrated items within a group are identified by having an Item number of 901 (formerly 9001) or greater; eg AAB 901 indicates the first unillustrated item within group AAB, AAB 902 the second and so on. The non-illustrated item numbering system has been changed to comply with the requirements of the Standard Defence Supply System (SDSS).

### Scaled Items

25. Scaled items are indicated as such by having the letters "L", "M" or "H" in the grade of repair column, and a NSN in the NSN column.

26. In some instances, particularly for first issue RPS, items intended to be scaled may not have a NSN listed but will be identified for repair by "L", "M" or "H" in the grade of repair column. As soon as cataloguing action is completed for these items, a new issue of the RPS will be released.

### Non-scaled Items

27. Non-scaled items have the grade of repair column blank, do not have an NSN and therefore do not appear in the NIIN index.

28. Requests for non-scaled items are to be carefully examined by units' technical support sub-units, workshops and contract repair elements. Requests for non-scaled items should be directed to the applicable National Fleet Manager.

### Manufacturers' and Suppliers' Codes and Part Numbers

29. Prime manufacturers' codes and part numbers, if available, will appear directly below the NSN field. If not available, the field will read "NIL" or be blank. The next higher assembly should be requested for items with "NIL".

30. Suppliers' codes and part numbers, if available, will appear directly below the prime manufacturers' code and part number field. If not available, the field will be a duplicate of the manufacturer's code and part number.

**INTENTIONALLY**

**LEFT**

**BLANK**

## REPAIR PARTS SCALES REQUEST

UNIT TITLE AND ADDRESS:	YOUR REFERENCE NO:
	UNIT CONTACT TELEPHONE NO:
	STD: <span style="float: right;">DNATS:</span>

**PLEASE SUPPLY THE FOLLOWING REPAIR PARTS SCALES**

RPS NO.	ISSUE NO.	REPLACEMENT COPIES QTY (1)	AUTOMATIC DISTRIBUTION QTY (2)	REMARKS

RAISED BY:					
NAME (PRINT)	SIGNATURE	RANK	APPOINTMENT	DATE	

Notes: 1. In this column, indicate the number of copies you require now (this does not affect automatic distribution).  
 2. In this column, indicate the number of copies required for automatic distribution of future issues of this RPS.

<b>TECHNICAL DATA CENTRE, PUBLICATIONS SECTION USE ONLY</b>	
DATE RECEIVED: .....	DATE ACTIONED: .....

UNCONTROLLED WHEN PRINTED

PLEASE STAPLE OR TAPE BEFORE MAILING

OHMS

DEPARTMENT OF DEFENCE (ARMY)

If not delivered, return to:

-----  
-----  
-----  
-----

**RPS/CES MANAGER  
PUBLICATIONS SECTION  
TECHNICAL DATA CENTRE  
DPM-3  
661 Bourke Street  
MELBOURNE VIC 3001**

-----  
FOLD HERE

UNCONTROLLED WHEN PRINTED  
**SCALES CHANGE REQUEST**

UNIT TITLE AND ADDRESS:		YOUR REFERENCE NO:	
		UNIT CONTACT TELEPHONE NO:	
		STD:	DNATS:
RPS NO:	ISSUE NO:	ISSUE DATE:	

GROUP	ILLUS NO.	DETAILS

RAISED BY:					
.....					
NAME (PRINT)	SIGNATURE	RANK	APPOINTMENT	DATE	

<b><u>TECHNICAL DATA CENTRE, PUBLICATIONS SECTION USE ONLY</u></b>		
ENTERED DATABASE [ ____ ]		
UNIT SERIAL NO [ _____ ]	DATE RECEIVED ____/____/____	USER ID [ _____ ]

UNCONTROLLED WHEN PRINTED

PLEASE STAPLE OR TAPE BEFORE MAILING

OHMS

DEPARTMENT OF DEFENCE (ARMY)

If not delivered, return to:

-----  
-----  
-----  
-----

**RPS/CES MANAGER  
PUBLICATIONS SECTION  
TECHNICAL DATA CENTRE  
DPM-3  
661 Bourke Street  
MELBOURNE VIC 3001**

-----  
FOLD HERE

UNCONTROLLED WHEN PRINTED  
REPAIR PARTS SCALE DISTRIBUTION LIST

UNIT	QTY	UNIT	QTY
PBSD (RPS MANAGER)	2		
MSLMD	2		
AEA (EIO)	2		
SOUTH QLD LOG GROUP	4		
6 RAR TECH SPT	3		
7 CSSB WKSP	5		
25/49 RQR TECH SPT	2		
9 RQR	3		
2 CER TECH SPT	4		
7 SIG REGT (EW)	2		
1 FD REGT TECH SPT	3		
ROVER AUSTRALIA PTY LTD	5		
GAWS	2		
TECHNICAL DATA MGT AGENCY	1		
TOTAL QUANTITY	40		

**INTENTIONALLY**

**LEFT**

**BLANK**

# **CHAPTER 1**

## **SECTION 1**

### **REPAIR PARTS SCALES NIIN INDEX**

**INTENTIONALLY**

**LEFT**

**BLANK**

**UNCONTROLLED WHEN PRINTED**  
**REPAIR PARTS SCALE NIIN INDEX**

NIIN 99-999-9999	GROUP IDENT NO	NIIN 99-999-9999	GROUP IDENT NO	NIIN 99-999-9999	GROUP IDENT NO
12-199-8964	QL 905	66-132-1327	WA 904	66-144-8909	WE 003
12-331-9990	WEA 031	66-133-4548	WEA 020	66-144-8909	WEG 005
66-014-8509	WEA 017	66-139-2036	SR 001	66-144-8910	WE 030
66-016-3535	SGD 022	66-142-8882	SS 901	66-144-8911	WE 039
66-036-6060	QBAA 007	66-142-8882	SSA 901	66-144-8912	WE 052
66-036-8141	QL 015	66-142-8883	SS 902	66-144-8927	WB 908
66-039-2341	SGD 904	66-142-8884	WB 022	66-144-8928	WE 056
66-061-8871	WC 906	66-143-7499	WEA 018	66-144-8929	WE 060
66-076-3624	QBA 005	66-144-3362	SR 021	66-144-8930	WE 062
66-098-2816	QL 014	66-144-6236	QBA 007	66-144-8931	WE 064
66-102-4112	WE 911	66-144-6328	QBA 001	66-144-8932	WE 067
66-119-8561	QL 021	66-144-6333	WC 021	66-144-8933	WE 084
66-120-4188	WEA 014	66-144-6335	SR 012	66-144-8934	WE 092
66-125-2329	WC 025	66-144-6336	WA 906	66-144-8935	WE 103
66-128-4521	SGD 010	66-144-6356	WB 016	66-144-8936	WE 918
66-128-4546	QL 027	66-144-6367	SR 007	66-144-8938	WEA 019
66-128-4578	WE 114	66-144-6368	SR 010	66-144-8939	WEA 028
66-128-4597	QL 033	66-144-6369	WB 010	66-144-8940	WEA 033
66-128-4715	WE 036	66-144-6387	WC 907	66-144-8942	WEE 013
66-128-4715	WE 912	66-144-6391	SR 013	66-144-8943	WEE 014
66-128-4737	QL 003	66-144-6398	WE 082	66-144-8943	WEF 014
66-128-4737	WE 913	66-144-6425	SS 001	66-144-8944	WEF 901
66-128-4965	SGD 001	66-144-6472	WB 007	99-122-6474	QBA 003
66-128-4967	SGD 004	66-144-6472	WE 016	99-135-0442	QBA 002
66-128-4969	SGD 015	66-144-6472	WED 015	99-137-9232	QL 032
66-128-5280	SGD 012	66-144-6473	WC 028	99-220-2553	WA 903
66-128-5308	QBA 901	66-144-6474	WB 008	99-735-2711	WE 031
66-128-5322	QBA 008	66-144-6476	WB 009	99-970-3518	SGD 902
66-128-5359	QBA 902	66-144-6477	WB 903	99-995-1170	WE 032
66-128-5363	QBA 903	66-144-6481	WC 027		
66-128-5508	WED 029	66-144-6492	WE 919		
66-128-5542	WED 031	66-144-6646	WC 018		
66-128-5614	WEA 027	66-144-6691	WB 904		
66-128-5824	SGD 017	66-144-8846	QBAA 003		
66-128-5825	SGD 018	66-144-8847	QBAA 008		
66-128-5845	SGD 026	66-144-8848	SSA 001		
66-128-5846	SGD 023	66-144-8849	SSA 902		
66-128-5847	SGD 008	66-144-8850	SSA 003		
66-128-5887	QBA 004	66-144-8851	SSA 023		
66-128-5888	SGD 025	66-144-8880	WB 021		
66-128-5904	WEA 010	66-144-8881	WE 007		
66-128-6033	QL 904	66-144-8882	WE 012		
66-128-6100	SGD 030	66-144-8883	WE 014		
66-128-6225	WEE 005	66-144-8884	WE 022		
66-131-2610	WA 905	66-144-8885	WE 023		

**INTENTIONALLY**

**LEFT**

**BLANK**

# **CHAPTER 1**

## **SECTION 2**

# **REPAIR PARTS SCALES GROUP INDEX**

**INTENTIONALLY**

**LEFT**

**BLANK**

UNCONTROLLED WHEN PRINTED  
REPAIR PARTS SCALE GROUP INDEX

GROUP	CONTENTS	START PAGE
QBA	BATTERIES AND CABLES - FFR	1
QBAA	ISOLATION SWITCH	2
QL	REAR WIRING HARNESSSES AND FITTINGS	4
QLB	WIRING HARNESSSES - COMMAND POST	9
SGD	IDENTIFICATION AND INSTRUCTION LABELS	14
SR	CANOPY	20
SS	REAR SEAT ASSEMBLY	27
SSA	REAR SEAT ASSEMBLY - COMMAND POST	29
W	MODULE ASSEMBLY - MORTAR CARRIER	32
WA	FRAME AND FLOOR	33
WB	ROOF ASSEMBLY	37
WC	ROLL OVER PROTECTION	41
WE	INTERIOR FIXTURES	45
WEA	CONSOLE - COMMAND POST	60
WEB	RADIO FRAME AND BRACKETS	64
WED	UNDER SEAT STOWAGE BINS AND WEAPON MOUNTING BRACKETS	65
WEE	FLOOR ACCESS DOOR	68
WEF	WORK TABLE, LIGHT AND MOUNTING BRACKETS	70
WEG	VOLTAGE REDUCER AND MOUNTING BRACKETS	74
WEH	PARTITION AND MOUNTING BRACKETS	76
WG	REAR SEAT FRAME ASSEMBLY - CREW	79
WGA	REAR SEAT FRAME ASSEMBLY - COMMAND POST	82

**INTENTIONALLY**

**LEFT**

**BLANK**

# **CHAPTER 1**

## **SECTION 3**

### **IDENTIFICATION PLATE**

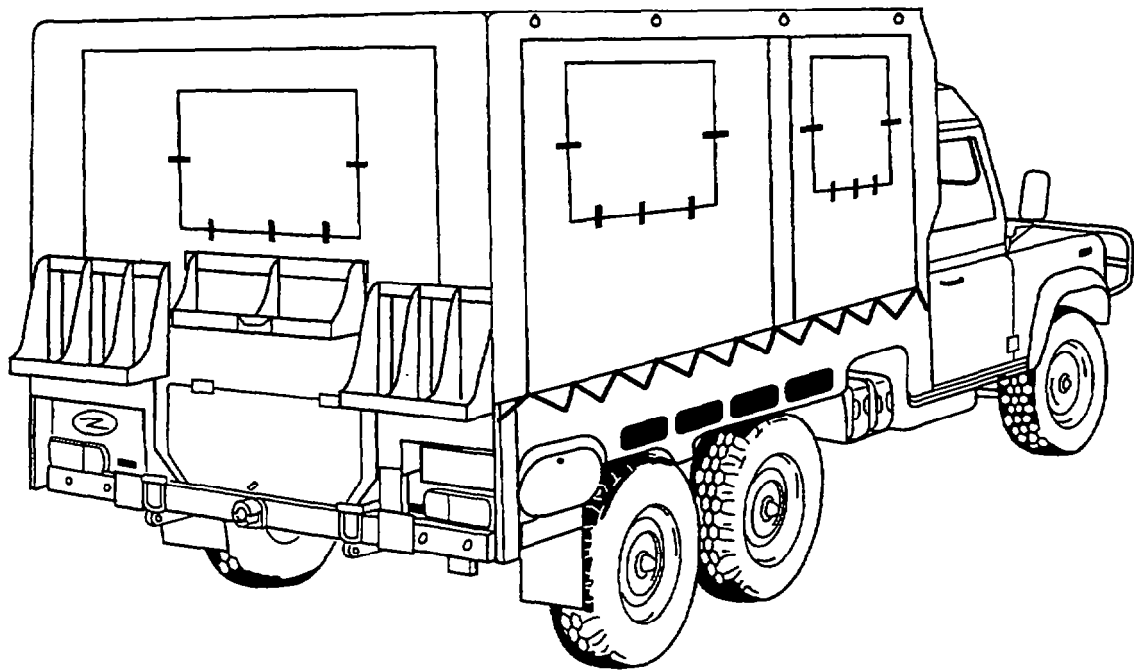
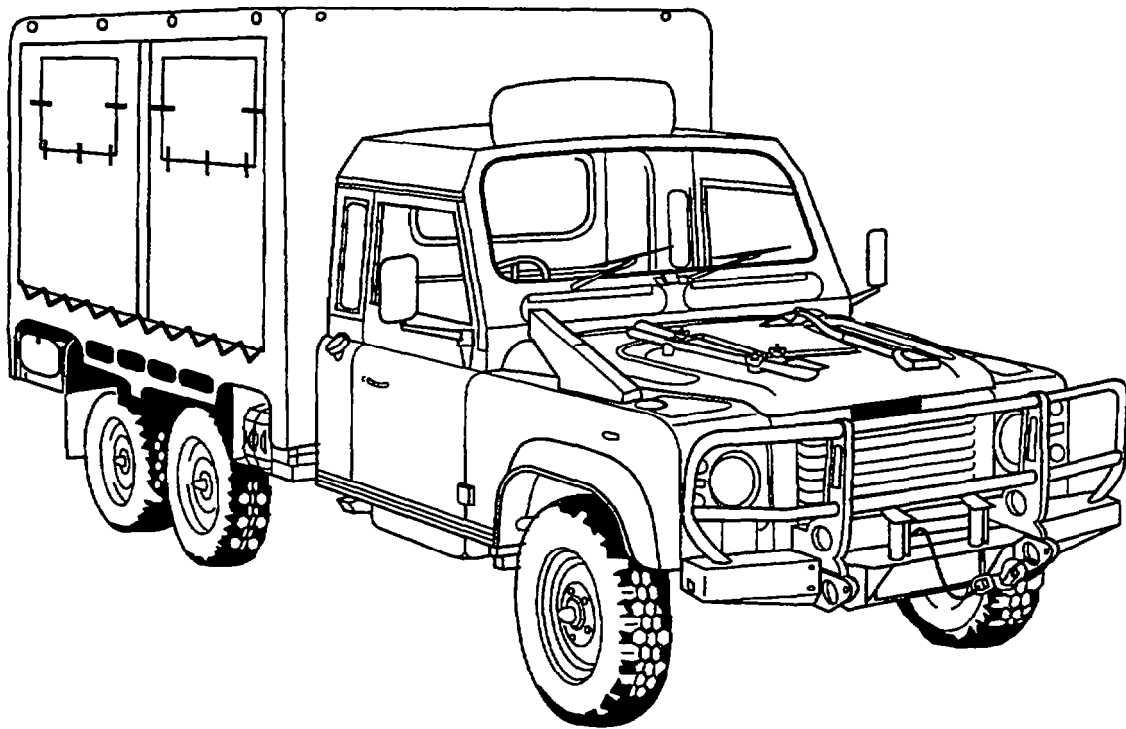
**INTENTIONALLY**

**LEFT**

**BLANK**

**IDENTIFICATION PLATE**

**02226**



**TRUCK, MORTAR CARRIER, LIGHT, FFR,  
W/WINCH, MC2, LAND ROVER 110, 6x6,  
ISUZU TURBOCHARGED DIESEL ENGINE** A

**INTENTIONALLY**

**LEFT**

**BLANK**

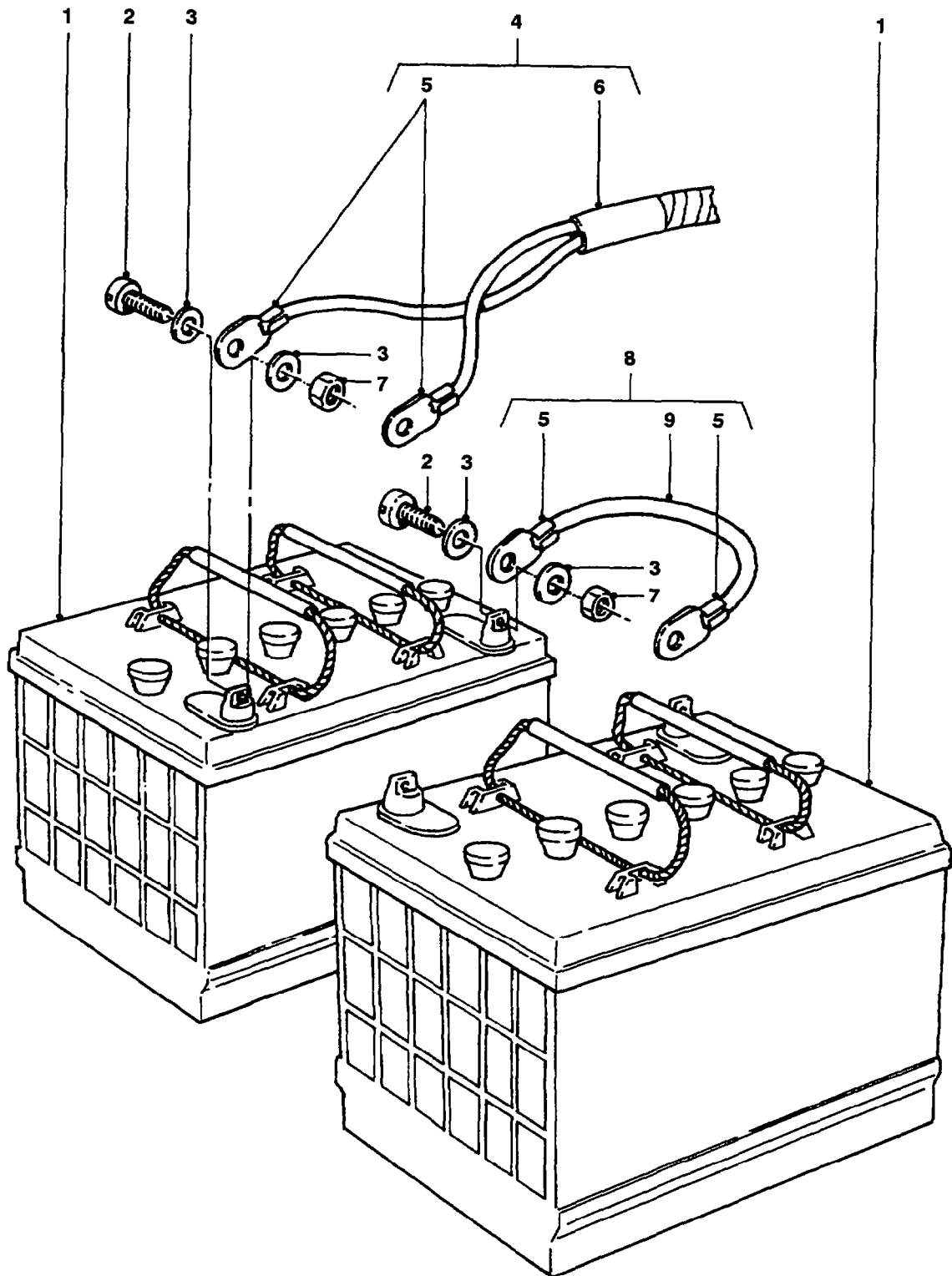
## **CHAPTER 2**

### **SECTION 1**

# **REPAIR PARTS SCALE TEXT AND ILLUSTRATIONS**

# GROUP QBA

02226



## BATTERY AND CABLES - FFR

## UNCONTROLLED WHEN PRINTED

GROUP QBA  
TITLE BATTERIES AND CABLES - FFR

ITEM NO	DESIGNATION	NSN MANUFACTURER CODE/PART NO SUPPLIER CODE/PART NO	NO OFF	U I	E P	L* M* H*
001	BATTERY, STORAGE 12 V, 93 AH, 345 MM LG, 175 MM W, 245 MM H, TERMINAL LUGS	6140 66-144-6328 Z3552/ED6LUG Z5394/BYG9404	2	EA	A	LMH
002	SCREW, MACHINE ISO METRIC, STEEL, PAN HD, ZINC COATED, 6 MM BY 25 MM LG BY 25 MM LG	5305 99-135-0442 U1030/SE106251 Z5394/SE106251	4	EA	X	LMH
003	WASHER, FLAT RD, STEEL, ZINC PLATED, 6 MMNOM BOLT SIZE, 12.50 MM OD, 1.60 MM THK	5310 99-122-6474 U1030/WA106041 Z5394/WA106041	8	EA	X	LMH
004	LEAD, STORAGE BATTERY (INCLUDES QBA 005 - 2 OFF, QBA 901 - 2 OFF, QBA 902 AND QBA 006)	6140 66-128-5887 Z5394/AYG9966 Z5394/AYG9966	1	EA	X	LMH
005	TERMINAL, LUG LUG, CABLE LUG (ALSO PART OF QBA 004 AND QBA 008)	5940 66-076-3624 Z0220/H1412 Z0220/H1412	4	EA	X	LMH
901	TERMINAL, LUG SOLDER TYPE LUG (ALSO PART OF QBA 004)	5940 66-128-5308 Z0220/H1366 Z0220/H1366	2	EA	X	LMH
902	GROMMET, NONMETALLIC (ALSO PART OF QBA 004)	5325 66-128-5359 Z5394/AYA9039 Z5394/AYA9039	2	EA	X	LMH
006	LEAD, STORAGE BATTERY (USE QBA 004)	/NIL /NIL	1			
903	TUBING, PLASTIC, SPIRAL WRAP BATTERY CABLES TO DISTRIBUTOR BOX	9330 66-128-5363 Z5394/MYH5256 Z5394/MYH5256	1	EA	X	LMH
007	NUT, SELF-LOCKING, HEXAGON ISO METRIC, STEEL, ZINC, 6 MM THD, 10 MM A/F, 7.5 MM O/A H	5310 66-144-6236 U1030/NY106047L Z5394/NY106047L	4	EA	X	LMH
008	LEAD, STORAGE BATTERY 4B AND S, 37/0.36 MM.STRANDS , INSULATION AND WIRE TO SAA C147 (INCLUDES QBA 005 - 2 OFF AND QBA 009)	6140 66-128-5322 Z5394/AYG9920 Z5394/AYG9920	1	EA	X	LMH
009	LEAD, STORAGE BATTERY, LINK (USE QBA 008)	/NIL /NIL	1			

ISSUE NO: 1

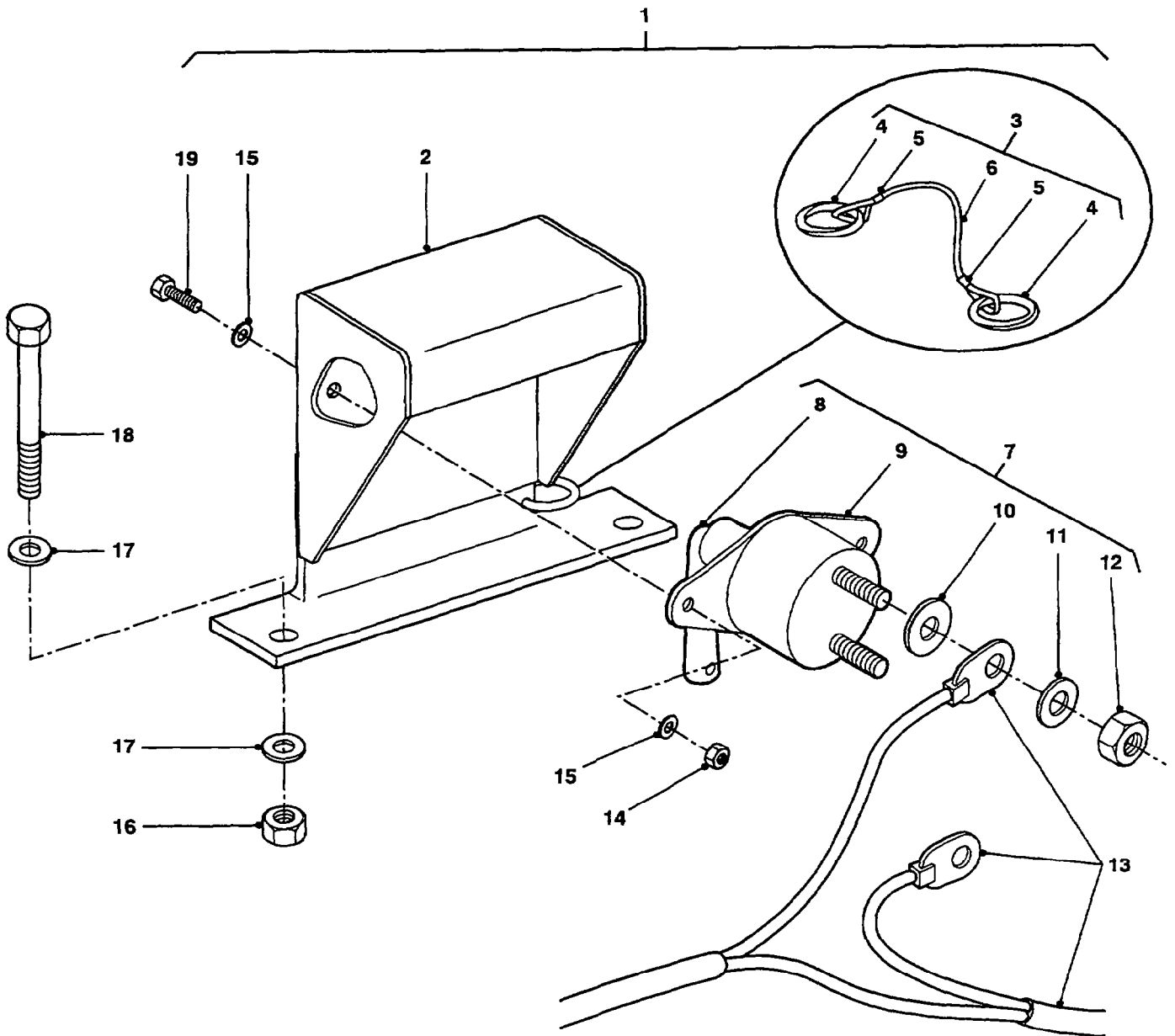
REPAIR PARTS SCALE: 02226

PAGE NO: 1

\* GRADE OF REPAIR (LIGHT, MEDIUM OR HEAVY)

# GROUP QBAA

02226



## ISOLATION SWITCH

## UNCONTROLLED WHEN PRINTED

GROUP QBAA  
TITLE ISOLATION SWITCH

ITEM NO	DESIGNATION	NSN MANUFACTURER CODE/PART NO SUPPLIER CODE/PART NO	NO OFF	U O	E X	L* M* H*
001	BATTERY ISOLATOR ASSEMBLY (INCLUDES QBAA 002, QBAA 003, QBAA 007, QBAA 014, QBAA 015 AND QBAA 019)	Z3522/008-694 Z3522/008-694	1			
002	BRACKET, BATTERY ISOLATOR (ALSO PART OF QBAA 001)	Z3522/008-695 Z5394/GYD695	1			
003	RETAINING CORD ASSEMBLY (INCLUDES QBAA 004 TO QBAA 006, ALSO PART OF QBA 001)	5340 66-144-8846 Z5394/HYG7731 Z5394/HYG7731	1	EA	X	LMH
004	RING, KEY, 30 MM DIA BY 2 MM (ALSO PART OF QBAA 003)	Z3522/008-526 Z3522/008-526	2			
005	CRIMPLINK (ALSO PART OF QBAA 003)	Z0220/H2043 Z0220/H2043	2			
006	RETAINING CORD, CABLE, 1/16 INCH 7 BY 7, 316 GRADE STAINLESS STEEL, 155 MM LG. (ALSO PART OF QBAA 003)	Z3522/008-084 Z3522/008-084	1			
007	SWITCH, LOCK MASTER, ELECTRICAL CIRCUIT (INCLUDES QBAA 008 TO QBAA 012, ALSO PART OF QBAA 001)	5930 66-036-6060 Z0645/4653 Z5394/HYM998	1	EA	A	LMH
008	KEY, BATTERY ISOLATOR (ALSO PART OF QBAA 007)	5930 66-144-8847 Z4653/4654 Z5394/HYM999	1	EA	X	LMH
009	SWITCH (USE QBAA 007)	/NIL /NIL	1			
010	WASHER, FLAT, M10 (USE QBAA 007)	/NIL /NIL	2			
011	WASHER, SPRING, M10 (USE QBAA 007)	/NIL /NIL	2			
012	NUT, PLAIN, M10 (USE QBAA 007)	/NIL /NIL	2			

ISSUE NO: 1

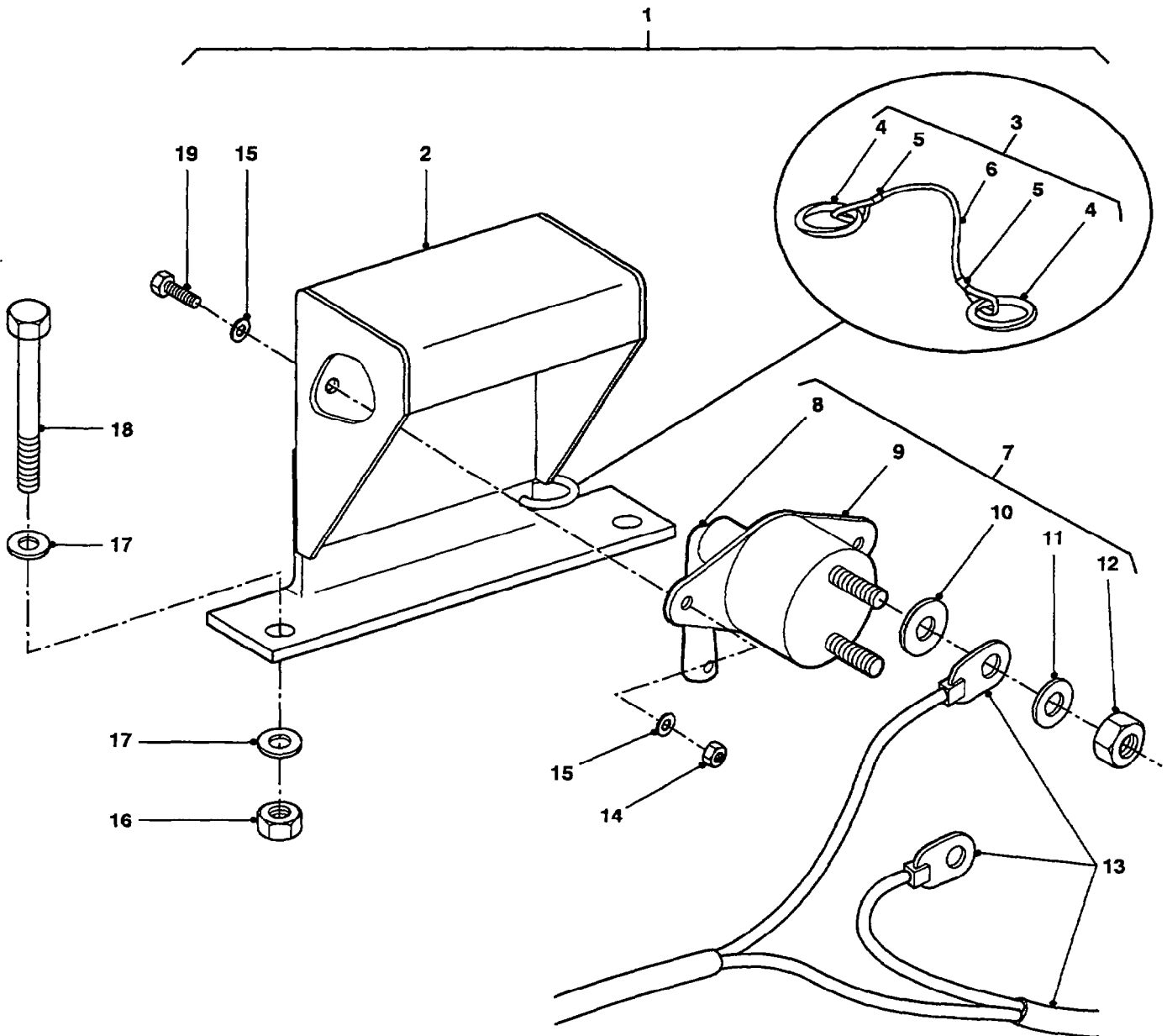
REPAIR PARTS SCALE: 02226

PAGE NO: 2

\* GRADE OF REPAIR (LIGHT, MEDIUM OR HEAVY)

# GROUP QBAA

# 02226



## ISOLATION SWITCH

## UNCONTROLLED WHEN PRINTED

GROUP QBAA  
 TITLE ISOLATION SWITCH

ITEM NO	DESIGNATION	NSN MANUFACTURER CODE/PART NO SUPPLIER CODE/PART NO	NO OFF	U O I	E X P	L* M* H*
013	WIRING LOOM, BATTERY	Z3522/008-655 Z5394/GYD655	1			
014	NUT, PLAIN, HEX, M6 (ALSO PART OF QBAA 001)	Z3522/008562-BA06 Z5394/NH106041L	2			
015	WASHER, FLAT, M6 (ALSO PART OF QBAA 001)	Z3522/008561-BD06 Z5394/WA106041L	2			
016	NUT, CONE LOCK, M10	Z5394/NV110041 Z5394/NV110041	2			
017	WASHER, FLAT STEEL, ANODISED, 31.5 MM OD, 10.0 MM ID, 2.4 MM THK WASHER	Z5394/WJ110001 Z5394/WJ110001	4			
018	BOLT, HEX HD, M10 BY 85 MM LG.	Z3522/008558-BO10085M Z5394/BH110171	2			
019	SCREW, HEX HD, M6 BY 20 MM LG. (ALSO PART OF QBAA 001)	Z3522/008559-B006025M Z5394/SH106201	2			

ISSUE NO: 1

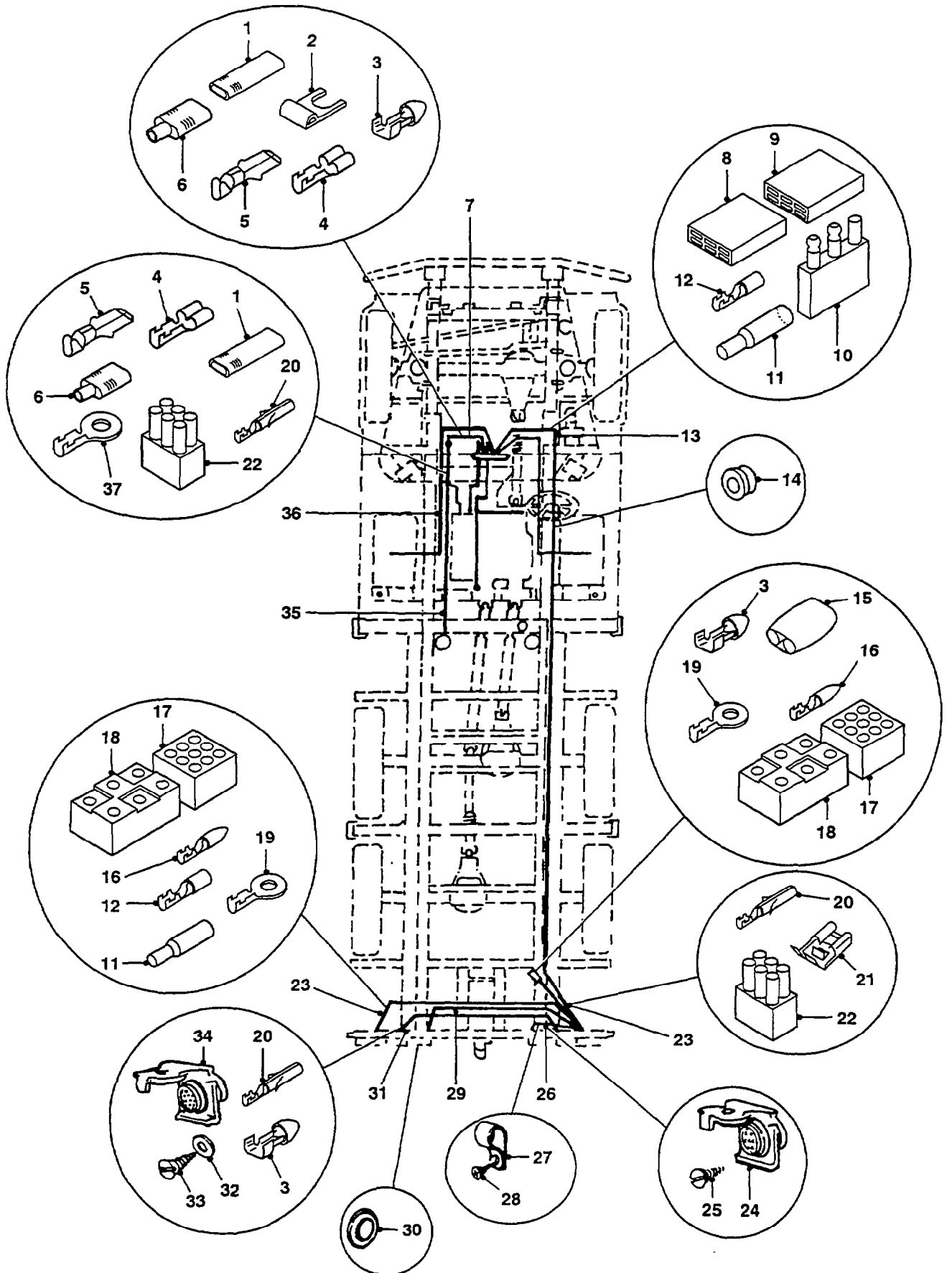
REPAIR PARTS SCALE: 02226

PAGE NO: 3

\* GRADE OF REPAIR (LIGHT, MEDIUM OR HEAVY)

# GROUP QL

# 02226



## REAR WIRING HARNESSES AND FITTINGS

## UNCONTROLLED WHEN PRINTED

GROUP QL  
 TITLE REAR WIRING HARNESSSES AND FITTINGS

ITEM NO	DESIGNATION	NSN MANUFACTURER CODE/PART NO SUPPLIER CODE/PART NO	NO OFF	U O	E X	L* M* H*
001	INSULATOR (ALSO PART OF QL 007 AND QL 035)	Z0220/H1135 Z5394/AYH9143	2			
002	TERMINAL (ALSO PART OF QL 007)	Z0220/H3504 Z0220/H3504	2			
003	FERRULE, ELECTRICAL CONDUCTOR BULLET, BRASS, CRIMP, 12.7 MM LG, 4.7 MM OD (ALSO PART OF QL 007, QL 013, QL 026, QL 029 AND QL 031)	5940 66-128-4737 Z0220/H2721 Z5394/MYH2565	8	EA	X	LMH
004	TERMINAL (ALSO PART OF QL 007 AND QL 035)	Z0220/H1972 Z5394/BYG9273	2			
005	TERMINAL (ALSO PART OF QL 007 AND QL 035)	Z0220/H1192 Z0220/H1192	2			
006	INSULATOR (ALSO PART OF QL 007 AND QL 035)	Z0220/H2089 Z5394/HYM1044	2			
007	HARNESS ASSEMBLY, MODULE BLACKOUT (INCLUDES QL 001 TO QL 006 AND QL 901 TO QL 904)	Z3522/008-619 Z5394/GYD619	1			
901	RELAY (ALSO PART OF QL 007, REFER QMA 011)	Z5394/YWB10032L Z5394/YWB10032L	1			
902	CONNECTOR, RECEPTACLE, ELECTRI CAL TERMINAL (ALSO PART OF QL 007)	Z0645/4973 Z5394/HYL9428	1			
903	FUSE (ALSO PART OF QL 007, REFER QMA 906)	U1030/RTC4503 Z5394/RTC4503	1			
904	FUSEHOLDER, BLOCK (ALSO PART OF QL 007)	5920 66-128-6033 Z0645/8718 Z5394/BYG9073	1	EA	X	LMH
008	CONNECTOR, 6 WAY, PVC, BLACK (USE QL 013)	/NIL /NIL	1			

ISSUE NO: 1

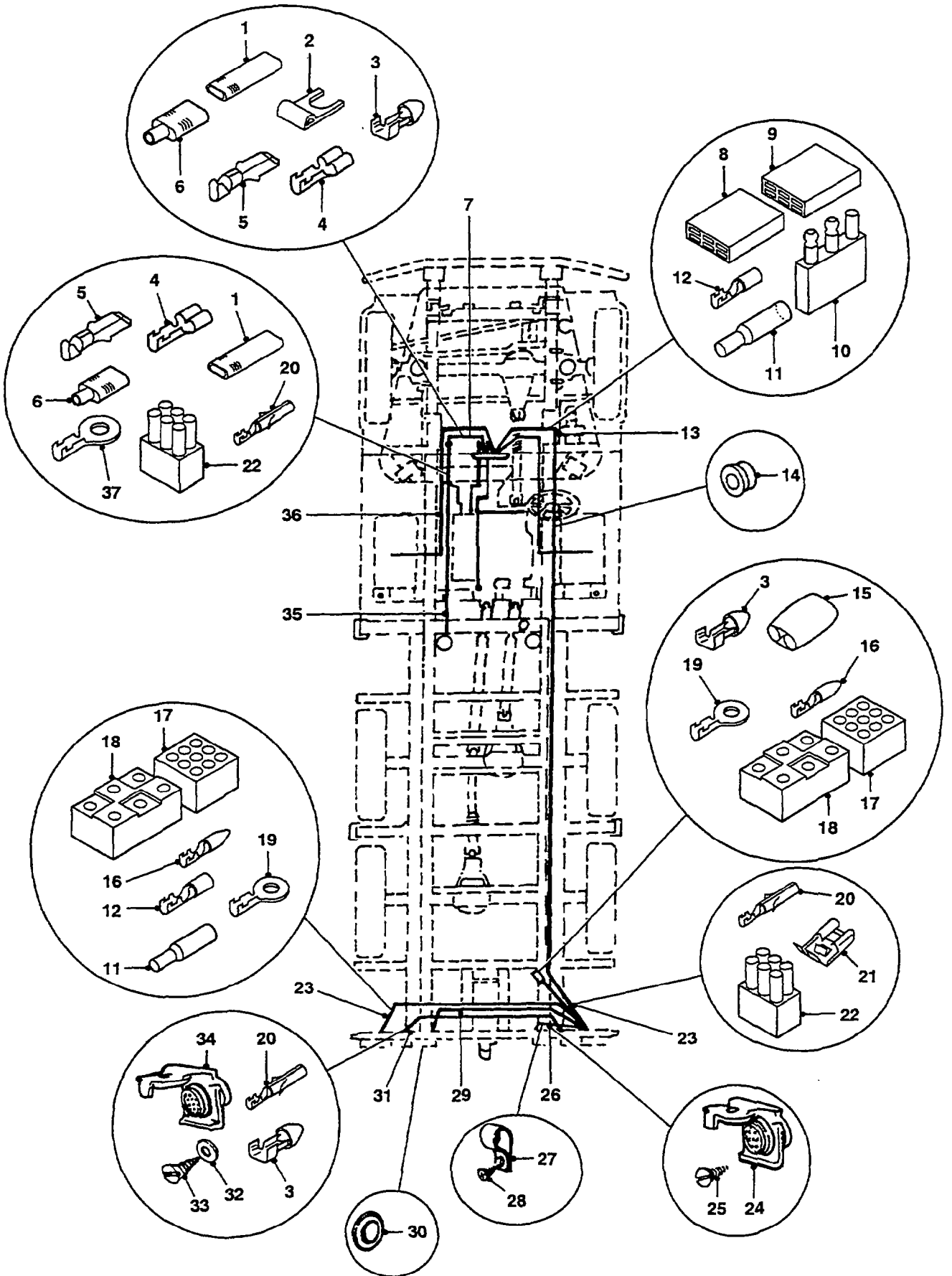
REPAIR PARTS SCALE: 02226

PAGE NO: 4

\* GRADE OF REPAIR (LIGHT, MEDIUM OR HEAVY)

# GROUP QL

# 02226



## REAR WIRING HARNESSES AND FITTINGS

## UNCONTROLLED WHEN PRINTED

GROUP QL  
TITLE REAR WIRING HARNESSSES AND FITTINGS

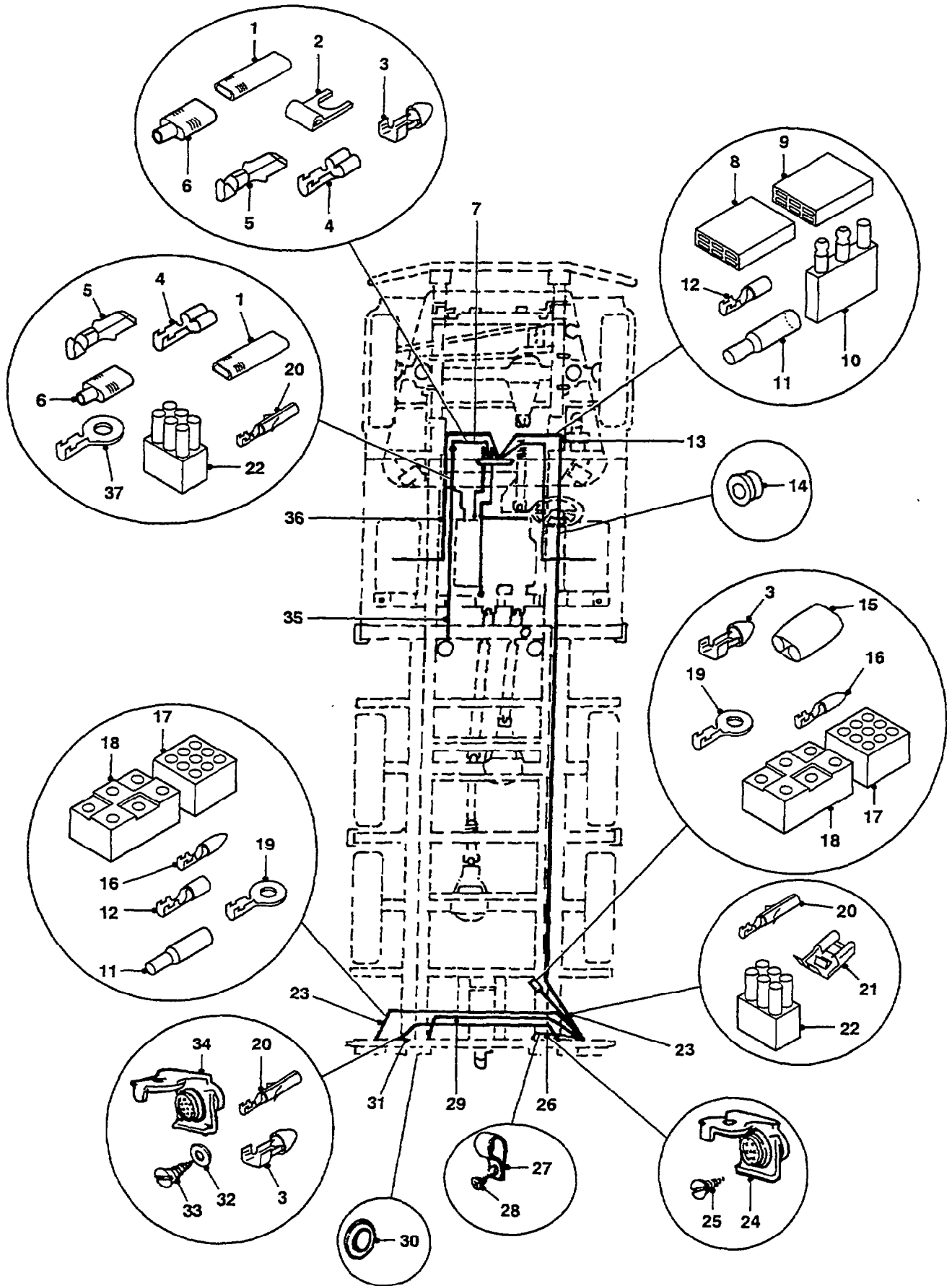
ITEM NO	DESIGNATION	NSN MANUFACTURER CODE/PART NO SUPPLIER CODE/PART NO	NO OFF	U O	E X	L* M* H*
009	CONNECTOR, 6 WAY, PVC, WHITE (USE QL 013)	/NIL /NIL	1			
010	CONNECTOR, BULLET, 3 WAY (USE QL 013)	/NIL /NIL	1			
011	INSULATION SLEEVING, ELECTRICAL, SPECIAL PURPOSE PVC, CLEAR, 33.0 MM LG., 4.6 MM OD INSULATOR (ALSO PART OF QL 013 AND QL 036)	Z0220/H2806 Z5394/AYG9120	4			
012	TERMINAL (ALSO PART OF QL 013 AND QL 036)	Z0220/H2740 Z0220/H2740	4			
013	HARNESS ASSEMBLY, CHASSIS (INCLUDES QL 003, QL 008 TO QL 012 AND QL 014 TO QL 019)	Z5394/BYG9394 Z5394/BYG9394	1			
014	GROMMET, NONMETALLIC RUBBER (ALSO PART OF QL 013)	5325 66-098-2816 U1030/589452 Z5394/R589452	2EA		X	LMH
015	TERMINAL, QUICK DISCONNECT (ALSO PART OF QL 013)	5940 66-036-8141 Z0220/H862 Z5394/AYH9037	1PK		X	LMH
016	TERMINAL (ALSO PART OF QL 013 AND QL 026)	Z0220/H9002 Z5394/HYM269	20			
017	CONNECTOR, 9 WAY, CLEAR PLASTIC CASE (ALSO PART OF QL 013)	Z0220/M3191-9PI Z5394/HYM265	2			
018	CONNECTOR, 6 WAY, CLEAR PLASTIC CASE (ALSO PART OF QL 013)	Z0220/M3191-6PI Z5394/HYM263	2			
019	TERMINAL, LUG SOLDERLESS, 1.218 IN.LG., 0.688 IN.W. , 0.313 IN.DIA.MTG HOLE TERMINAL (ALSO PART OF QL 013)	Z0220/H236E Z5394/BYG9132	2			
905	STRAP, TIEDOWN, ELECTRICAL COMPONENTS	5975 12-199-8964 Z3663/T50R Z5394/MYH1763	13EA		X	LMH

ISSUE NO: 1 REPAIR PARTS SCALE: 02226 PAGE NO: 5

\* GRADE OF REPAIR (LIGHT, MEDIUM OR HEAVY)

# GROUP QL

# 02226



## REAR WIRING HARNESSES AND FITTINGS

## UNCONTROLLED WHEN PRINTED

GROUP QL  
TITLE REAR WIRING HARNESSSES AND FITTINGS

ITEM NO	DESIGNATION	NSN MANUFACTURER CODE/PART NO SUPPLIER CODE/PART NO	NO OFF	U O	E X	L* M* H*
020	TERMINAL, PIN, PRE-PI, BRASS, 0.25 MM THK, 21.9 MM LG. (ALSO PART OF QL 013, QL 023, QL 031, QL 035 AND QL 036)	Z0220/H9001 Z5394/HYM268	28			
021	TERMINAL, QUICK DISCONNECT RECEPTACLE, CRIMP, BRASS, 6.3 MM LG (ALSO PART OF QL 023 AND QL 036)	5940 66-119-8561 Z0220/H1191 Z5394/AYK9152	10	EA	X	LMH
022	CONNECTOR, 6 WAY, CLEAR PLASTIC CASING (ALSO PART OF QL 023, QL 035 AND QL 036)	Z0220/M3191-6RI Z5394/HYM264	4			
023	CABLE ASSEMBLY, REAR LAMPS, 16/03 MM WIRE DIA, 600 MM LG. (INCLUDES QL 020 TO QL 022 AND QL 906)	Z5394/AYG9970 Z5394/AYG9970	2			
906	GROMMET, RUBBERISED (ALSO PART OF QL 023)	Z5394/BYG9001 Z5394/BYG9001	2			
024	SOCKET, TRAILER, 7 PIN (ALSO PART OF QL 026, REFER QM 007)	Z0220/H1715BK Z5394/HYM754	1			
025	SCREW, SELF TAPPING, RECESSED, COUNTERSUNK HD, 5/8 INCH DIA, 1-1/4 INCH	U1030/AC610101 Z5394/AC610101	3			
026	PLUG AND HARNESS ASSEMBLY, 7 PIN (INCLUDES QL 003, QL 016, QL 024 AND QL 907)	Z5394/AYG9967 Z5394/AYG9967	1			
907	CONNECTOR, 9 WAY, CLEAR PLASTIC CASING (ALSO PART OF QL 026 AND QL 031)	Z5394/M3191-9RI Z5394/M3191-9RI	2			
027	CLAMP, LOOP	5340 66-128-4546 Z5394/MYH2697 Z5394/MYH2697	6	EA	X	LMH
028	SCREW, SELF-DRILLING	Z2665/6-311-0038-5 Z5394/MYH3337	6			

ISSUE NO: 1

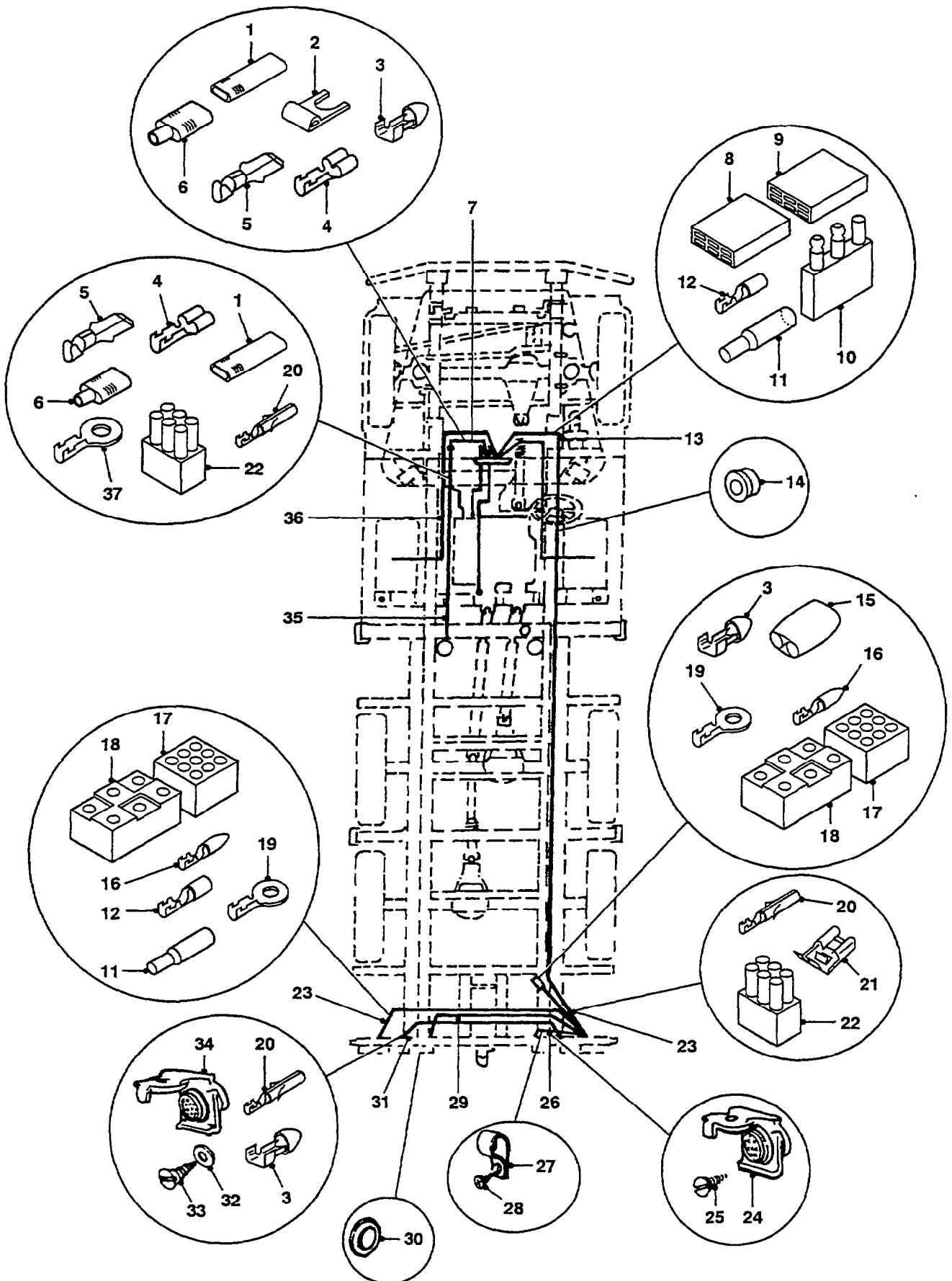
REPAIR PARTS SCALE: 02226

PAGE NO: 6

\* GRADE OF REPAIR (LIGHT, MEDIUM OR HEAVY)

# GROUP QL

# 02226



## REAR WIRING HARNESSES AND FITTINGS

## UNCONTROLLED WHEN PRINTED

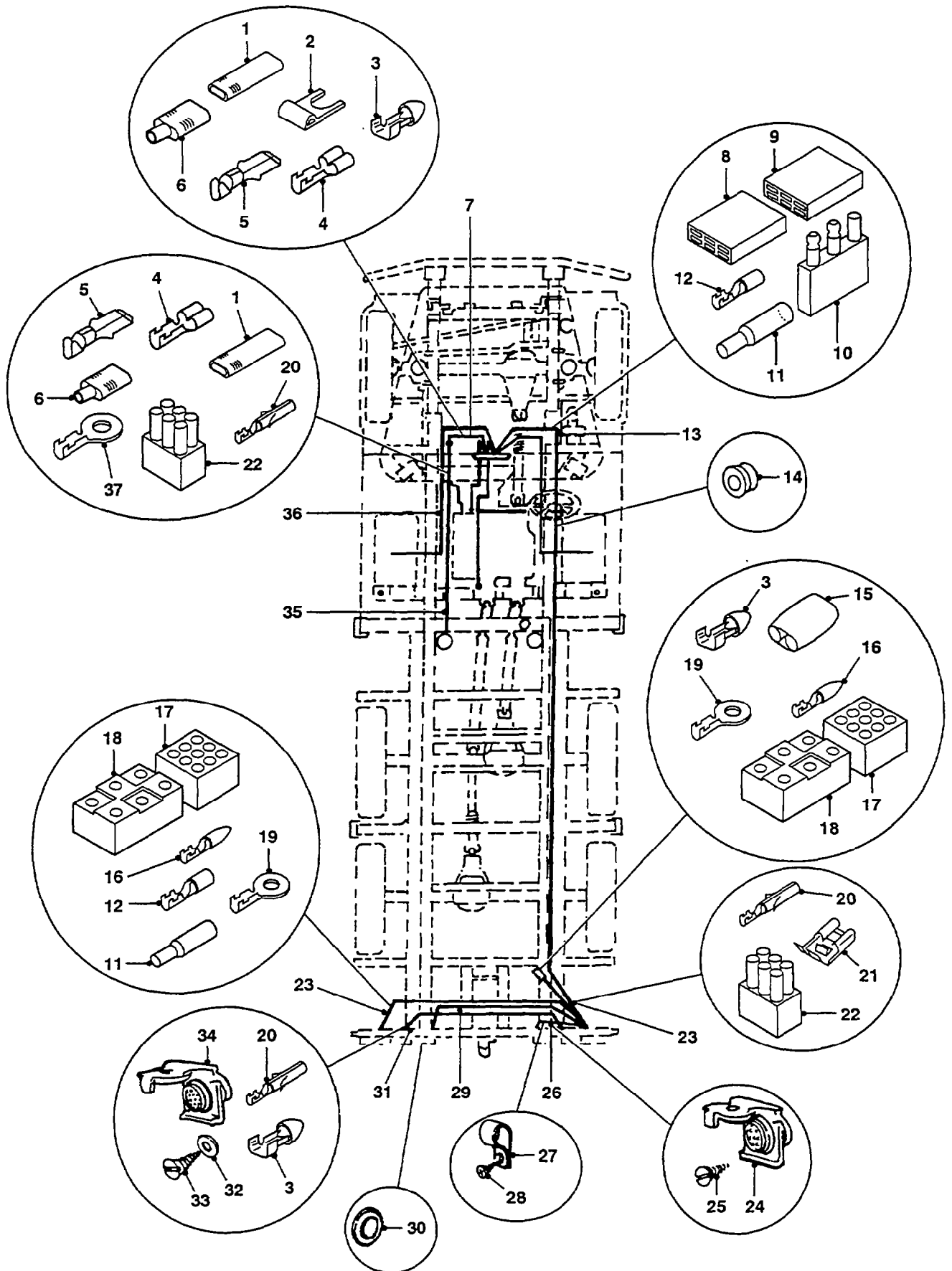
GROUP QL  
TITLE REAR WIRING HARNESSSES AND FITTINGS

ITEM NO	DESIGNATION	NSN MANUFACTURER CODE/PART NO SUPPLIER CODE/PART NO	NO OFF	U O I	E X P	L* M* H*
029	CABLE ASSEMBLY, BLACKOUT LIGHT EXTENSION, 800 MM LG, RED WITH YELLOW TRACER, (INCLUDES QL 003)	Z5394/AYG9577 Z5394/AYG9577	2			
030	PLUG, PROTECTIVE, DUST AND MOISTURE SEAL SELECTOR VALVE FIXTURE ACCESS PLUG	Z1397/BP-2 Z5394/MYH3206	2			
031	CABLE ASSEMBLY, NATO PLUG, 600 MM LG, 12 PIN (INCLUDES QL 003, QL 020, QL 907, QL 908 TO QL 913 AND QL 034)	Z5394/BYG9079 Z5394/BYG9079	1			
908	SHELL (ALSO PART OF QL 031)	34904/8338566 Z5394/AYG9988	2			
909	WASHER (ALSO PART OF QL 031)	34904/8338567 Z5394/AYG9989	2			
910	CONTACT (ALSO PART OF QL 031)	34904/MS27148-2 Z5394/AYG9990	2			
911	SHELL (ALSO PART OF QL 031)	34904/8338561 Z5394/AYG9984	2			
912	TERMINAL (ALSO PART OF QL 031)	34904/8338564 Z5394/AYG9985	2			
913	SLEEVE (ALSO PART OF QL 031)	34904/8338562 Z5394/AYG9987	2			
032	WASHER, LOCK SPRING STEEL, SINGLE TURN, RECTANGULAR SECTION, ZINC PLATED AND CHROMATED, 6 MM BOLT SIZE	5310 99-137-9232 U1030/WL106001L Z5394/WL106001L	4EA		X	LMH
033	SCREW, TAPPING THREAD FORMING, PAN HD, 6 MM DIA	5305 66-128-4597 Z5394/MYH3122 Z5394/MYH3122	4EA		X	LMH
034	CONNECTOR, RECEPTACLE, ELECTRICAL, 12 CONTACTS, C/W SPRING LOADED COVER (ALSO PART OF QL 031, REFER QM 007)	Z0645/9203 Z5394/HYG582	1			
ISSUE NO: 1 REPAIR PARTS SCALE: 02226			PAGE NO: 7			

\* GRADE OF REPAIR (LIGHT, MEDIUM OR HEAVY)

# GROUP QL

# 02226



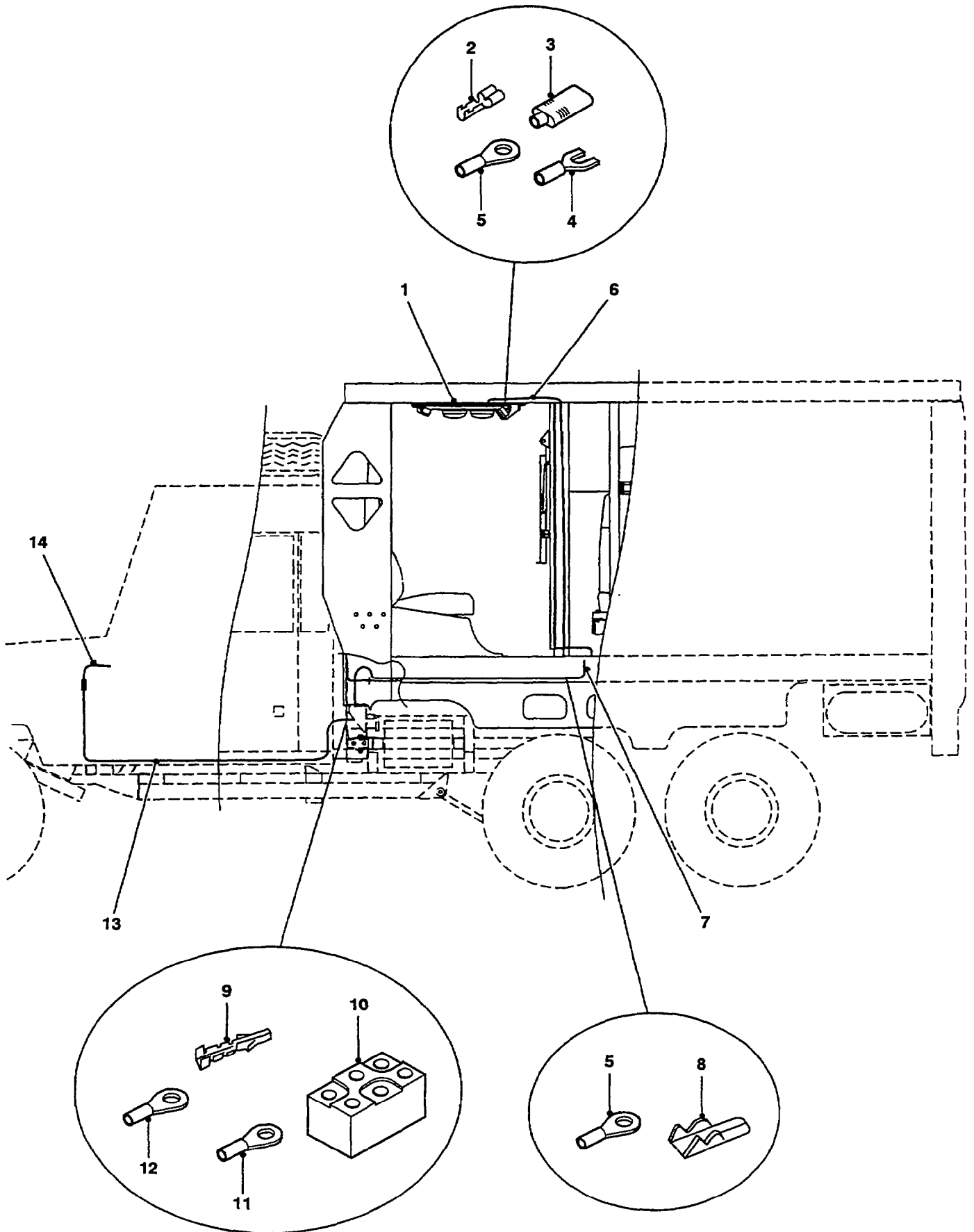
## REAR WIRING HARNESSES AND FITTINGS

## UNCONTROLLED WHEN PRINTED

GROUP QL  
 TITLE REAR WIRING HARNESSSES AND FITTINGS

ITEM NO	DESIGNATION	NSN MANUFACTURER CODE/PART NO SUPPLIER CODE/PART NO	NO OFF	U O I	E X P	L* M* H*
035	HARNESS ASSEMBLY, CAB TO MODULE, 3400 MM LG. (INCLUDES QL 001, QL 004 TO QL 006, QL 020, QL 022 AND QL 037)	Z3522/008-618 Z5394/GYD618	1			
036	HARNESS ASSEMBLY, FUEL TANKS (INCLUDES QL 011, QL 012, QL 020 TO QL 022, QL 914 AND QL 915)	Z5394/BYG9386 Z5394/BYG9386	1			
914	INSULATOR, TERMINAL, FLAG TYPE, PVC, CLEAR, 17.1 MM LG, 11.2 MM W. (ALSO PART OF QL 036)	Z0220/H2791 Z0220/H2791	2			
915	CONNECTOR, 9 WAY, CLEAR PLASTIC CASING (ALSO PART OF QL 036)	Z5394/AYG9703 Z5394/AYG9703	1			
037	TERMINAL (ALSO PART OF QL 007)	Z0220/H430 Z5394/HYM965	1			
ISSUE NO: 1 REPAIR PARTS SCALE: 02226			PAGE NO: 8			

\* GRADE OF REPAIR (LIGHT, MEDIUM OR HEAVY)



## UNCONTROLLED WHEN PRINTED

GROUP QLB/1  
 TITLE WIRING HARNESSSES - COMMAND POST

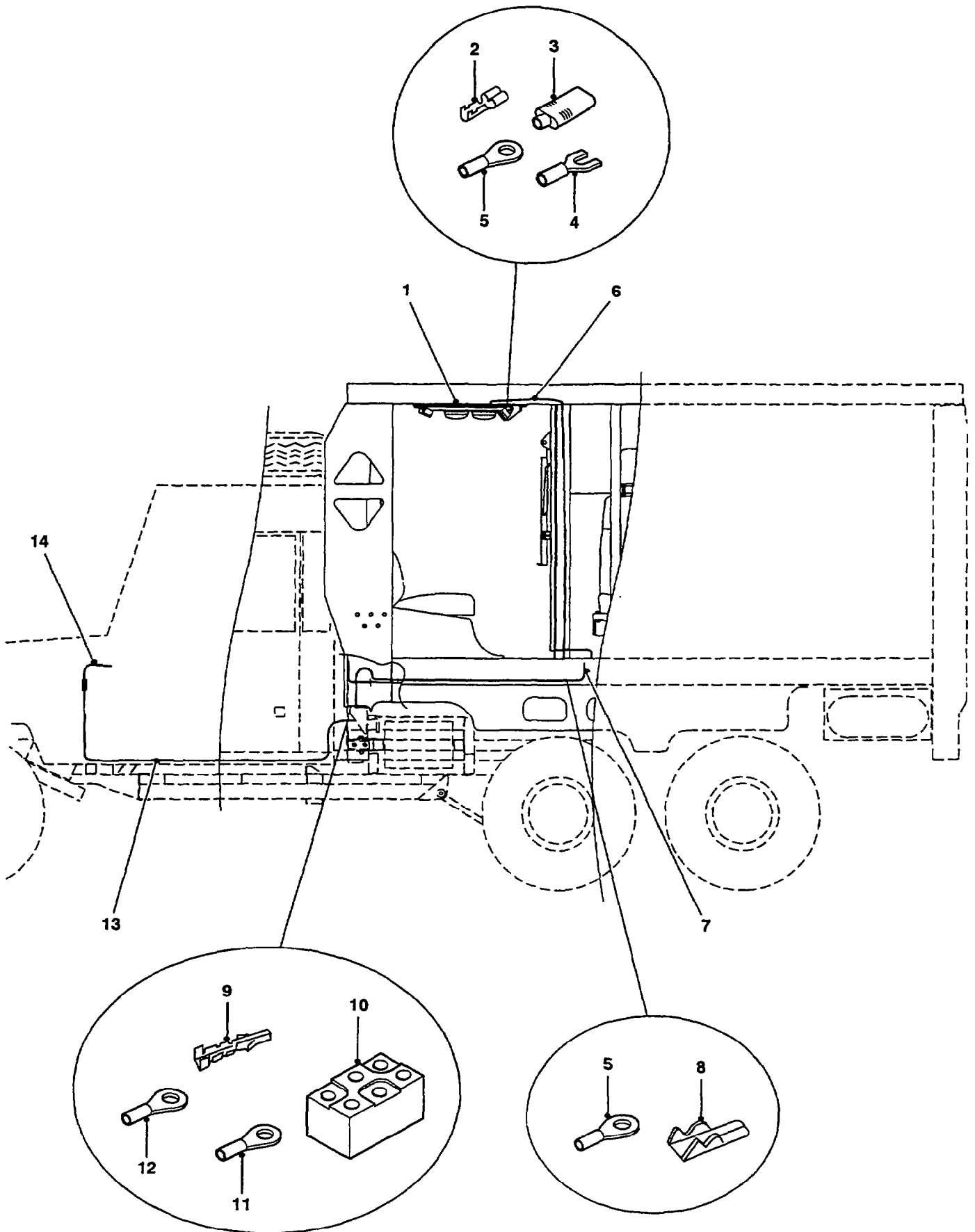
ITEM NO	DESIGNATION	NSN MANUFACTURER CODE/PART NO SUPPLIER CODE/PART NO	NO	U	E	L*
			OFF	O	X	M*
			I	P	H	H*
001	LOOM, CONSOLE, INTERNAL, 510 MM LG. (INCLUDES QLB 002 TO QLB 005)	Z3522/008-654 Z5394/GYD654	1			
901	TERMINAL, SPLICE (ALSO PART OF QLB 001, QLB 006 AND QLB 007)	Z0220/H29116 Z0220/H29116	13			
902	TAPE, PVC, BLACK (ALSO PART OF QLB 001, QLB 006 AND QLB 007)	Z1L33/494-225 Z1L33/494-225	1			
002	TAB, RECEPTACLE (ALSO PART OF QLB 001)	Z0220/H1972 Z5394/BYG9273	1			
003	INSULATOR (ALSO PART OF QLB 001)	Z0220/H2799 Z0220/H2799	1			
004	LUG, SLOTTED (ALSO PART OF QLB 001)	Z1L33/447-998 Z1L33/447-998	3			
005	TERMINAL, RING, CRIMP, M5, BLUE (ALSO PART OF QLB 001, QLB 006 AND QLB 007)	Z0220/RVI-5 Z0220/RVI-5	3			
006	LOOM, MAIN (INCLUDES QLB 005, QLB 008, QLB 015 TO QLB 024 AND QLB 901 TO QLB 905)	Z3522/008-653 Z5394/GYD653	1			
903	CONDUIT, NYLON, FLEX, OD 13 MM, ID 10 MM, 750 MM LG. (ALSO PART OF QLB 006 AND QLB 007, USE AS REQUIRED)	Z1W84/NC12 Z1W84/NC12	1			
904	HEAT SHRINK, 4.8 MM, BLACK (ALSO PART OF QLB 006)	Z1L33/666-880 Z1L33/666-880	1			
905	CONDUIT, NYLON, FLEX, OD 16 MM, 13 MM ID, 2400 MM (ALSO PART OF QLB 006, USE AS REQUIRED)	Z1W84/NC16 Z1W84/NC16	1			
007	LOOM, POWER SUPPLY, 2610 MM LG. (INCLUDES QLB 005, QLB 008 TO QLB 012, QLB 901 TO QLB 903 AND QLB 906)	Z3522/008-651 Z5394/GYD651	1			

ISSUE NO: 1

REPAIR PARTS SCALE: 02226

PAGE NO: 9

\* GRADE OF REPAIR (LIGHT, MEDIUM OR HEAVY)



**WIRING HARNESSSES - COMMAND POST** A

## UNCONTROLLED WHEN PRINTED

GROUP QLB/1  
TITLE WIRING HARNESES - COMMAND POST

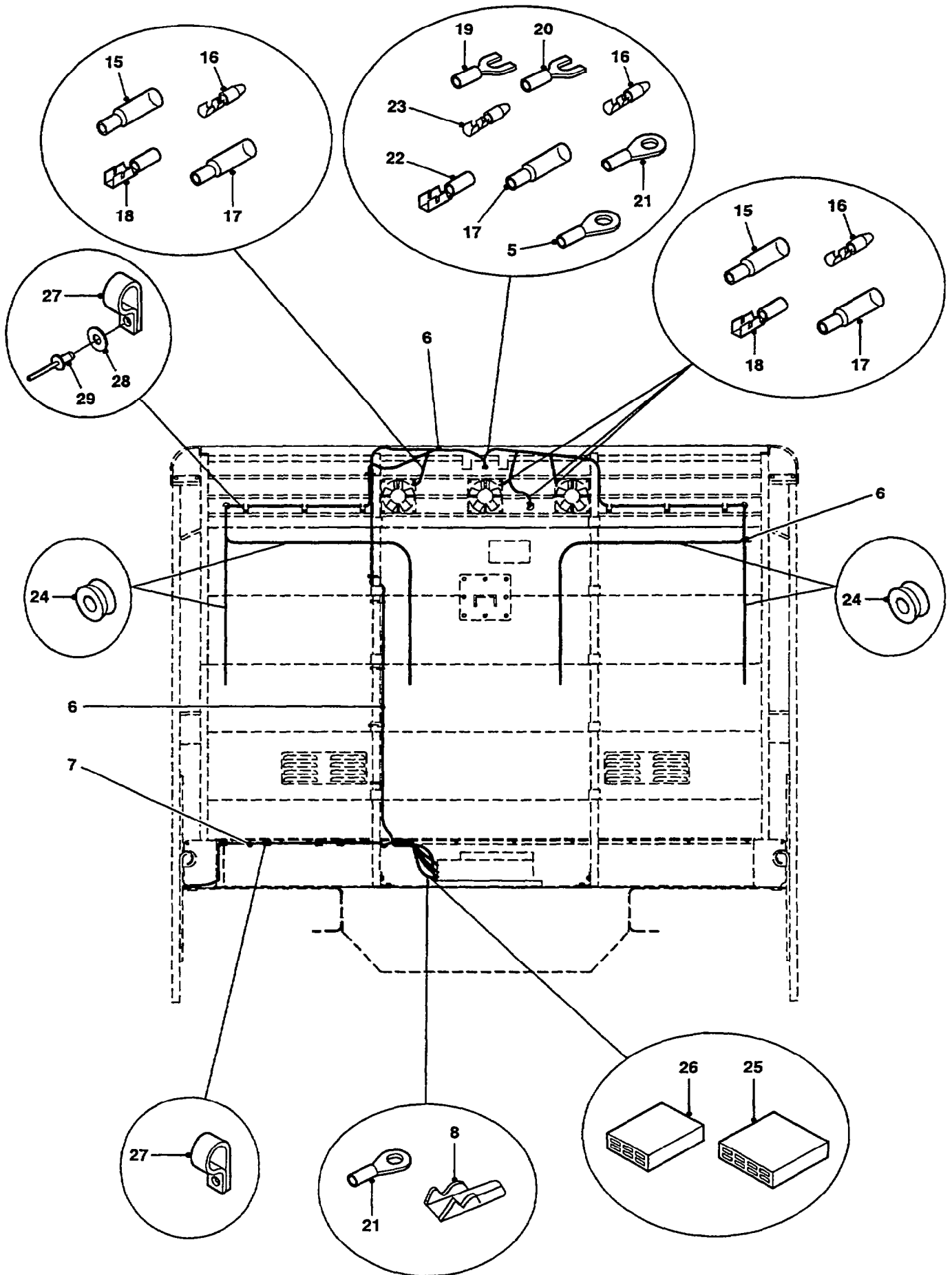
ITEM NO	DESIGNATION	NSN MANUFACTURER CODE/PART NO SUPPLIER CODE/PART NO	NO OFF	U O	E X	L* M* H*
906	HEAT SHRINK, 6.4 MM, BLACK (ALSO PART OF QLB 907)	Z1W84/398-183 Z1W84/398-183	1			
008	TERMINAL, BLADE (ALSO PART OF QLB 006 AND QLB 007)	Z0220/H2832ET Z0220/H2832ET	3			
009	TERMINAL (ALSO PART OF QLB 007)	Z0220/H9002 Z5394/HYM269	2			
010	PLUG, 6 PIN (ALSO PART OF QLB 007)	Z0220/M3191-6PI Z5394/HYM263	1			
011	TERMINAL, CRIMP, M10 (ALSO PART OF QLB 007)	Z0220/H4129 Z0220/H4129	1			
012	TERMINAL, RING, CRIMP, M6, BLUE (ALSO PART OF QLB 007)	Z0220/RV2-6 Z0220/RV2-6	1			
013	HARNESS ASSEMBLY, CAB TO MODULE, 3400 MM LG. (REFER QL 035)	Z3522/008-618 Z5394/GYD618	1			
014	HARNESS ASSEMBLY, MODULE BLACKOUT (REFER QL 007)	Z3522/008-619 Z5394/GYD619	1			

ISSUE NO: 1

REPAIR PARTS SCALE: 02226

PAGE NO: 10

\* GRADE OF REPAIR (LIGHT, MEDIUM OR HEAVY)



## UNCONTROLLED WHEN PRINTED

GROUP QLB/2  
 TITLE WIRING HARNESSSES - COMMAND POST

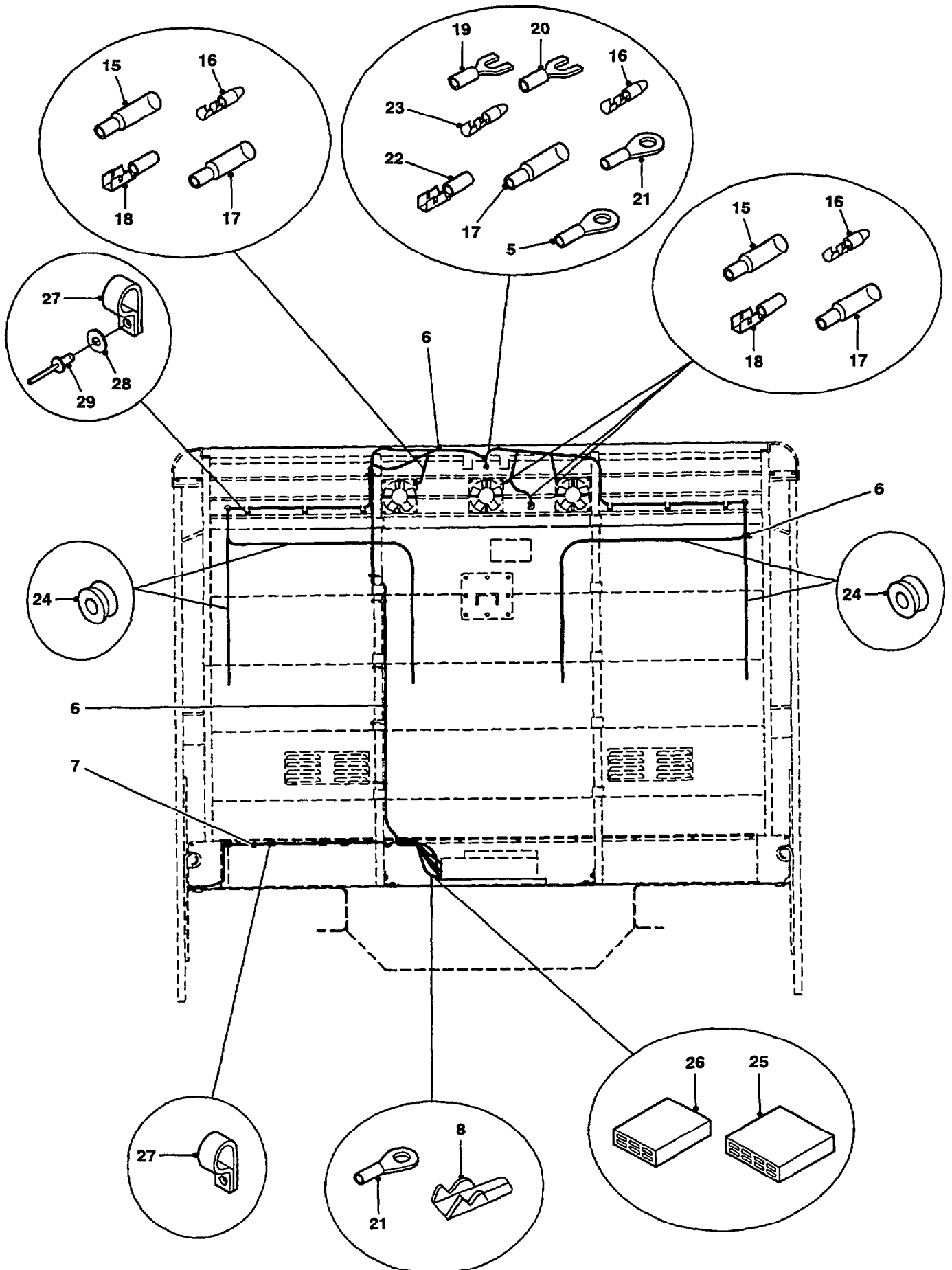
ITEM NO	DESIGNATION	NSN MANUFACTURER CODE/PART NO SUPPLIER CODE/PART NO	NO OFF	U O	E X	L* M* H*
015	INSULATOR (ALSO PART OF QLB 006)	Z0220/H2806 Z5394/AYG9120	7			
016	CONNECTOR, BULLET (ALSO PART OF QLB 006)	Z0220/H2782 Z5394/AYB9256	4			
017	INSULATOR (ALSO PART OF QLB 006)	Z0220/H2805 Z5394/AYG9936	4			
018	RECEPTACLE, BULLET (ALSO PART OF QLB 006)	Z0220/H2743 Z5394/HYM964	4			
019	LUG, SLOTTED, RED (ALSO PART OF QLB 006)	Z1L33/110-365 Z1L33/110-365	1			
020	LUG, SLOTTED, BLUE (ALSO PART OF QLB 006)	Z1L33/110-387 Z1L33/110-387	1			
021	TERMINAL, RING, CRIMP, M5, BLUE (ALSO PART OF QLB 006)	Z0220/RVS2-5 Z0220/RVS2-5	3			
022	RECEPTACLE, PIN (ALSO PART OF QLB 006)	Z0220/H1874 Z0220/H1874	3			
023	TERMINAL, BULLET (ALSO PART OF QLB 006)	Z0220/H2721 Z5394/MYH2565	2			
024	GROMMET, RUBBER, 1/4 INCH ID, 3/8 INCH OD (ALSO PART OF QLB 006)	Z0421/8A Z0421/8A	4			
025	RECEPTACLE, 8 WAY	Z0220/H3227-8 Z0220/H3227-8	1			
026	RECEPTACLE, 6 WAY	Z0220/H3325-6 Z0220/H3325-6	1			
027	P-CLIP (USE EXISTING FASTENERS TO SECURE CLIPS ON PARTITION LOWER PANEL)	ZV732/CP104121 Z5394/CP104121	15			

ISSUE NO: 1

REPAIR PARTS SCALE: 02226

PAGE NO: 11

\* GRADE OF REPAIR (LIGHT, MEDIUM OR HEAVY)



WIRING HARNESSSES - COMMAND POST A

## UNCONTROLLED WHEN PRINTED

GROUP QLB/2  
 TITLE WIRING HARNESSSES - COMMAND POST

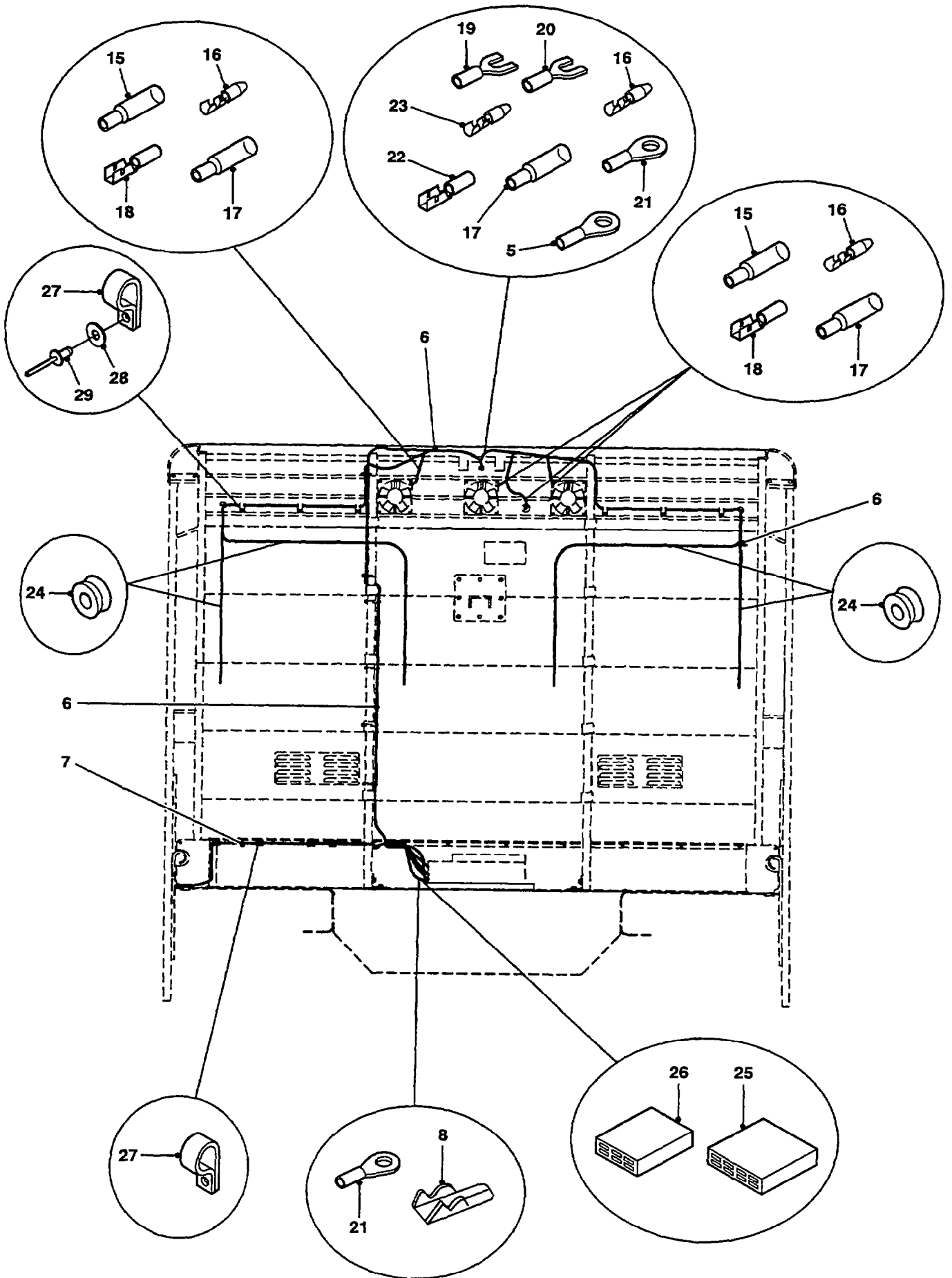
ITEM NO	DESIGNATION	NSN MANUFACTURER CODE/PART NO SUPPLIER CODE/PART NO	NO OFF	U O	E X	L* M* H*
028	WASHER, FLAT, M5	Z3522/008561-AB050000 Z5394/WC105004	6			
029	RIVET, DOMED HEAD, SEALED, 4.8 MM BY 10 MM LG.	ZL110/73TA66 Z5394/RA612253	6			
907	CABLE TIE, PLASTIC, 400 MM LG, BLACK	Z5394/MYH1940 Z5394/MYH1940	8			
908	WIRE, 3 SQUARE MM BY 19/0.45, BLACK, PVC INSULATED, BULK LG. (USE AS REQUIRED)	ZR755/8605055033 ZR755/8605055033	1			
909	WIRE, 1.2 SQUARE MM BY 17/0.30, RED, PVC INSULATED, BULK LG. (USE AS REQUIRED)	ZR755/8605055012 ZR755/8605055012	1			
910	WIRE, 1.2 SQUARE MM BY 17/0.30, GREEN, PVC INSULATED, BULK LG. (USE AS REQUIRED)	ZR755/8605055009 ZR755/8605055009	1			
911	WIRE, 1.2 SQUARE MM BY 17/0.30, WHITE, PVC INSULATED, BULK LG. (USE AS REQUIRED)	ZR755/8605055014 ZR755/8605055014	1			
912	WIRE, 1.2 SQUARE MM BY 17/0.30, YELLOW PVC INSULATED, BULK LG. (USE AS REQUIRED)	ZR755/8605055015 ZR755/8605055015	1			
913	WIRE, 1.2 SQUARE MM BY 17/0.30, GREEN-WHITE, PVC INSULATED, BULK LG. (USE AS REQUIRED)	ZR755/8605055027 ZR755/8605055027	1			
914	WIRE, 1.2 SQUARE MM BY 17/0.30, BLUE- WHITE, PVC INSULATED, BULK LG. (USE AS REQUIRED, REFER WE 915)	ZR755/8605055025 ZR755/8605055025	1			
915	WIRE, 3 SQUARE MM BY 19/0.45, PURPLE-WHITE, PVC INSULATED, BULK LG. (USE AS REQUIRED)	ZR755/8605055034 ZR755/8605055034	1			

ISSUE NO: 1

REPAIR PARTS SCALE: 02226

PAGE NO: 12

\* GRADE OF REPAIR (LIGHT, MEDIUM OR HEAVY)



UNCONTROLLED WHEN PRINTED

GROUP QLB/2  
 TITLE WIRING HARNESSSES - COMMAND POST

ITEM NO	DESIGNATION	NSN MANUFACTURER CODE/PART NO SUPPLIER CODE/PART NO	NO OFF	U O I	E X P	L* M* H*
916	WIRE, 1.2 SQUARE MM BY 17/0.30, GREEN-ORANGE, PVC INSULATED, BULK LG. (USE AS REQUIRED)	ZR755/8605055024 ZR755/8605055024	1			
917	WIRE, 1.2 SQUARE MM BY 17/0.30, BLACK, PVC INSULATED, BULK LG. (USE AS REQUIRED, REFER WE 914)	ZR755/8605055005 ZR755/8605055005	1			

\* GRADE OF REPAIR (LIGHT, MEDIUM OR HEAVY)

**GROUP SGD SHEET 1** **02226**

**JACKING PROCEDURE** HYG 1764

**DUE TO THE FITMENT OF A TRANSMISSION HANDBRAKE TO THIS VEHICLE, THE JACKING PROCEDURE MUST BE FOLLOWED BEFORE JACKING ANY WHEEL CLEAR OF THE GROUND.**

1. APPLY HANDBRAKE.
2. ENGAGE DIFFERENTIAL LOCK (WARNING LIGHT WILL ILLUMINATE).
3. SELECT 1ST GEAR - LOW RANGE.
4. CHOCK BOTH SIDES OF WHEEL FURTHEST FROM WHEEL BEING RAISED.
5. SLACKEN WHEEL NUTS (5).
6. FRONT WHEELS: POSITION JACK UNDER AXLE CASING IMMEDIATELY BELOW ROAD SPRING BETWEEN END FLANGE AND SUSPENSION BRACKET.  
REAR WHEELS: POSITION JACK UNDER AXLE CASING IMMEDIATELY BELOW ROAD SPRING NEAR DAMPER.
7. REPLACE WHEEL AND TIGHTEN NUTS.
8. LOWER VEHICLE.
9. TORQUE NUTS: 100-115 Nm (75-85 lb. ft.).
10. DISENGAGE DIFFERENTIAL LOCK BEFORE MOVING OFF.

**TRUCK MORTAR CARRIER LIGHT**

**FFR WINCH MC2**

**SIGC** **2320-0158**

**MANUFACTURER** **ROVER AUST LTD**

**MODEL No** **LAND ROVER 110 6x6**

**CAPO No** [ ]

**DELIVERED** [ ] ↑

**MANUFACTURERS V.I.N.** [ ]

**TOWING AND DYNO TEST DATA**

**FLAT AND LIFT TOWING - DISTANCE UNDER 200 KM**

- ... SET GEARBOX AND TRANSFER CASE IN NEUTRAL.
- ... SET TRANSFER BOX CONTROL SWITCH IN "ON-ROAD" POSITION.
- ... ENSURE DIFF LOCK & 6WD WARNING LIGHT ARE NOT ILLUMINATED.

---

**FOR DISTANCE OVER 200 KM**

**REMOVE PROPELLER SHAFTS AND REPEAT ABOVE**

**DYNO TEST ON FRONT AXLE**

- ... REMOVE PROPELLER SHAFTS FROM BOTH REAR AXLES.
- ... SET TRANSFER BOX CONTROL SWITCH TO "CROSS COUNTRY".
- ... ENSURE DIFF LOCK WARNING LIGHT IS ILLUMINATED.

**HYG 2081**



**SHIPPING DATA** HYG 1738



**IDENTIFICATION AND INSTRUCTION LABELS**

## UNCONTROLLED WHEN PRINTED

GROUP SGD/1

TITLE IDENTIFICATION AND INSTRUCTION LABELS

ITEM NO	DESIGNATION	NSN MANUFACTURER CODE/PART NO SUPPLIER CODE/PART NO	NO OFF	U O	E X	L* M* H*
001	PLATE, INSTRUCTION JACKING PROCEDURE	9905 66-128-4965 Z5394/HYG1764 Z5394/HYG1764	1	EA	X	LMH
002	PLATE, NOMENCLATURE, 78 MM BY 103 MM, 1.4 MM THK, ALUMINIUM, BLACK BACKGROUND	Z5394/HYG6594 Z5394/HYG6594	1			
901	RIVET, POP, 1/8 INCH DIA, 1-1/16 INCH LG, MONEL. (USED TO SECURE SGD 002, SGD 003, SGD 005, SGD 006, SGD 010, SGD 013 AND SGD 023)	U1030/RA608176 Z5394/RA608176	26			
003	PLATE, TOWING AND DYNO, TEST DATA, ANODISED ALUMINIUM, 97 MM BY 190 MM, 0.5 MM THK, MATT SILVER DETAILS ON MATT BACKGROUND (USE SGD 901 TO SECURE)	Z5394/HYG2951 Z5394/HYG2951	1			
004	PLATE, INSTRUCTION 12 V, TRAILER SOCKET	9905 66-128-4967 Z5394/AYG9788 Z5394/AYG9788	1	EA	X	LMH
005	PLATE, SHIPPING DATA, 90 MM BY 190 MM, 0.5 MM THK, MATT SILVER DETAILS ON MATT BLACK BACKGROUND (USE SGD 901 TO SECURE)	Z5394/HYG1738 Z5394/HYG1738	1			
006	PLATE, C OF G, 38 MM BY 76 MM, 0.5 MM THK, ALUMINIUM, SILVER DETAILS ON BLACK BACKGROUND (USE SGD 901 TO SECURE)	Z5394/HYG0493 Z5394/HYG0493	1			

ISSUE NO: 1

REPAIR PARTS SCALE: 02226

PAGE NO: 14

\* GRADE OF REPAIR (LIGHT, MEDIUM OR HEAVY)

**GROUP SGD SHEET 2** **02226**

**INLINE FUSES**  
(LOCATED UNDER ASHTRAY ON DASH)      (LOCATED UNDER CENTRE DASH COVER)

<p><b>TWIN FUEL TANK VALVE</b></p> <p><b>CIGAR LIGHTER</b></p> <p><b>SIREN (AMBULANCE ONLY)</b></p>	<p><b>INSTRUMENT DIMMER SWITCH</b></p> <p><b>INSPECTION LIGHT SOCKET</b></p>

BYG 0119

**IMPORTANT**

THE ENGINE SHOULD BE ALLOWED TO OPERATED AT IDLE SPEED FOR 6 TO 10 SECONDS IMMEDIATELY AFTER START-UP & BEFORE SHUT DOWN.

CARE SHOULD BE TAKEN NOT TO OPERATE THE VEHICLE ON SEALED ROADS WITH THE TRANSFER BOX CONTROL SWITCH IN THE CROSS COUNTRY POSITION.

THE TRANSFER BOX CONTROL SWITCH CAN BE ENGAGED OR DISENGAGED WHILE THE VEHICLE IS MOVING. THE ACCELERATOR SHOULD BE RELEASED MOMENTARILY WHILE ACTIVATING THE SWITCH.

CHANGES FROM HIGH TO LOW RANGE OR FROM LOW BACK TO HIGH RANGE SHOULD ONLY BE MADE WHILE THE VEHICLE IS STATIONARY.

HYG 2000

**AMR 3772**

1	2	3	4	5	6	7	8	9 SPARE	10
15A	20A	15A	15A	15A	3A	5A	15A		7,5A
7,5A	7,5A	7,5A	7,5A	5A	5A	3A	20A	10A	3A
11	12	13	14	15	16	17	18 AUX	19	20



**SERVICING DATA** HYG 4888

COLD TYRE PRESSURES (kPa)	HIGHWAY			CROSS COUNTRY	SAND
	FRONT	REAR			
		350	275	275	225
		350			225

LUBRICATION - NORMAL OR TYPICAL TEMPERATURES

ENGINE	OMD 115	MASTER CYLS	OX (AUST.) 8
GEARBOX	OMD 115	MANUAL STG. BOX	OEP 220
TRANSFER BOX	OMD 115	POWER STG. BOX	OX46 OR OX47
AXLES	OMD 220	LUBE NIPPLES	X13274
SWIVEL PIN H'SING	OMD 220	WINCH	OEP 220

ELECTRICAL - 12 VOLT NEGATIVE TO EARTH SYSTEM

**BRAKE SYSTEM**

**WARNING: CLEAN BOTTLE FILLER CAP BEFORE REMOVING. USE ONLY BRAKE FLUID FROM A SEALED CONTAINER. THIS FLUID MUST MEET THE REQUIREMENTS OF FMV 88 118 DOT 3 OR SAE J1703.**

**IDENTIFICATION AND INSTRUCTION LABELS**

## UNCONTROLLED WHEN PRINTED

GROUP SGD/2  
 TITLE IDENTIFICATION AND INSTRUCTION LABELS

ITEM NO	DESIGNATION	NSN MANUFACTURER CODE/PART NO SUPPLIER CODE/PART NO	NO OFF	U O	E X	L* M* H*
007	LABEL, 220 MM BY 50 MM, WHITE ON BLACK MYLAR, SELF ADHESIVE	Z5394/BYG9416 Z5394/BYG9118	1			
008	PLATE, INSTRUCTION ENGINE AND TRANSFER BOX INSTRUCTION (USE SGD 902 TO SECURE)	9905 66-128-5847 Z5394/HYG2950 Z5394/HYG2950	1EA		X	
902	RIVET, BLIND ALUMINIUM ALLOY, DOME HD, MECH EX TYPE , 3/16 IN.DIA, 7/16 IN.LG (USED TO SECURE SGD 008)	5320 99-970-3518 U1030/78248 Z5394/R78248	4EA		X	LMH
009	PLATE, INSTRUCTION FUSES	Z5394/AMR3772 Z5394/AMR3772	1			
010	PLATE, INSTRUCTION STAMPED, DIESEL FUEL, ALUMINIUM ALLOY , 0.6 MM THK	9905 66-128-4521 U1030/502951 Z5394/R502951	2EA		X	LMH
011	LABEL, HEATER CONTROLS	Z5394/HYG3510 Z5394/HYG3510	1			
012	PLATE, INSTRUCTION BRAKE FLUID WARNING LABEL	9905 66-128-5280 Z5394/HYJ122 Z5394/HYJ122	1EA		X	LMH
013	PLATE, SERVICING DATA, 78 MM BY 190 MM, 0.5 MM THK, SILVER DETAIL ON BLACK BACKGROUND (USE SGD 901 TO SECURE)	Z5394/HYG4888 Z5394/HYG4888	1			

ISSUE NO: 1

REPAIR PARTS SCALE: 02226

PAGE NO: 15

\* GRADE OF REPAIR (LIGHT, MEDIUM OR HEAVY)

**MAX ROOF LOAD  
3 CAMNETS  
AND POLES**

14

15

THIS ENGINE COOLING SYSTEM IS PROTECTED WITH

**ALFLOC 2001**

THE LONG LIFE CORROSION INHIBITOR FOR ALUMINUM ALLOY OR CAST IRON ENGINES

DO NOT USE ALUMINUM OR UNFINISHED TOP UP FLUID

RECOMMENDED DOSAGE RATE - 80 ml ALFLOC 2001 PER LITRE (3.25 gal) COOLING SYSTEM CAPACITY

Made By CATOLEUM PTY. LTD.

**Cyclopac Air Cleaner**

Service Instructions (See Owner's Manual for detailed instructions)

1. Service element only when restriction reaches allowable limit.
2. Wipe inside of air cleaner with damp cloth
3. Inspect gaskets, system, and tighten clamps
4. Check replacement element for any damage.

**DO NOT OVERSERVICE ELEMENT**

Donaldson			
	Air Cleaner	Main Element	Safety Element
Customer			

Made by Donaldson Australasia Pty. Limited Woyang N.S.W.

16

**DIMMER**

NORMAL

REDUCED

ALX POWER

OFF

MAX

HYG 3294

17

IN - OFF-ROAD  
OUT - CROSS COUNTRY

L.H. TANK

R.H. TANK

FUEL SELECTOR

TRANSFER BOX CONTROL

HYG 2059

18

**IDENTIFICATION AND INSTRUCTION LABELS**

## UNCONTROLLED WHEN PRINTED

GROUP SGD/3

TITLE IDENTIFICATION AND INSTRUCTION LABELS

ITEM NO	DESIGNATION	NSN MANUFACTURER CODE/PART NO SUPPLIER CODE/PART NO	NO OFF	U O I	E X P	L* M* H*
014	DECAL, MAX ROOF LOAD, AUTOGRAPH VINYL, BLACK, 205 MM BY 90 MM	Z3522/008-509 Z5394/GYD509	1			
015	PLATE, INSTRUCTION ALFLOC 2001 INHIBITOR	9905 66-128-4969 Z5394/MYH3266 Z5394/MYH3266	1EA		X	LMH
016	LABEL, CYCLOPAC (DONALDSON) AIR CLEANER, SELF ADHESIVE	18265/P90-0612 18265/P90-0612	1			
017	PLATE, INSTRUCTION 200.0 MM LG, 58.0 MM W, 1.6 MM THK , ALUMINIUM, ANODIZED BLACK, SILVER CHARACTERS AUX POWER, DIMMER	9905 66-128-5824 Z5394/HYG3294 Z5394/HYG3294	1EA		X	LMH
018	PLATE, INSTRUCTION 236.0 MM LG, 58.0 MM W, 1.6 MM THK , ALUMINIUM, ANODIZED BLACK, SILVER CHARACTERS FUEL SELECTOR, TRANSFER BOX CONTROL	9905 66-128-5825 Z5394/HYG2859 Z5394/HYG2859	1EA		X	LMH

ISSUE NO: 1

REPAIR PARTS SCALE: 02226

PAGE NO: 16

\* GRADE OF REPAIR (LIGHT, MEDIUM OR HEAVY)

**GROUP SGD SHEET 4**

**02226**

**NO EQUIPMENT OR PERSON TO BE OUTSIDE OF SIDE RAIL WHEN VEHICLE IS MOVING**

19

*Anzol* PAINTS (02) 736 3000  
 REFINISH THIS VEHICLE WITH ANZOL POLYURETHANE  
 450-2022 OLIVE DRAB

20

3040-BAeA Voltage Reducer

Inputs & Outputs	PIN	1	24V DC Input	Brown
		2	N.C.	
		3	N.C.	
INPUT :		4	Battery Negative	Black
6 PIN CONNECTOR		5	Blackout Indicator Light	Blue/White
CHASSIS ELECTRICS		6	N.C.	
	PIN	7	24V DC To Voltmeter	Red
		8	Console Lights	Yellow
		9	Power Outlets	Purple
OUTPUT :		10	Spare 24V DC Output	Blue/White
8 PIN CONNECTOR		11	Blackout Indicator Light	White
COMMAND POST		12	Map Lights	White
ELECTRICS		13	Fans	Green
		14	Spare 12V DC Output	

Fuse Ratings:

1A	20A	1A	10A	10A	10A	3A	10A
24Vdc Spare	24Vdc In	24Vdc to Voltmeter	Map Lights	Console Lights	Fans	Power Outlets	12Vdc Spare

Serial No.

**WARNING: 25 AMPS MAX TOTAL LOAD**

DECAL: 008-708 ASSY: 008-691

21

**MOD.RECORD**

1	2	3	4	5	6	7
8	9	10	11	12	13	14
15	16	17	18	19	20	21
22	23	24	25	26	27	28
29	30	31	32	33	34	35
36	37	38	39	40	41	42
43	44	45	46	47	48	49

ASSY. CAT. No.

22

23

**WINCH OPERATING INSTRUCTIONS**

- SWITCH ENGINE OFF.
- SET WINCH DOG CLUTCH LEVER VERTICAL (DOG CLUTCH DISENGAGED) AND REEL OUT CABLE.
- ATTACH CABLE TO SELECTED ANCHOR POINT.
- PUSH DOG CLUTCH LEVER OUTBOARD, TURNING WINCH DRUM BY HAND TO ENSURE DOG CLUTCH HAS ENGAGED.
- SET TRANSFER CASE CONTROL LEVER IN ITS NEUTRAL POSITION.
- START ENGINE. DEPRESS CLUTCH PEDAL AND SELECT A LOW FORWARD GEAR.
- LIFT UP WINCH PTO LEVER IN SEATBASE TO ENGAGE WINCH DRIVE. FACIA WARNING LIGHT WILL INDICATE PTO ENGAGED.
- RELEASE CLUTCH PEDAL TO WIND IN WINCH CABLE.
- DEPRESS CLUTCH PEDAL TO STOP WINCH.
- SELECT NEUTRAL GEAR IN GEARBOX AND PUSH DOWN PTO CONTROL TO DISENGAGE WINCH.
- DRIVE VEHICLE FORWARD TO SLACKEN CABLE.
- DISENGAGE WINCH DOG CLUTCH BY SETTING DOG CLUTCH LEVER VERTICALLY.

DO NOT TRAVEL WITH WINCH ENGAGED  
 DO NOT HAVE LESS THAN FOUR WRAPS OF CABLE ON THE DRUM

SEE USER HANDBOOK FOR MORE DETAILED INSTRUCTIONS

**IDENTIFICATION AND INSTRUCTION LABELS**

## UNCONTROLLED WHEN PRINTED

GROUP SGD/4

TITLE IDENTIFICATION AND INSTRUCTION LABELS

ITEM NO	DESIGNATION	NSN MANUFACTURER CODE/PART NO SUPPLIER CODE/PART NO	NO OFF	U O	E X	L* M* H*
019	DECAL, CAUTION, AUTOGRAPH VINYL, BLACK, 250 MM BY 50 MM	Z3522/008-545 Z5394/GYD545	1			
020	LABEL, PAINT FINISH, 70 MM BY 35 MM, SELF ADHESIVE	Z5394/HYG2712 Z5394/HYG2712	1			
021	DECAL, VOLTAGE REDUCER, BLACK ON WHITE BACKGROUND, SELF ADHESIVE PLASTIC FILM, 140 MM BY 110 MM	Z3522/008-708 Z5394/GYD708	1			
022	PLATE, MODIFICATION RECORD ALUMINIUM, 90MM LG BY 60MM W BY 1MM THK	9905 66-016-3535 Z2877/TSEW77-2 Z5394/HYG6346	1EA		X	LMH
023	PLATE, INSTRUCTION ALUMINIUM, ANODIZED, 297 MM X 73 MM , 0.5 MM THK (USE SGD 901 TO SECURE)	9905 66-128-5846 Z5394/AYG3569 Z5394/AYG3569	1EA		X	LMH

ISSUE NO: 1

REPAIR PARTS SCALE: 02226

PAGE NO: 17

\* GRADE OF REPAIR (LIGHT, MEDIUM OR HEAVY)

<b>LAND ROVER 110 6 x 6</b>			
TYRE SIZE	PLY/LOAD INDEX		RIM SIZE
7.50 R 16 LT	8/114	10/118	6.00 Fx16 6.00 Gx16
7.50 16 LT	8/112		
LT 235/85 R 16	8/120		
LOAD CARRYING CAPACITY (kg)			FRONT AXLE
			1900
COLD TYRE PRESSURES kPa (PSI)			REAR AXLES
			4100
			350 (50)
			400 (58)

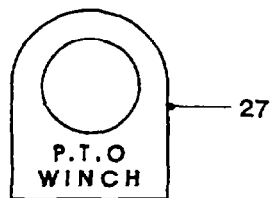
NOTE:- THE SUM OF THE LOAD CARRYING CAPACITIES OF THE TYRES FITTED TO ANY AXLE OR AXLE GROUP OF THIS VEHICLE SHALL NOT BE LESS THAN THE RELEVANT LOAD SHOWN ABOVE. THE TYRES FITTED TO THIS VEHICLE SHALL HAVE A SPEED CATEGORY AT LEAST EQUAL TO THE RECOMMENDED MAX. VEHICLE OPERATING SPEED 105 km/h.

BYG 5310

24

**CAUTION**  
 TO PREVENT DAMAGE TO  
 HIGH/LOW RANGE GEARS:  
 1) ONLY CHANGE RANGE WHEN VEHICLE  
 IS **STATIONARY**  
 2) SELECT REQUIRED RANGE **AND**  
**MAINTAIN EFFORT** ON LEVER  
 UNTIL VEHICLE IS IN **MOTION**

25



27

**WINCH  
 P.T.O**  
 LIFT  
 UP  
 TO  
**ENGAGE**  
 PUSH  
 DOWN  
 TO  
**DISENGAGE**

26

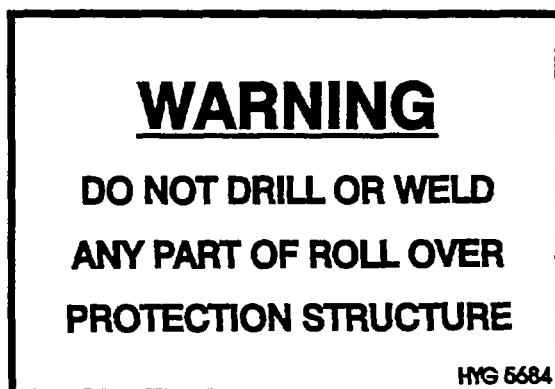
**IDENTIFICATION AND INSTRUCTION LABELS**

UNCONTROLLED WHEN PRINTED

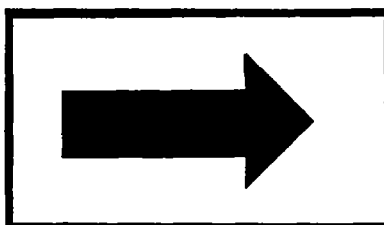
GROUP SGD/5  
 TITLE IDENTIFICATION AND INSTRUCTION LABELS

ITEM NO	DESIGNATION	NSN MANUFACTURER CODE/PART NO SUPPLIER CODE/PART NO	NO. OFF	U O I	E X P	L* M* H*
904	PLATE, DESIGNATION ALUMINIUM, 90 MM LG BY73 MM W AND 1 MM THK, LEGEND-MOD RECORD ASSEMBLY CAT NO.; FIGURES 1 TO 49 (FITTED TO RH SIDE OF SEAT BOX)	9905 66-039-2341 Z2877/MGO (WC) 1966 Z2877/MGO (WC) 1966	1	EA	X	LMH
024	DECAL, TYRE DATA, 100 MM LG, 75 MM W, SILVER CHARACTERS, MATT BLACK SCREEN PRINTED BACKGROUND, SELF ADHESIVE	Z5394/BYG5310 Z5394/BYG5310	1			
025	PLATE, INSTRUCTION HIGH/LOW RANGE, SELF ADHESIVE PLATE	9905 66-128-5888 Z5394/HYG4063 Z5394/HYG4063	1	EA	X	LMH
026	SIGN FACE, ADHESIVE WINCH LEVER ENGAGE, DISENGAGE INFORMATION	9905 66-128-5845 Z5394/AYG3535 Z5394/AYG3535	1	EA	X	LMH
027	LABEL, PTO WARNING LIGHT	Z5394/HYG3406 Z5394/HYG3406	1			

\* GRADE OF REPAIR (LIGHT, MEDIUM OR HEAVY)



28



29



30



31

**IDENTIFICATION AND INSTRUCTION LABELS**

## UNCONTROLLED WHEN PRINTED

GROUP SGD/6

TITLE IDENTIFICATION AND INSTRUCTION LABELS

ITEM NO	DESIGNATION	NSN MANUFACTURER CODE/PART NO SUPPLIER CODE/PART NO	NO OFF	U O	E X	L* M* H*
028	LABEL, WARNING, ROLL CAGE, SELF ADHESIVE, CHROME POLYESTER MYLAR, 110 MM BY 75 MM, RED ON WHITE BACKGROUND	Z5394/HYG5684 Z5394/HYG5684	2			
029	LABEL, ADHESIVE, BONNET RELEASE ADVICE, BLACK ARROW ON YELLOW BACKGROUND, 38 MM BY 25 MM	Z4058/44038 Z5394/MYH3604	1			
030	BADGE-GRILLE PLASTIC, OVAL, 8.5 MM LG, 4 MM W, "LANDROVER", GREEN WITH GOLD LETTERS	2540 66-128-6100 U1030/MXC6402 Z5394/MXC6402	1	EA	X	LMH
905	LOGO, LAND ROVER, REAR	U1030/BTR1047 Z5394/BTR1047	1			
031	LABEL, POWER DRAW, ' 1 AMP MAX', 20 MM BY 130 MM LG, AUTOGRAPH VINYL, WHITE ON BLACK	Z3522/008-731 Z5394/GYD731	1			

ISSUE NO: 1

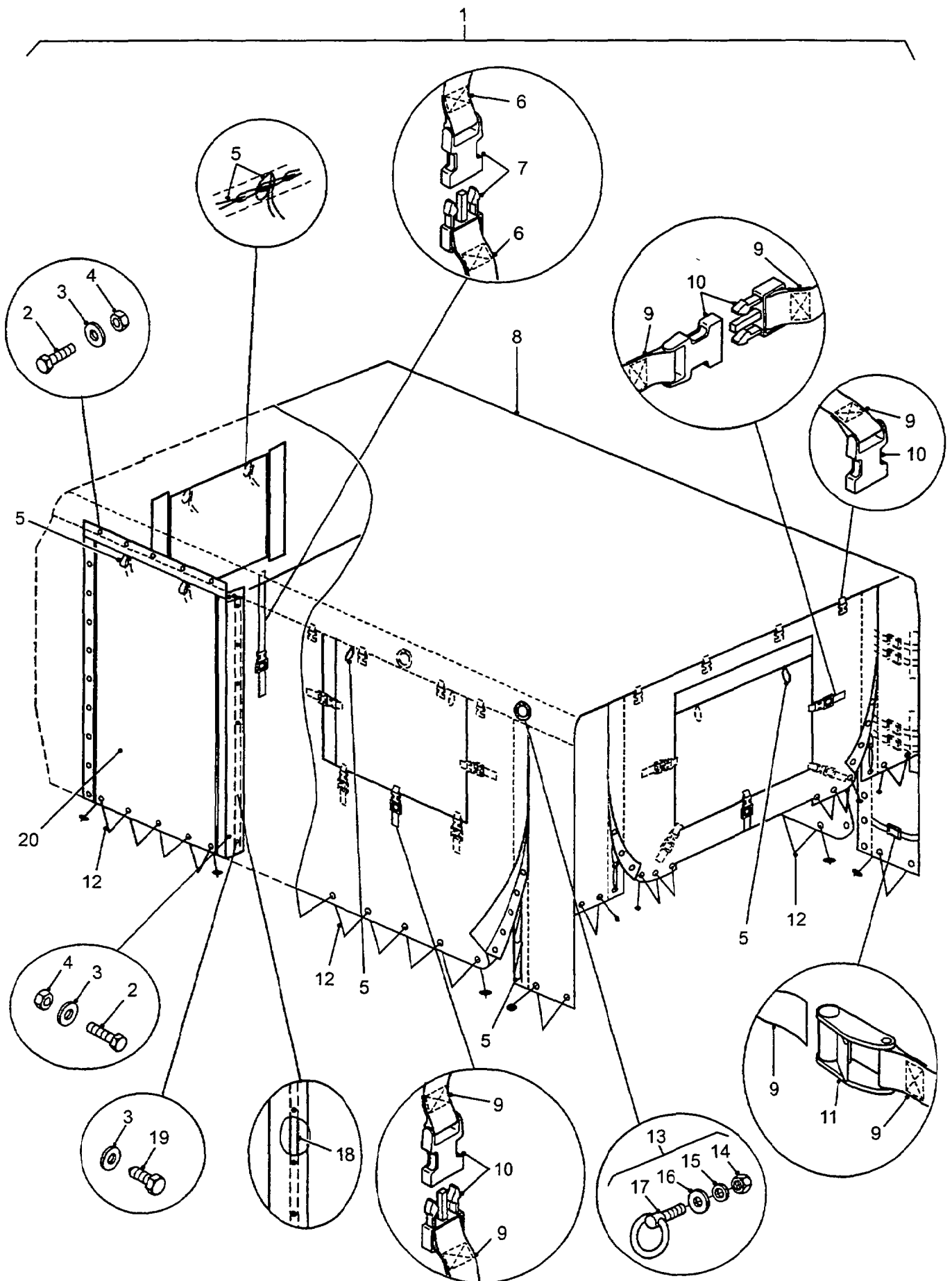
REPAIR PARTS SCALE: 02226

PAGE NO: 19

\* GRADE OF REPAIR (LIGHT, MEDIUM OR HEAVY)

# GROUP SR SHEET 1

02226



## CANOPY

## UNCONTROLLED WHEN PRINTED

GROUP SR/1  
TITLE CANOPY

ITEM NO	DESIGNATION	NSN MANUFACTURER CODE/PART NO SUPPLIER CODE/PART NO	NO OFF	U O	E X	L* M* H*
001	COVER, FITTED, VEHICULAR BODY MORTAR VEHICLE, CAMOUFLAGED (INCLUDES SR 005 TO SR 012, SR 901 TO SR 903, AND SR 020)	2540 66-139-2036 Z3522/008-709 Z5394/GYD 709	1	EA	A	LMH
002	SCREW, MUSHROOM HD, CROSS RECESS, STEEL, ZINC PLATED, M6 BY 1.0 MM BY 12 MM LG.	Z3522/008560-BL06012L Z5394/MYH3760	16			
003	WASHER, FLAT, 6.4 MM ID, 12.5 MM OD, 1.6 MM THK.	Z3522/008561-BA060000 Z5394/WA106041	38			
004	NUT, NYLOC, M6	Z3522/008562-BE06000L Z5394/NY106047L	16			
005	CORD, DBG DIY DIA 4 MM POLY ROPE KINNEARS (ALSO PART OF SR 001 AND SR 020, USE AS REQUIRED)	Z3522/MH06500 Z3522/MH06500	1			
006	WEBBING, BLACK, 25 MM W, 40 MR ROLL (ALSO PART OF SR 001)	Z3460/B2503-580 Z3560/B2503-580	1			
007	BUCKLE SIDE RELEASE, PLASTIC, BLACK, 2 PIECE, FOR 25 MM W STRAP (ALSO PART OF SR 001)	5340 66-144-6367 Z4495/380-0004 Z5394/HYM951	5	EA	X	MH
008	CANOPY, BRADMILL STYLE 32 234 183, KORDUX WAR AND DEF FINISH AS3567 (USE SR 001)	/NIL /NIL	1			
901	VELCRO TOUCHFAST, HOOK, BLACK, 50 MM, 25 M ROLL (ALSO PART OF SR 001, STITCHED TO CANOPY AND UNDERSIDE OF COVER, USE AS REQUIRED)	ZE262/C14355 ZE262/C14355	1			
902	VELCRO TOUCHFAST, LOOP BLACK, 50 MM, 25 M ROLL (ALSO PART OF SR 001, STITCHED TO CANOPY AND UNDERSIDE OF COVER, USE AS REQUIRED)	ZE262/C14356 ZE262/C14356	1			

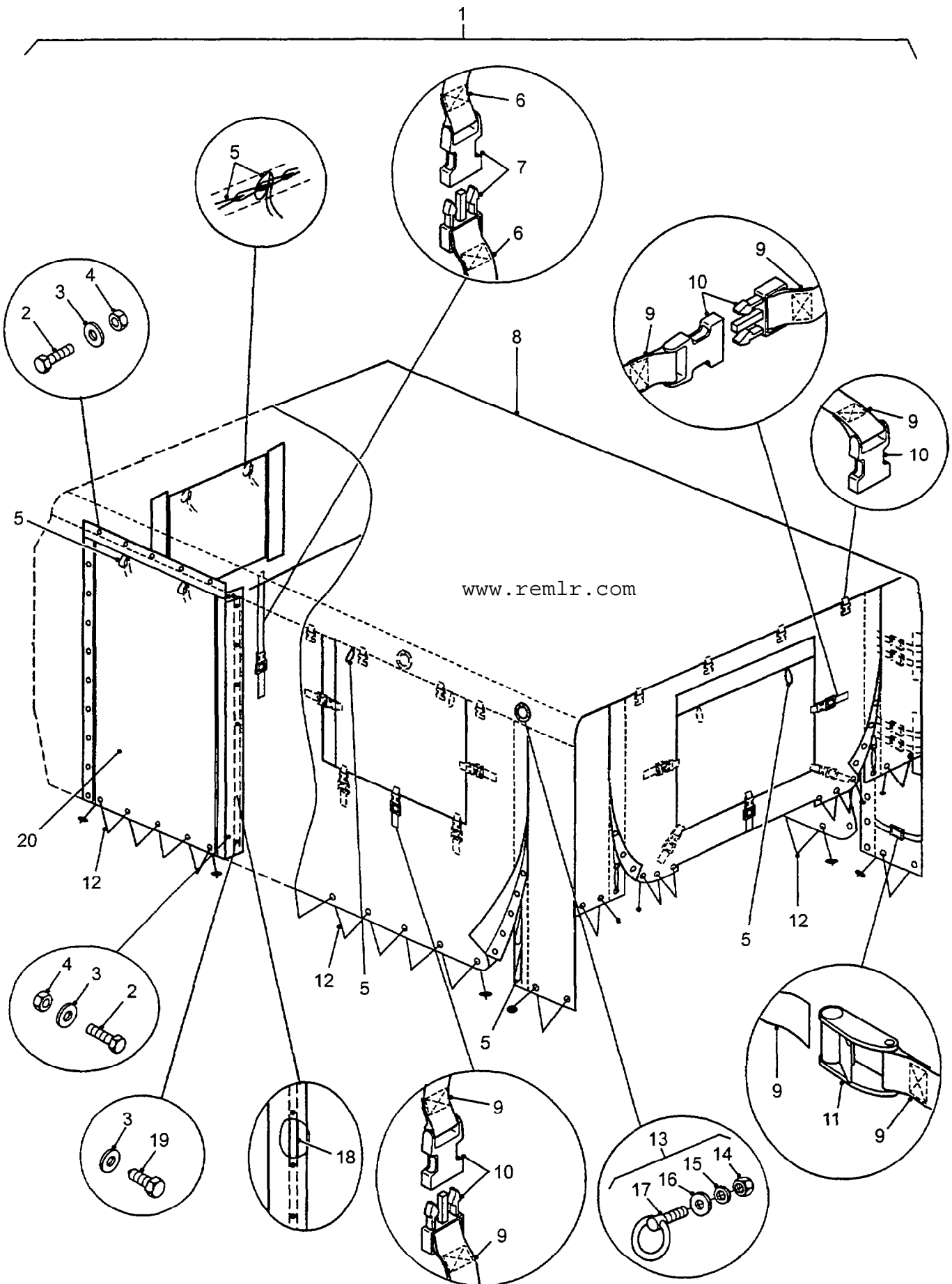
ISSUE NO: 1

REPAIR PARTS SCALE: 02226

PAGE NO: 20

\* GRADE OF REPAIR (LIGHT, MEDIUM OR HEAVY)

**GROUP SR SHEET 1** **02226**



www.remlr.com

**CANOPY**

## UNCONTROLLED WHEN PRINTED

GROUP SR/1  
TITLE CANOPY

ITEM NO	DESIGNATION	NSN MANUFACTURER CODE/PART NO SUPPLIER CODE/PART NO	NO OFF	U O	E X	L* M* H*
903	ZIP, BLACK, 100 M ROLL (ALSO PART OF SR 001 AND SR 020, STITCHED TO CANOPY AND BLACKOUT CANVAS)	ZE262/NO 10 SPIRAL ZE262/NO 10 SPIRAL	2			
904	TREATMENT, WATER PROOFING, 2 L CONTAINER (USED TO WATER PROOF CANVAS)	Z3639/1121-0004 Z3639/1121-0004	1			
009	WEBBING, DRAB OLIVE, 25 MM W, 40 M ROLL (ALSO PART OF SR 001 AND SR 020, USE AS REQUIRED)	Z3460/B2503-566 Z3460/B2503-566	1			
010	BUCKLE SIDE RELEASE, PLASTIC, OLIVE DRAB. 2 PIECE, FOR 25 MM W STRAP (ALSO PART OF SR 001, SR 021 AND SR 022)	5340 66-144-6368 Z4495/380-0816 Z5394/HYM949	96EA		X	MH
011	CAMLOCK, PLASTIC (ALSO PART OF SR 001)	Z4495/380-0722 Z5394/HYM950	6			
012	CORD, ELASTIC SHOCK CORD, SOLID, BLACK, 6 MM DIA, 100 MR ROLL (ALSO PART OF SR 001 AND SR 020)	8305 66-144-6335 Z1847/CPA06-G142 Z1847/CPA06-G142	1RO		X	LMH
013	RING BOLT, ASSEMBLY C/O NUT, WASHERS AND RINGBOLT (INCLUDES SR 014 TO SR 017)	5306 66-144-6391 Z3522/008-515 Z5394/GYD515	4AY		X	LMH
014	NUT, SELFLOCKING, HEX, 1/4 INCH BSW, ZINC PLATED, BLACK (ALSO PART OF SR 013)	Z5394/008746-AE040000 Z5394/NZ304041	8			
015	WASHER, FLAT, 1/4 INCH ID. (ALSO PART OF SR 013)	Z5394/008561-BA060000 Z5394/WA106044	8			
016	WASHER, FLAT, BLACK, 22.2 MM OD, 7 MM ID. (ALSO PART OF SR 013)	Z5394/008561-BC060000 Z5394/WJ600041	8			
017	RINGBOLT, STEEL, BLACK, BOLT 35 MM LG BY 5 MM ISO, THREAD 20 MM LG, RING 35 MM OD. (ALSO PART OF SR 013)	Z3522/008-514 Z5394/GYD514	8			

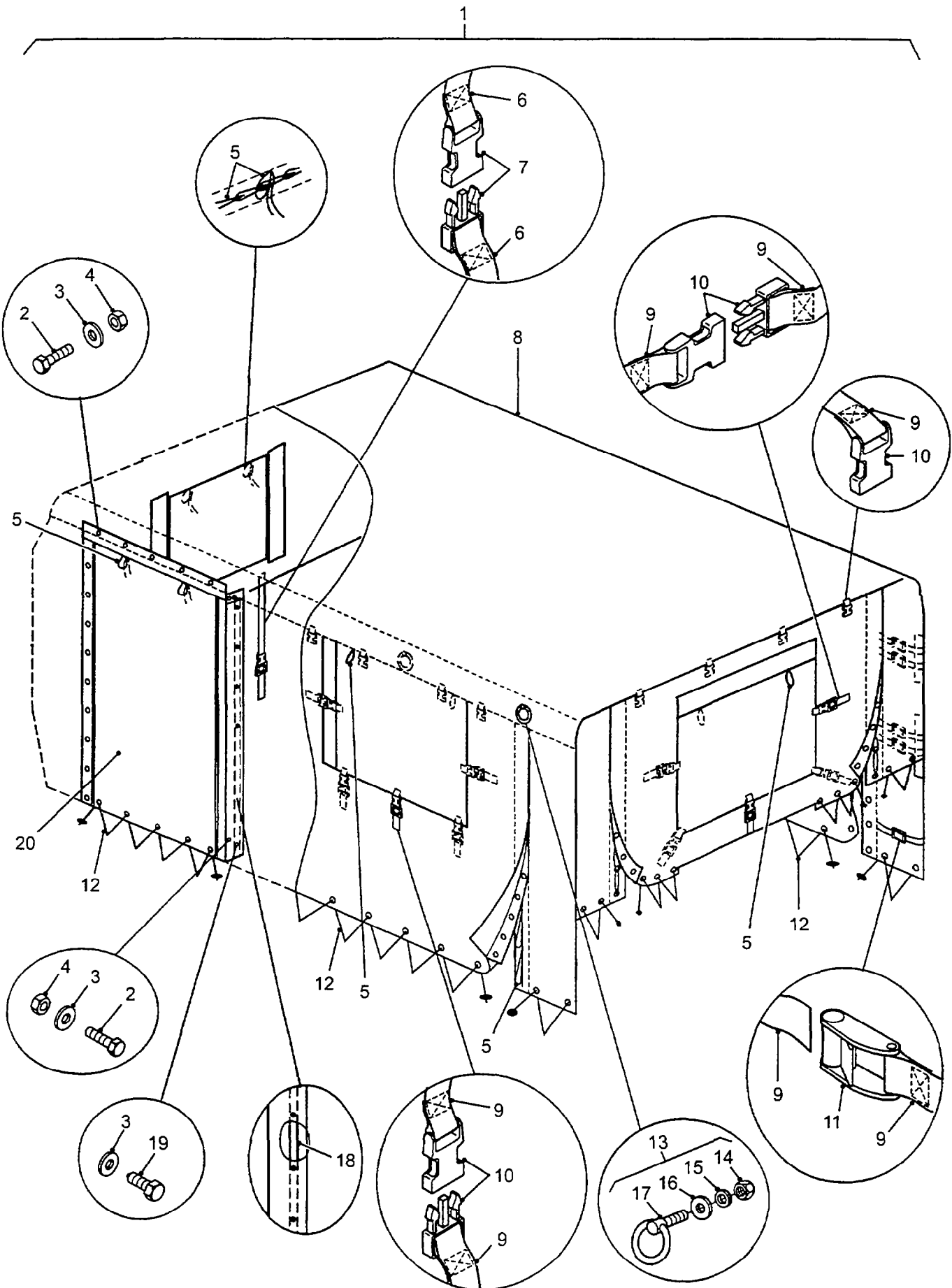
ISSUE NO: 1

REPAIR PARTS SCALE: 02226

PAGE NO: 21

\* GRADE OF REPAIR (LIGHT, MEDIUM OR HEAVY)

**GROUP SR SHEET 1** **02226**



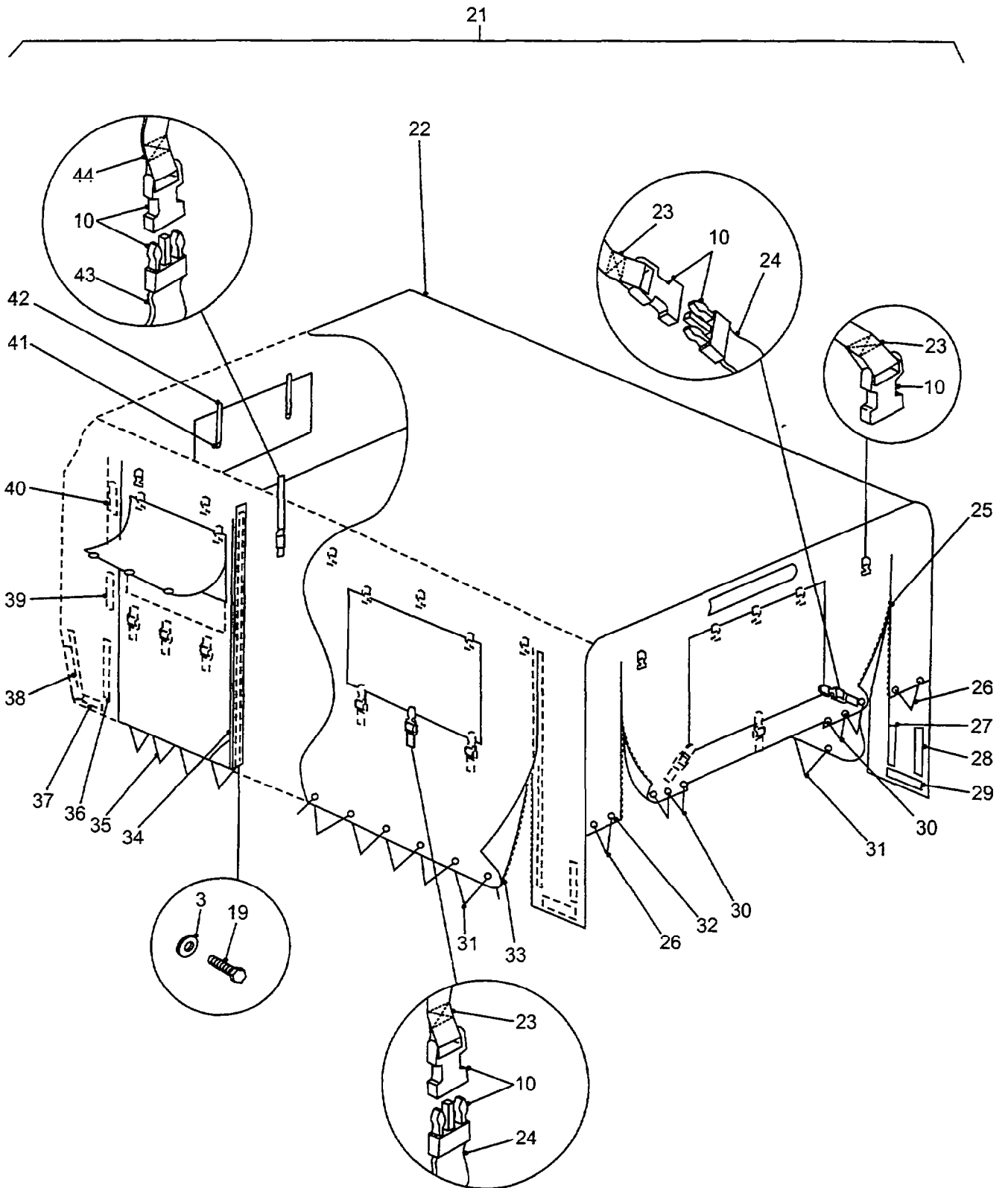
**CANOPY**

GROUP SR/1  
 TITLE CANOPY

ITEM NO	DESIGNATION	NSN MANUFACTURER CODE/PART NO SUPPLIER CODE/PART NO	NO OFF I	U O I	E X P	L* M* H*
018	STRIP, ALUMINIUM SHEET 5251 H34, 1.6 MM BY 25 MM BY 1270 MM LG. (MANUFACTURE AS REQUIRED, ALSO PART OF SR 020)	/NIL /NIL	2			
019	SCREW, SELF DRILLING, HEX HD, 6 MM DIA BY 20 MM LG	Z3522/008738-BA06020G Z5394/MYH3337	14			
020	CANVAS, BLACKOUT, 1045 MM BY 1380 MM (INCLUDES SR 012, SR 018, ALSO PART OF SR 001)	Z3522/008-736 Z5394/GYD736	2			
ISSUE NO: 1      REPAIR PARTS SCALE: 02226      PAGE NO: 22						

\* GRADE OF REPAIR (LIGHT, MEDIUM OR HEAVY)

**GROUP SR SHEET 2** **02226**



**CANOPY  
(BARRACUDA)**

GROUP SR/2  
TITLE CANOPY

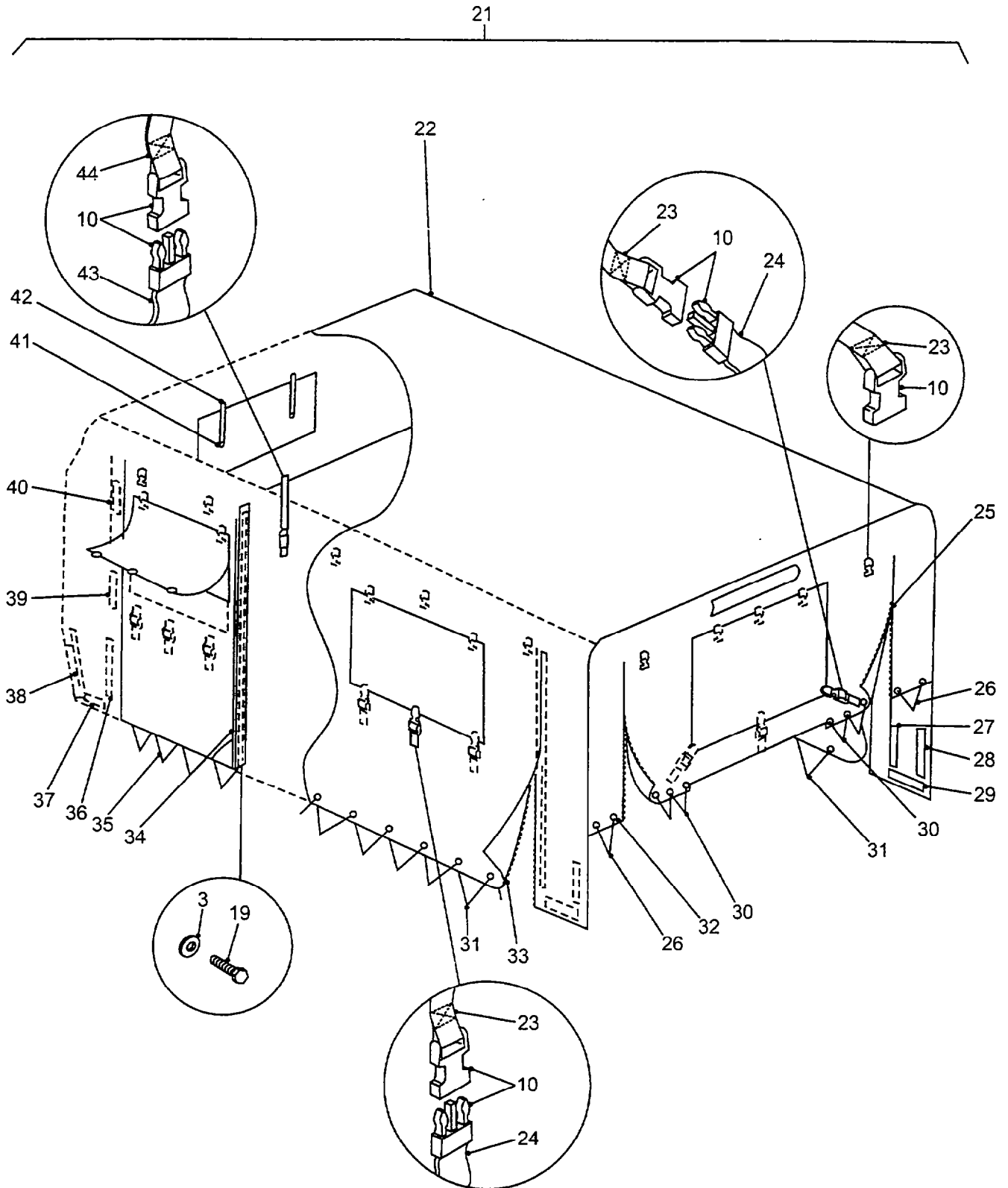
ITEM NO	DESIGNATION	NSN MANUFACTURER CODE/PART NO SUPPLIER CODE/PART NO	NO OFF	U O I	E X P	L* M* H*
021	COVER, FITTED, VEHICULAR BODY CANOPY ASSEMBLY, MORTAR CARRIER, SYNTHETIC, CAMOUFLAGED, BARRACUDA PATTERN (INCLUDES QTY 43 OF SR 010 AND SR 022 TO SR 911)	2540 66-144-3362 Z5394/HYG7650 Z5394/HYG7650	1	EA	A	LMH
022	CANOPY (INCLUDES SR 027 TO SR 029, SR 032 TO SR 034 AND SR 036 TO SR 906)	ZW815/94.796PF-MB19 M/B, 726043 ZW815/94.796PF-MB19 M/B, 726043	1			
023	WEBBING, BLACK, HEAVY DUTY POLYPROPELYNE, 25 MM WIDE BY 150 MM LG (USE SR 021 OR MANUFACTURE FROM SR 908)	/NIL /NIL	38			
024	WEBBING, BLACK, HEAVY DUTY POLYPROPELYNE, 25 MM WIDE BY 300 MM LG (USE SR 021 OR MANUFACTURE FROM SR 908)	/NIL /NIL	38			
025	ZIPPER, PLASTIC, HEAVY DUTY, CHUNKY 10, MOULDED CHAIN, 800 MM LG (USE SR 021 OR MANUFACTURE FROM SR 911)	/NIL /NIL	2			
026	SHOCK CORD, BLACK, 8 MM DIA BY 200 MM LG (USE SR 021 OR MANUFACTURE FROM SR 909)	/NIL /NIL	2			
027	HOOK AND LOOP FASTENER, BLACK, 2 PIECE, 50 MM WIDE BY 1060 MM LG (USE SR 021, SR 022 OR MANUFACTURE FROM SR 910)	/NIL /NIL	2			
028	HOOK AND LOOP FASTENER, BLACK, 2 PIECE, 50 MM WIDE BY 480 MM LG (USE SR 021, SR 022 OR MANUFACTURE FROM SR 910)	/NIL /NIL	2			
029	HOOK AND LOOP FASTENER, BLACK, 2 PIECE, 50 MM WIDE BY 160 MM LG (USE SR 021, SR 022 OR MANUFACTURE FROM SR 910)	/NIL /NIL	4			

ISSUE NO: 1

REPAIR PARTS SCALE: 02226

PAGE NO: 23

\* GRADE OF REPAIR (LIGHT, MEDIUM OR HEAVY)



**CANOPY  
(BARRACUDA)**

GROUP SR/2  
TITLE CANOPY

ITEM NO	DESIGNATION	NSN MANUFACTURER CODE/PART NO SUPPLIER CODE/PART NO	NO OFF	U O	E X	L* M* H*
030	SHOCK CORD, BLACK, 8 MM DIA BY 1600 MM LG (USE SR 001 OR MANUFACTURE FROM SR 909)	/NIL /NIL	2			
031	SHOCK CORD, BLACK, 8 MM DIA BY 1450 MM LG (USE SR 021 OR MANUFACTURE FROM SR 909)	/NIL /NIL	2			
032	EYELET, PVC, GREY, 19 MM ID BY 43 MM OD (ALSO PART OF SR 021 AND SR 022)	ZW815/4-278-1001*PY28-289 -10/43 ZW815/4-278-1001*PY28-289 -10/43	39			
033	ZIPPER, PLASTIC, HEAVY DUTY, CHUNKY 10, MOULDED CHAIN BY 1300 MM LG (USE SR 021, SR 022 OR MANUFACTURE FROM SR 911)	/NIL /NIL	8			
034	STRIP, ALUMINIUM ALLOY 5251 H34, 25 MM WIDE BY 3 MM THK BY 1360 MM (USE SR 021 OR SR 022)	/NIL /NIL	2			
035	SHOCK CORD, BLACK, 8 MM DIA BY 1200 MM LG (USE SR 001 OR MANUFACTURE FROM SR 909)	/NIL /NIL	2			
036	HOOK AND LOOP FASTENER, BLACK, 2 PIECE, 50 MM WIDE BY 190 MM LG (GLUED TO FRONT ROPS, USE SR 021, SR 022 OR MANUFACTURE FROM SR 910)	/NIL /NIL	2			
037	HOOK AND LOOP FASTENER, BLACK, 2 PIECE, 50 MM WIDE BY 165 MM LG (GLUED TO FRONT ROPS, USE SR 021, SR 022 OR MANUFACTURE FROM SR 910)	/NIL /NIL	2			
038	HOOK AND LOOP FASTENER, BLACK, 2 PIECE, 50 MM WIDE BY 380 MM LG (USE SR 021, SR 022 OR MANUFACTURE FROM SR 910)	/NIL /NIL	2			

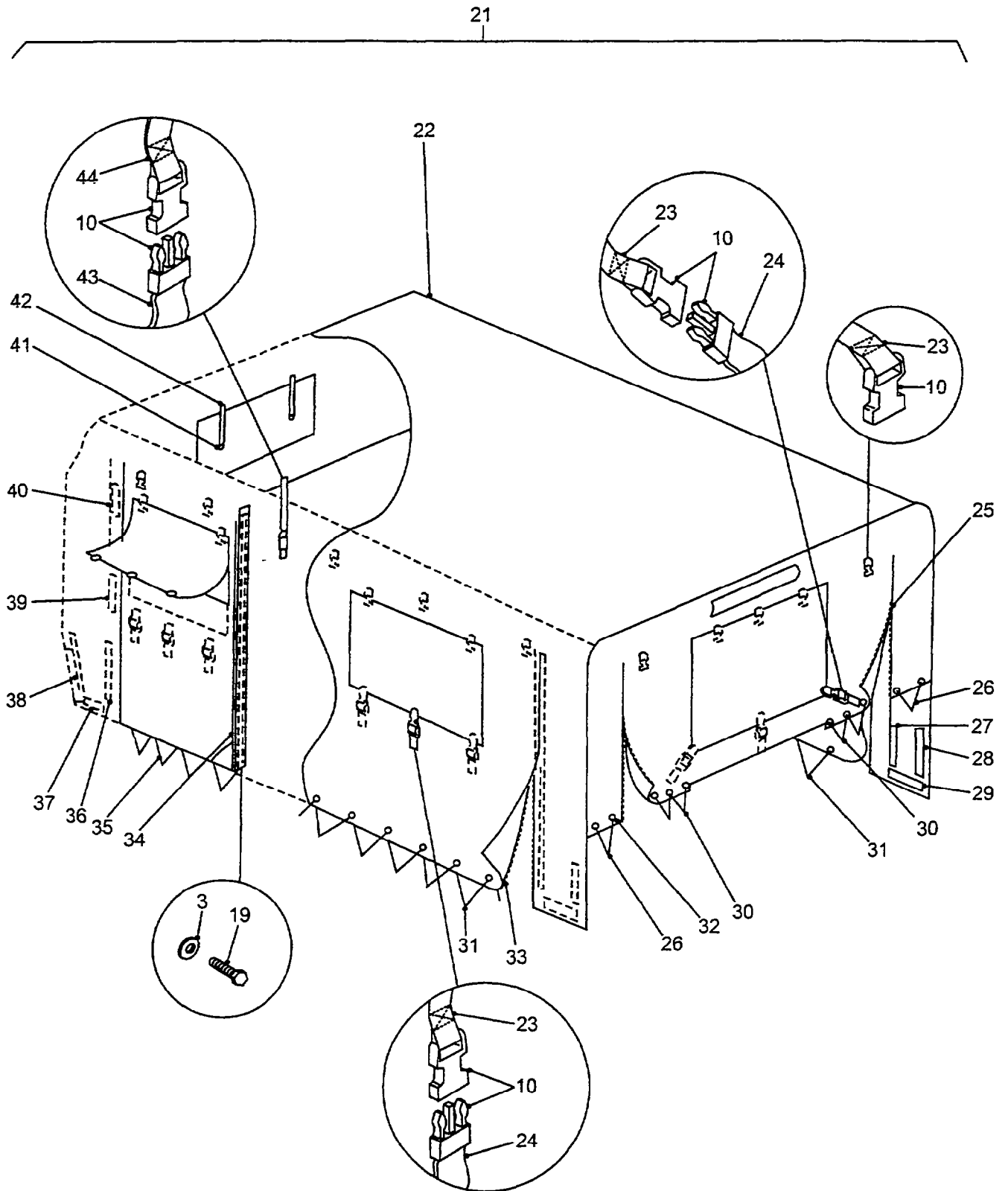
ISSUE NO: 1

REPAIR PARTS SCALE: 02226

PAGE NO: 24

\* GRADE OF REPAIR (LIGHT, MEDIUM OR HEAVY)

**GROUP SR SHEET 2** **02226**



**CANOPY  
(BARRACUDA)**

## UNCONTROLLED WHEN PRINTED

GROUP SR/2  
TITLE CANOPY

ITEM NO	DESIGNATION	NSN MANUFACTURER CODE/PART NO SUPPLIER CODE/PART NO	NO OFF	U O I	E X P	L* M* H*
039	HOOK AND LOOP FASTENER, BLACK, 2 PIECE, 50 MM WIDE BY 440 MM LG (GLUED TO FRONT ROPS, USE SR 021, SR 022 OR MANUFACTURE FROM SR 910)	/NIL /NIL	2			
040	HOOK AND LOOP FASTENER, BLACK, 2 PIECE, 50 MM WIDE BY 270 MM LG (GLUED TO FRONT ROPS, USE SR 021, SR 022 OR MANUFACTURE FROM SR 910)	/NIL /NIL	2			
041	STRAP, TIE UP, FRONT WINDOW, COVCAM, 94.796PF-MB19 M/B (USE SR 021 OR SR 022)	/NIL /NIL	2			
042	HOOK AND LOOP FASTENER, BLACK, 2 PIECE, 50 MM WIDE BY 25 MM LG (USE SR 021, SR 022 OR MANUFACTURE FROM SR 910)	/NIL /NIL	2			
043	WEBBING, BLACK, HEAVY DUTY POLYPROPELYNE, 25 MM WIDE BY 250 MM LG (USE SR 021, SR 022 OR MANUFACTURE FROM SR 908)	/NIL /NIL	2			
044	WEBBING, BLACK, HEAVY DUTY POLYPROPELYNE, 25 MM WIDE BY 3000 MM LG (USE SR 021, SR 022 OR MANUFACTURE FROM SR 908)	/NIL /NIL	2			
905	GARNISH, ROOF COVER, CAMNET MATERIAL, C90 MK 4, REINFORCED, 2000 MM BY 3000 MM (ALSO PART OF SR 021 AND SR 022)	ZW815/821004 ZW815/821004	1			
906	PULLER, ZIPPER, HEAVY DUTY, DOUBLE SLIDER, NON LOCK, NO 10, METAL (USE WITH SR 025 AND SR 033, ALSO PART OF SR 021 AND SR 022)	ZW815/BTPM10D ZW815/BTPM10D	8			
907	HOOK, RETAINING, SHOCK CORD, BLACK, PLASTIC (SECURE TO ONE END OF SR 026, SR 030, 031 AND SR 035, ALSO PART OF SR 021)	ZW815/SHOOK8-BL ZW815/SHOOK8-BL	8			

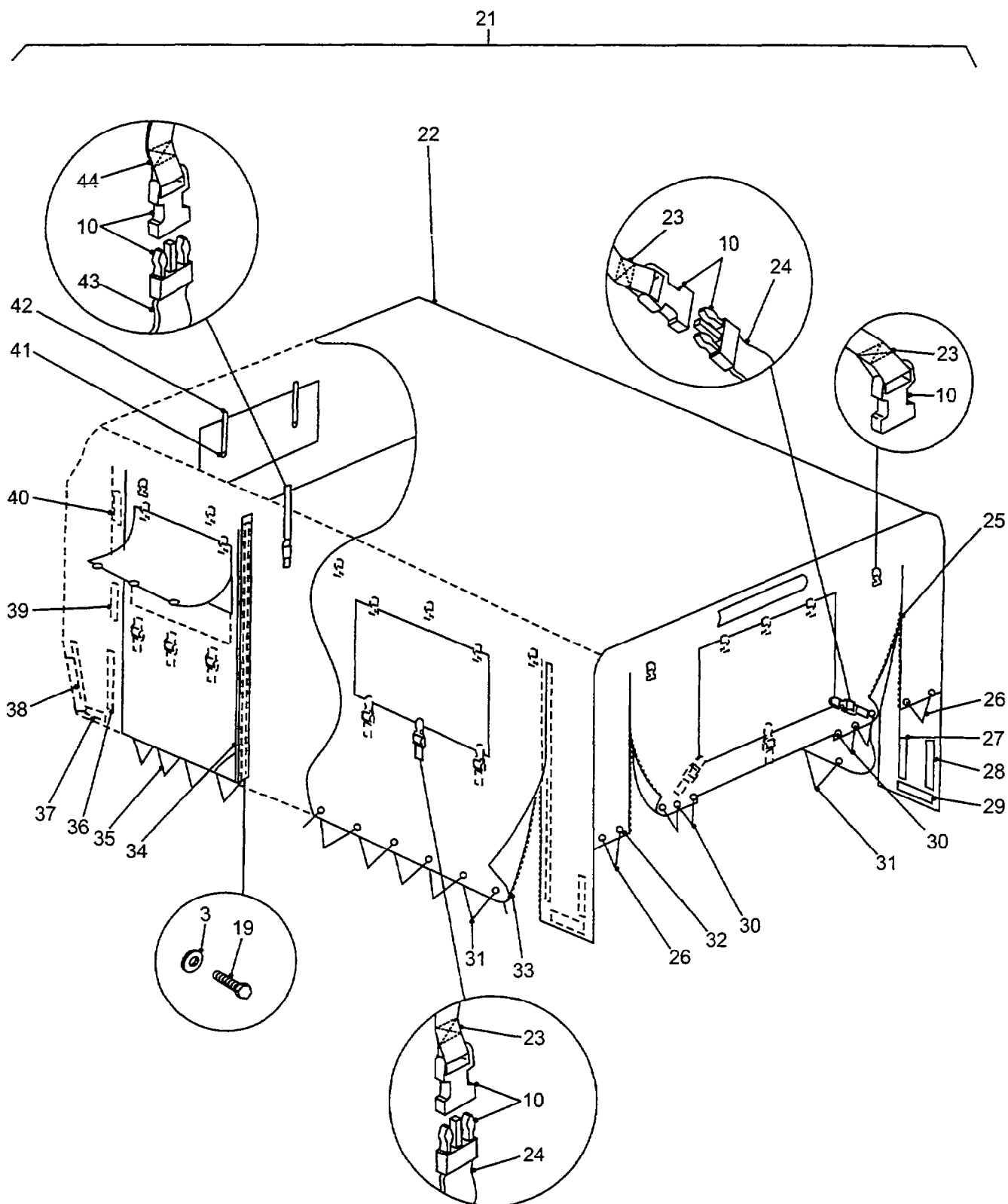
ISSUE NO: 1

REPAIR PARTS SCALE: 02226

PAGE NO: 25

\* GRADE OF REPAIR (LIGHT, MEDIUM OR HEAVY)

**GROUP SR SHEET 2** **02226**



**CANOPY  
(BARRACUDA)**

GROUP SR/2  
 TITLE CANOPY

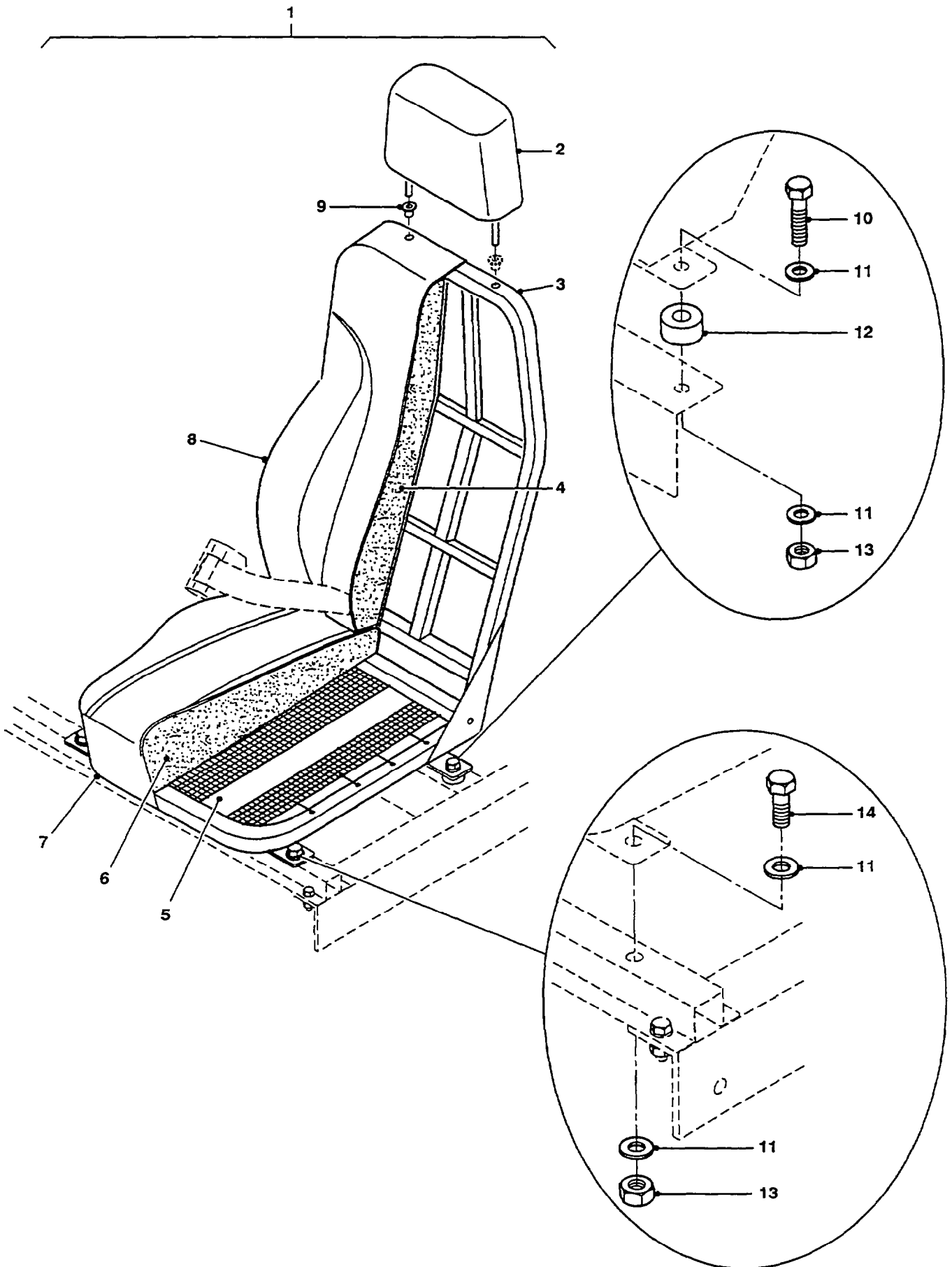
ITEM NO	DESIGNATION	NSN MANUFACTURER CODE/PART NO SUPPLIER CODE/PART NO	NO OFF I	U O I	E X P	L* M* H*
908	WEBBING, BLACK, HEAVY DUTY POLYPROPELYNE, 25 MM WIDE, 50 MR ROLL (USE AS REQUIRED)	ZW745/PW61925*BL ZW815/PW61925*BL	1			
909	SHOCK CORD, BLACK, 8 MM, 50 MR ROLL (USE AS REQUIRED)	Z1847/CPA08-0G162 ZW815/BTSC8B	1			
910	HOOK AND LOOP FASTENER, BLACK, 2 PIECE, 50 MM WIDE, 25 MR ROLL	ZF848/50MM HOOK/LOOP ZW815/BTH/L50B	1			
911	ZIPPER, PLASTIC, HEAVY DUTY, MOULDED CHAIN, CHUNKY 10, 100 MR ROLL (USE AS REQUIRED)	ZW815/BTZP10HD ZW815/BTZP10HD	1			

ISSUE NO: 1      REPAIR PARTS SCALE: 02226      PAGE NO: 26

\* GRADE OF REPAIR (LIGHT, MEDIUM OR HEAVY)

# GROUP SS

# 02226



## REAR SEAT ASSEMBLY

## UNCONTROLLED WHEN PRINTED

GROUP SS  
TITLE REAR SEAT ASSEMBLY

ITEM NO	DESIGNATION	NSN MANUFACTURER CODE/PART NO SUPPLIER CODE/PART NO	NO OFF	U I	E X P	L* M* H*
001	SEAT, VEHICULAR REAR PASSENGER (INCLUDES SS 002 TO SS 009, BASE AND SQUAB NOT SERVICED SEPERATELY)	2540 66-144-6425 Z5186/724BM-100 Z5394/HYM891	6	EA	A	LMH
901	COVER, SEAT, VEHICULAR SEAT BASE, CANVAS, BLACK, GREEN AND TAN DISRUPTIVE PATTERN "DPP", 555MM LG X 440MM W, CORD TIE DOWN FASTENER	2540 66-142-8882 ZE262/BYG8019 Z5394/BYG8019	6	EA	X	LMH
902	COVER, SEAT, VEHICULAR SEAT BACK; CANVAS; BLACK, GREEN & TAN DISRUPTIVE PATTEN "DPP"; 440 MM O/A W 720 MM O/A LG, VELCRO TAPE FASTENER	2540 66-142-8883 ZE262/BYG8023 Z5394/BYG8023	6	EA	X	LMH
002	HEAD REST, SEAT, 290 MM LG BY 175 MM BY 65 MM THK, WITH 2 GUIDE RAILS, 8 MM DIA. (ALSO PART OF SS 001)	Z5186/27-514 Z5394/HYM870	1			
003	FRAME, SEAT BACK, STEEL (ALSO PART OF SS 001)	Z5186/02-562 Z5186/02-562	1			
004	FOAM, SEAT, SQUAB (ALSO PART OF SS 001)	Z5186/10-537 Z5186/10-537	1			
005	WEBBING, SEAT BASE (ALSO PART OF SS 001)	Z5186/13-514 Z5186/13-514	1			
006	FOAM, SEAT, BASE (ALSO PART OF SS 001)	Z5186/10-571 Z5186/10-571	1			
007	COVER, SEAT, BASE (ALSO PART OF SS 001)	Z5186/18-610 Z5394/HYM959	1			
008	COVER, SEAT, SQUAB (ALSO PART OF SS 001)	Z5186/18-609 Z5394/HYM960	1			
009	BUSH, HEADREST TRIM, 25 MM FLANGE DIA, 10 MM ID HOLE (ALSO PART OF SS 001)	Z5186/12-018A Z5394/HYM871	2			
010	BOLT, HEX HD, M10 BY 45 MM LG, ZINC PLATED	Z3522/008558-BO10045M Z5394/BH110091L	12			

ISSUE NO: 1

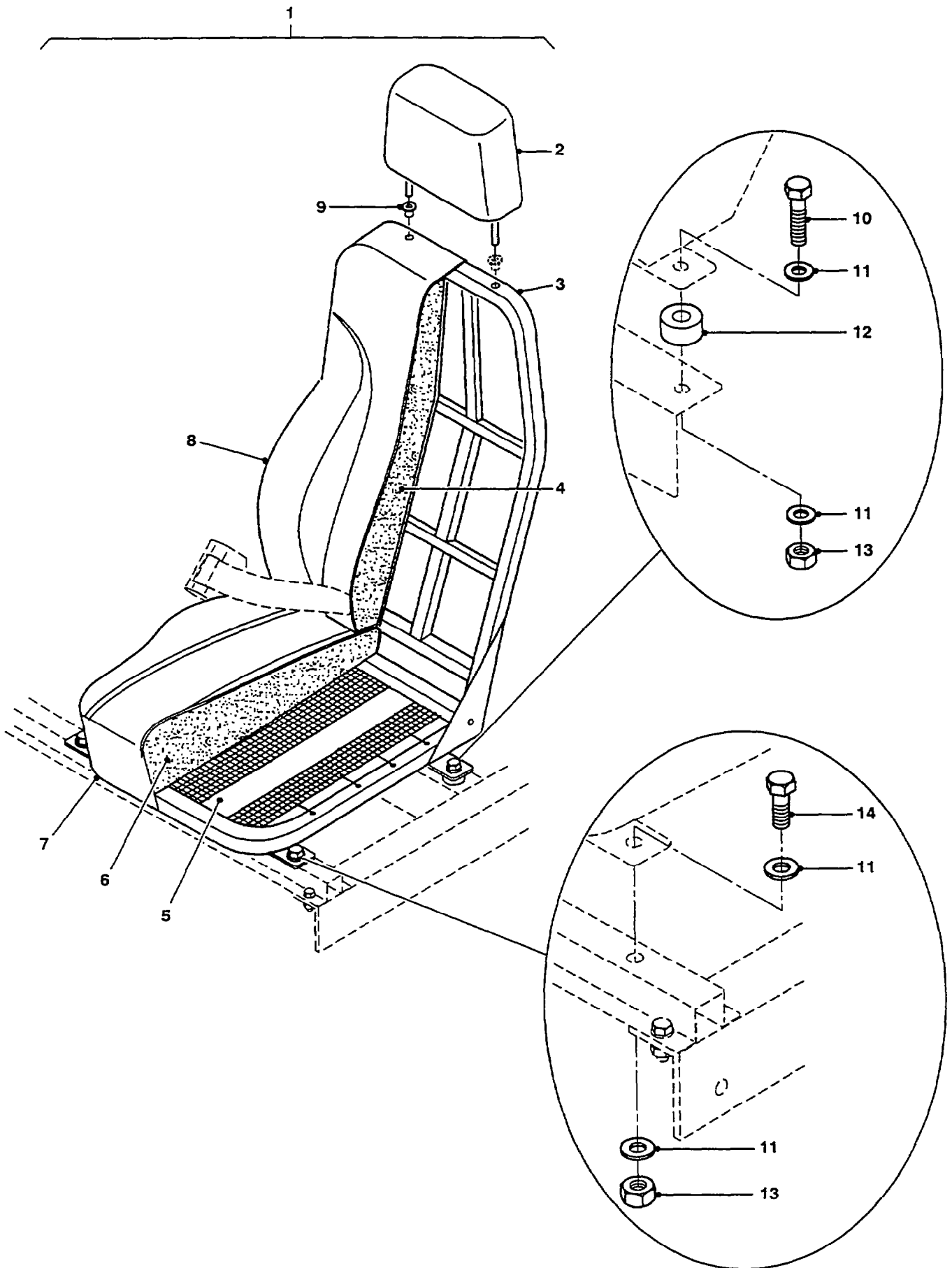
REPAIR PARTS SCALE: 02226

PAGE NO: 27

\* GRADE OF REPAIR (LIGHT, MEDIUM OR HEAVY)

# GROUP SS

# 02226



## REAR SEAT ASSEMBLY

## UNCONTROLLED WHEN PRINTED

GROUP SS  
 TITLE REAR SEAT ASSEMBLY

ITEM NO	DESIGNATION	NSN MANUFACTURER CODE/PART NO SUPPLIER CODE/PART NO	NO OFF	U O	E X	L* M* H*
011	WASHER, FLAT 10.0 MILLIMETRE I.D., ZINC PLATED	Z3522/008561-BA100000 Z5394/WC110061L	48			
012	SPACER, SEAT, POLYURETHANE	Z3522/43-0045 Z5394/FYD0045	12			
013	NUT, SELF-LOCKING, HEXAGON 1SO METRIC, STEEL, ZINC COATED, 10 MM DIA-1.5 MM PITCH, W/NYLON INSERT	Z3522/008562-AE100000 Z5394/NY110041L	24			
014	BOLT, HEX HD, M10 BY 30 MM LG, ZINC PLATED	Z3522/008558-BO10030M Z5394/BH110061L	12			

ISSUE NO: 1

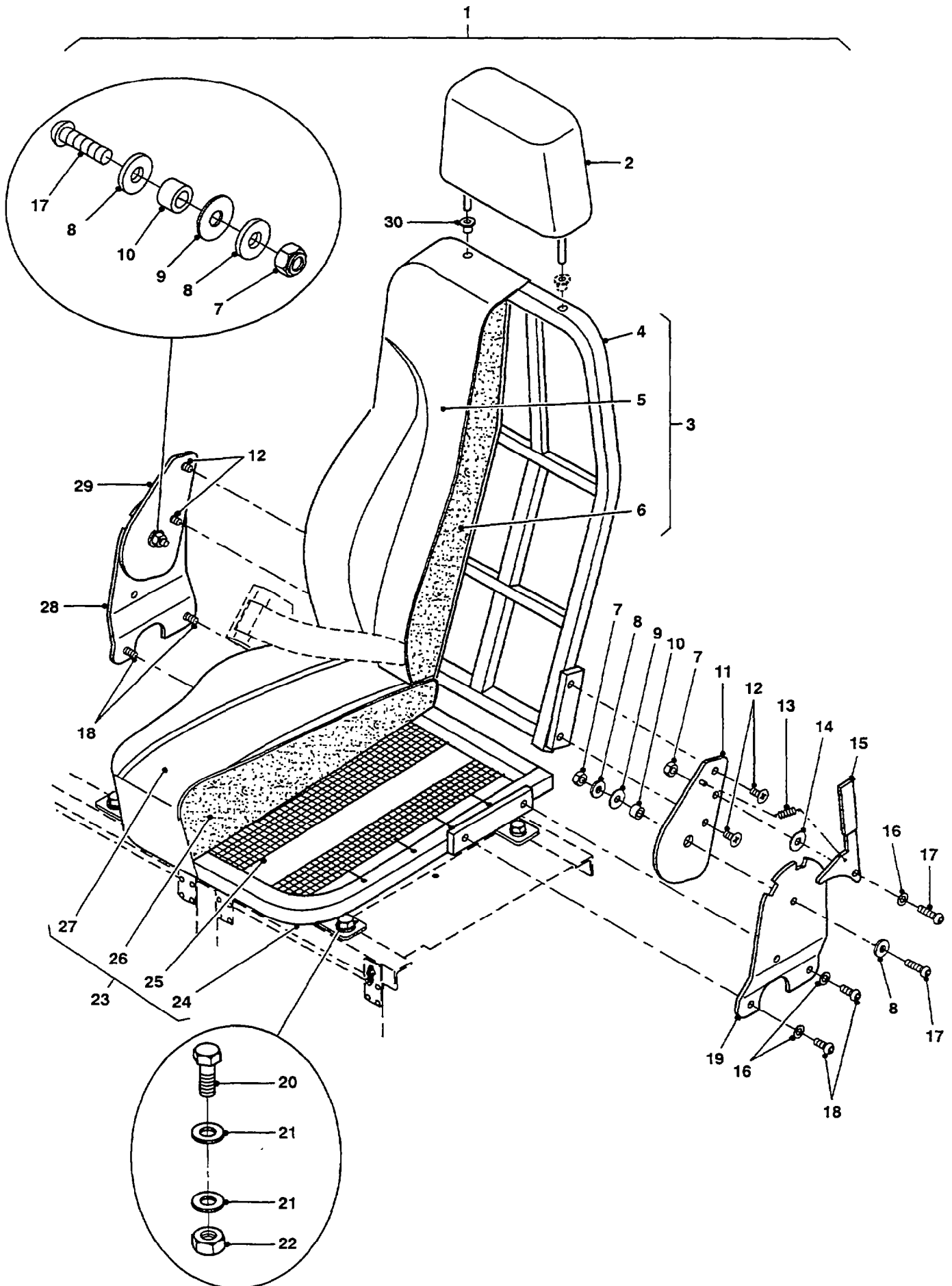
REPAIR PARTS SCALE: 02226

PAGE NO: 28

\* GRADE OF REPAIR (LIGHT, MEDIUM OR HEAVY)

# GROUP SSA

# 02226



## REAR SEAT ASSEMBLY - COMMAND POST A

## UNCONTROLLED WHEN PRINTED

GROUP SSA  
TITLE REAR SEAT ASSEMBLY - COMMAND POST

ITEM NO	DESIGNATION	NSN MANUFACTURER CODE/PART NO SUPPLIER CODE/PART NO	NO OFF	U O	E X	L* M* H*
001	SEAT, VEHICULAR ASSEMBLY, TILT (INCLUDES SSA 002 TO SSA 019 AND SSA 023 TO SSA 030)	2540 66-144-8848 Z5186/729LF-100 Z5394/HYM894	2	EA	X	LMH
901	COVER, SEAT, VEHICULAR SEAT BASE, CANVAS, BLACK, GREEN AND TAN DISRUPTIVE PATTERN "DPP", 555MM LG X 440MM W, CORD TIE DOWN FASTENER	2540 66-142-8882 Z5394/BYG8019 Z5394/BYG8019	2	EA	X	LMH
902	COVER, SEAT, VEHICULAR PROTECTIVE, SQUAB	2540 66-144-8849 Z5394/BYG8024 Z5394/BYG8024	2	EA	X	LMH
002	HEAD REST, SEAT, 290 MM LG BY 175 MM BY 65 MM THK WITH 2 GUIDE RAILS, 8 MM DIA. (ALSO PART OF SSA 001)	Z5186/27-514 Z5394/HYM870	2			
003	SQUAB ASSEMBLY, SEAT (INCLUDES SSA 004 TO SSA 006, ALSO PART OF SSA 001)	2540 66-144-8850 Z5186/27-517 Z5394/HYM898	1	EA	X	LMH
004	FRAME, SEAT BACK, STEEL (ALSO PART OF SSA 001 AND SSA 003)	Z5186/02-563 Z5186/02-563	2			
005	COVER, SQUAB (ALSO PART OF SSA 001 AND SSA 003)	Z5186/18-606 Z5394/HYM899	1			
006	FOAM, SEAT, SQUAB (ALSO PART OF SSA 001 AND SSA 003)	Z5186/10-537 Z5186/10-537	2			
007	NUT, NYLOC, M8 (ALSO PART OF SSA 001)	Z5186/09-041 Z5394/HYM905	2			
008	WASHER, FLAT, M8 BY 22 MM OD BY 3 MM THK. (ALSO PART OF SSA 001)	Z5186/09-023 Z5394/HYM902	8			
009	WASHER, SPECIAL SHAPE (ALSO PART OF SSA 001)	Z5186/22-059 Z5394/HYM884	2			
010	BUSH, PIVOT (ALSO PART OF SSA 001)	Z5186/23-068 Z5394/HYM906	2			

ISSUE NO: 1

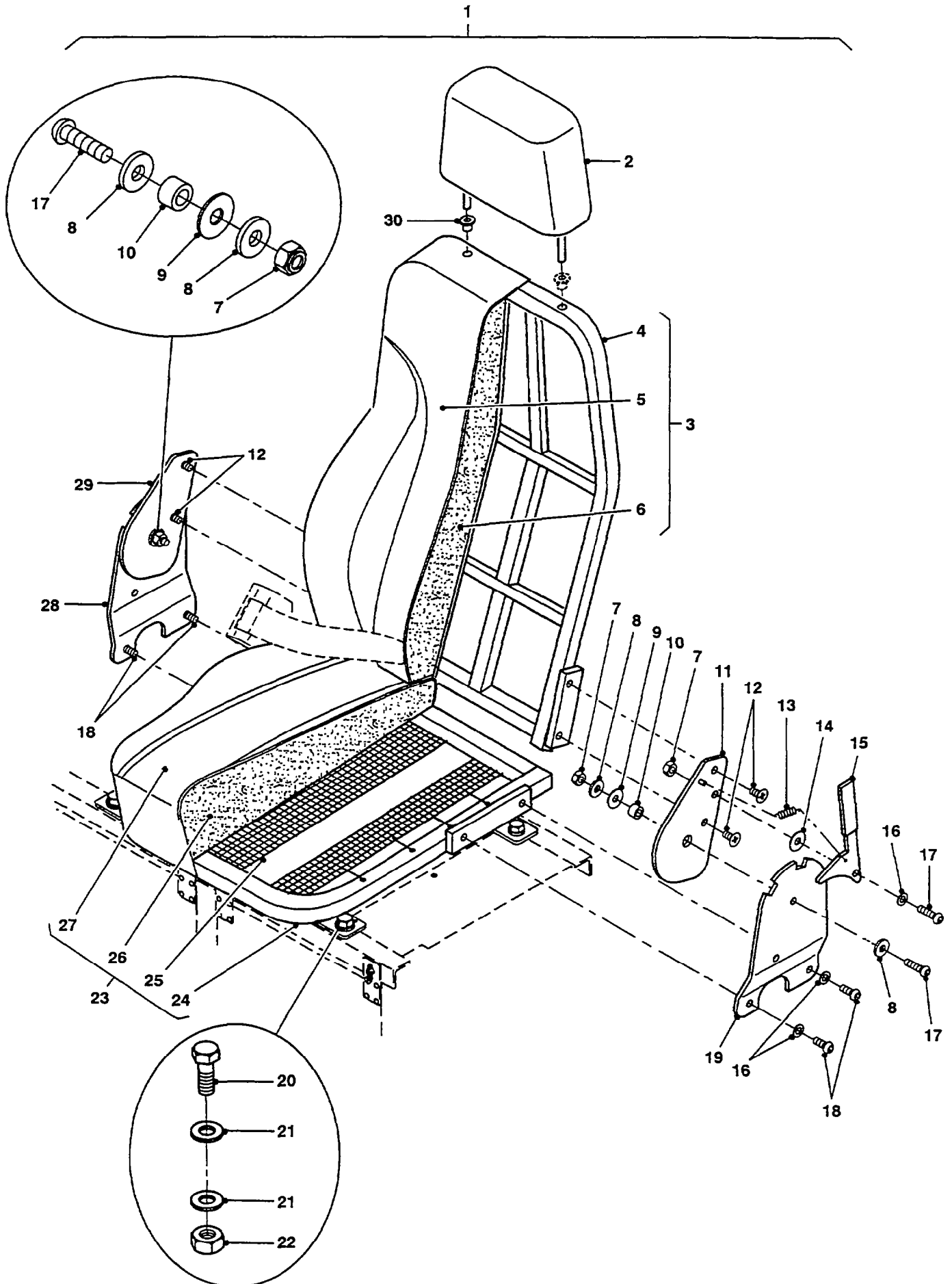
REPAIR PARTS SCALE: 02226

PAGE NO: 29

\* GRADE OF REPAIR (LIGHT, MEDIUM OR HEAVY)

# GROUP SSA

02226



**REAR SEAT ASSEMBLY - COMMAND POST** A

## UNCONTROLLED WHEN PRINTED

GROUP SSA  
 TITLE REAR SEAT ASSEMBLY - COMMAND POST

ITEM NO	DESIGNATION	NSN MANUFACTURER CODE/PART NO SUPPLIER CODE/PART NO	NO OFF	U O I	E X P	L* M* H*
011	MECHANISM, UPPER, LH. (ALSO PART OF SSA 001)	Z5186/06-183L Z5394/HYM909	1			
012	SCREW, M8 BY 12 MM LG, CROSS RECESS, COUNTERSUNK, HD. (ALSO PART OF SSA 001)	Z5186/09-118 Z5394/HYM901	4			
013	SPRING, LOCK LEVER RETURN (ALSO PART OF SSA 001)	Z5186/24-015 Z5394/HYM958	1			
014	BUSH, TILT LOCK (ALSO PART OF SSA 001)	Z5186/23-078 Z5394/HYM910	1			
015	LOCK, TILT (ALSO PART OF SSA 001)	Z5186/06-184AL Z5394/HYM911	1			
016	WASHER, FELT, M8 (ALSO PART OF SSA 001)	Z5186/09-115 Z5394/HYM903	5			
017	BOLT, M8 BY 25 MM LG, BHCS (ALSO PART OF SSA 001)	Z5186/09-045 Z5394/HYM876	3			
018	BOLT, M8 BY 12 MM LG, BHCS (ALSO PART OF SSA 001)	Z5186/09-051 Z5394/HYM427	4			
019	MECHANISM, LOWER, LH. (ALSO PART OF SSA 001)	Z5186/06-240L Z5394/HYM912	1			
020	BOLT, HEX HD, M8 BY 40 MM LG.	Z5394/BH110401 Z5394/BH110401	8			
021	WASHER, FLAT, M8	Z5394/WA108001 Z5394/WA108001	16			
022	NUT, NYLOC, M8	Z5394/NY108001 Z5394/NY108001	8			
023	CUSHION ASSEMBLY (INCLUDES SSA 024 TO SSA 027, ALSO PART OF SS 001)	2540 66-144-8851 Z5186/27-518 Z5394/HYM907	1	EA	X	LMH

ISSUE NO: 1

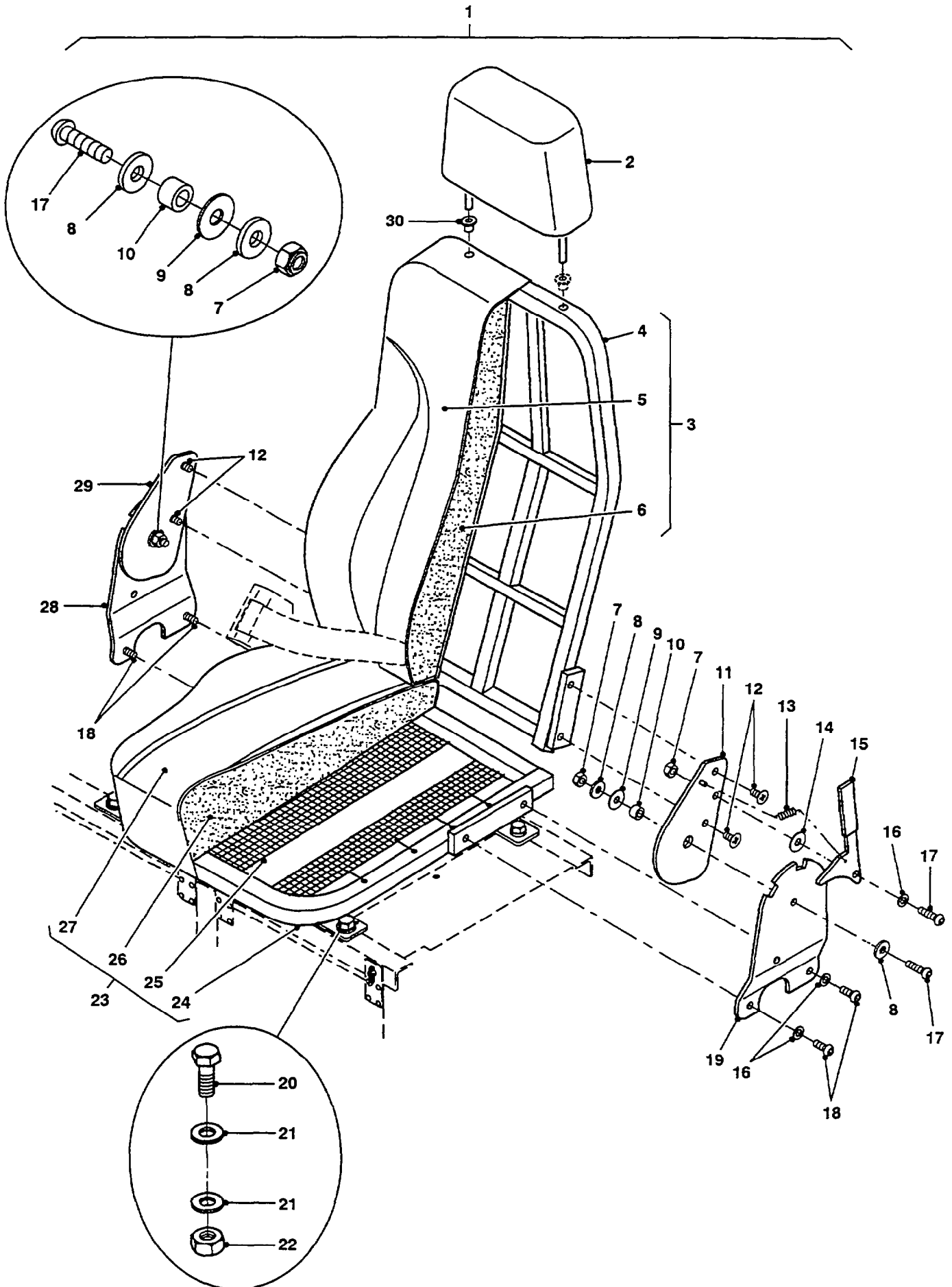
REPAIR PARTS SCALE: 02226

PAGE NO: 30

\* GRADE OF REPAIR (LIGHT, MEDIUM OR HEAVY)

# GROUP SSA

# 02226



## REAR SEAT ASSEMBLY - COMMAND POST <sup>A</sup>

## UNCONTROLLED WHEN PRINTED

GROUP SSA  
 TITLE REAR SEAT ASSEMBLY - COMMAND POST

ITEM NO	DESIGNATION	NSN MANUFACTURER CODE/PART NO SUPPLIER CODE/PART NO	NO OFF	U O I	E X P	L* M* H*
024	FRAME, LOWER (ALSO PART OF SSA 001 AND SSA 023)	Z5186/02-564 Z5186/02-564	1			
025	WEB ASSEMBLY (ALSO PART OF SSA 001 AND SSA 023)	Z5186/13-514 Z5186/13-514	1			
026	FOAM ASSEMBLY (ALSO PART OF SSA 001 AND SSA 023)	Z5186/10-531 Z5186/10-531	1			
027	COVER, CUSHION (ALSO PART OF SSA 001 AND SSA 023)	Z5186/18-608 Z5394/HYM908	1			
028	MECHANISM, LOWER, RH. (ALSO PART OF SSA 001)	Z5186/06-240R Z5394/HYM904	1			
029	MECHANISM, UPPER, RH. (ALSO PART OF SSA 001)	Z5186/06-183R Z5394/HYM900	1			
030	BUSH, TRIM, HEADREST (ALSO PART OF SSA 001)	Z5186/12-018A Z5394/HYM871	2			

ISSUE NO: 1

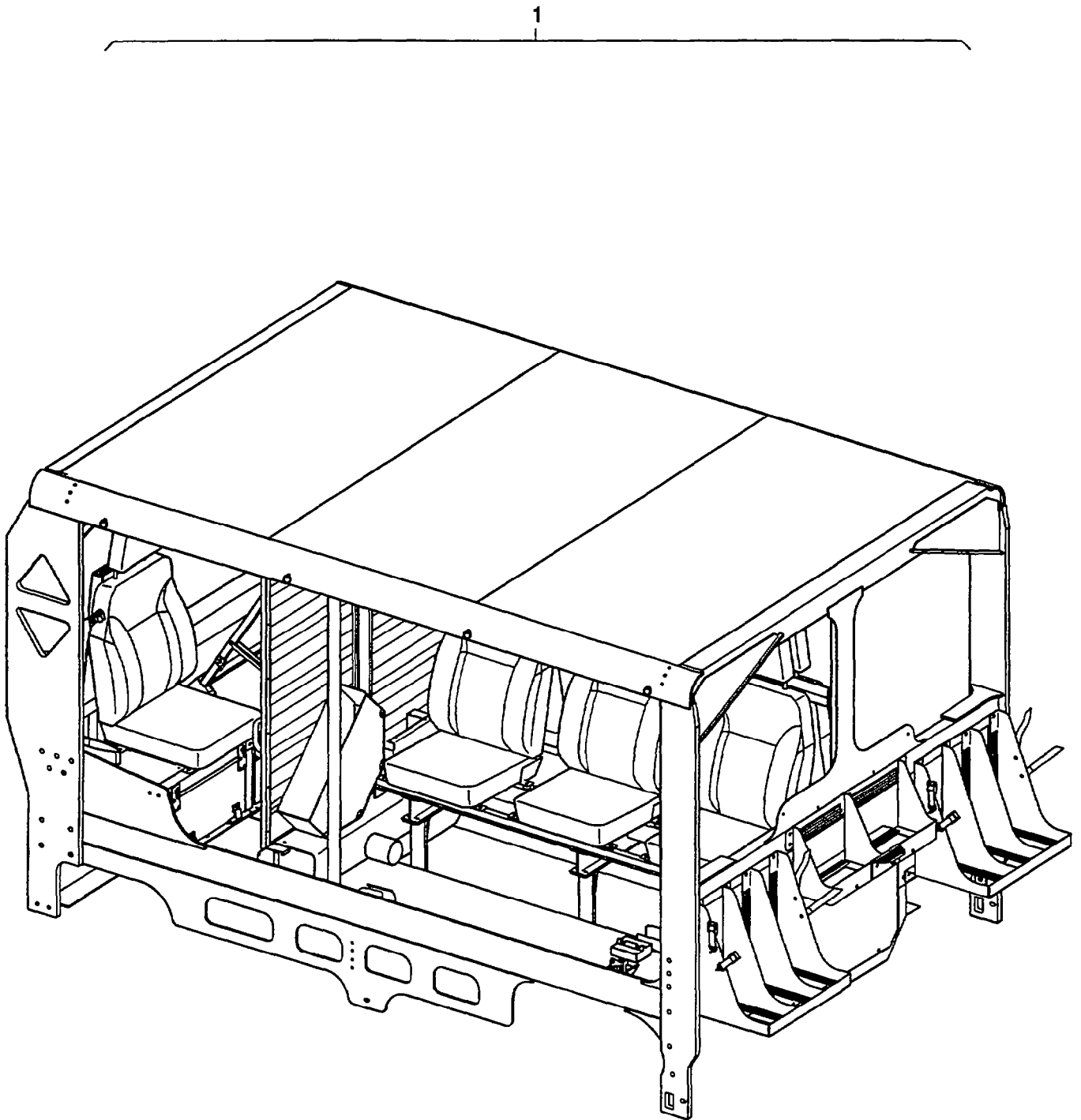
REPAIR PARTS SCALE: 02226

PAGE NO: 31

\* GRADE OF REPAIR (LIGHT, MEDIUM OR HEAVY)

**GROUP W**

**02226**



**MODULE ASSEMBLY - MORTAR CARRIER A**

UNCONTROLLED WHEN PRINTED

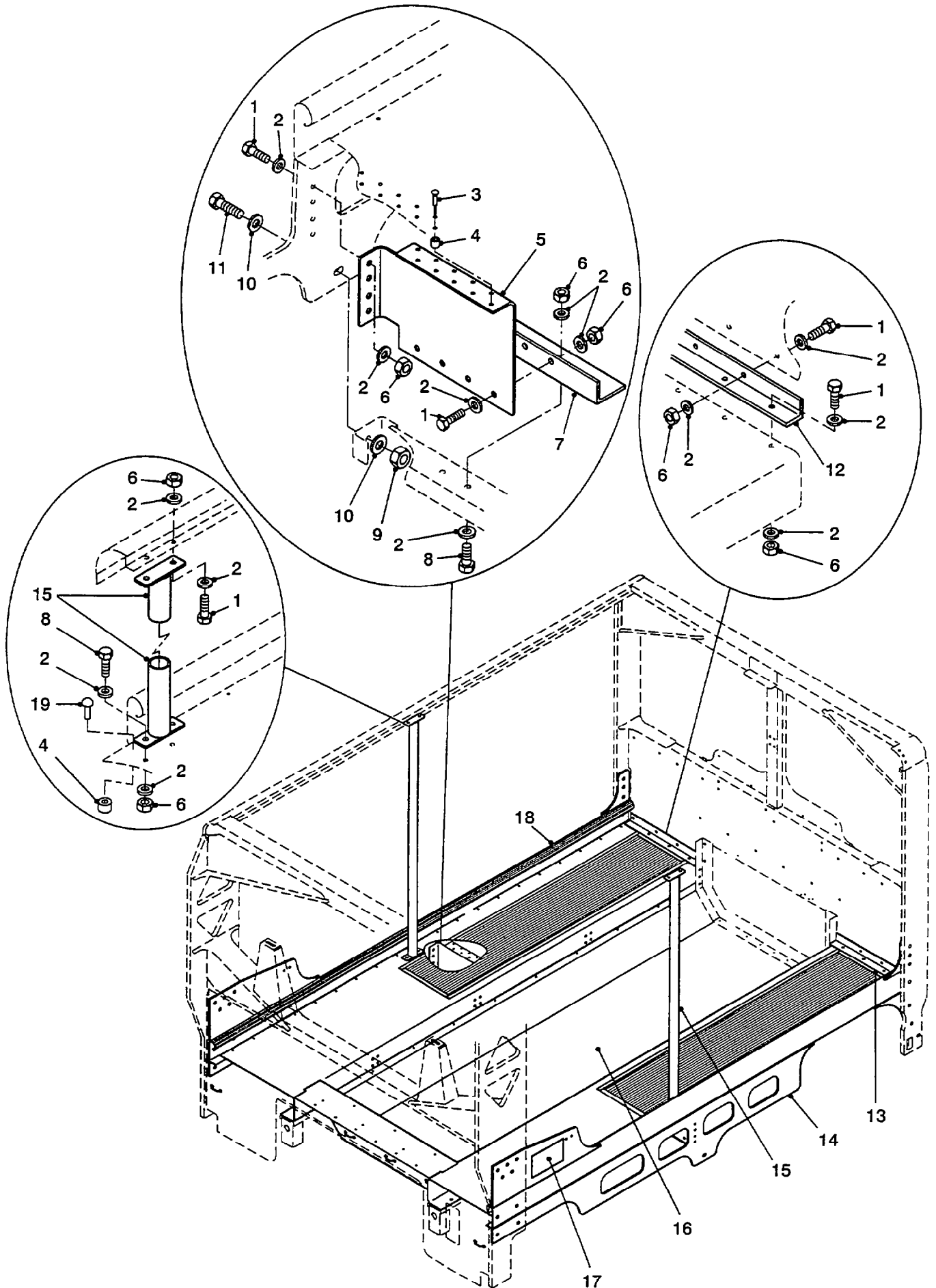
GROUP W  
 TITLE MODULE ASSEMBLY - MORTAR CARRIER

ITEM NO	DESIGNATION	NSN MANUFACTURER CODE/PART NO SUPPLIER CODE/PART NO	NO OFF	U O I	E X P	L* M* H*
001	MODULE ASSEMBLY, MORTAR, COMPLETE (INCLUDES GROUPS WA TO WEB, AND WED TO WGA)	Z3522/008-555 Z3522/008-555	1			

\* GRADE OF REPAIR (LIGHT, MEDIUM OR HEAVY)

# GROUP WA SHEET 1

02226



## FRAME AND FLOOR

GROUP WA/1  
TITLE FRAME AND FLOOR

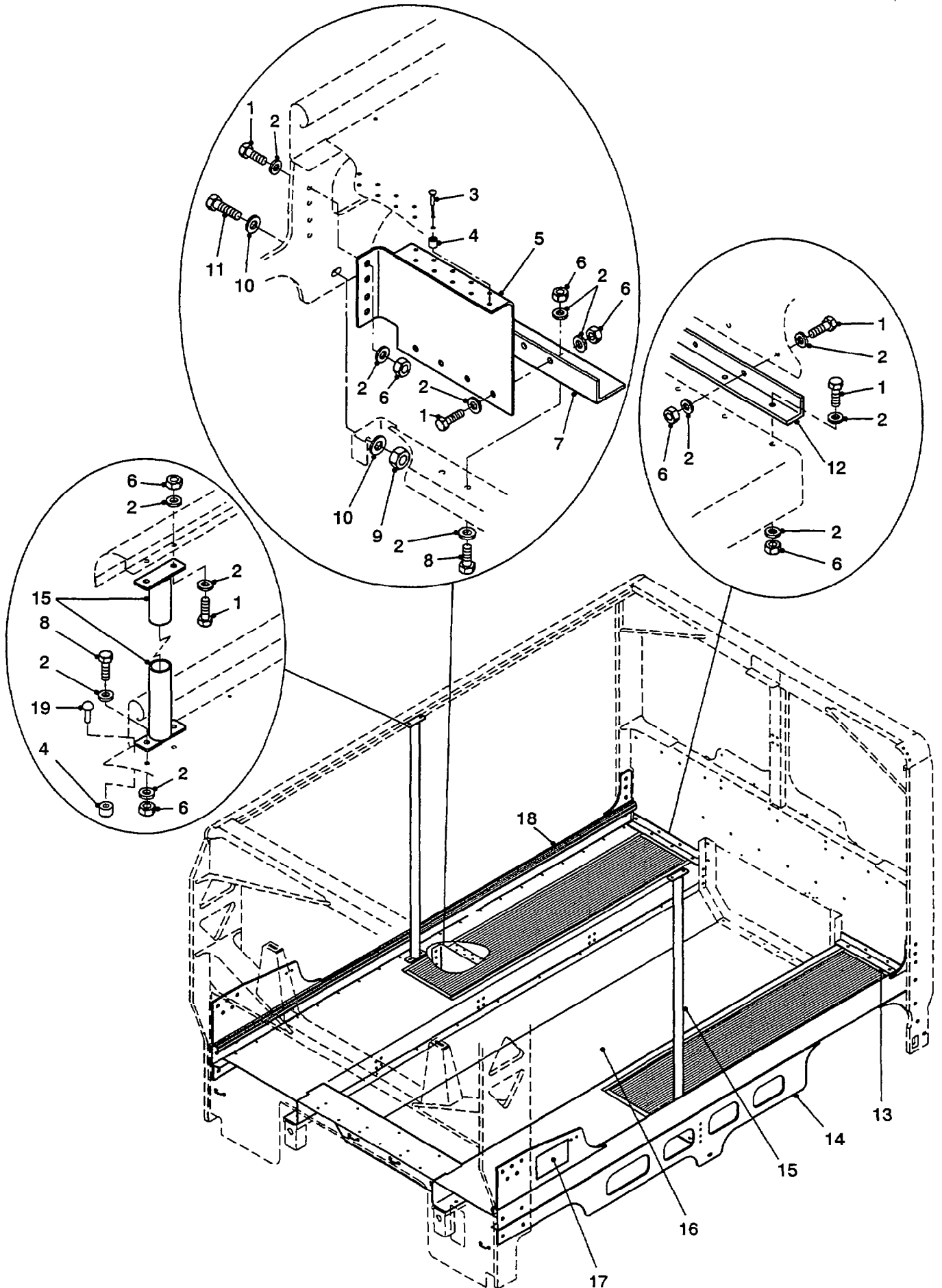
ITEM NO	DESIGNATION	NSN MANUFACTURER CODE/PART NO SUPPLIER CODE/PART NO	NO OFF	U O I	E X P	L* M* H*
001	BOLT, HEX HD, M10 BY 30 MM LG, ZINC PLATED, BLACK	Z3522/008558-BO10030M Z5394/BH110064	32			
002	WASHER, FLAT, STEEL, M10, ZINC PLATED, BLACK	Z3522/008561-BA100000 Z5394/WA110064	80			
003	RIVET, FLUSH HD, 1/4 INCH BY 0.810 INCH LG, STEEL, ZINC PLATED	Z1742/C6L90-R8-46 Z5394/HYM1005	20			
004	COLLAR, FULL, AVDELOK, 1/4 INCH , STEEL, ZINC PLATED	Z1742/2662-0800 Z5394/HYM931	104			
005	GUSSET, UNDER FLOOR, 3.5 MM, ALUMINIUM PLATE, 5083 H321, LEFT	Z4681/43-0082-1L Z5394/FYD0082/1L	2			
901	GUSSET, UNDER FLOOR, 3.5 MM, ALUMINIUM PLATE, 5083 H321, RIGHT	Z4681/43-0082-1R Z5394/FYD0082/1R	1			
006	NUT, SELF LOCKING, HEX, M10, ZINC PLATED, BLACK	Z3522/008562-AE100000 Z5394/NZ110044	40			
007	ANGLE, INTERMEDIATE UNDER FLOOR PLATE TO CHASSIS, 76.2 MM BY 50.8 MM BY 6.35 MM, ALUMINIUM L 6061 T6, 433 MM LG, RIGHT	Z4681/43-1013-2 Z5394/FYD1013/2	2			
008	BOLT, HEX HD, M10 BY 25 MM, ZINC PLATED, BLACK	Z3522/008558-BO10025M Z5394/SH110254	8			
009	NUT, NYLOC, M12	Z3522/008562-AE12000M Z5394/NY112041	2			
010	WASHER, FLAT, STEEL, M12, ZINC PLATED, BLACK	Z3522/008561-AC120000 Z5394/WA112001	4			
011	BOLT, HEX HD, M12 BY 40 MM LG, ZINC PLATED, BLACK	U1030/BH112084 Z5394/BH112084	2			
012	ANGLE, FLOOR TO REAR ROPS, 50.8 MM BY 50.8 MM BY 6.35 MM, ALUMINIUM, L 5061 T6, 536 MM LG, RIGHT	Z4681/43-1013-5R Z5394/FYD1013/5R	1			

ISSUE NO: 1 REPAIR PARTS SCALE: 02226 PAGE NO: 33

\* GRADE OF REPAIR (LIGHT, MEDIUM OR HEAVY)

# GROUP WA SHEET 1

02226



## FRAME AND FLOOR

## UNCONTROLLED WHEN PRINTED

GROUP WA/1  
 TITLE FRAME AND FLOOR

ITEM NO	DESIGNATION	NSN MANUFACTURER CODE/PART NO SUPPLIER CODE/PART NO	NO OFF	U O	E X	L* M* H*
013	ANGLE, FLOOR TO REAR ROPS, 50.8 MM BY 50.8 MM BY 6.35 MM, ALUMINIUM, L 6061 T6, 536 MM LG, LEFT	Z4681/43-1013-5L Z5394/FYD1013/5L	1			
014	SIDE UNDERRUN ASSEMBLY, RIGHT	Z4681/43-1010-9R Z5394/FYD1010/9R	1			
015	GRAB HANDLE ASSEMBLY, DIA 48.4 MM BY 4.47 MM THK WALL, ALUMINIUM TUBE, 6061 T6 WITH 6 MM PLATE, 5083 H116 WELDED TO EACH END	Z4681/43-0070 Z5394/FYD0070	2			
016	PRESSING, BELLY, 1.6 MM, ALUMINIUM, 5251 H34, 2770 MM LG.	Z4681/43-0081-1 Z5394/FYD0081/1	1			
017	DECAL, MAX ROOF LOAD, AUTOGRAPH VINYL, BLACK, 205 MM BY 90 MM (REFER SGD 014)	Z3522/008-509 Z5394/GYD509	2			
018	SIDE UNDERRUN ASSEMBLY, LEFT	Z4681/43-1010-9L Z5394/FYD1010/9L	1			
019	RIVET, BRAZIER HD, 1/4 INCH BY 0.312 INCH LG, STEEL, ZINC PLATED	Z1742/2621-0806 Z5394/HYM930	84			

ISSUE NO: 1

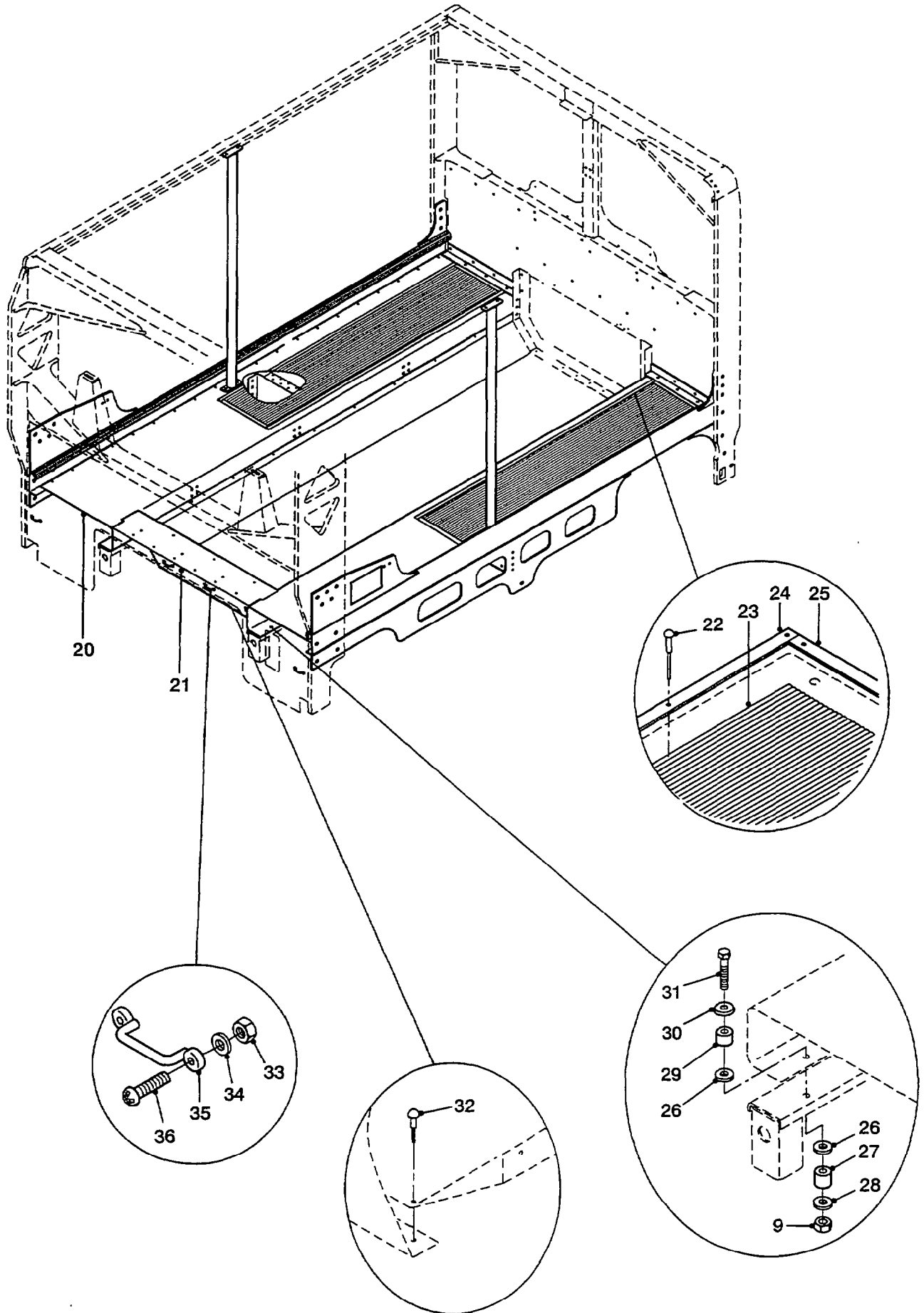
REPAIR PARTS SCALE: 02226

PAGE NO: 34

\* GRADE OF REPAIR (LIGHT, MEDIUM OR HEAVY)

# GROUP WA SHEET 2

02226



## FRAME AND FLOOR

## UNCONTROLLED WHEN PRINTED

GROUP WA/2  
TITLE FRAME AND FLOOR

ITEM NO	DESIGNATION	NSN MANUFACTURER CODE/PART NO SUPPLIER CODE/PART NO	NO OFF	U O	E X	L* M* H*
020	PRESSING, FLOOR, 3.5 MM, ALUMINIUM, 5083 H321, 3000 MM LG, RIGHT	Z4681/43-0080-1R Z5394/FYD0080/1R	1			
902	PRESSING, FLOOR, 3.5 MM, ALUMINIUM, 5083 H321, 3000 MM LG, LEFT	Z4681/43-0080-1L Z5394/FYD0080/1L	1			
021	PRESSING, BELLY END, 2 MM, ALUMINIUM SHEET, 5251 H34	Z4681/43-1914 Z5394/FYD1914	1			
022	RIVET, CHERRY, ALUMINIUM, 4.8 MM BY 14.5 MM LG.	Z1F95/0115-4900 Z5394/RA612373	48			
023	MATTING, RUBBER, PEAK RIBBED, 1875 MM BY 420 MM BY 3 MM - 60 DURO, BLACK (MANUFACTURE FROM WA 906)	/NIL /NIL	2			
903	ADHESIVE SYNTHETIC RUBBER/RESIN, 1/2 PINT 2PART PACK, TIN OF BASE AND BOTTLE OF HARDENER ADHESIVE, 2 PART PACK (USED TO SECURE WA 023, WC 025, WEE 010, WEF 026, WEF 029, WF 007 AND WF 021)	8040 99-220-2553 U2215/BOSTIK 2402 U2215/BOSTIK 2402	1	KT	X	LMH
904	HARDENER, ADHESIVE (USED WITH WA 903)	8040 66-132-1327 Z0775/BOSTIK 9101 Z0775/BOSTIK 9101	150	EA	X	LMH
905	THINNER, ADHESIVE (USED WITH WA 903 AND WA 904)	8040 66-131-2610 Z0775/BOSTIK 9913 Z0775/BOSTIK 9913	1	CN	X	LMH
906	RUBBER SHEET, SOLID RIBBED, BLACK, 10 MR LG, 1200 MM W, 4 MM THK (USE AS REQUIRED)	5330 66-144-6336 Z2T55/GFM001 Z5394/HYG7748	1	EA	X	LMH
024	STRIP, TRIM, TABLE EDGE EXTRUSION, ALUMINIUM ALLOY, 8060 T1, 1875 MM LG.	Z5394/HYG7764 Z5394/HYG7764	4			
025	STRIP, TRIM, TABLE EDGE EXTRUSION, ALUMINIUM ALLOY, 8060 T1, 420 MM LG.	Z5394/HYG7762 Z5394/HYG7762	4			

ISSUE NO: 1

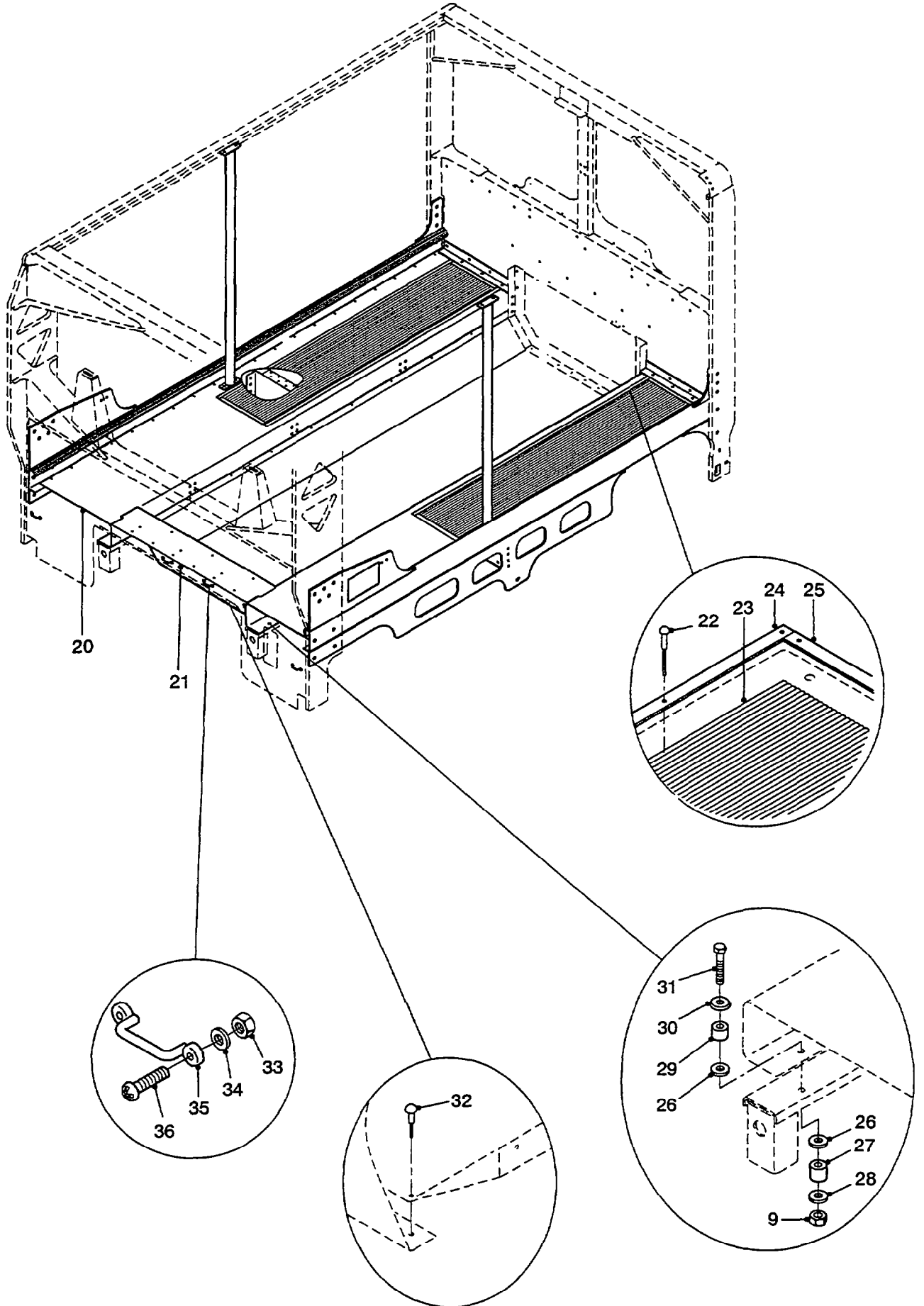
REPAIR PARTS SCALE: 02226

PAGE NO: 35

\* GRADE OF REPAIR (LIGHT, MEDIUM OR HEAVY)

# GROUP WA SHEET 2

02226



## FRAME AND FLOOR

## UNCONTROLLED WHEN PRINTED

GROUP WA/2  
TITLE FRAME AND FLOOR

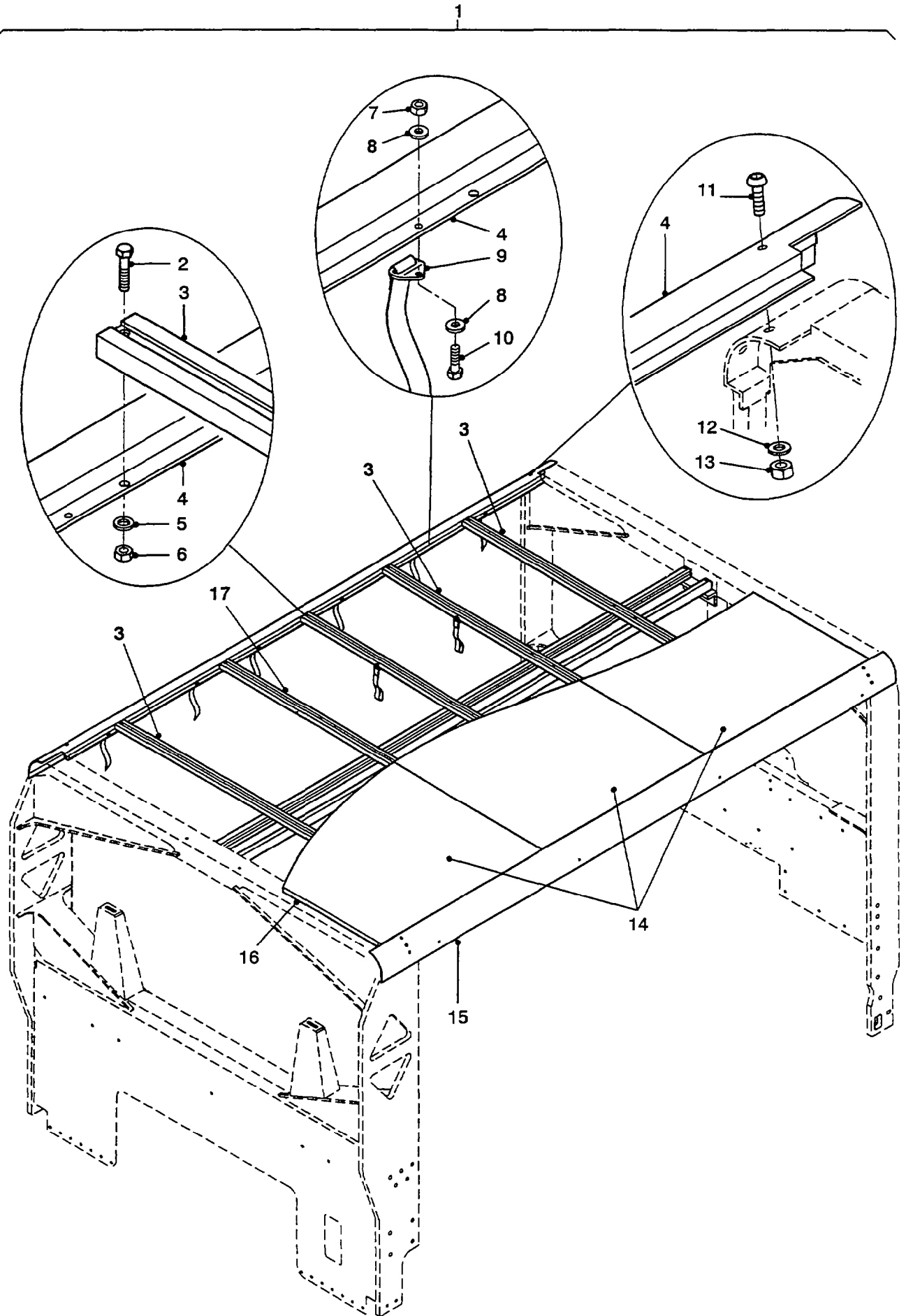
ITEM NO	DESIGNATION	NSN MANUFACTURER CODE/PART NO SUPPLIER CODE/PART NO	NO OFF	U O	E X	L* M* H*
026	WASHER, FLAT 40 MM OD, 12 MM ID, 3 MM THK, STEEL SHERADISED WASHER	U1030/WJ112001 Z5394/WJ112001	24			
027	MOUNT RESILIENT, 13 MM BY 30 MM BY 23 MM, POLYURETHANE, LOWER	Z5394/MYH3705 Z5394/MYH3705	12			
028	WASHER, 'D'	Z5394/MYH3706 Z5394/MYH3706	6			
029	MOUNT RESILIENT, 13 MM BY 30 MM BY 15 MM, POLYURETHANE, UPPER	Z5394/MYH3701 Z5394/MYH3701	12			
030	WASHER CUPPED, 40 MM BY 12.5 MM	Z5394/MYH3703 Z5394/MYH3703	18			
031	BOLT, HEX. HD, M12 BY 65 MM LG, ZINC PLATED	U1030/BH112131 Z5394/BH112131	12			
032	BOLT, SHOULDER 1/4 IN DIA MONOBOLT	Z4681/72-0075 Z5394/HYL8931	52			
033	NUT, SELF-LOCKING, HEXAGON NYLON INSERT, 5 MM COURSE THD, MEDIUM TENSILE, ZINC PLATED NUT	Z3522/008562-BE05000M Z5394/NY105041	10			
034	WASHER, FLAT RD, STEEL, ZINC PLATED, 6 MMNOM BOLT SIZE, 12.50 MM OD, 1.60 MM THK WASHER	Z3522/008561-BA050000 Z5394/WA105001	10			
035	BREECHING STAPLE	ZL110/9905 Z5394/HYM1002	5			
036	SCREW, PAN HD, M5 BY 0.8 MM BY 16 MM LG.	U1030/SE105161 Z5394/SE105161	10			

ISSUE NO: 1

REPAIR PARTS SCALE: 02226

PAGE NO: 36

\* GRADE OF REPAIR (LIGHT, MEDIUM OR HEAVY)



ROOF ASSEMBLY

## UNCONTROLLED WHEN PRINTED

GROUP WB/1  
TITLE ROOF ASSEMBLY

ITEM NO	DESIGNATION	NSN MANUFACTURER CODE/PART NO SUPPLIER CODE/PART NO	NO OFF	U O I	E X P	L* M* H*
001	ROOF ASSEMBLY (INCLUDES WB 002 TO WB 023)	Z4681/43-1516 Z5394/FYD1516	1			
002	BOLT, HEX HD, M8 BY 40 MM LG, ZINC PLATED, BLACK (ALSO PART OF WB 001)	Z3522/008562-B008040M Z5394/BH108084	10			
003	BOW, CROSS, ROOF, ALUMINIUM EXTRUSION, P1040R, 6061 T6, PARTITION SUPPORTING, 1946 MM LG. (ALSO PART OF WB 001)	Z4681/43-1017-3 Z5394/FYD1017/3	4			
004	CANT RAIL, RH, ALUMINIUM EXTRUSION, U9756R, 6351 T5, 3158 MM LG, LEFT (ALSO PART OF WB 001)	Z3522/008-645 Z5394/GYD645	1			
005	WASHER FLAT, M8, ZINC PLATED, BLACK (ALSO PART OF WB 001)	Z3522/008561-BA080000 Z5394/WA108004	28			
006	NUT, SELF LOCKING, HEX, M8, ZINC PLATED, BLACK (ALSO PART OF WB 001)	Z3522/008562-BE08000M Z5394/NY108004	24			
007	NUT, SELF-LOCKING, HEXAGON M6, STEEL, ZINC PLATED, BLACK (ALSO PART OF WB 001)	5310 66-144-6472 Z3522/008562-BE06000M Z5394/NY106004	20EA		X	LMH
008	WASHER, FLAT M6, STEEL, ZINC PLATED, BLACK (ALSO PART OF WB 001)	5310 66-144-6474 Z3522/008561-BA060000 Z5394/WA106004	32EA		X	LMH
009	STRAP, WEBBING CANOPY, SIDE TIE-UP (INCLUDES WB 901, WB 902 AND WB 903, ALSO PART OF WB 001)	5340 66-144-6476 Z4681/43-1041 Z5394/FYD1041	12EA		X	LMH
901	STRAP, RETAINING, NYLON WEBBING, 25 MM BY 470 MM (ALSO PART OF WB 009)	Z4681/43-1041-1 Z4681/43-1041-1	1			
902	BUCKLE, RETAINING END, 3 MM, (ALSO PART OF WB 009)	Z4681/43-1041-2 Z4681/43-1041-2	1			
903	BUCKLE PLASTIC, OLIVE DRAB, MALE. 3 PRONG (ALSO PART OF WB 009)	5340 66-144-6477 Z4681/43-1041-3 Z4681/43-1041-3	1EA		X	LMH

ISSUE NO: 1

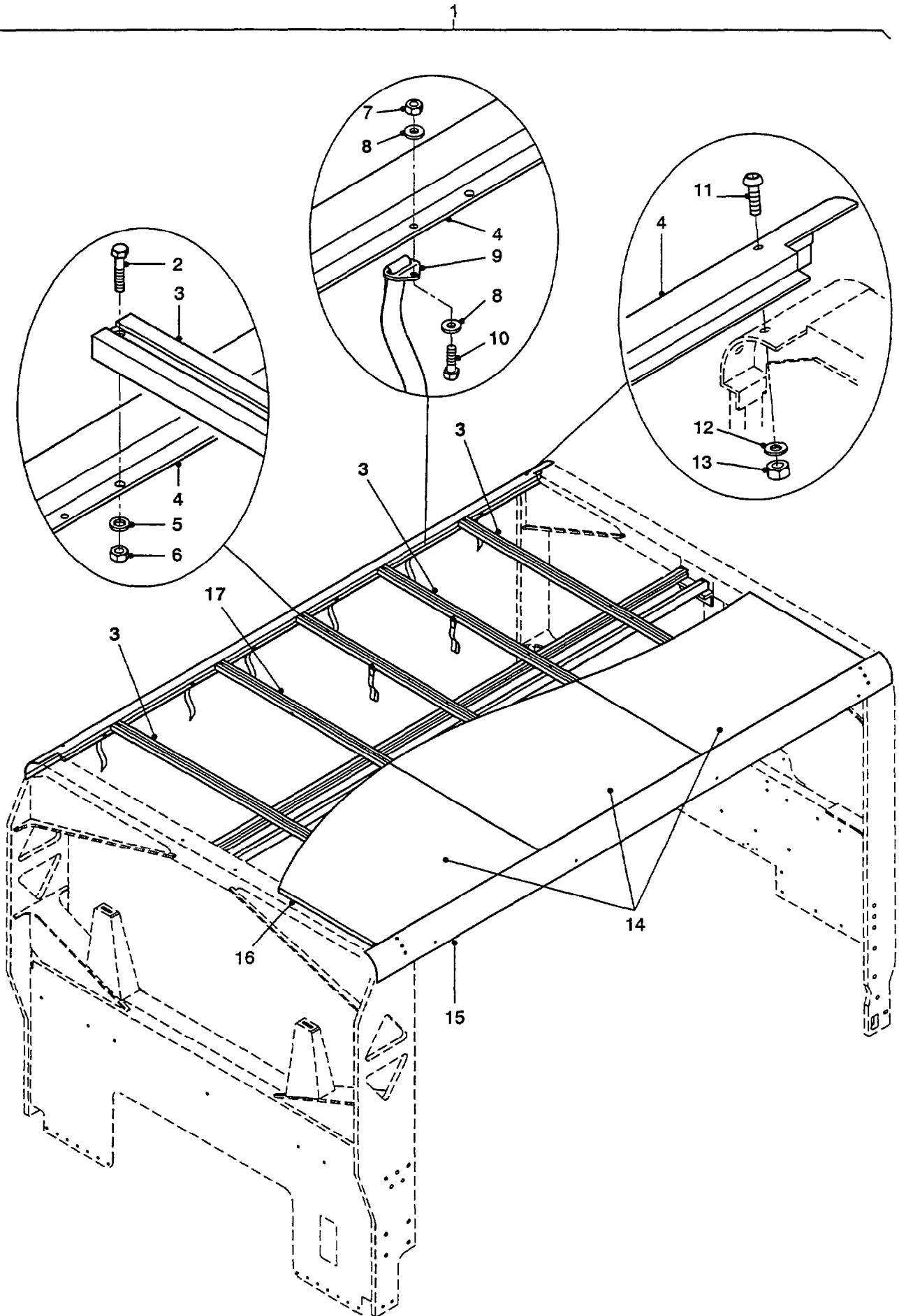
REPAIR PARTS SCALE: 02226

PAGE NO: 37

\* GRADE OF REPAIR (LIGHT, MEDIUM OR HEAVY)

# GROUP WB SHEET 1

02226



## ROOF ASSEMBLY

## UNCONTROLLED WHEN PRINTED

GROUP WB/1  
TITLE ROOF ASSEMBLY

ITEM NO	DESIGNATION	NSN MANUFACTURER CODE/PART NO SUPPLIER CODE/PART NO	NO OFF	U O I	E X P	L* M* H*
010	BOLT, MACHINE M6 X 25MM LG, HEX HD, ZINC PLATED BLACK (ALSO PART OF WB 001)	5306 66-144-6369 Z3522/008558-B006025M Z5394/BH106054	12	EA	X	LMH
011	SCREW, BUTTON HEAD, M10 BY 35 MM LG, ZINC PLATED, BLACK (ALSO PART OF WB 001)	Z3522/008563-BC10035M Z5394/SB110354	12			
012	WASHER, FLAT, M10 (ALSO PART OF WB 001)	Z3522/008561-BA100000 Z5394/WA110001	12			
013	NUT, NYLOC, M10 (ALSO PART OF WB 001)	Z3522/008562-BE1000M Z5394/NY110041	12			
014	SHEET, ROOF, 1.6 MM ALUMINIUM SHEET, 5251 H34, 2004 MM BY 1000 MM (ALSO PART OF WB 001)	Z4681/43-1017-2 Z5394/FYD1017/2	3			
015	CANT RAIL, LH, ALUMINIUM EXTRUSION, U9756R, 6351 T5, 3158 MM LG. (ALSO PART OF WB 001)	Z3522/008-646 Z5394/GYD646	1			
016	PLASTIC SHEET ROOF INSULATION, C/W ADHESIVE BACKING 2000MM LG X 1000MM W X 10MM THK (USE AS REQUIRED, REFER WB 906, ALSO PART OF WB 001)	9330 66-144-6356 Z1J37/LD45FR Z1J37/LD45FR	3	EA	X	LMH
904	TAPE, MULTIPURPOSE POLYESTER, PRESSURE SENSITIVE, DOUBLE SIDED ADHESIVE, 1370 MM LG BY 220 MM W (USED TO SECURE WB 016 TO WB 014, ALSO PART OF WB 001)	8135 66-144-6691 08333/EZ-8 ZG897/EZ-8	1	RO	X	LMH
905	TAPE, ADHESIVE, 3M VHB, 4949 DOUBLE SIDED, 25 MM W, BLACK, 33 MR LG. (USED TO SECURE WB 014 TO ROOF STRUCTURE, ALSO PART OF WB 001)	U6293/4949 U6293/4949	1			
906	TAPE, SEALANT, WATERPROOF (APPLY TO FRONT AND REAR EDGES OF MIDDLE ROOF SHEET, ALSO PART OF WB 001)	U6293/Y389 Z5394/Y389	1			

ISSUE NO: 1

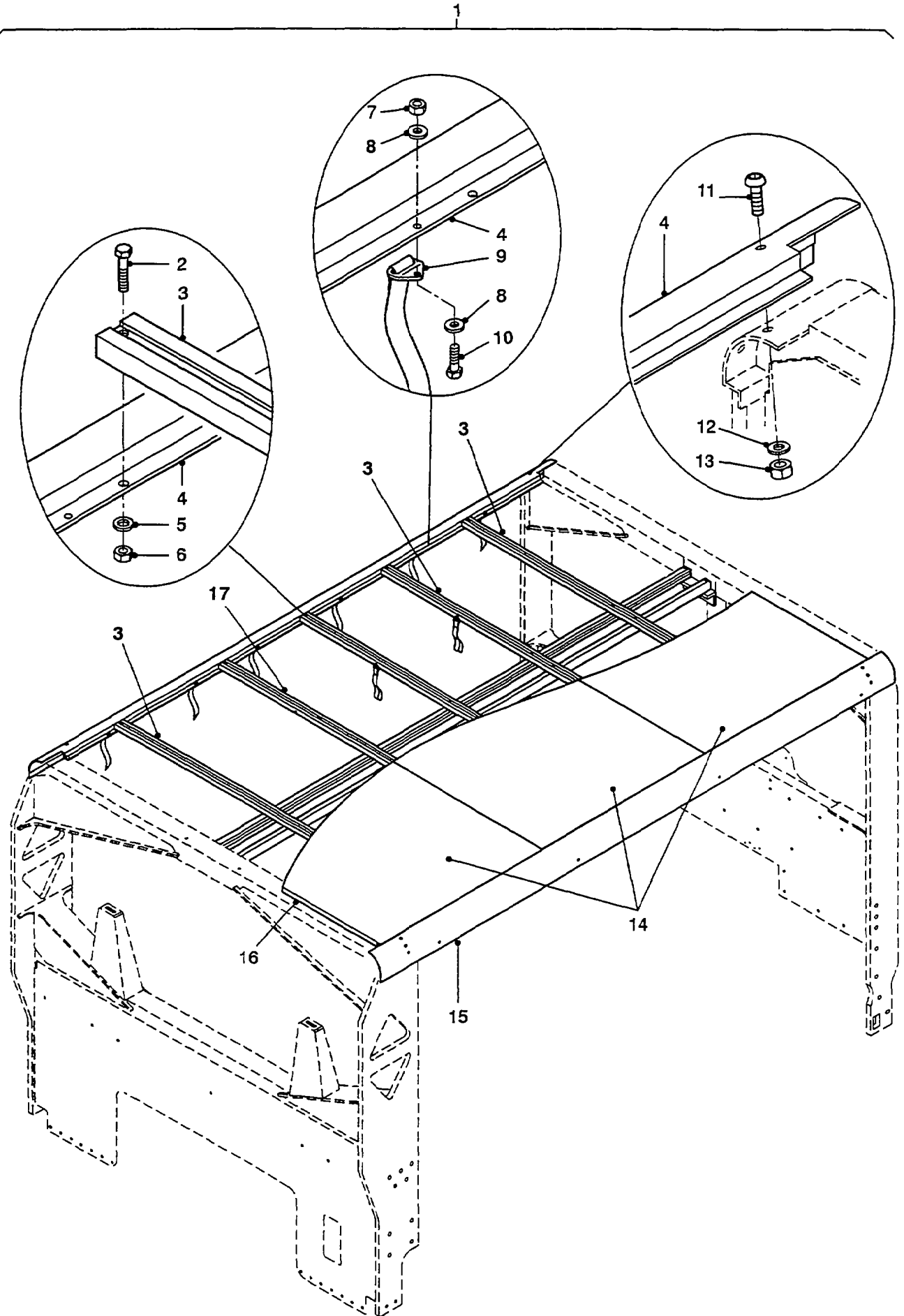
REPAIR PARTS SCALE: 02226

PAGE NO: 38

\* GRADE OF REPAIR (LIGHT, MEDIUM OR HEAVY)

# GROUP WB SHEET 1

02226



## ROOF ASSEMBLY

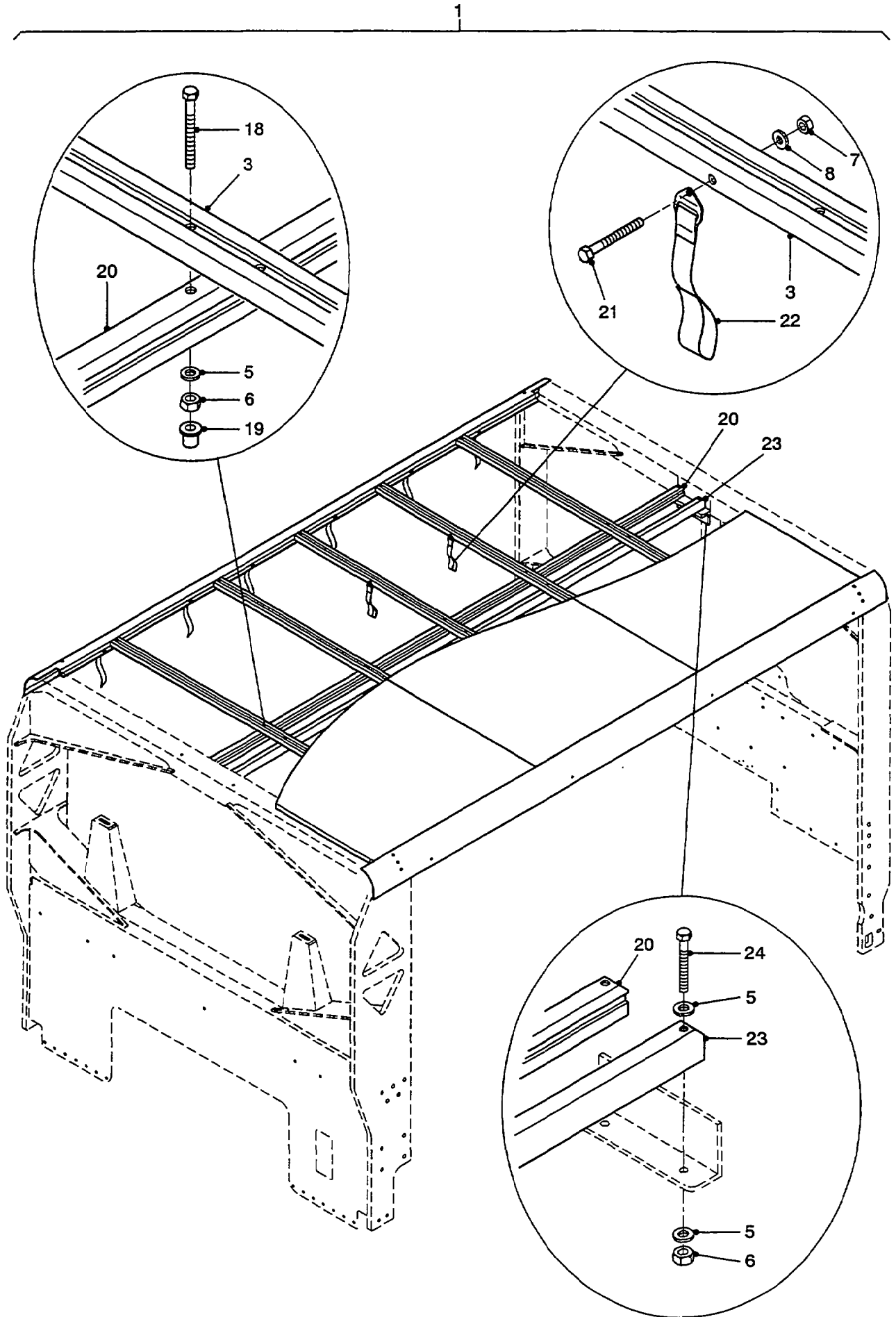
GROUP WB/1  
 TITLE ROOF ASSEMBLY

ITEM NO	DESIGNATION	NSN MANUFACTURER CODE/PART NO SUPPLIER CODE/PART NO	NO OFF	U O I	E X P	L* M* H*
017	BOW, CROSS, ROOF, ALUMINIUM EXTRUSION P 1040R, 6061 T6, 1946 MM LG. (ALSO PART OF WB 001)	Z3522/008-557 Z5394/GYD557	1			

\* GRADE OF REPAIR (LIGHT, MEDIUM OR HEAVY)

# GROUP WB SHEET 2

02226



## ROOF ASSEMBLY

## UNCONTROLLED WHEN PRINTED

GROUP WB/2  
TITLE ROOF ASSEMBLY

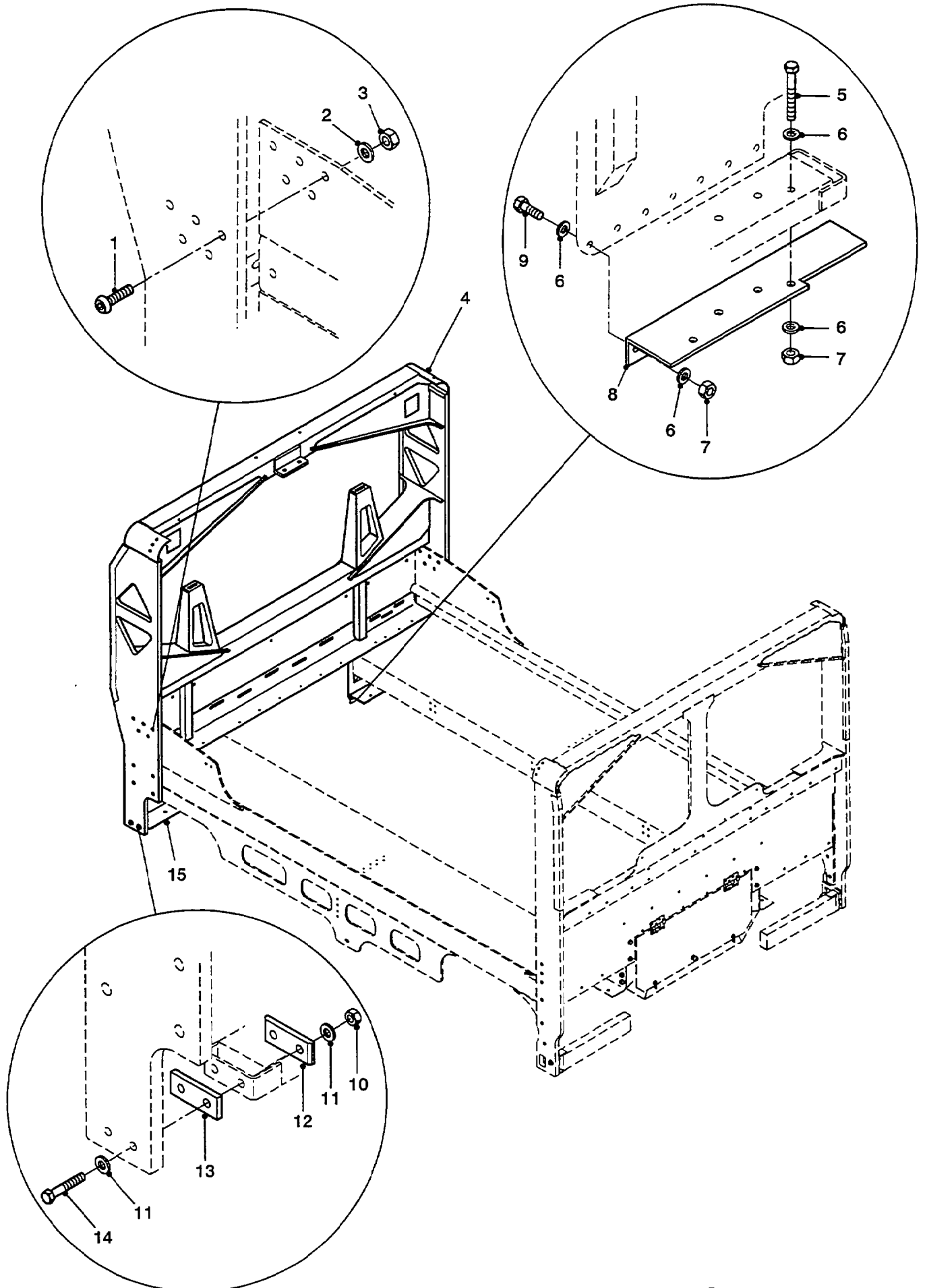
ITEM NO	DESIGNATION	NSN MANUFACTURER CODE/PART NO SUPPLIER CODE/PART NO	NO OFF	U O	E X	L* M* H*
018	BOLT, HEX HD, M8 BY 85 MM LG, ZINC PLATED, BLACK (ALSO PART OF WB 001)	Z3522/008558-B008085M Z5394/BH108174	10			
019	CAP, THREAD PROTECTOR, PLASTIC, RED (USED ON WB 018 AND WB 024, ALSO PART OF WB 001)	Z1397/CP2S Z5394/HYM1011	14			
020	BOW, ROOF, LONGITUDINAL, ALUMINIUM EXTRUSION, P1040R, 6061 T6, 2920 MM LG RH (ALSO PART OF WB 001)	Z4681/43-1017-4R Z5394/FYD1017/4R	1			
021	BOLT, MACHINE 6MM DIA, ISO METRIC, 65MM O/A LG, STEEL, HEX HD, ZINC PLATED, BLACK (ALSO PART OF WB 001)	5306 66-144-8880 Z3522/008558-B006065M Z5394/BH106134	8EA		X	LMH
022	STRAP, WEBBING COMFORT STRAP, 25 MM W NYLON WEBBING WITH 3 MM M/STEEL BUCKLE (INCLUDES WB 907 AND WB 908, ALSO PART OF WB 001)	5340 66-142-8884 Z4681/43-0071 Z5394/FYD0071	8EA		X	LMH
907	STRAP, RETAINING, NYLON WEBBING, 25 MM BY 185 MM LG. (ALSO PART OF WB 022)	Z4681/43-0071-1 Z4681/43-0071-1	1			
908	BUCKLE, RETAINING END 3MM THK, 6MM DIA BOLT HOLE, STRAP SLOT 25MM LG (ALSO PART OF WB 022)	5340 66-144-8927 Z4681/43-0071-2 Z4681/43-0071-2	1EA		X	LMH
023	BOW, ROOF, LONGITUDINAL, ALUMINIUM EXTRUSION, P1040R, 6061 T6, 2920 MM LG LH. (ALSO PART OF WB 001)	Z4681/43-1017-4L Z5394/FYD1017/4L	1			
024	BOLT, HEX HD, M8 BY 70 MM LG, ZINC PLATED, BLACK (ALSO PART OF WB 001)	Z3522/008558-B008070M Z5394/BH108144	4			

ISSUE NO: 1 REPAIR PARTS SCALE: 02226 PAGE NO: 40

\* GRADE OF REPAIR (LIGHT, MEDIUM OR HEAVY)

# GROUP WC SHEET 1

02226



## ROLL OVER PROTECTION

## UNCONTROLLED WHEN PRINTED

GROUP WC/1  
 TITLE ROLL OVER PROTECTION

ITEM NO	DESIGNATION	NSN MANUFACTURER CODE/PART NO SUPPLIER CODE/PART NO	NO OFF	U O	E X	L* M* H*
001	SCREW, BUTTON HEAD, 5/8 IN BY 2-1/2 INCH ZINC PLATED	Z3522/008781-BF100200 Z5394/SB610201	30			
002	WASHER, FLAT, 5/8 INCH ZINC PLATED	Z3522/008561-BA160000 Z5394/WA116101	30			
003	NUT, SELF LOCKING, HEX, 5/8 INCH, ZINC PLATED, BLACK	Z3522/008782-BG100000 Z5394/NY510044	30			
004	ROPS ASSEMBLY, ALUMINIUM, POWDER COATED	Z4681/43-1501 Z5394/FYD1501	1			
901	DECAL, CAUTION, AUTOGRAPH VINYL, BLACK, 250 MM BY 50 MM (REFER SGD 019)	Z3522/008-545 Z5394/GYD545	4			
902	DECAL, WARNING, ROLL CAGE, SELF ADHESIVE, CHROME POLYSTER, 110 MM 75 MM, RED ON WHITE BACKGROUND (REFER SGD 028)	Z5394/HYG5684 Z5394/HYG5684	4			
005	BOLT, M10 BY 80 MM LG, HEX HD, ZINC PLATED, BLACK	Z3522/008558-BO10080M Z5394/BH110164	6			
006	WASHER, FLAT, STEEL, M10, ZINC PLATED, BLACK	Z3522/008561-BA100000 Z5394/WC110044	54			
007	NUT, SELF LOCKING, HEX, M10, ZINC PLATED, BLACK	Z3522/008562-AE100000 Z5394/NZ110044	30			
008	ANGLE, SUPPORT, FRONT WALL, 101.6 MM BY 50.8 MM BY 6.35 MM, ALUMINIUM L 6061 T6, 459 MM LG, RIGHT	Z4681/43-1003-5 Z5394/FYD1003/5	1			
009	BOLT, HEX HD, M10 BY 30 MM LG, ZINC PLATED, BLACK	Z3522/008558-BO10030M Z5394/BH110064	24			
010	NUT, SELF LOCKING, HEX, M12, ZINC PLATED, BLACK	Z3522/008562-AE12000M Z5394/NY112044	6			
011	WASHER, FLAT, STEEL, M12, ZINC PLATED, BLACK	Z3522/008561-AA120000 Z5394/WJ112007	10			

ISSUE NO: 1

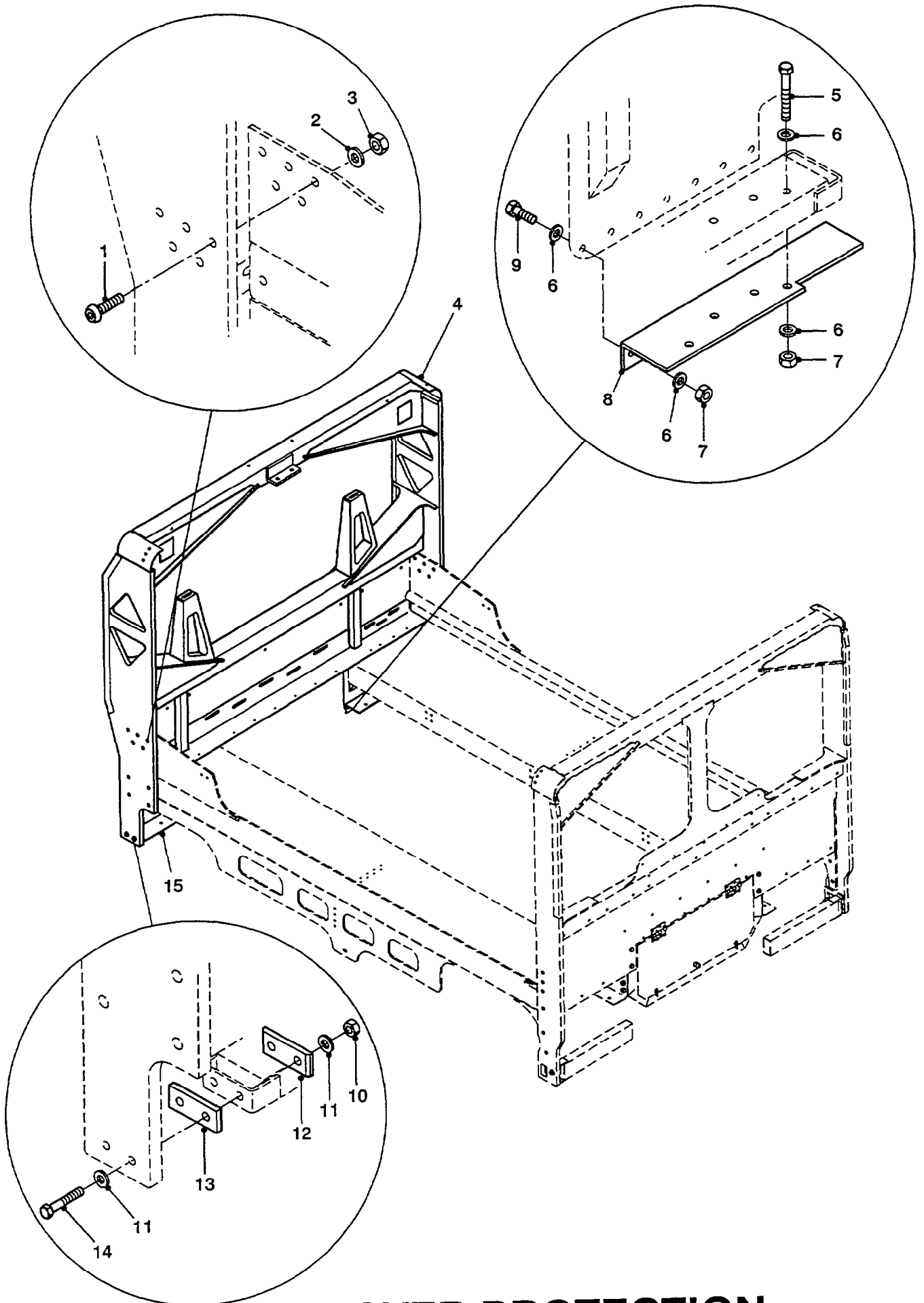
REPAIR PARTS SCALE: 02226

PAGE NO: 41

\* GRADE OF REPAIR (LIGHT, MEDIUM OR HEAVY)

# GROUP WC SHEET 1

02226



## ROLL OVER PROTECTION

## UNCONTROLLED WHEN PRINTED

GROUP WC/1  
 TITLE ROLL OVER PROTECTION

ITEM NO	DESIGNATION	NSN MANUFACTURER CODE/PART NO SUPPLIER CODE/PART NO	NO OFF	U O	E X	L* M* H*
012	PLATE, LOCATING, 99.5 MM LG BY 40 MM W BY 8 MM THK. (USE AS REQUIRED TO ENSURE MODULE IS MOUNTED SQUARELY ON CHASSIS)	Z3522/008-464 Z5394/GYD464	2			
013	SPACER, FRONT OUTRIGGER, 100 MM LG BY 40 W MM BY 10 MM THICK, ALUMINIUM 5083-H116 (USE AS REQUIRED)	Z4681/43-0097-1 Z5394/FYD0097/1	4			
903	SPACER, FRONT OUTRIGGER, 100 MM LG BY 40 MM W BY 5 MM THICK, ALUMINIUM 5083-H116 (USE AS REQUIRED)	Z4681/43-0097-2 Z5394/FYD0097/2	1			
904	SPACER, FRONT OUTRIGGER, 100 MM LG BY 40 MM W BY 2 MM THICK, ALUMINIUM 5083-H116 (USE AS REQUIRED)	Z4681/43-0097-3 Z5394/FYD0097/3	1			
905	SPACER, FRONT OUTRIGGER, 100 MM LG BY 40 MM W BY 1 MM THICK, ALUMINIUM 5083-H116 (USE AS REQUIRED)	Z4681/43-0097-4 Z5394/FYD0097/4	1			
014	BOLT, HEX HD, M12 BY 70 MM LG, ZINC PLATED, BLACK	Z3522/008558-A012070M Z5394/BH112144	6			
015	ANGLE, SUPPORT, FRONT WALL, 101.6 MM BY 50.8 MM BY 6.35 MM, ALUMINIUM L 6061 T6, 459 MM LG, LEFT	Z4681/43-1003-4 Z5394/FYD1003/4	1			

ISSUE NO: 1

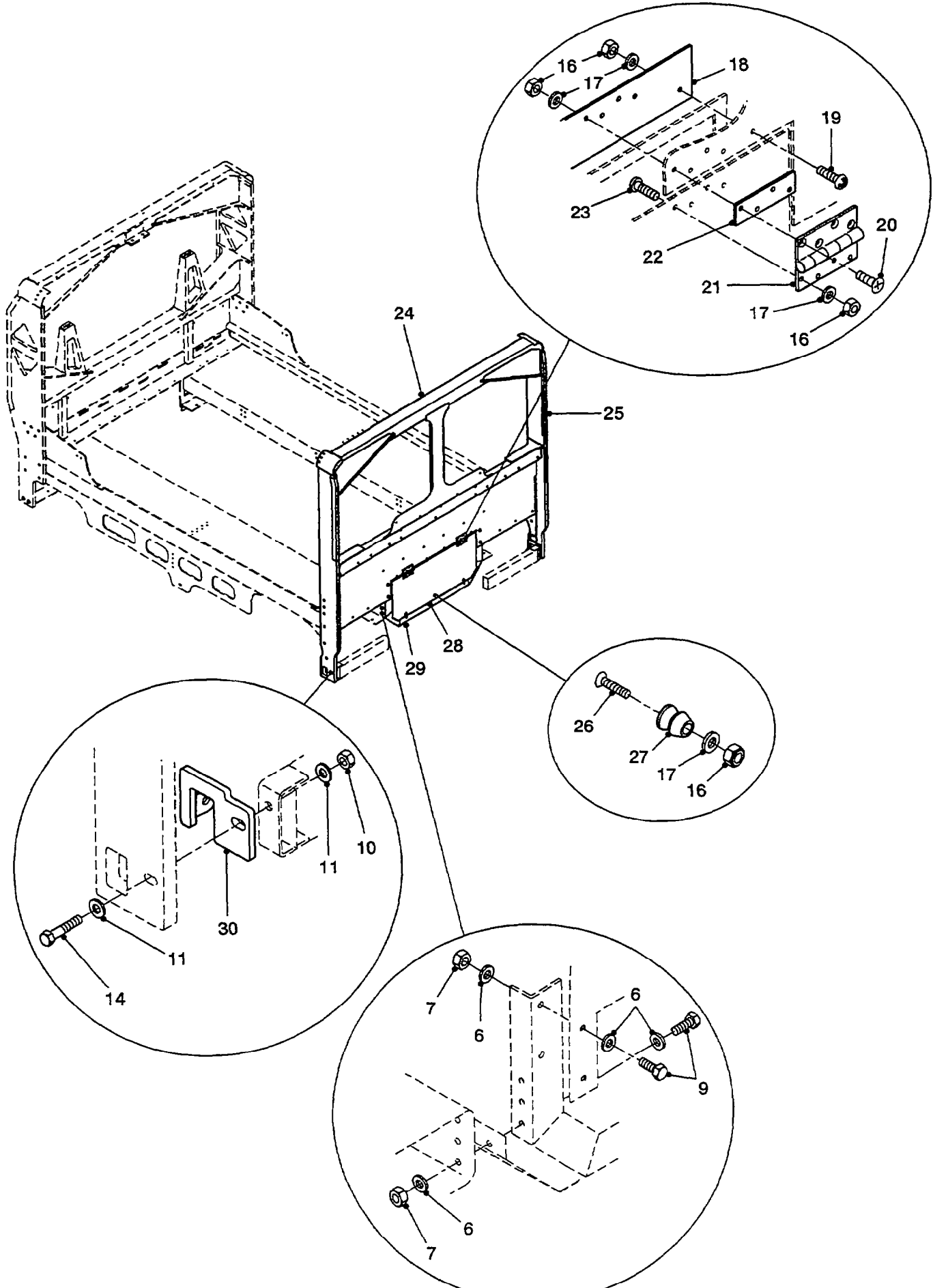
REPAIR PARTS SCALE: 02226

PAGE NO: 42

\* GRADE OF REPAIR (LIGHT, MEDIUM OR HEAVY)

# GROUP WC SHEET 2

02226



## ROLL OVER PROTECTION

## UNCONTROLLED WHEN PRINTED

GROUP WC/2  
TITLE ROLL OVER PROTECTION

ITEM NO	DESIGNATION	NSN MANUFACTURER CODE/PART NO SUPPLIER CODE/PART NO	NO OFF	U O	E X	L* M* H*
016	NUT, SELF LOCKING, HEX, M6, ZINC PLATED, BLACK	Z3522/008562-BE06000M Z5394/NZ106044	21			
017	WASHER, FLAT, STEEL, M6, ZINC PLATED, BLACK	Z3522/008561-BA060000 Z5394/WA106004	21			
018	SEAL REAR DOOR, ALUMINIUM, 3.5 MM (USED WITH WC 006 AND WC 907)	5330 66-144-6646 Z4681/43-1015-3 Z5394/FYD1015/3	1	EA	X	LMH
906	SEALING COMPOUND RUBBER, SYNTHETIC, WHITE, PASTE, 150 G TUBE (USED WITH WC 018)	8030 66-061-8871 Z1600/RTV732 Z1600/RTV732	1	TU	X	LMH
907	RUBBER STRIP, SEALING 25 MM X 5 MM, CLOSED CELL NEOPRENE, ADHESIVE BACK SPONGE TAPE, ADHESIVE FILM MACBOUND 9517 (USE AS REQUIRED)	5330 66-144-6387 Z5U12/RE42 Z5U12/RE42	1	RO	X	LMH
019	SCREW, RECESSED PAN HD, M6 BY 20 MM LG, ZINC PLATED, BLACK	Z3522/008560-BF06020L Z5394/SE103204	4			
020	SCREW, COUNTERSUNK, CROSS TIP, M6 BY 25 MM LG, ZINC PLATED, BLACK	Z3522/008560-BB06025L Z5394/SF106254	8			
021	HINGE, BUTT ALUMINIUM	5340 66-144-6333 ZL110/DH2 Z5394/HYM933	2	EA	X	LMH
022	PLATE, SHIM, REAR DOOR, 4 MM THK PLATE, ALUMINIUM 5083 H321, 100 MM LG, 30 MM W.	Z3522/008-513 Z5394/GYD513	2			
023	SCREW, COUNTERSUNK, CROSS TIP, M6 BY 16 MM LG, ZINC PLATED, BLACK	Z3522/008560-BB06016L Z5394/SE106164	8			
024	ROPS ASSEMBLY, REAR, ALUMINIUM, POWDER COATED	Z4681/43-1005 Z5394/FYD1005	1			

ISSUE NO: 1

REPAIR PARTS SCALE: 02226

PAGE NO: 43

\* GRADE OF REPAIR (LIGHT, MEDIUM OR HEAVY)



## UNCONTROLLED WHEN PRINTED

GROUP WC/2  
 TITLE ROLL OVER PROTECTION

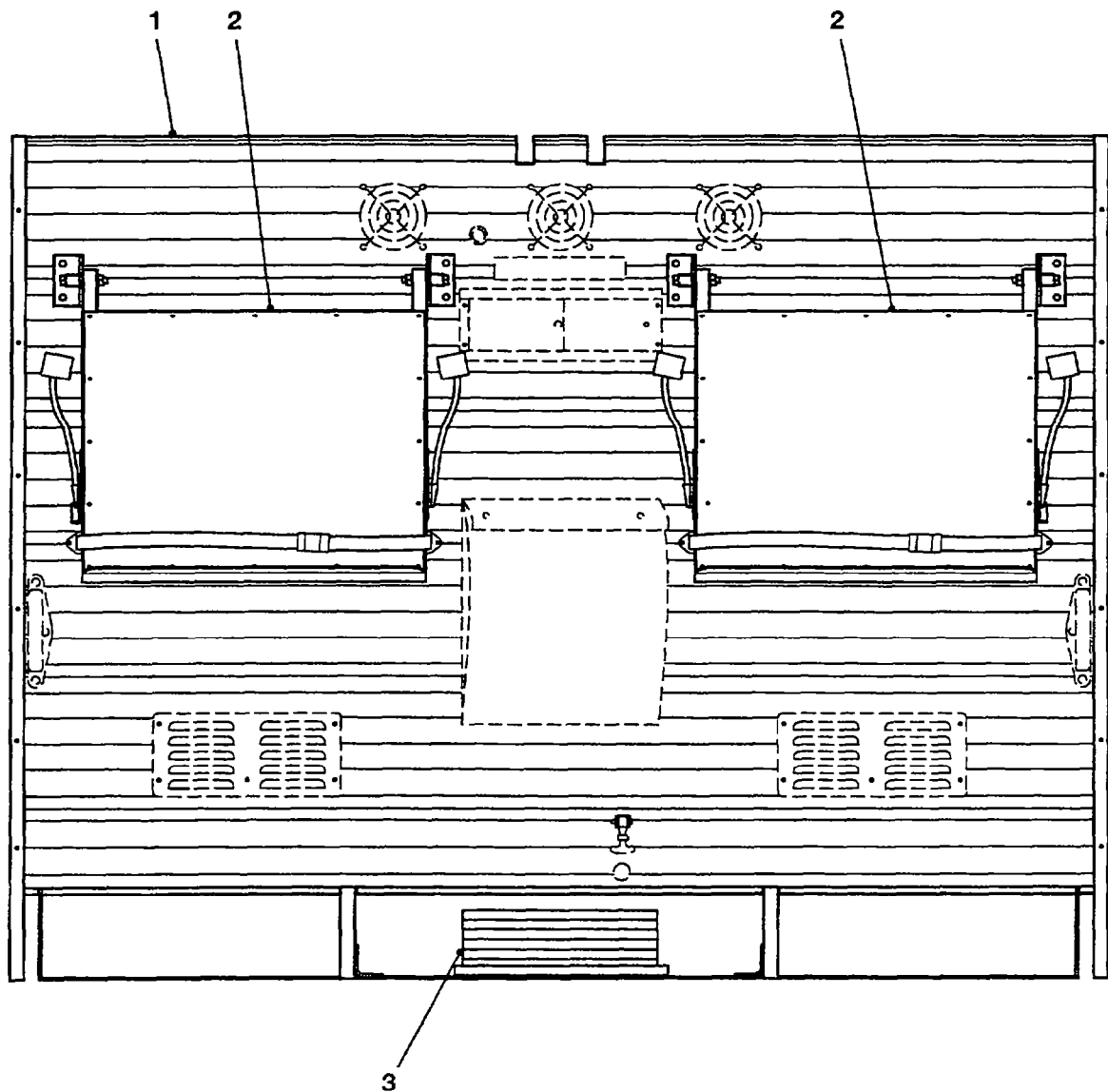
ITEM NO	DESIGNATION	NSN MANUFACTURER CODE/PART NO SUPPLIER CODE/PART NO	NO OFF	U O	E X	L* M* H*
025	CLOTH, DUCK COTTON/POLYESTER, CORESPUN, 280 GSM, 183 CM W, DISRUPTIVE PATTERN, PRINTED (USE AS REQUIRED, USE WA 903 TO WA 905 TO SECURE)	8305 66-125-2329 Z0083/ADE(M)143 Z0083/ADE(M)143	1	MR	X	MH
026	SCREW, COUNTERSUNK, M6 BY 30 MM LG, ZINC PLATED, BLACK	Z3522/008560-BB06030L Z5394/SF106304	1			
027	RECEPTACLE NYLON, MALE	5340 66-144-6481 Z1Y18/0666/002 Z5394/HYM940	1	EA	X	LMH
028	DOOR, ACCESS REAR, ALUMINIUM, 4 MM THK	5342 66-144-6473 Z4681/43-1015-2 Z5394/FYD1015/2	1	EA	X	LMH
029	ANGLE, SUPPORT, REAR DOOR, 76.2 MM BY 50.6 MM BY 6.35 MM, ALUMINIUM L 6061 T6	Z4681/43-1015-1 Z5394/FYD1015/1	1			
030	PACKER, MODULE, HIGH LIFT JACK, 10 MM ALUMINIUM PLATE WITH TWO 5 MM SAFETY LUGS WELDED ON, RH SIDE	Z4681/43-0095 Z5394/FYD0095	1			
908	PACKER, MODULE, HIGH LIFT JACK, 10 MM ALUMINIUM PLATE WITH TWO 5 MM SAFETY LUGS WELDED ON, LH SIDE	Z4681/43-0096 Z5394/FYD0096	1			

ISSUE NO: 1

REPAIR PARTS SCALE: 02226

PAGE NO: 44

\* GRADE OF REPAIR (LIGHT, MEDIUM OR HEAVY)



**INTERIOR FIXTURES  
(COMMAND POST)**

UNCONTROLLED WHEN PRINTED

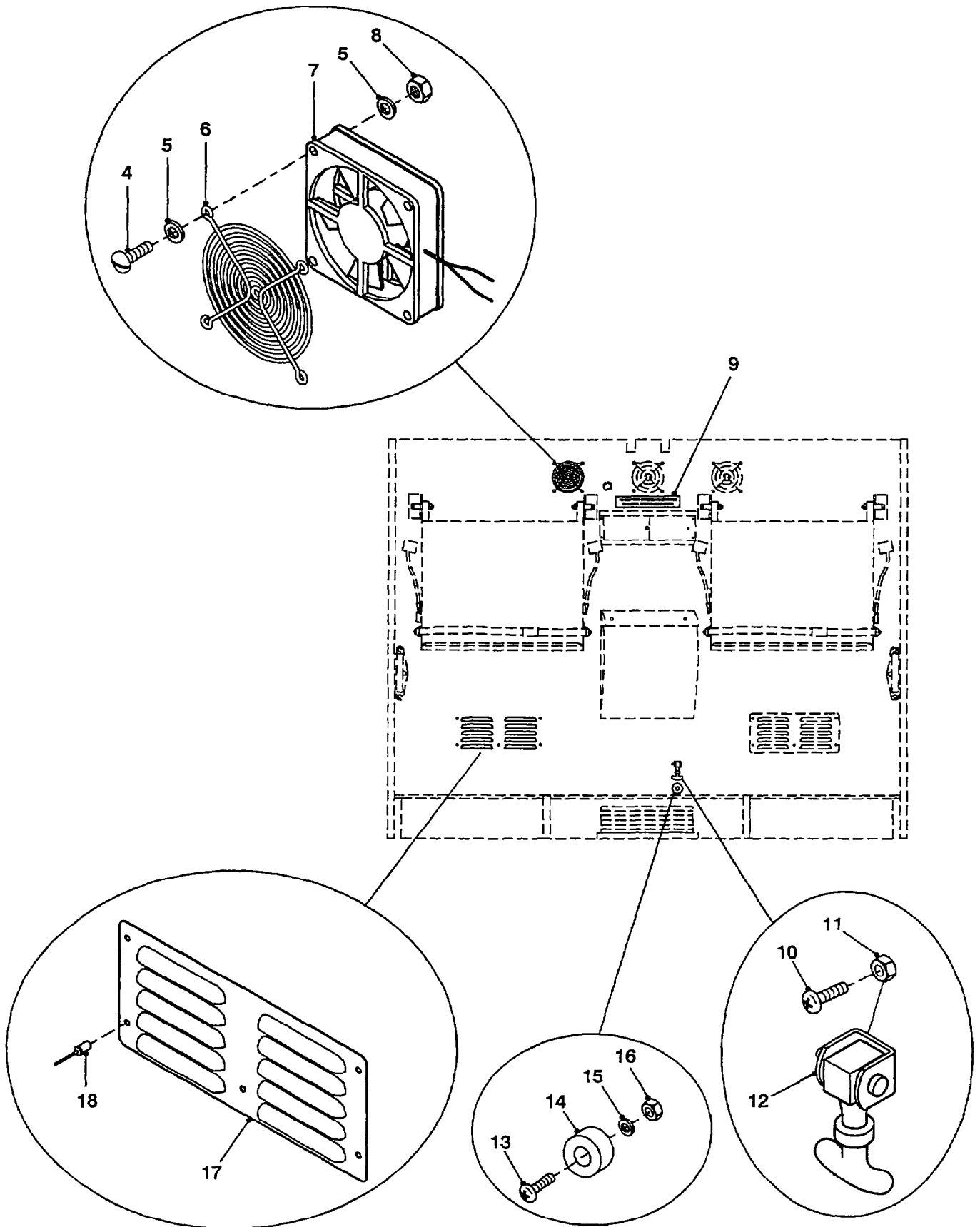
GROUP WE/1  
 TITLE INTERIOR FIXTURES

ITEM NO	DESIGNATION	NSN MANUFACTURER CODE/PART NO SUPPLIER CODE/PART NO	NO OFF	U O	E X	L* M* H*
001	PARTITION, MODULE (REFER GROUP WEH)	/NIL /NIL	1			
002	TABLE ASSEMBLY (REFER GROUP WEF)	Z3522/008-596 Z5394/GYD596	2			
003	POWER SUPPLY REDUCER, VOLTAGE, 24 VOLT OUTPUT, 12 VOLT INPUT, 24 AMPS MAX LOAD (REFER GROUP WEG)	6130 66-144-8909 Z3522/008-691 Z5394/GYD691	1EA		X	LMH

\* GRADE OF REPAIR (LIGHT, MEDIUM OR HEAVY)

# GROUP WE SHEET 2

02226



## INTERIOR FIXTURES (COMMAND POST)

## UNCONTROLLED WHEN PRINTED

GROUP WE/2  
 TITLE INTERIOR FIXTURES

ITEM NO	DESIGNATION	NSN MANUFACTURER CODE/PART NO SUPPLIER CODE/PART NO	NO OFF	U O	E X	L* M* H*
004	SCREW, PAN HD, SLOTTED, M4 BY 16 MM LG.	Z3522/008560-AE04016L Z5394/SP104161	12			
005	WASHER, FLAT, M4	Z3522/008561-BA040000 Z5394/WA104001	24			
006	GUARD, FAN, 119 MM	Z0R70/735-991 Z5394/HYM944	3			
007	FAN, TUBEAXIAL ELECTRIC, 12V, 119MM DIA (INCLUDES WE 901 AND 902)	4140 66-144-8881 Z0R70/149-428 Z5394/HYM1045	3	EA	X	LMH
901	RECEPTACLE, BULLET (ALSO PART OF WE 007 AND WE 030)	Z0220/H2743 Z5394/HYM964	2			
902	TERMINAL, BULLET (ALSO PART OF WE 007 AND WE 030)	Z0220/H2782 Z5394/AYB9256	2			
008	NUT, HEX, M4	Z3522/008562-AE04000M Z5394/NZ104041	12			
009	DECAL, CAUTION, AUTOGRAPH VINYL BLACK, 250 MM BY 50 MM (REFER SGD 019)	Z3522/008-545 Z5394/GYD545	1			
010	SCREW, COUNTERSUNK HD, CROSS DRIVE, M5 BY 12 MM LG.	Z3522/008560-AB05012L Z5394/SF105121	2			
011	NUT, NYLOC, M5	Z3522/008562-BE05000M Z5394/NZ105041	6			
012	CATCH, BONNET	5340 66-144-8882 Z2Z96/602-0154 Z5394/HYM1055	1	EA	X	LMH
013	SCREW, MUSHROOM HD, CROSS RECESS, M6 BY 20 MM LG.	Z3522/008560-BL06020L Z5394/MYH3762	1			
014	BUFFER, RUBBER, BLACK	5340 66-144-8883 ZL110/417 Z5394/HYM1064	1	EA	X	LMH

ISSUE NO: 1

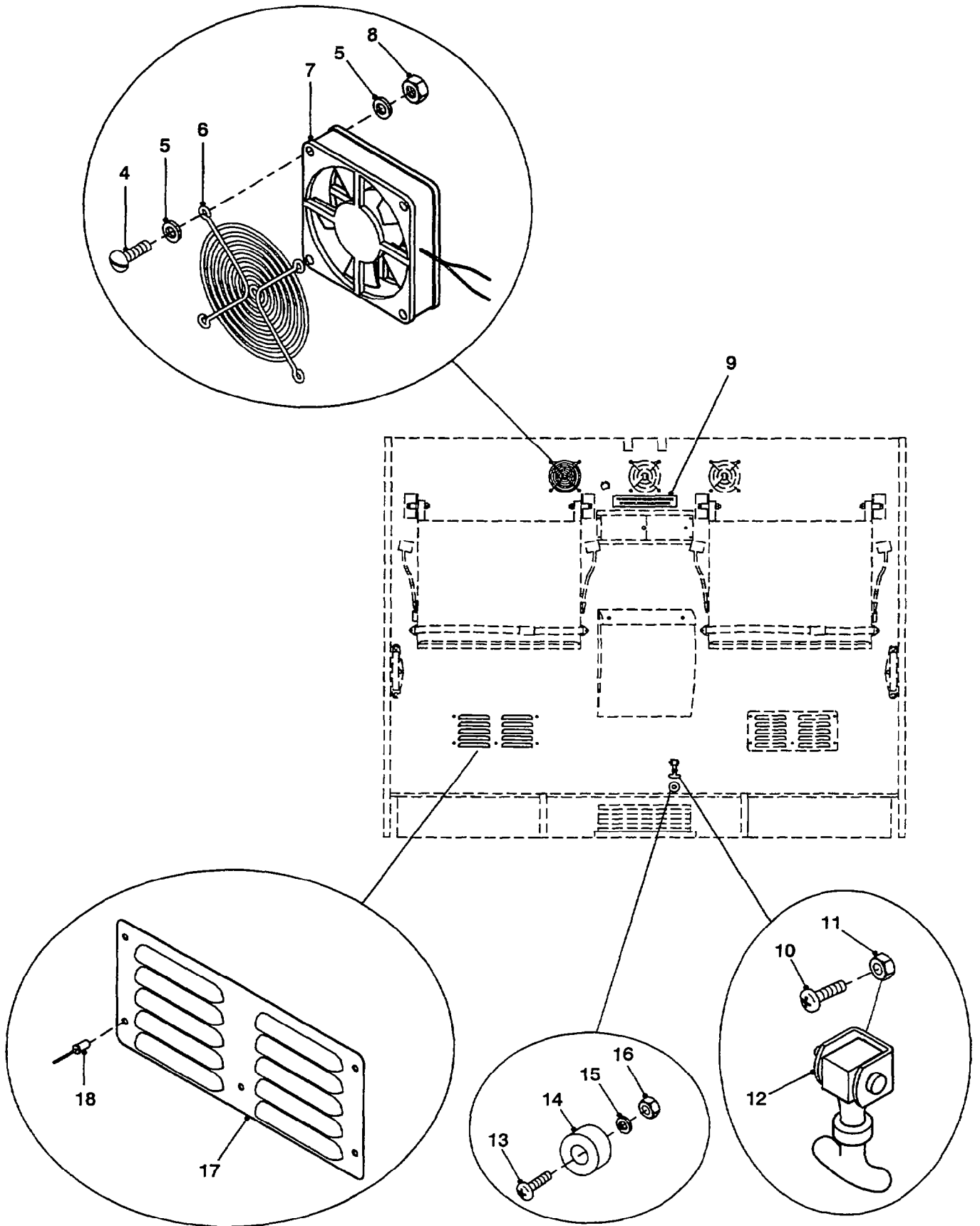
REPAIR PARTS SCALE: 02226

PAGE NO: 46

\* GRADE OF REPAIR (LIGHT, MEDIUM OR HEAVY)

**GROUP WE SHEET 2**

**02226**



**INTERIOR FIXTURES  
(COMMAND POST)**

UNCONTROLLED WHEN PRINTED

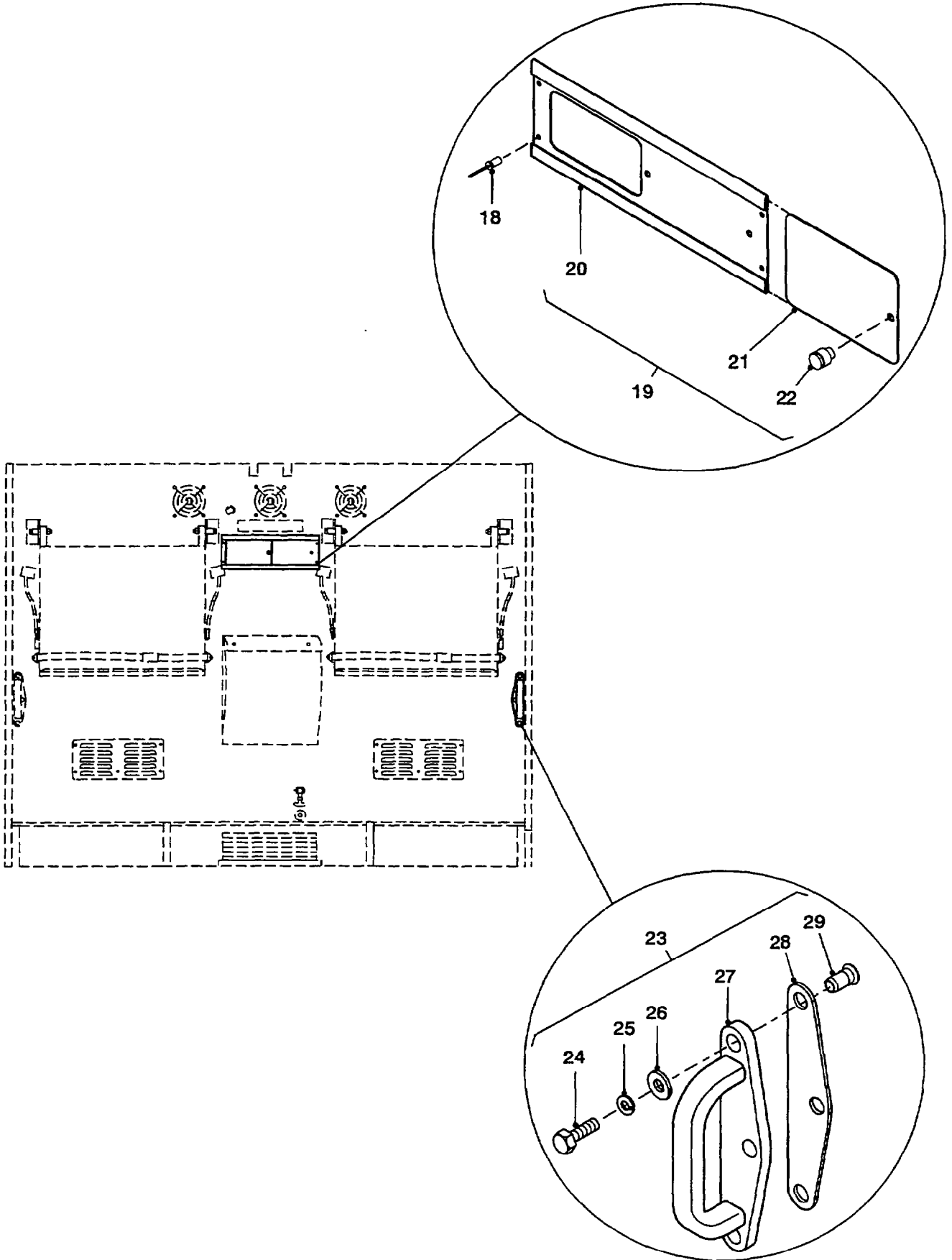
GROUP WE/2  
 TITLE INTERIOR FIXTURES

ITEM NO	DESIGNATION	NSN MANUFACTURER CODE/PART NO SUPPLIER CODE/PART NO	NO OFF	U O I	E X P	L* M* H*
015	WASHER, FLAT, M6	Z3522/008561-BA060000 Z5394/WA106044	67			
016	NUT, SELF-LOCKING, HEXAGON M6, STEEL, ZINC PLATED, BLACK	5310 66-144-6472 Z3522/008562-BE06000M Z5394/NZ106044	32	EA	X	LMH
017	LOUVRE, PANEL, VENT, 324 MM BY 147 MM BY 1.2 MM, ALUMINIUM	Z5394/HYG2806 Z5394/HYG2806	2			
018	RIVET, BLIND, 4.8 MM BY 11.4 MM LG, ALUMINIUM	Z1F95/0116-5902 Z5394/RA612313	24			

\* GRADE OF REPAIR (LIGHT, MEDIUM OR HEAVY)

# GROUP WE SHEET 3

02226



## INTERIOR FIXTURES (COMMAND POST)

## UNCONTROLLED WHEN PRINTED

GROUP WE/3  
 TITLE INTERIOR FIXTURES

ITEM NO	DESIGNATION	NSN MANUFACTURER CODE/PART NO SUPPLIER CODE/PART NO	NO OFF	U O	E X	L* M* H*
019	TRAP DOOR ASSEMBLY ALUMINIUM, 1.8 MM BY 360 MM BY 125 MM (INCLUDES WE 020 TO WE 022)	Z3522/008-679 Z5394/GYD679	1			
020	SLIDE, TRAP DOOR, ALUMINIUM (USE WE 019)	/NIL /NIL	1			
021	DOOR (USE WE 019)	/NIL /NIL	1			
022	PLUNGER, SPRING LOADED LOCKING (ALSO PART OF WE 019)	5340 66-144-8884 Z2JV3/56-60 Z5394/HYM1051	1EA		X	LMH
023	KIT, HANDLE C/O 2 SETS (CONSISTS OF 2 SETS OF HANDLES, INCLUDES WE 024 TO WE 029)	5340 66-144-8885 Z1G13/904215 Z5394/904215	1EA		X	LMH
024	BOLT, HEX HD, M8 (USE WE 023)	/NIL /NIL	6			
025	WASHER, SPRING, M8 (USE WE 023)	/NIL /NIL	6			
026	WASHER, FLAT, M8 (USE WE 023)	/NIL /NIL	6			
027	HANDLE (USE WE 023)	/NIL /NIL	2			
028	GASKET, RUBBER (USE WE 023)	/NIL /NIL	2			
029	NUTSERT, M8 (USE WE 023)	/NIL /NIL	2			

ISSUE NO: 1

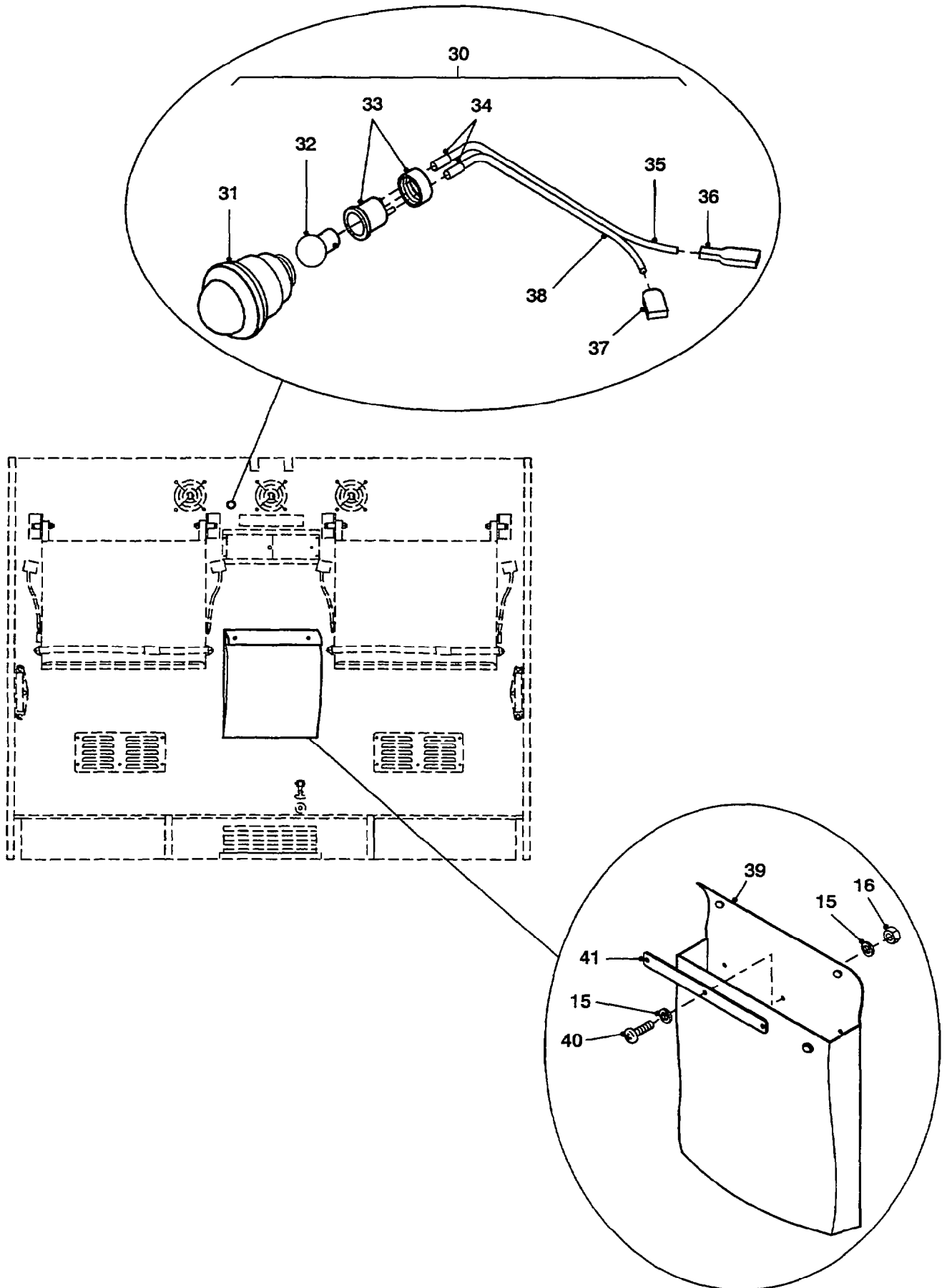
REPAIR PARTS SCALE: 02226

PAGE NO: 48

\* GRADE OF REPAIR (LIGHT, MEDIUM OR HEAVY)

**GROUP WE SHEET 4**

**02226**



**INTERIOR FIXTURES  
(COMMAND POST)**

## UNCONTROLLED WHEN PRINTED

GROUP WE/4  
TITLE INTERIOR FIXTURES

ITEM NO	DESIGNATION	NSN MANUFACTURER CODE/PART NO SUPPLIER CODE/PART NO	NO OFF	U O	E X	L* M* H*
030	LIGHT, INDICATOR WARNING, BLACKOUT (INCLUDES WE 031 TO WE 038 AND WE 905)	6220 66-144-8910 Z3522/008-652 Z5394/GYD652	1	EA	X	LMH
031	INDICATOR, LIGHT (ALSO PART OF WE 030)	6210 99-735-2711 Z1L33/589-991 Z5394/HYM1049	1	EA	X	LMH
032	LAMP, INCANDESCENT 12 V, 2.2 W (ALSO PART OF WE 030)	6240 99-995-1170 Z1L33/587-434 Z5394/HYM1046	1	EA	X	LMH
033	LAMP HOLDER, M.B.C. (ALSO PART OF WE 030)	Z1L33/589-783 Z5394/HYM1047	1			
034	HEATSHRINK, 1.2 MR LG. (USE AS REQUIRED, ALSO PART OF WE 030)	Z1L33/398-206 Z5394/HYM1048	1			
035	WIRE, ELECTRICAL, 17/0.3, BLACK, 150 MM LG. (MANUFACTURE FROM WE 917, ALSO PART OF WE 030)	/NIL /NIL	1			
036	INSULATION SLEEVING, ELECTRICAL, SPECIAL PURPOSE PVC, CLEAR, 33.0 MM LG., 4.6 MM OD (ALSO PART OF WE 030)	5970 66-128-4715 Z0220/H2806 Z5394/AYG9120	1	EA	X	LMH
903	RECEPTACLE, BULLET (USE WE 030)	/NIL /NIL	1			
037	INSULATOR (ALSO PART OF WE 030)	Z0220/H2805 Z5394/AYG9936	1			
904	CONNECTOR, BULLET (USE WE 030)	/NIL /NIL	1			
038	WIRE, ELECTRICAL, 17/0.3, BLUE / WHITE, 150 MM LG. (MANUFACTURE FROM WE 918, ALSO PART OF WE 030)	/NIL /NIL	1			
905	TAPE, PVC, 18 MM BY 20 MR ROLL (USE AS REQUIRED)	Z1F95/5262102 Z1F95/5262102	1			

ISSUE NO: 1

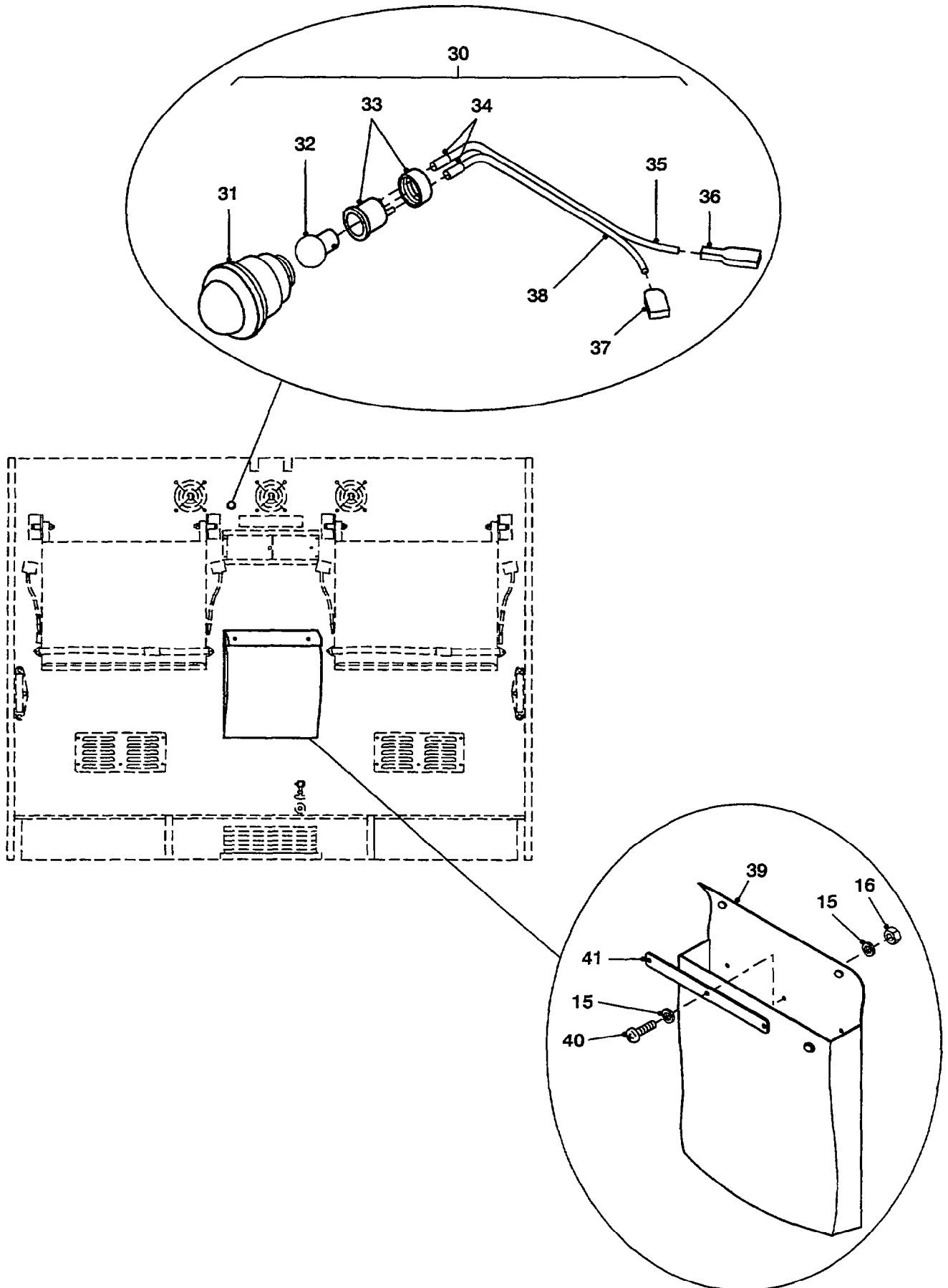
REPAIR PARTS SCALE: 02226

PAGE NO: 49

\* GRADE OF REPAIR (LIGHT, MEDIUM OR HEAVY)

**GROUP WE SHEET 4**

**02226**



**INTERIOR FIXTURES  
(COMMAND POST)**

GROUP WE/4  
 TITLE INTERIOR FIXTURES

ITEM NO	DESIGNATION	NSN MANUFACTURER CODE/PART NO SUPPLIER CODE/PART NO	NO OFF	U O	E X	L* M* H*
039	VALISE A4, DOCUMENT STORAGE, 460MM BY 320MM, CORESPUN COTTON DUCK, 340 G/M2 TO AS 1819, GREEN	5340 66-144-8911 Z5394/HYG3709 Z5394/HYG3709	1	EA	X	LMH
040	SCREW, MUSHROOM HD, CROSS RECESS, M6 BY 10 MM LG.	Z3522/008560-BL06010L Z5394/MYH3759	3			
041	STRIP, MAP BAG, ALUMINIUM, 5083 H321, 4 MM BY 280 MM BY 25 MM	Z3522/008-614 Z5394/GYD614	1			

ISSUE NO: 1

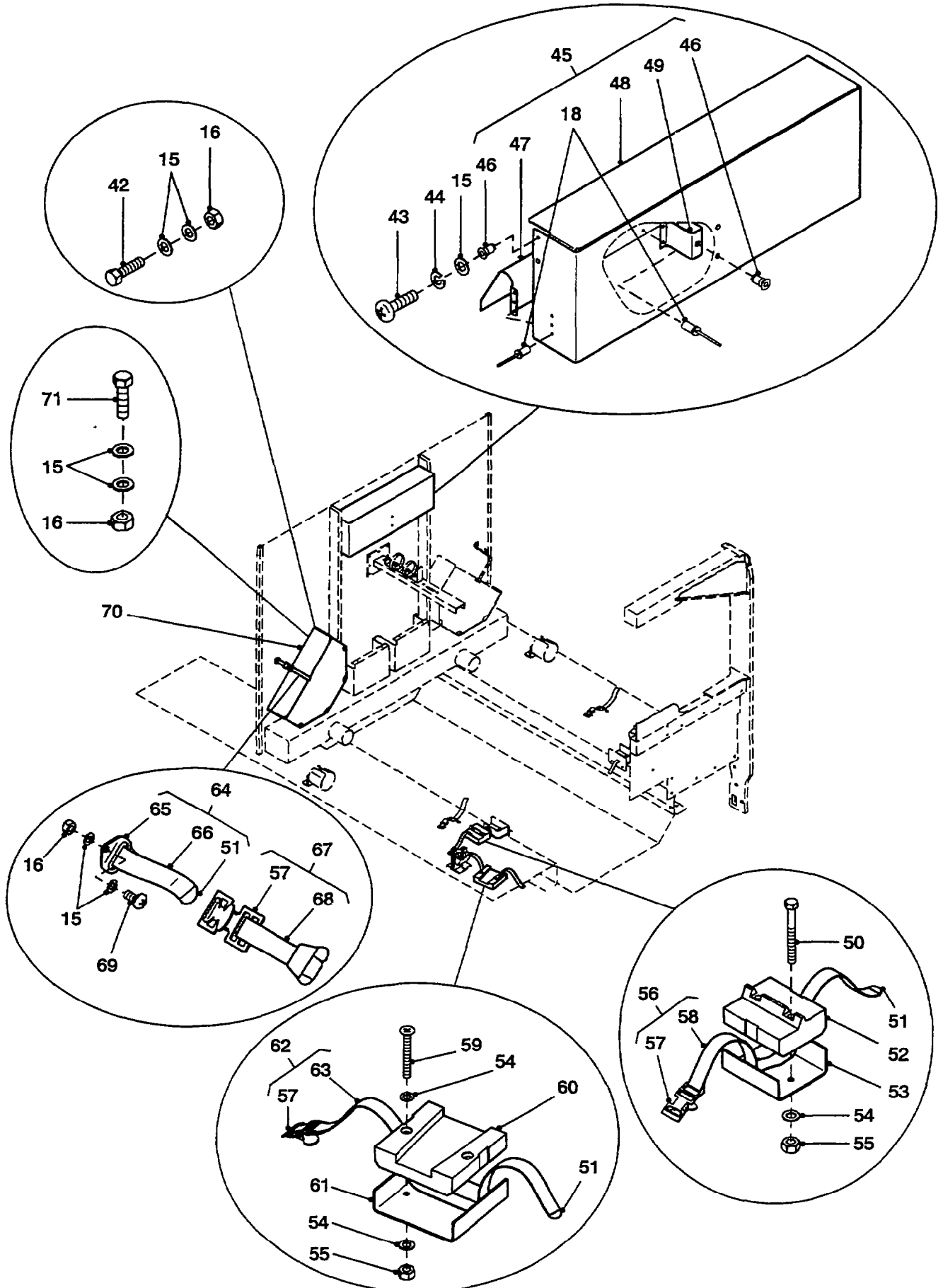
REPAIR PARTS SCALE: 02226

PAGE NO: 50

\* GRADE OF REPAIR (LIGHT, MEDIUM OR HEAVY)

# GROUP WE SHEET 5

# 02226



## INTERIOR FIXTURES (CREW AREA)

## UNCONTROLLED WHEN PRINTED

GROUP WE/5  
TITLE INTERIOR FIXTURES

ITEM NO	DESIGNATION	NSN MANUFACTURER CODE/PART NO SUPPLIER CODE/PART NO	NO OFF	U O	E X	L* M* H*
042	BOLT, HEX HD, M6 BY 30 MM LG.	Z3522/008558-B006030M Z5394/BH106061	4			
043	SCREW, PAN HD, M6 BY 30 MM LG.	Z3522/008560-BF06030L Z5394/SE106301	4			
044	WASHER, SPRING, M6	Z3522/008561-BG060000 Z5394/WL106004	4			
045	COVER, FAN (INCLUDES WE 018 AND WE 046 TO WE 049)	Z3522/008-608 Z5394/GYD608	1			
046	RIVNUT, M6, 14.5 LG, GRIP 0.5 MM -3.0 MM (ALSO PART OF WE 045)	Z1742/5125-0630 Z5394/MM106451	6			
047	COVER PLATE LOWER, ALUMINIUM SHEET 5251, 722 MM LG BY 83 MM BY 1.6 MM (ALSO PART OF WE 045)	Z3522/008-608-1 Z5394/GYD608/1	1			
048	COVER PLATE UPPER, ALUMINIUM SHEET 5251, 727 MM LG BY 245 MM BY 1.6 MM (ALSO PART OF WE 045)	Z3522/008-608-2 Z5394/GYD608/2	1			
049	STIFFENER (ALSO PART OF WE 045)	Z3522/008-608-3 Z5394/GYD608/3	1			
050	BOLT, HEX HD, M8 BY 70 MM LG.	Z3522/008558-B008070M Z5394/BH108141	4			
051	CLIP, END (ALSO PART OF WE 056, WE 062, WE 064 AND WE 092, CLAMPED TO WEBBING)	51926/MS51928-3 51926/MS51928-3	1			
052	PAD, BIPOD LEG NYLON, PA 6, OLIVE DRAB, 120MM LG BY 100MM W (ALTERNATIVE COLOUR BLACK)	5340 66-144-8912 Z3522/008-629 Z5394/GYD629	2	EA	X	LMH
053	CHANNEL, BIPOD LEG, ALUMINIUM, 5251-H34, 120 MM BY 100 MM BY 3 MM	Z3522/008-628 Z5394/GYD628	2			
054	WASHER, FLAT M8	Z3522/008561-BA080000 Z5394/WA108054	16			

ISSUE NO: 1

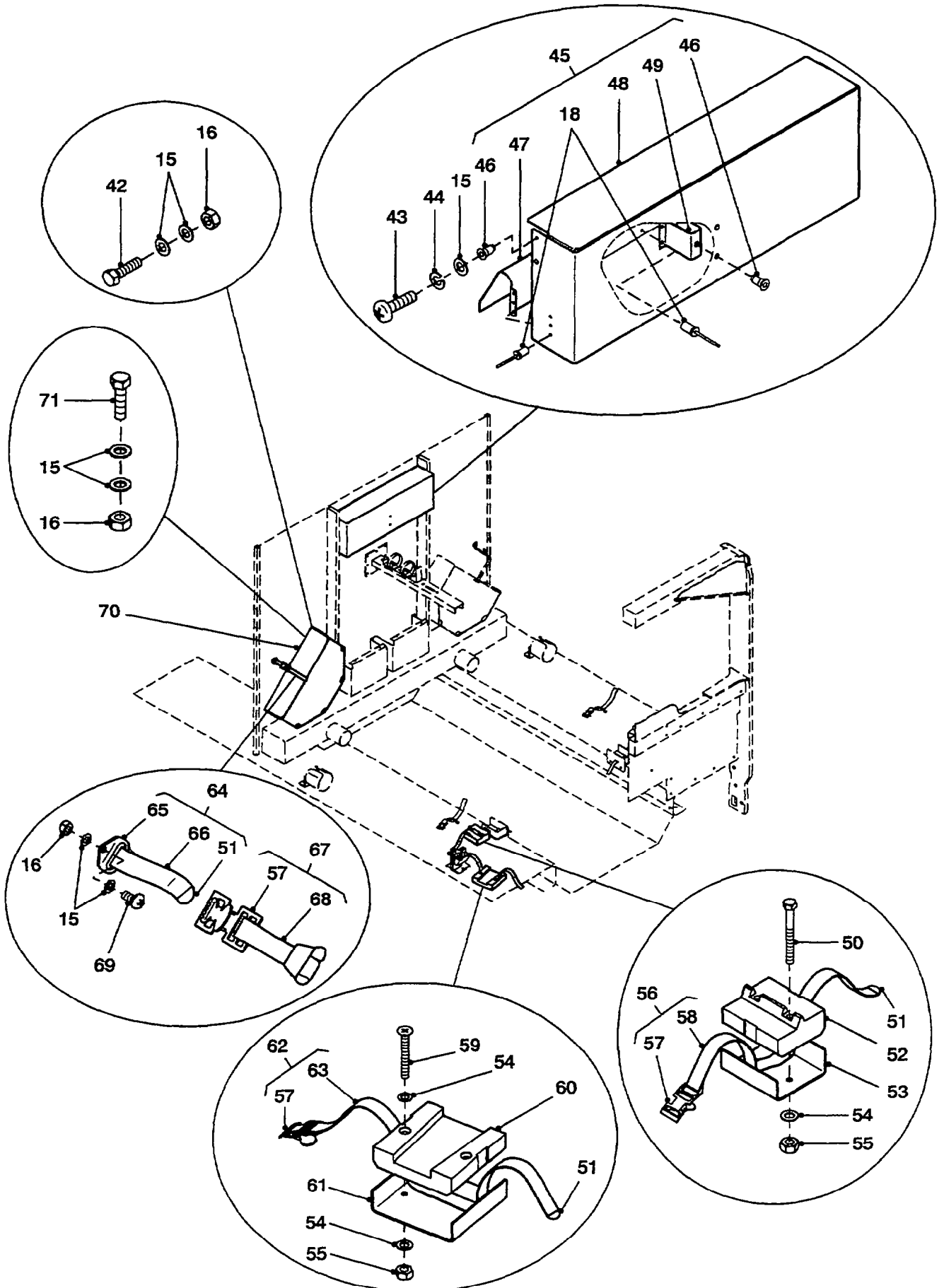
REPAIR PARTS SCALE: 02226

PAGE NO: 51

\* GRADE OF REPAIR (LIGHT, MEDIUM OR HEAVY)

# GROUP WE SHEET 5

# 02226



## INTERIOR FIXTURES (CREW AREA)

## UNCONTROLLED WHEN PRINTED

GROUP WE/5  
TITLE INTERIOR FIXTURES

ITEM NO	DESIGNATION	NSN MANUFACTURER CODE/PART NO SUPPLIER CODE/PART NO	NO OFF	U O	E X	L* M* H*
055	NUT, NYLOC, M8	Z3522/008562-BE08000M Z5394/NZ108041	10			
056	STRAP, WEBBING BUCKLE AND RUNNING END, 55CM O/A LG (INCLUDES WE 051, WE 057 AND WE 058)	5340 66-144-8928 Z3522/008-702-2 Z5394/GYD702/2	4EA		X	LMH
057	BUCKLE (ALSO PART OF WE 056, WE 062 AND WE 067)	51926/MS51929-2 51926/MS51929-2	1			
058	WEBBING, 25.4 MM W, 610 MM LG. (MANUFACTURE FROM WE 917 OR USE WE 056)	/NIL /NIL	1			
059	BOLT, CROSS RECESSED, COUNTERSUNK HD, M8 BY 60 MM LG.	Z3522/008563-BB080600 Z5394/SJ108601	4			
060	PAD, BIPOD HEAD NYLON, PA 6 G, OLIVE DRAB, 139MM BY 140 MM BY 34MM (ALTERNATIVE COLOUR BLACK)	5340 66-144-8929 Z3522/008-627 Z5394/GYD627	2EA		X	LMH
061	CHANNEL, BIPOD HEAD, ALUMINIUM, 5251-H34, 207 MM BY 140 MM BY 3 MM	Z3522/008-626 Z5394/GYD626	2			
062	STRAP, WEBBING BUCKLE AND RUNNING END, 60CM O/A LG (INCLUDES WE 051, WE 057 AND WE 063)	5340 66-144-8930 Z3522/008-702-1 Z5394/GYD702/1	4EA		X	LMH
063	WEBBING, 25.4 MM W, 560 MM LG. (MANUFACTURE FROM WE 917 OR USE WE 062)	/NIL /NIL	1			
064	STRAP, WEBBING BUCKLE AND RUNNING END, 40CM O/A LG (INCLUDES WE 051, WE 065 AND WE 066)	5340 66-144-8931 Z3522/008-701-1 Z5394/GYD701/1	2EA		X	LMH
065	PLATE, ANCHOR (ALSO PART OF WE 064)	Z3522/008-703 Z5394/GYD703	1			
066	WEBBING, 25.4 MM W, 450 MM LG. (MANUFACTURE FROM WE 917 OR USE WE 064)	/NIL /NIL	1			

ISSUE NO: 1

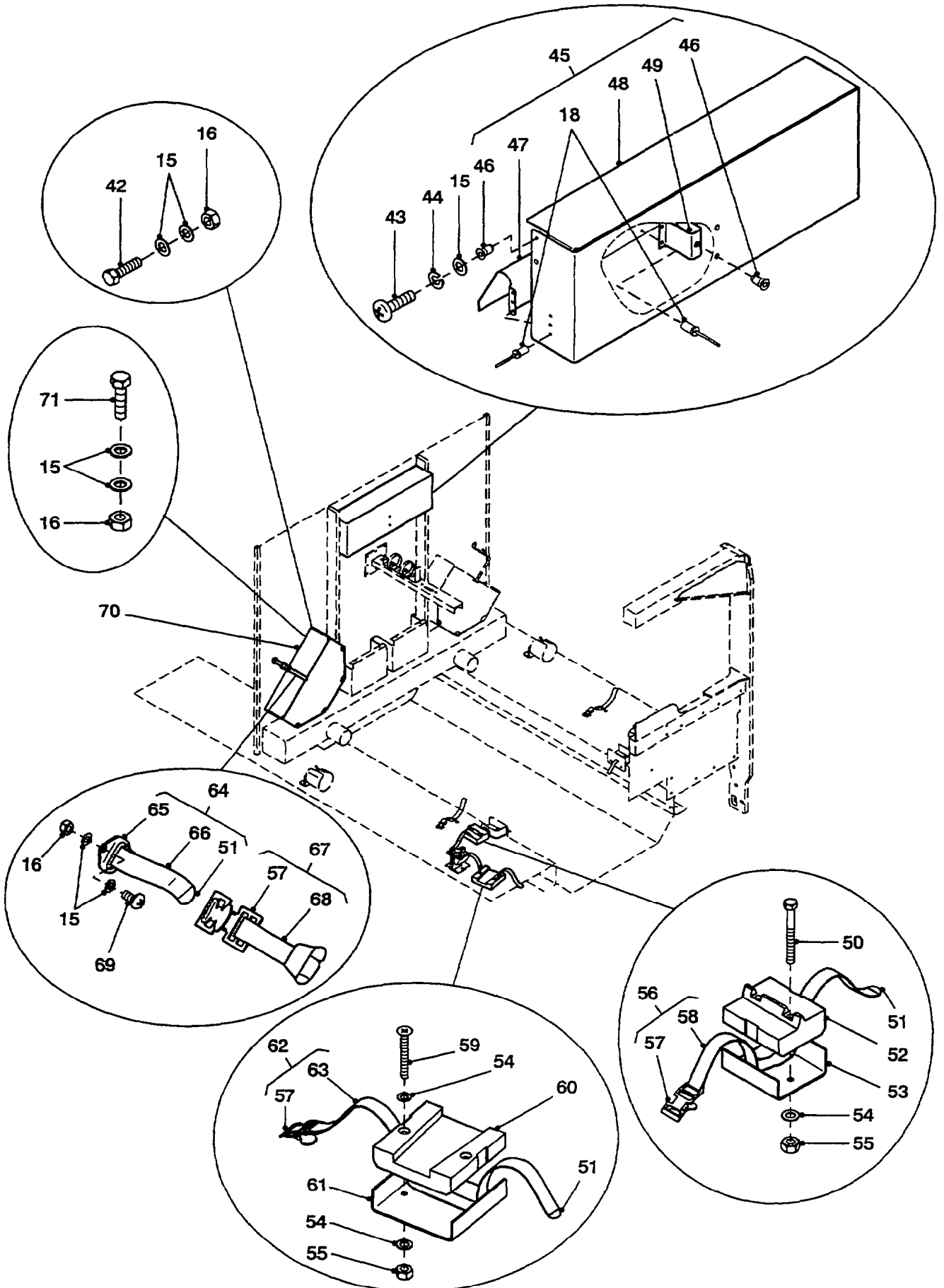
REPAIR PARTS SCALE: 02226

PAGE NO: 52

\* GRADE OF REPAIR (LIGHT, MEDIUM OR HEAVY)

# GROUP WE SHEET 5

# 02226



## INTERIOR FIXTURES (CREW AREA)

## UNCONTROLLED WHEN PRINTED

GROUP WE/5  
 TITLE INTERIOR FIXTURES

ITEM NO	DESIGNATION	NSN MANUFACTURER CODE/PART NO SUPPLIER CODE/PART NO	NO OFF	U O I	E X P	L* M* H*
067	STRAP, WEBBING BUCKLE AND TWIST LOOP, 20CM O/A LG (INCLUDES WE 057 AND WE 068)	5340 66-144-8932 Z3522/008-692-1 Z5394/GYD692	4	EA	X	LMH
068	WEBBING, 25.4 MM W, 420 MM LG. (MANUFACTURE FROM WE 917 OR USE WE 067)	/NIL /NIL	1			
069	SCREW, MUSHROOM HD, M6 BY 16 MM LG.	Z3522/008560-BL06016L Z5394/MYH3761	2			
070	ENCLOSURE	Z3522/008-632 Z5394/GYD632	2			
906	MATTING, RUBBER, PEAK RIBBED, BLACK, 3 MM BY 130 MM BY 675 MM LG. (MANUFACTURE FROM WA 906, USE WA 903 TO WA 905 TO SECURE)	/NIL /NIL	2			
071	BOLT, HEX HD, M6 BY 20 MM LG.	Z3522/008558-B006020M Z5394/BH106041	10			

ISSUE NO: 1

REPAIR PARTS SCALE: 02226

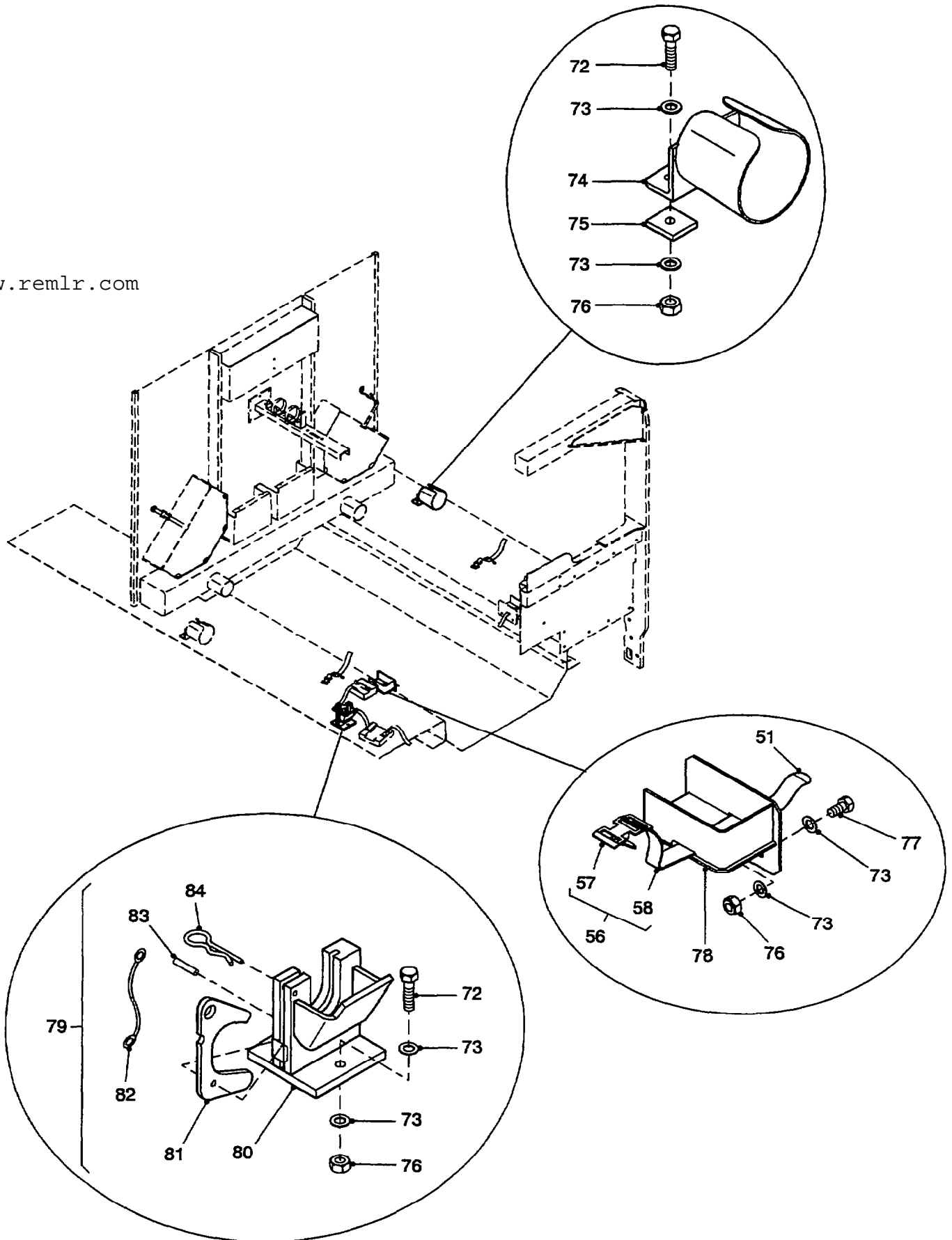
PAGE NO: 53

\* GRADE OF REPAIR (LIGHT, MEDIUM OR HEAVY)

**GROUP WE SHEET 6**

**02226**

www.remlr.com



**INTERIOR FIXTURES  
(CREW AREA)**

## UNCONTROLLED WHEN PRINTED

GROUP WE/6  
TITLE INTERIOR FIXTURES

ITEM NO	DESIGNATION	NSN MANUFACTURER CODE/PART NO SUPPLIER CODE/PART NO	NO OFF	U O	E X	L* M*
				I	P	H*
072	BOLT, HEX HD, M10 BY 35 MM LG.	Z3522/008558-B010035M Z5394/BH110071	8			
073	WASHER, FLAT, M10	Z3522/008561-BA100000 Z5394/WA110064	24			
074	SUPPORT CUP	Z3522/008-623 Z5394/GYD623	2			
075	PACKER, SUPPORT CUP, 4 MM ALUMINIUM SHEET, 30 MM BY 30 MM	Z3522/008-705 Z5394/GYD705	2			
076	NUT, NYLOC, M10	Z3522/008562-BE10000M Z5394/NZ110044	12			
077	BOLT, HEX HD, M10 BY 20 MM LG.	Z3522/008558-B010020M Z5394/SH110201	4			
078	BRACKET, AIMING POST, LH, 3 MM ALUMINIUM, 5251-H34, 150 MM BY 140 MM BY 90 MM	Z3522/008-638-2 Z5394/GYD638/2	1			
907	BRACKET, AIMING POST, RH, 3 MM ALUMINIUM, 5251-H34, 150 MM BY 140 MM BY 90 MM	Z3522/008-638-1 Z5394/GYD638/1	1			
079	REAR SUPPORT ASSEMBLY, LH (INCLUDES WE 080 TO WE 084)	Z3522/008-620-01 Z5394/GYD620/01	1			
908	REAR SUPPORT ASSEMBLY, RH (INCLUDES WE 909, WE 910, WE 082 TO WE 084)	Z3522/008-620-02 Z5394/GYD620/02	1			
080	REAR SUPPORT, LH (ALSO PART OF WE 079)	Z3522/008-621-01 Z3522/008-621-01	1			
909	REAR SUPPORT, RH (ALSO PART OF WE 908)	Z3522/008-621-02 Z3522/008-621-02	1			
081	CATCH, LH (ALSO PART OF WE 079)	Z3522/008-622-01 Z5394/GYD622/01	1			
910	CATCH, RH (ALSO PART OF WE 908)	Z3522/008-622-02 Z5394/GYD622/02	1			

ISSUE NO: 1

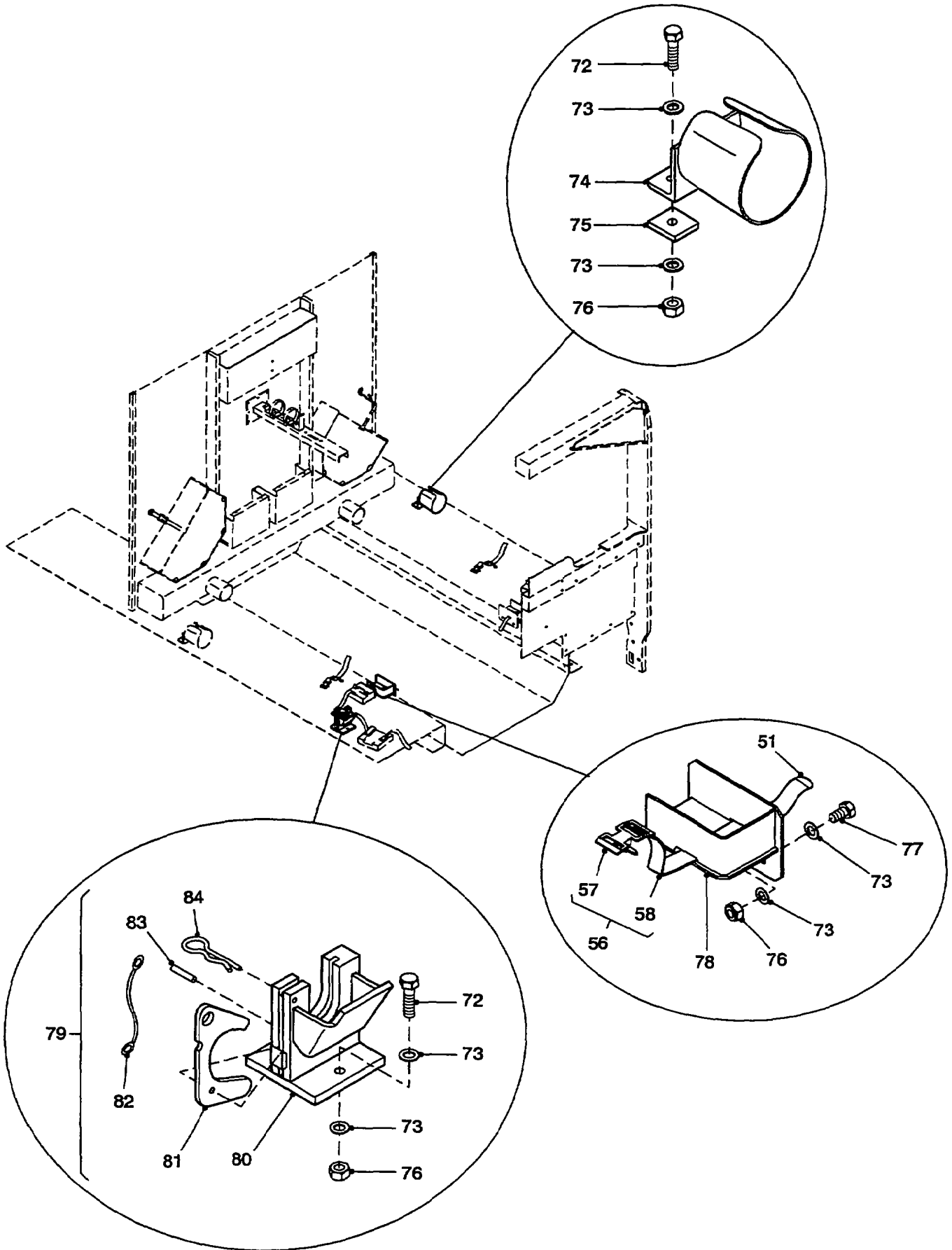
REPAIR PARTS SCALE: 02226

PAGE NO: 54

\* GRADE OF REPAIR (LIGHT, MEDIUM OR HEAVY)

**GROUP WE SHEET 6**

**02226**

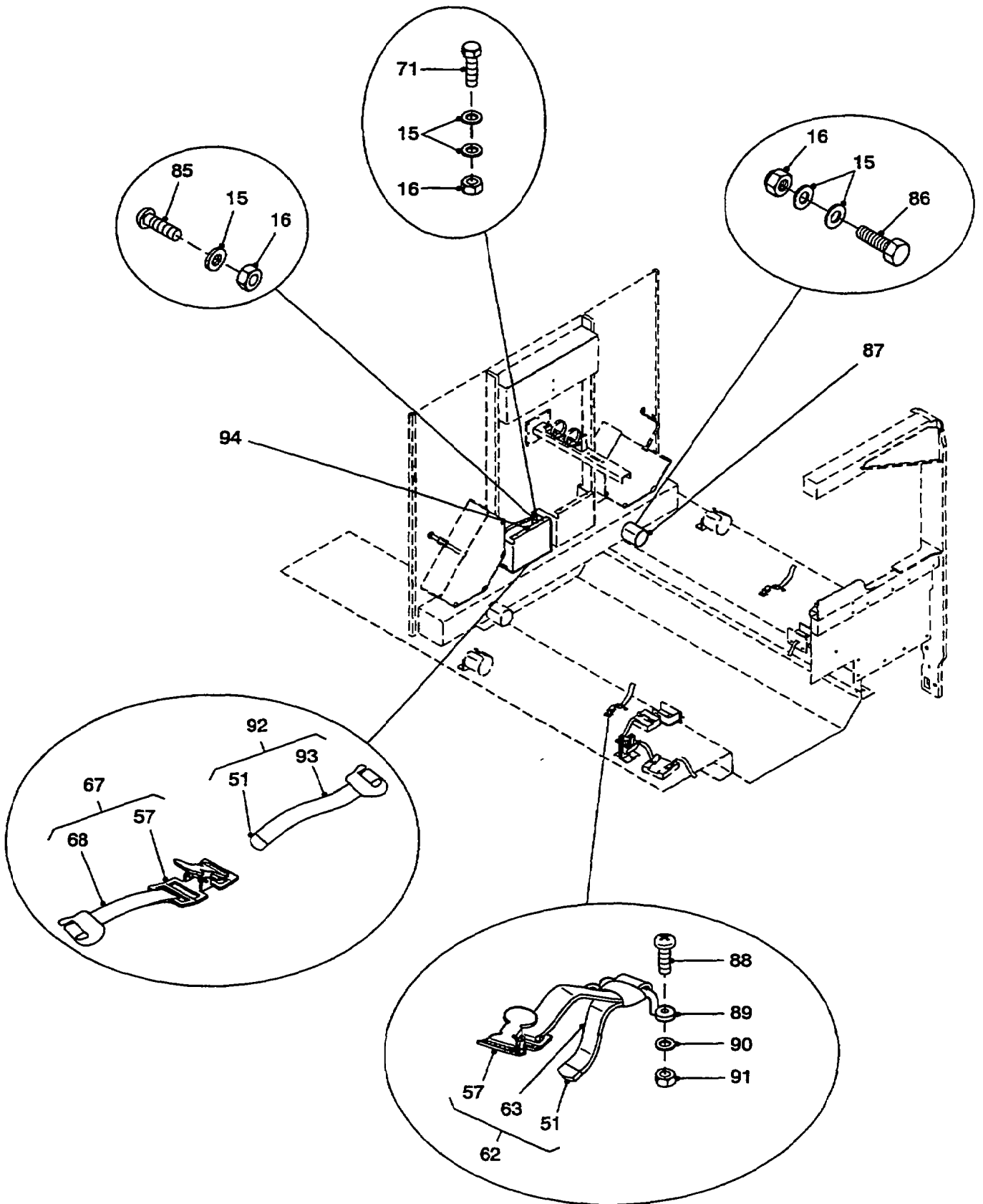


**INTERIOR FIXTURES  
(CREW AREA)**

GROUP WE/6  
 TITLE INTERIOR FIXTURES

ITEM NO	DESIGNATION	NSN MANUFACTURER CODE/PART NO SUPPLIER CODE/PART NO	NO OFF I	U O I	E X P	L* M* H*
082	CORD, FIBROUS RETAINING, PIP PIN, GUN MOUNT AND RING ASSEMBLY (ALSO PART OF WE 079 AND WE 908)	4020 66-144-6398 Z3522/008-084 Z5394/GYD084	1	EA	X	LMH
083	PIN, SELLOK, 6 MM DIA BY 25 MM LG. (USE WE 079 OR WE 908)	/NIL /NIL	1			
084	CLIP, RETAINING 'R', 5MM DIA BY 105MM LG (ALSO PART OF WE 079 AND WE 908)	5340 66-144-8933 Z1N23/B-13 Z5394/HYM1050	1	EA	X	LMH
ISSUE NO: 1      REPAIR PARTS SCALE: 02226      PAGE NO: 55						

\* GRADE OF REPAIR (LIGHT, MEDIUM OR HEAVY)



**INTERIOR FIXTURES  
(CREW AREA)**

## UNCONTROLLED WHEN PRINTED

GROUP WE/7  
TITLE INTERIOR FIXTURES

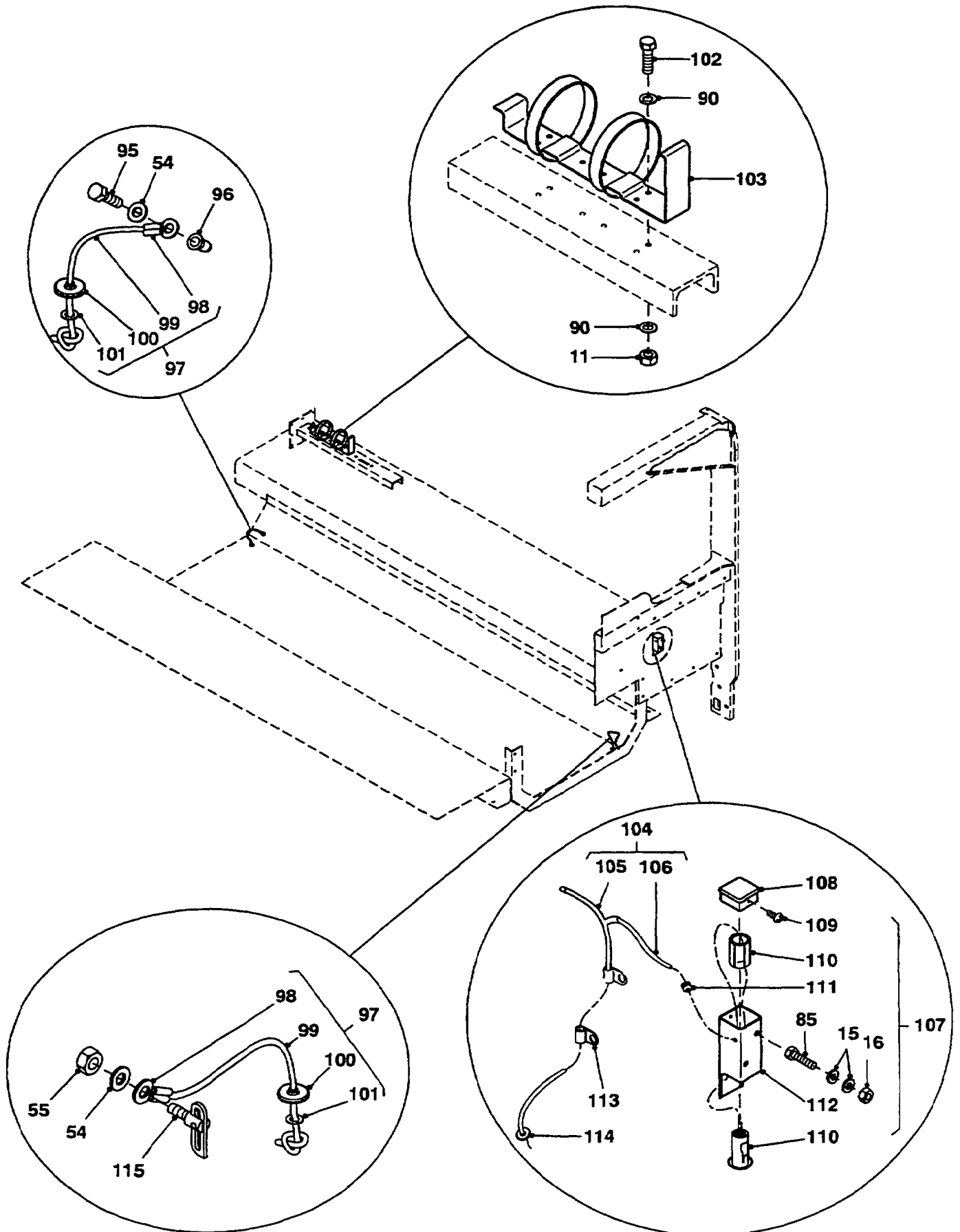
ITEM NO	DESIGNATION	NSN MANUFACTURER CODE/PART NO SUPPLIER CODE/PART NO	NO OFF	U O	E X	L* M* H*
085	SCREW, MUSHROOM HD, M6 BY 35 MM LG.	Z3522/008560-BL06035L Z5394/MYH3763	8			
086	BOLT, HEX HD, M6 BY 25 MM LG.	Z3522/008558-B006025M Z5394/BH106051	4			
087	ENCLOSURE, AIMING POST, ALUMINIUM TUBE, 5060 T5, WALL, 60 MM DIA, 110 MM LG.	Z3522/008-637 Z5394/GYD637	2			
088	SCREW, PAN HD, CROSS RECESS, M5 BY 20 MM LG.	Z3522/008560-BF05020L Z5394/SE105201	4			
089	BREECHING STAPLE	ZL110/9905 Z5394/HYM1002	2			
090	WASHER, FLAT, M5	Z3522/008561-BA050000 Z5394/WA105004	8			
091	NUT, NYLOC, M5	Z3522/008562-AE05000M Z5394/NY105041	4			
092	STRAP, WEBBING TWIST LOOP AND RUNNING END, 50CM O/A LG (INCLUDES WE 051 AND WE 093)	5340 66-144-8934 Z3522/008-704-1 Z5394/GYD704/1	2	EA	X	
093	WEBBING, 25.4 MM W, 625 MM LG. (MANUFACTURE FROM WE 917 OR USE WE 092)	/NIL /NIL	1			
094	ENCLOSURE, SIGHT, 2 MM ALUMINIUM SHEET, 5251-H34, 220 MM BY 346 MM LG.	Z3522/008-642 Z5394/GYD642	2			

ISSUE NO: 1

REPAIR PARTS SCALE: 02226

PAGE NO: 56

\* GRADE OF REPAIR (LIGHT, MEDIUM OR HEAVY)



**INTERIOR FIXTURES  
(CREW AREA)**

## UNCONTROLLED WHEN PRINTED

GROUP WE/8  
 TITLE INTERIOR FIXTURES

ITEM NO	DESIGNATION	NSN MANUFACTURER CODE/PART NO SUPPLIER CODE/PART NO	NO OFF	U O	E X	L* M* H*
095	BOLT, HEX HD, M8 BY 20 MM LG.	Z3522/008558-B008020M Z5394/SH108201	2			
096	RIVNUT, 1/4 INCH	Z1742/2771-0817 Z5394/HYM941	2			
097	GROMMET AND CORD ASSEMBLY (INCLUDES WE 098 TO WE 101)	Z5394/HYG3262 Z5394/HYG3262	4			
098	TERMINAL (ALSO PART OF WE 097)	Z0220/H2360 Z0220/H2360	1			
099	CORD, NYLON, FOREST GREEN, 3.1 MM OD, 150 MM LG. (USE WE 097)	/NIL /NIL	1			
100	GROMMET, RUBBER, BLACK (USE WE 097)	/NIL /NIL	1			
101	WASHER, FLAT, 3 MM ID. (ALSO PART OF WE 097)	Z5394/WA103001 Z5394/WA103001	1			
102	BOLT, HEX HD, M5 BY 20 MM LG.	Z3522/008558-B005020M Z5394/BH105041	4			
103	BRACKET, FIRE EXTINGUISHER DOUBLE STRAP	4210 66-144-8935 Z3522/008-965 Z5394/GYD965	1	EA	X	LMH
104	HARNESS, REAR MODULE CIGARETTE LIGHTER (INCLUDES WE 105, WE 106 AND WE 911 TO WE 913)	Z3522/008-963 Z5394/GYD963	1			
105	TUBING, PVC, 4 MM, BLACK, (USE WE 916 OR USE WE 104)	/NIL /NIL	1			
106	WIRE, 26/0.32, PURPLE, 1020 MM LG WITH 700 MM LG LEG (USE WE 104)	/NIL /NIL	1			
911	TERMINAL, QUICK DISCONNECT (ALSO PART OF WE 104)	5940 66-102-4112 Z0220/H2743 Z5394/MYH964	2	EA	X	LMH

ISSUE NO: 1

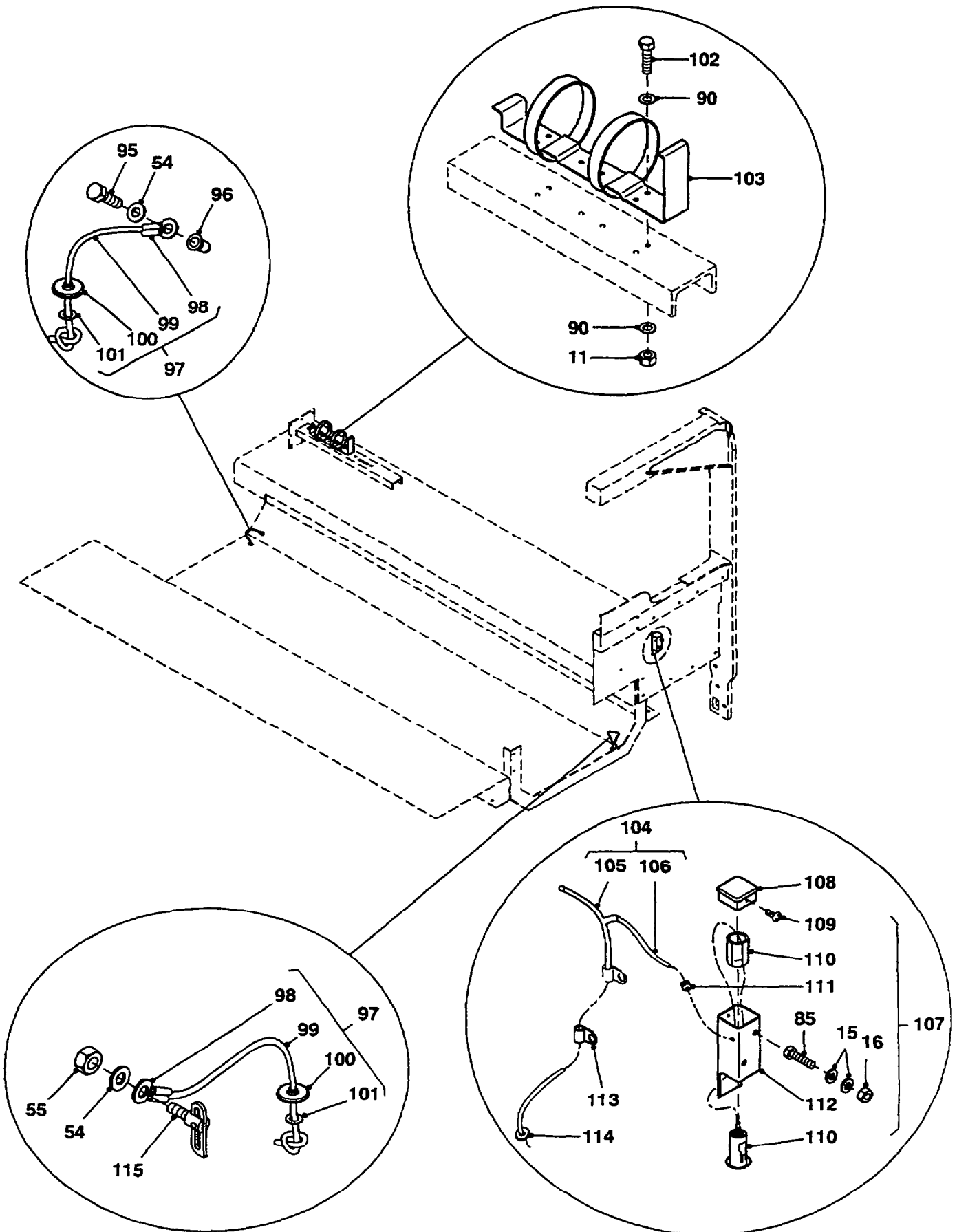
REPAIR PARTS SCALE: 02226

PAGE NO: 57

\* GRADE OF REPAIR (LIGHT, MEDIUM OR HEAVY)

**GROUP WE SHEET 8**

**02226**



**INTERIOR FIXTURES  
(CREW AREA)**

## UNCONTROLLED WHEN PRINTED

GROUP WE/8  
TITLE INTERIOR FIXTURES

ITEM NO	DESIGNATION	NSN MANUFACTURER CODE/PART NO SUPPLIER CODE/PART NO	NO OFF	U O	E X	L* M* H*
912	INSULATION SLEEVING, ELECTRICAL, SPECIAL PURPOSE PVC, CLEAR, 33.0 MM LG., 4.6 MM OD (ALSO PART OF WE 104)	5970 66-128-4715 Z0220/H2806 Z5394/AYG9120	2	EA	X	LMH
913	FERRULE, ELECTRICAL CONDUCTOR BULLET, BRASS, CRIMP, 12.7 MM LG, 4.7 MM OD (ALSO PART OF WE 104)	5940 66-128-4737 Z0220/H2721 Z5394/MYH2565	1	EA	X	LMH
107	CIGARETTE LIGHTER ASSEMBLY (INCLUDES WE 015, WE 016, WE 085 AND WE 108 TO WE 112)	Z3522/008-964 Z5394/GYD964	2			
108	CAP, PLASTIC, BLACK (ALSO PART OF WE 107)	Z1W34/PN78X40 Z5394/HYM1008	1			
109	SCREW, PAN HD, RECESSED, 8G BY 10 MM LG. (ALSO PART OF WE 107)	Z5394/AB108031 Z5394/AB108031	1			
110	CIGARETTE LIGHTER, 12V (ALSO PART OF WE 107)	Z1G21/CL12B Z5394/AYG9120	1			
111	GROMMET, CABLE (ALSO PART OF WE 107)	Z0R70/152-331 Z5394/HYM934	1			
112	BRACKET, CIGARETTE LIGHTER (ALSO PART OF WE 107)	Z3522/008-211 Z5394/GYD211	1			
113	'P' CLIP	Z5394/HYG6625 Z5394/HYG6625	9			
114	GROMMET, NONMETALLIC RUBBER	5325 66-128-4578 Z5394/MYH3345 Z5394/MYH3345	1	EA	X	LMH
115	FASTENER, ANTI-LUCE, M8	Z3522/008-080 Z5394/GYD080	2			
914	WIRE, ELECTRICAL, BLACK, 17/0.3, 30 MR ROLL (USE AS REQUIRED, REFER QLB 917)	ZR755/8605055005 Z5394/8605055005	1			

ISSUE NO: 1

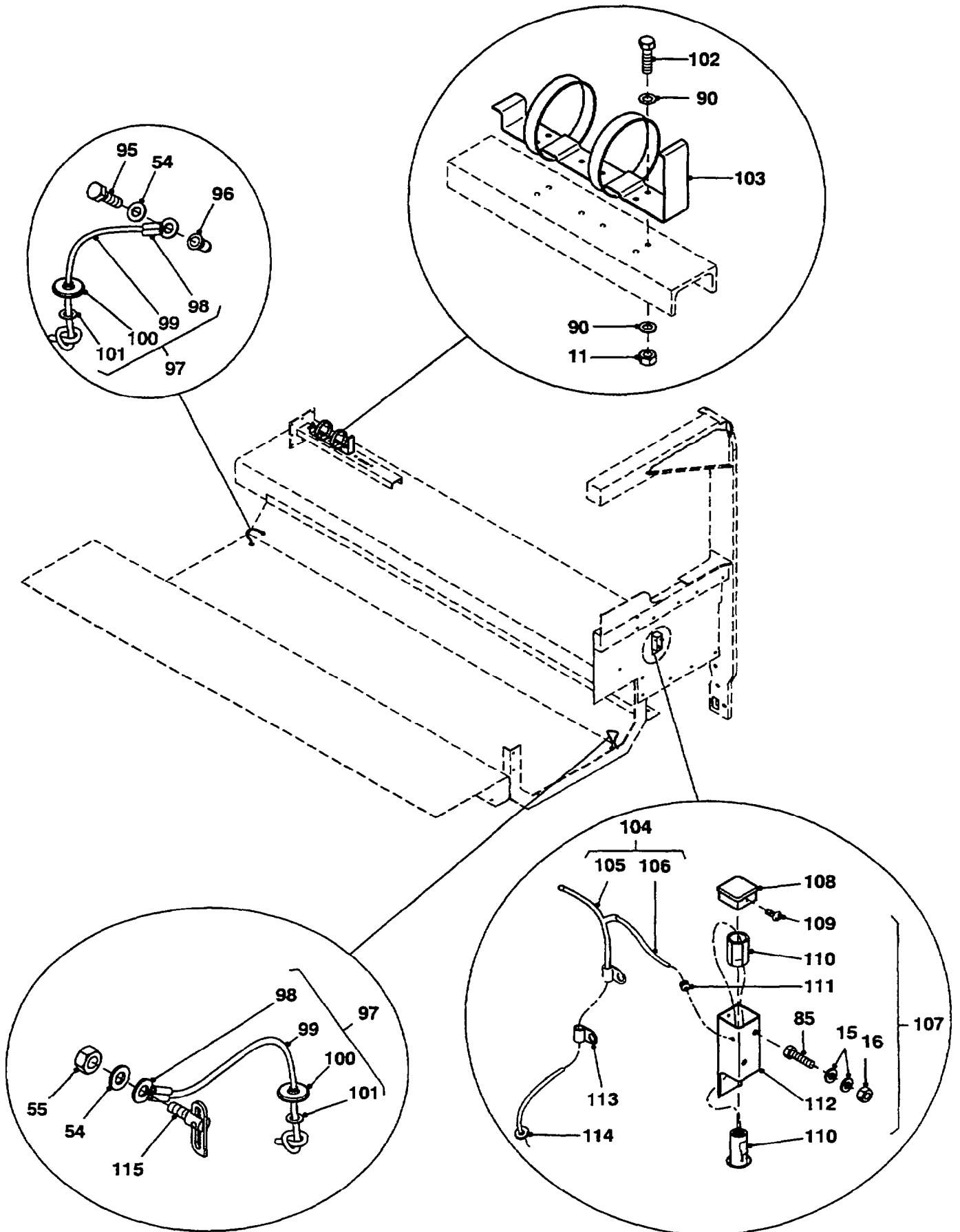
REPAIR PARTS SCALE: 02226

PAGE NO: 58

\* GRADE OF REPAIR (LIGHT, MEDIUM OR HEAVY)

**GROUP WE SHEET 8**

**02226**



**INTERIOR FIXTURES  
(CREW AREA)**

## UNCONTROLLED WHEN PRINTED

GROUP WE/8  
 TITLE INTERIOR FIXTURES

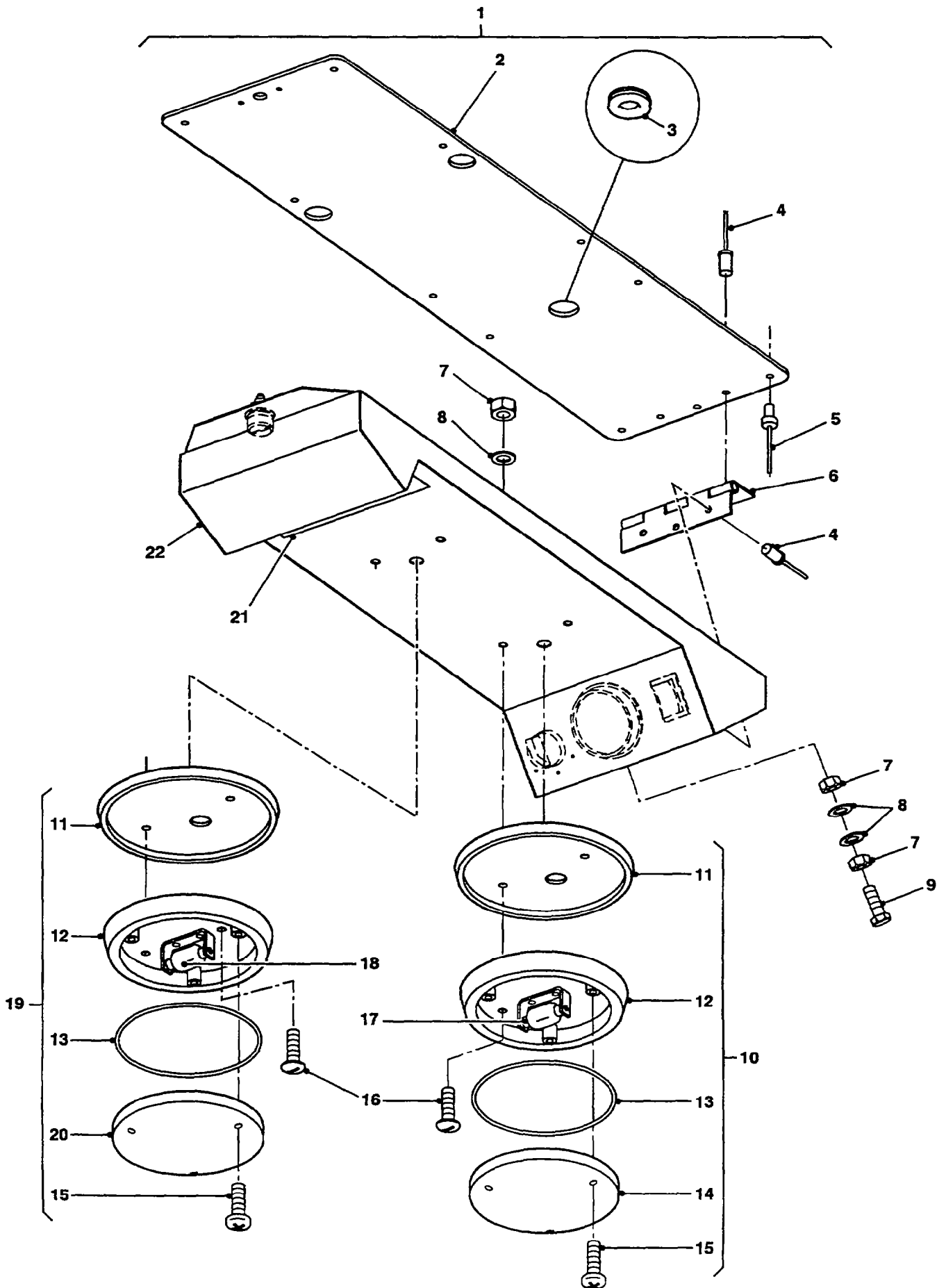
ITEM NO	DESIGNATION	NSN MANUFACTURER CODE/PART NO SUPPLIER CODE/PART NO	NO OFF	U O I	E X P	L* M* H*
915	WIRE, ELECTRICAL, BLUE / WHITE, 17/0.3, 30 MR ROLL (USE AS REQUIRED, REFER QLB 914)	ZR755/8605055025 Z5394/8605055025	1			
916	TUBING, PVC, 4 MM, BLACK, 1750 MM LG. (USE AS REQUIRED)	Z3914/Q7262040 Z5394/Q7262040	1			
917	WEBBING, DRAB OLIVE, 25 MM WIDE, 40 MR ROLL (ALSO PART OF WE 058, WE 063, WE 066, WE 068 AND WE 093, USE AS REQUIRED)	Z3460/B2503-566 Z3460/B2503-566	1			
918	PAD, OCCUPANT CP, 120MM BY 40MM BY 500MM LG (ADHERE TO ROLL OVER PROTECTION USING WA 903 TO WA 905)	2540 66-144-8936 Z3522/008-747 Z5394/GYD747	2EA		X	LMH
919	PAD, OCCUPANT 300 MM X 200 MM (INCLUDES WE 015, WE 016 AND WE 920)	2540 66-144-6492 Z5186/27-521 Z5394/GYD741	2EA		X	LMH
920	PLATE (USE WE 919)	/NIL /NIL	1			

ISSUE NO: 1

REPAIR PARTS SCALE: 02226

PAGE NO: 59

\* GRADE OF REPAIR (LIGHT, MEDIUM OR HEAVY)



**CONSOLE - COMMAND POST**

## UNCONTROLLED WHEN PRINTED

GROUP WEA/1  
TITLE CONSOLE - COMMAND POST

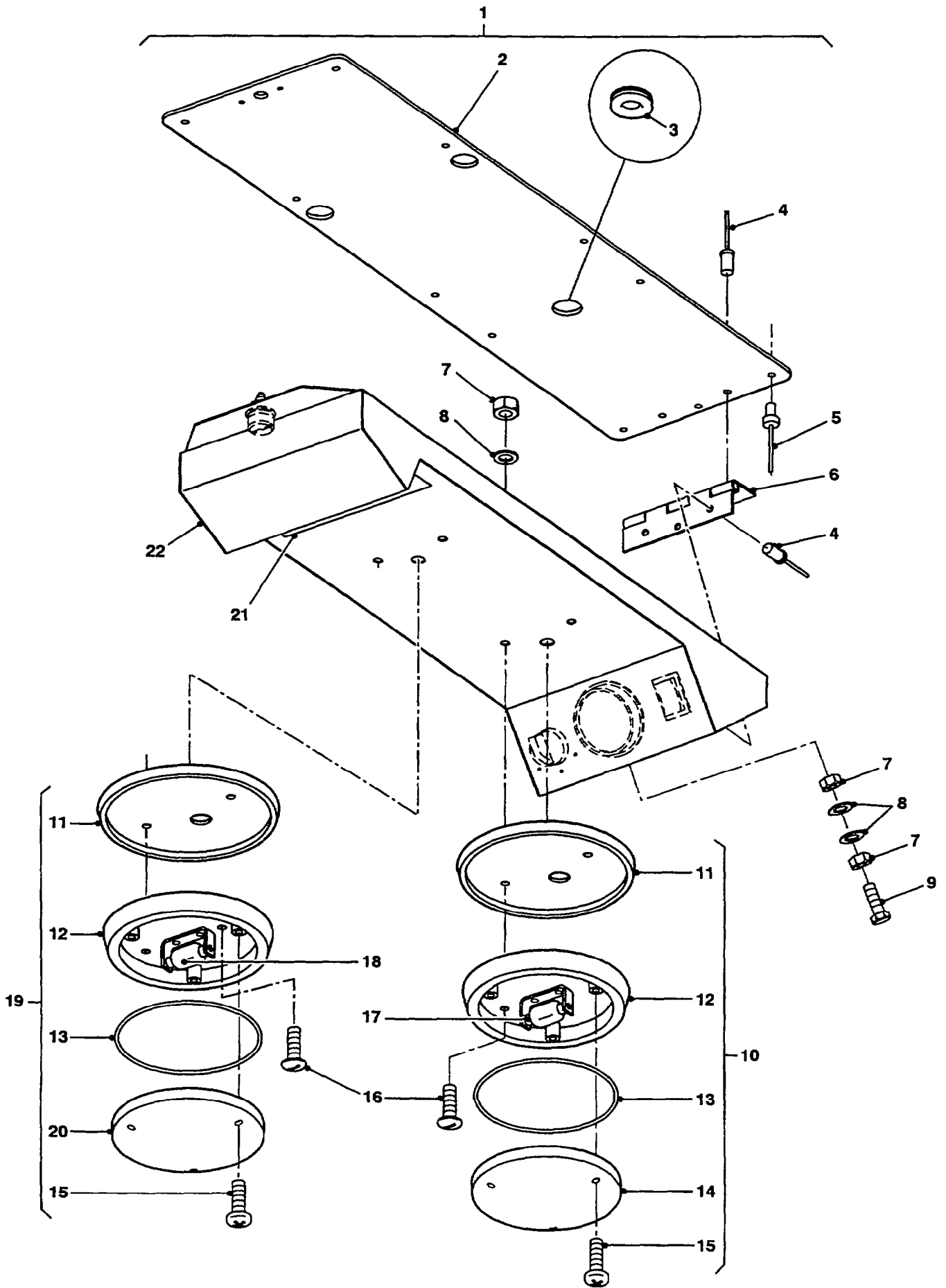
ITEM NO	DESIGNATION	NSN MANUFACTURER CODE/PART NO SUPPLIER CODE/PART NO	NO OFF	U O	E X	L* M* H*
001	ROOF CONSOLE ASSEMBLY (INCLUDES WEA 002 TO WEA 033 AND WEA 904 TO WEA 906)	Z3522/008-647 /NIL	1			
002	DUST COVER, ALUMINIUM SHEET, 5252-H34 TO AS1734, 3 MM THK, 585 MM BY 164 MM (ALSO PART OF WEA 001)	Z3522/008-648 Z5394/GYD648	1			
901	TAPE, SEALING, FOAM, 4 MM BY 20 MM WIDE, 1500 MM LG. (REFER WEA 903, ALSO PART OF WEA 001)	/NIL /NIL	1			
003	GROMMET, BLACK, 1-1/8 INCH BY 1 INCH (ALSO PART OF WEA 001)	Z2T55/238-154 Z5394/HYM1054	1			
004	RIVET, BLIND, 4.8 MM BY 15 MM, ALUMINIUM (ALSO PART OF WEA 001)	ZL110/72A366 Z5394/RA612373	6			
005	RIVET, BLIND, ALUMINIUM, 4.8 MM BY 11.4 MM LG. (ALSO PART OF WEA 001)	Z1F95/0116-5805 Z5394/RA612313	10			
006	HINGE, 50 MM BY 70 MM (ALSO PART OF WEA 001)	Z1F95/T7016FPZP Z5394/GYD699	1			
007	NUT, PLAIN, M5, ZINC PLATED (ALSO PART OF WEA 001)	Z3522/008562-AA05000K Z5394/NH105041	7			
008	WASHER, MILD STEEL, M5, ZINC PLATED (ALSO PART OF WEA 001)	Z3522/008561-AA050000 Z5394/WA105001	6			
009	BOLT, HEX HD, M5 BY 20 MM LG. (ALSO PART OF WEA 001)	Z3522/008558-B005020M Z5394/BH105041	1			
010	LIGHT, DOME PLASTIC, INTERIOR CEILING MOUNT, DUEL 24 VOLT FESTOON INCANDESCANT LAMPS, 108.0 MM O/A DIA. (INCLUDES WEA 011 TO WEA 015, ALSO PART OF WEA 001)	6220 66-128-5904 Z0645/2063 Z5394/HYL9063	2EA	X		LMH
011	GASKET, RUBBER, BLACK (USE WEA 010 OR WEA 019)	/NIL /NIL	1			

ISSUE NO: 1

REPAIR PARTS SCALE: 02226

PAGE NO: 60

\* GRADE OF REPAIR (LIGHT, MEDIUM OR HEAVY)



**CONSOLE - COMMAND POST**

## UNCONTROLLED WHEN PRINTED

GROUP WEA/1  
 TITLE CONSOLE - COMMAND POST

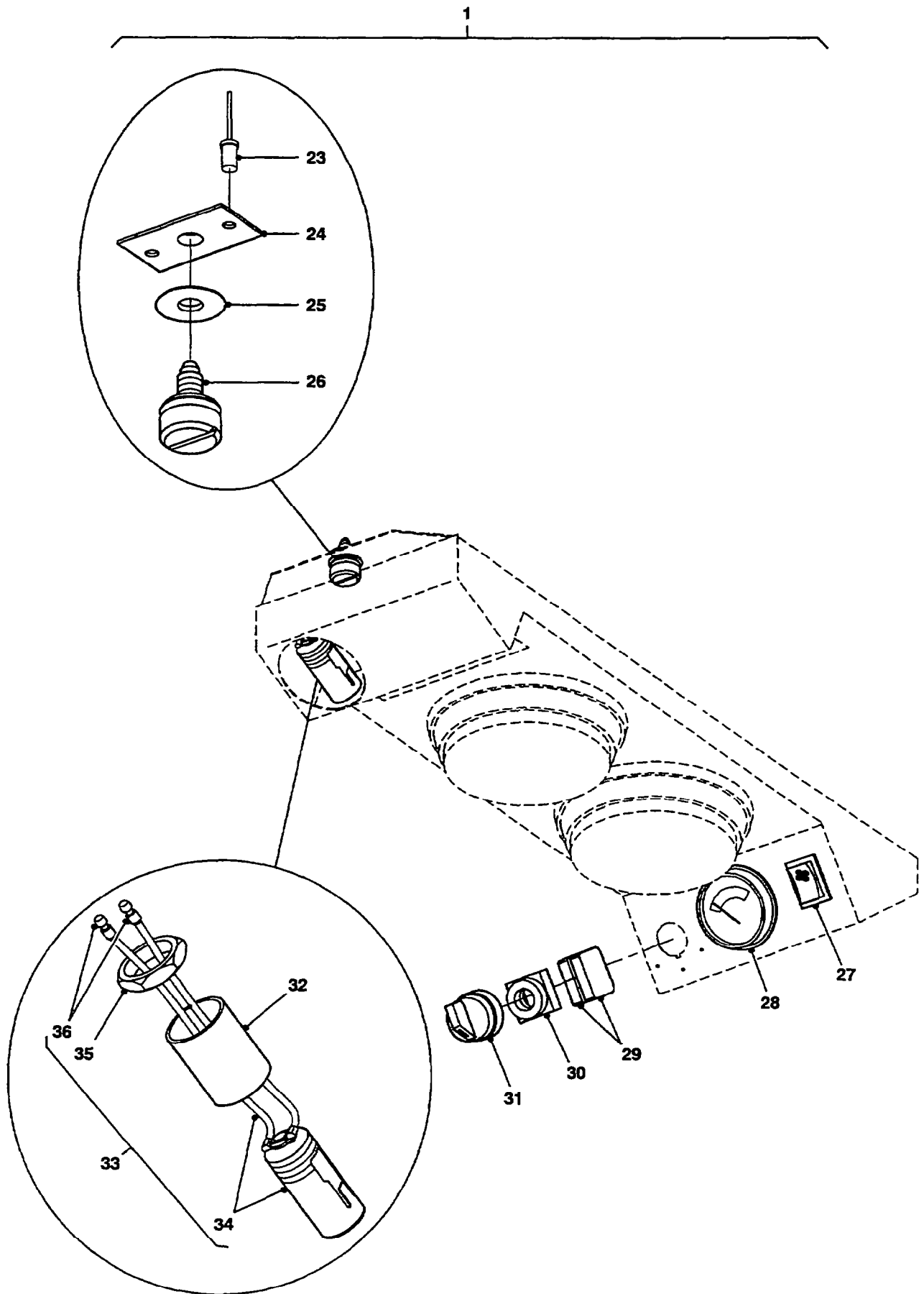
ITEM NO	DESIGNATION	NSN MANUFACTURER CODE/PART NO SUPPLIER CODE/PART NO	NO OFF	U O	E X	L* M* H*
012	BASE, LIGHT, 132.5 MM OD. (USE WEA 010 OR WEA 019)	/NIL /NIL	1			
013	GASKET, LENS (ALSO PART OF WEA 010 AND WEA 019)	Z0645/9.2397.40 Z5394/HYM918	1			
014	LENS, LIGHT DOME LIGHT (ALSO PART OF WEA 010)	6220 66-120-4188 Z0645/2.9800.08 Z5394/HYM917	1	EA	X	LMH
015	SCREW, 20 MM LG. (USE WEA 010 OR WEA 019)	/NIL /NIL	3			
016	SCREW, PAN HD, CROSS RECESS, M5 BY 20 MM LG, ZINC PLATED (USE WEA 010 OR WEA 019)	Z3522/008560-AB05020L Z5394/SE105201	4			
017	LAMP, INCANDESCENT 12V, 5 W, BRASS FERRULES BASE, "CYL" SHAPE, CLEAR (USE WITH WEA 010)	6240 66-014-8509 Z0645/L125 Z5394/HYL4098	1	EA	X	LMH
018	LAMP, INCANDESCENT 12V, 21W, 41 MM O/A LG, 15.5 MM O/A DIA (USE WITH WEA 019)	6240 66-143-7499 Z0645/K1221 Z5394/HYL4099	1	EA	X	LMH
019	LIGHT, ROUND ASSEMBLY, BLUE LENS, 132.5MM OD (INCLUDES WEA 011 TO WEA 013, WEA 015 AND WEA 020)	6240 66-144-8938 Z5394/HYG7624 Z5394/HYG7624	1	EA	X	LMH
020	LENS, LIGHT BLUE, 108 MM DIA (ALSO PART OF WEA 019)	6220 66-133-4548 Z0645/2.9800.091 Z5394/HYM919	1	EA	X	LMH
021	LABEL, POWER DRAW, '1 AMP PER SOCKET', AUTOGRAPH VINYL, 20 MM BY 130 MM, WHITE ON BLACK (ALSO PART OF WEA 001)	Z3522/008-731 Z5394/GYD731	1			
022	PANEL, ROOF CONSOLE, 535 MM BY 164 MM BY 76.2 MM (ALSO PART WEA 001)	Z3522/008-649 Z5394/GYD649	1			

ISSUE NO: 1

REPAIR PARTS SCALE: 02226

PAGE NO: 61

\* GRADE OF REPAIR (LIGHT, MEDIUM OR HEAVY)



**CONSOLE - COMMAND POST**

## UNCONTROLLED WHEN PRINTED

GROUP WEA/2  
 TITLE CONSOLE - COMMAND POST

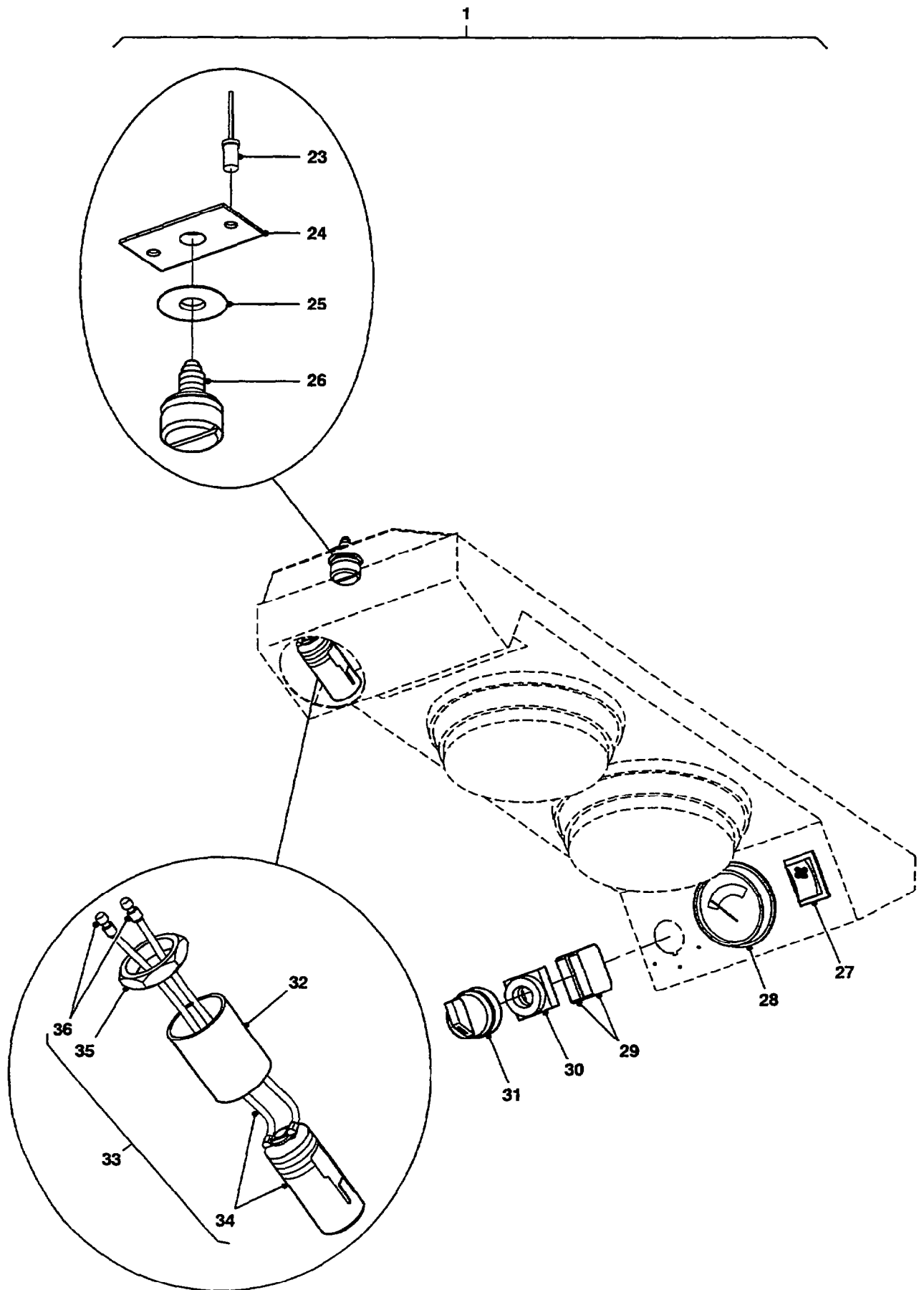
ITEM NO	DESIGNATION	NSN MANUFACTURER CODE/PART NO SUPPLIER CODE/PART NO	NO OFF	U O	E X	L* M* H*
023	RIVET, POP, 3.2 MM DIA, 7.9 MM LG. (ALSO PART WEA 001)	Z1F95/0220-3902 Z5394/RA608183	2			
024	RECEPTACLE, QUICK RELEASE (ALSO PART WEA 001)	Z2JV3/17-10015-13 Z5394/HYM1056	1			
025	RETAINER, SCREW (ALSO PART WEA 001)	Z2JV3/17/06/01 Z5394/HYM1052	1			
026	SCREW, QUICK RELEASE (ALSO PART WEA 001)	Z2JV3/17-13-104-11 Z5394/HYM1053	1			
027	SWITCH, TOGGLE HEATER FAN CONTROL (ALSO PART WEA 001)	5930 66-128-5614 Z5394/AYG9955 Z5394/AYG9955	1	EA	X	LMH
028	VOLTMETER WITH BLACK BEZEL (USE WEA 001)	6625 66-144-8939 ZD148/VM24 FARIA ZD148/VM24 FARIA	1	EA	X	LMH
029	CONTACT BLOCK (ALSO PART WEA 001)	ZF966/EK10 Z5394/HYM1061	2			
030	ADAPTER, FIXING (ALSO PART WEA 001)	ZF966/BE3 Z5394/HYM1060	1			
031	HANDLE, SWITCH SELECTOR (ALSO PART WEA 001)	5930 12-331-9990 ZF966/RWK3R Z5394/HYM1059	1	##	#	LMH
032	SPACER, ALUMINIUM TUBE, AS1734, 6063-T5, 27 MM OD, BY 1.8 MM, 38.5 MM LG. (ALSO PART WEA 001)	Z3522/008-672 Z5394/GYD672	3			
033	CONNECTOR, RECEPTACLE, ELECTRICAL POWER OUTLET ASSEMBLY (INCLUDES WEA 034 TO WEA 036, ALSO PART WEA 001)	5935 66-144-8940 Z3522/008-673 Z5394/GYD673	3	EA	X	LMH
034	POWER OUTLET (ALSO PART OF WEA 001 AND WEA 033)	Z3522/008-662 Z5394/GYD662	1			
035	NUT, POWER OUTLET (ALSO PART OF WEA 001 AND WEA 033)	Z3522/008-674 Z5394/GYD674	1			

ISSUE NO: 1

REPAIR PARTS SCALE: 02226

PAGE NO: 62

\* GRADE OF REPAIR (LIGHT, MEDIUM OR HEAVY)



**CONSOLE - COMMAND POST**

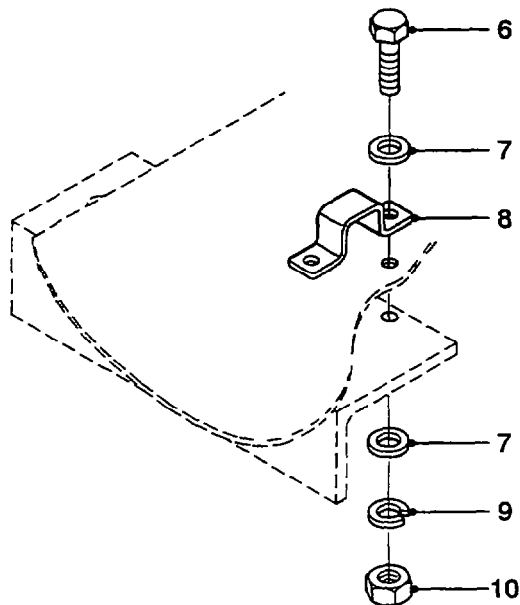
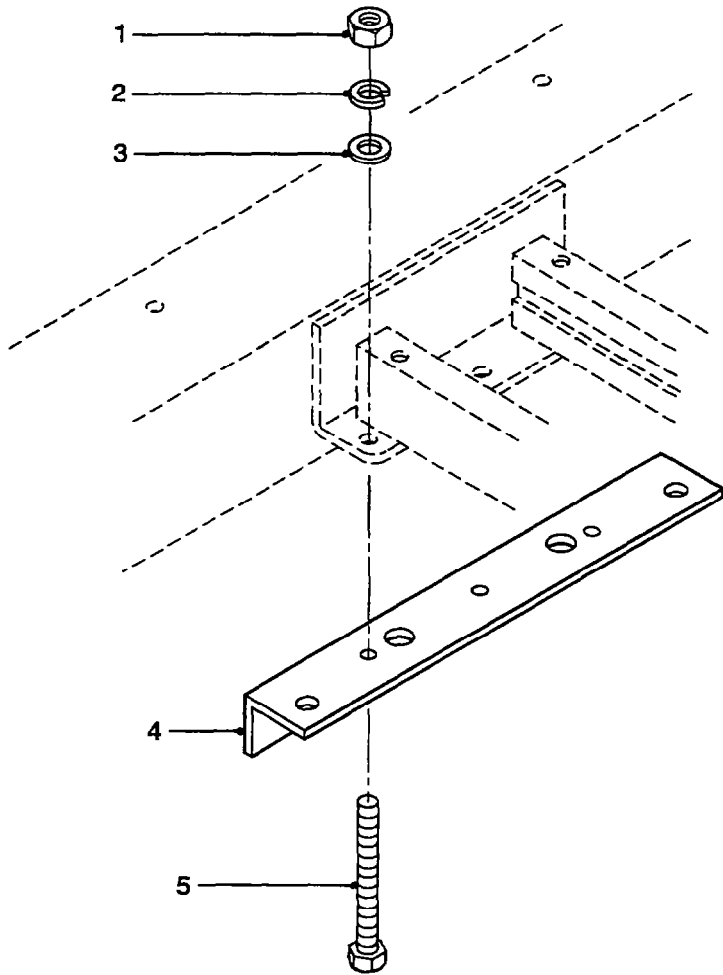
## UNCONTROLLED WHEN PRINTED

GROUP WEA/2  
 TITLE CONSOLE - COMMAND POST

ITEM NO	DESIGNATION	NSN MANUFACTURER CODE/PART NO SUPPLIER CODE/PART NO	NO OFF	U O I	E X P	L* M* H*
036	COVER, OIL PUMP STEEL, 3 MOUNTING HOLES, PERENTIE FAMILY OF VEHICLES. CONNECTOR (ALSO PART OF WEA 001 AND WEA 033)	Z0220/H2721 Z5394/MYH2565	2			
902	RECEPTACLE, BULLET, 4 WAY (USED TO CONNECT WEA 031 TO QLB 001)	Z5394/AYH9037 Z5394/AYH9037	2			
903	TAPE, SEALING, FOAM, 4 MM BY 20 MM WIDE, 10 MR ROLL (USE AS REQUIRED)	ZF118/TCR2004-8346 Z5394/HYM1058	1			

ISSUE NO: 1 REPAIR PARTS SCALE: 02226 PAGE NO: 63

\* GRADE OF REPAIR (LIGHT, MEDIUM OR HEAVY)



**RADIO FRAME AND BRACKETS**

## UNCONTROLLED WHEN PRINTED

GROUP WEB  
TITLE RADIO FRAME AND BRACKETS

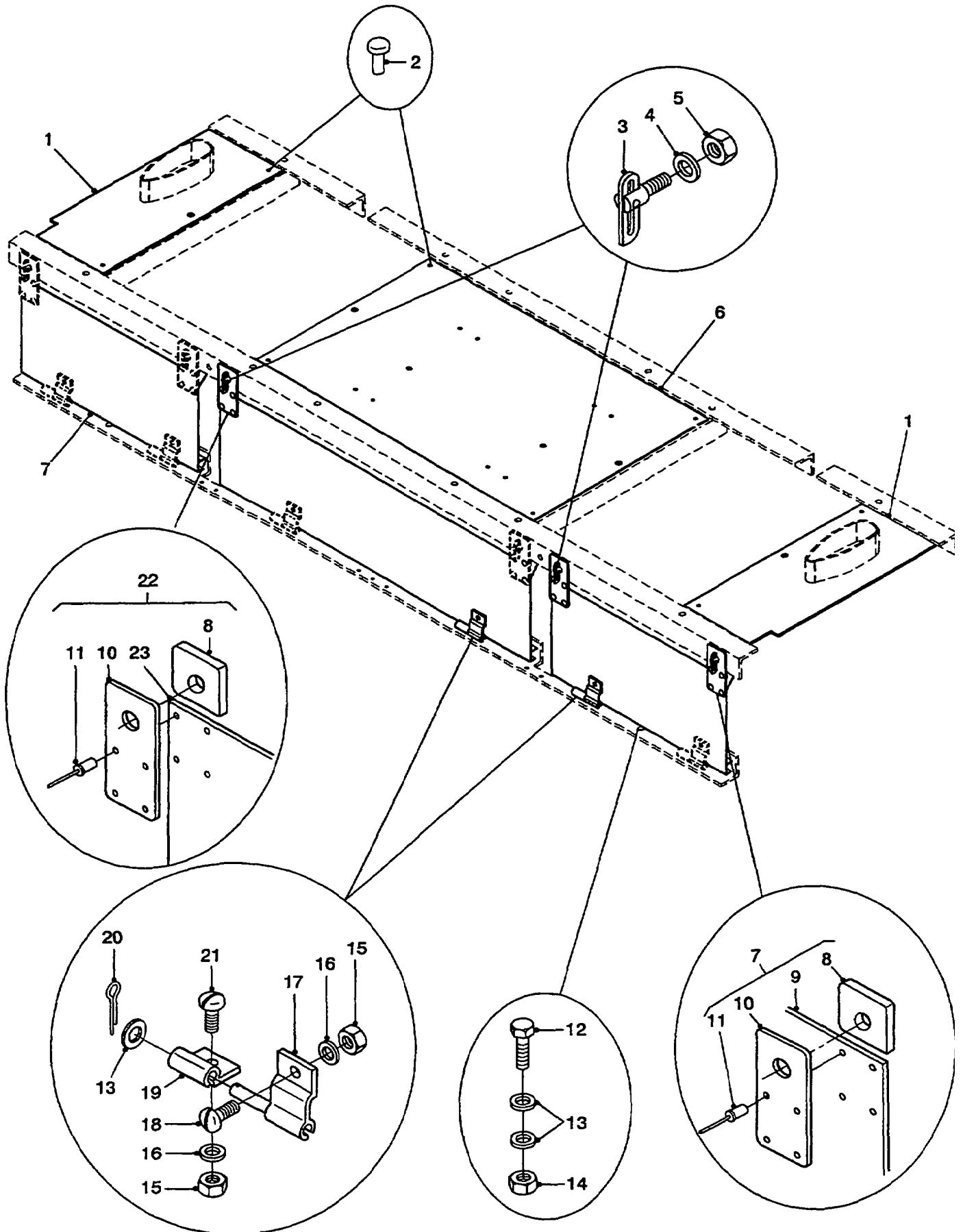
ITEM NO	DESIGNATION	NSN MANUFACTURER CODE/PART NO SUPPLIER CODE/PART NO	NO OFF	U O	E X	L* M* H*
001	NUT, NYLOC, M8	Z3522/008652-BE08000M Z5394/NY108001	3			
002	WASHER, SPRING, M8	Z3522/008561-BG080000 Z5394/WL108001	3			
003	WASHER, FLAT, M8	Z3522/008561-BA080000 Z5394/WA108001	3			
004	BRACKET, ANGLE, ALUMINIUM ALLOY, 6061 T6, 50 MM BY 40 MM BY 339 MM LG.	Z3522/008-680 Z5394/GYD680	1			
005	BOLT, HEX HD, M8 BY 30 MM LG.	Z3522/008558-B008030M Z5394/BH108061	3			
006	BOLT, HEX HD, M6 BY 25 MM LG, GRADE 8.8	Z3522/008558-B006025M Z5394/BH106051	8			
007	WASHER, FLAT, M6	Z3522/008561-BA060000 Z5394/WA106001	16			
008	BRACKET, SADDLE, STEEL, 65 MM BY 16 MM BY 4.8 MM, AS 3679-250	Z3522/008-688 Z5394/GYD688	4			
009	WASHER, LOCK, M6	Z3522/008561-BG060000 Z5394/WL106001	8			
010	NUT, NYLOC, M6	Z3522/008562-BE06000M Z5394/NY106001	8			

ISSUE NO: 1

REPAIR PARTS SCALE: 02226

PAGE NO: 64

\* GRADE OF REPAIR (LIGHT, MEDIUM OR HEAVY)



**UNDER SEAT STORAGE BINS  
AND WEAPON MOUNTING BRACKETS**

## UNCONTROLLED WHEN PRINTED

GROUP WED/1  
 TITLE UNDER SEAT STOWAGE BINS AND WEAPON MOUNTING BRACKETS

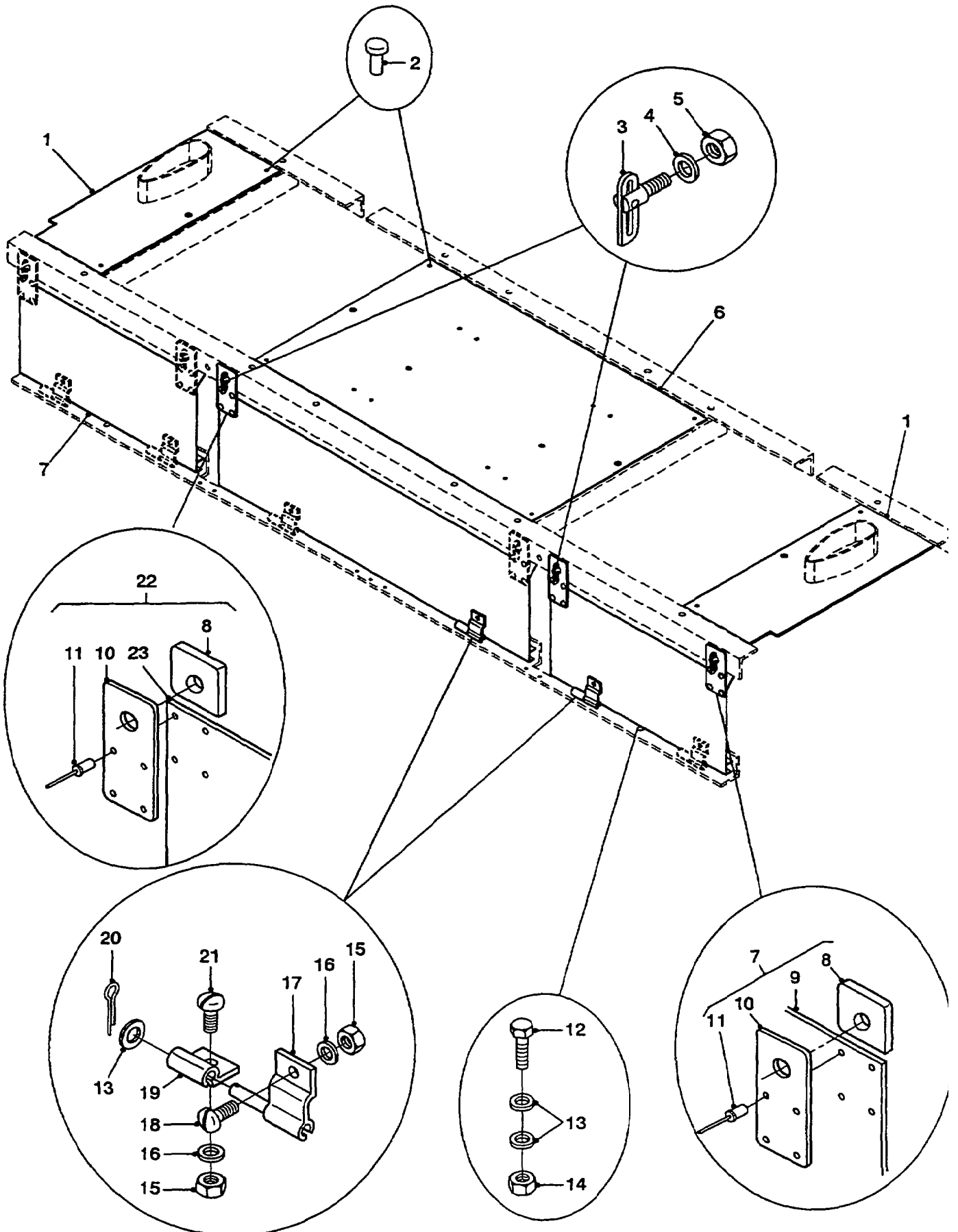
ITEM NO	DESIGNATION	NSN MANUFACTURER CODE/PART NO SUPPLIER CODE/PART NO	NO OFF	U O	E X	L* M* H*
001	COVER PLATE, SEAT, OUTER, 5 MM, ALUMINIUM SHEET, 5083-H321, 499 MM BY 205 MM	Z4681/43-1522-1 Z5394/FYD1522/1	2			
002	MONOBOLT, 1/4 INCH	Z5394/HYL8931 Z5394/HYL8931	8			
003	ANTI-LUCE FASTENER, M8	Z3522/008-080 Z5394/GYD080	6			
004	WASHER, FLAT, M8	Z3522/008561-BA080000 Z5394/WA108054	6			
005	NUT, NYLOC, M8	Z3522/008562-BE08000M Z5394/NZ108044	6			
006	PLATE, SEAT, UPPER MIDDLE, 3 MM ALUMINIUM, 5083-H321, 500 MM BY 790 MM LG.	Z4681/43-1521-1 Z5394/FYD1521/1	1			
007	STOWAGE DOOR, OUTER, ALUMINIUM EXTRUSION, N8710R, 250 MM BY 495 MM LG. (INCLUDES WED 008 TO WED 011)	Z3522/008-600 Z5394/GYD600	2			
008	TESA DURAFOAM 61102, 25 MM BY 3.2 MM BY 45 MM LG. (USE QTY 2 OFF PER BRACKET, ALSO PART OF WED 007 AND WED 022)	Z2688/247214 Z2688/247214	12			
009	PANEL, ALUMINIUM EXTRUSION, 6061 T6, 250 MM BY 495 MM LG. (ALSO PART OF WED 007)	Z3522/008-600-1 Z5394/GYD601/1	1			
010	PLATE, MOUNTING, 4 MM ALUMINIUM, 5083 H321, 50 MM BY 110 MM (ALSO PART OF WED 007 AND WED 022)	Z3522/008-600-2 Z5394/GYD600/2	2			
011	RIVET, BLIND, 4.8 MM BY 10.9 MM (ALSO PART OF WED 007 AND WED 022)	Z1F95/0115-4706 Z5394/RA612253	8			
012	BOLT, HEX HD, M10 BY 30 MM	Z3522/008558-B010030M Z5394/BH108061	8			

ISSUE NO: 1

REPAIR PARTS SCALE: 02226

PAGE NO: 65

\* GRADE OF REPAIR (LIGHT, MEDIUM OR HEAVY)



**UNDER SEAT STORAGE BINS  
AND WEAPON MOUNTING BRACKETS**

## UNCONTROLLED WHEN PRINTED

GROUP WED/1

TITLE UNDER SEAT STOWAGE BINS AND WEAPON MOUNTING BRACKETS

ITEM NO	DESIGNATION	NSN MANUFACTURER CODE/PART NO SUPPLIER CODE/PART NO	NO OFF	U	E	L*
				O	X	M*
				I	P	H*
013	WASHER, FLAT, M10	Z3522/008562-BA060000 Z5394/WA110064	22			
014	NUT, NYLOC, M10	Z3522/008562-BE01000M Z5394/NZ110044	8			
015	NUT, SELF-LOCKING, HEXAGON M6, STEEL, ZINC PLATED, BLACK	5310 66-144-6472 Z3522/008652-BE06000M Z5394/NZ106044	20	EA	X	LMH
016	WASHER, FLAT, M6	Z3522/008561-BA060000 Z5394/WA106044	20			
017	HINGE BODY, C/W PIN	Z4681/43-0041-5 Z5394/FYD0041/5	6			
018	SCREW, PAN HD, SLOTTED, M6 BY 16 MM LG.	Z3522/008560-BE06016L Z5394/SP106161	6			
019	HINGE, PIN RETAINING, ALUMINIUM, 6061 T6, EXTRUSION T9146R	Z4681/43-0041-10 Z5394/FYD0041/10	6			
020	PIN, SPLIT, 3.2 MM BY 16 MM, STAINLESS STEEL	Z1F95/0159-5705 Z5394/HYM1066	6			
021	SCREW, PAN HD, M6 BY 25 MM LG.	Z3522/008560-BE06025L Z5394/SP106251	6			
022	STOWAGE DOOR, CENTRE, 250 MM BY 878 MM LG. (INCLUDES WED 008, WED 010, WED 011 AND WED 023)	Z3522/008-601 Z5394/GYD601	1			
023	PANEL, ALUMINIUM EXTRUSION, 6061 T6, 250 MM BY 878 MM LG. (ALSO PART OF WED 022)	Z3522/008-601-1 Z5394/GYD601/1	1			

ISSUE NO: 1

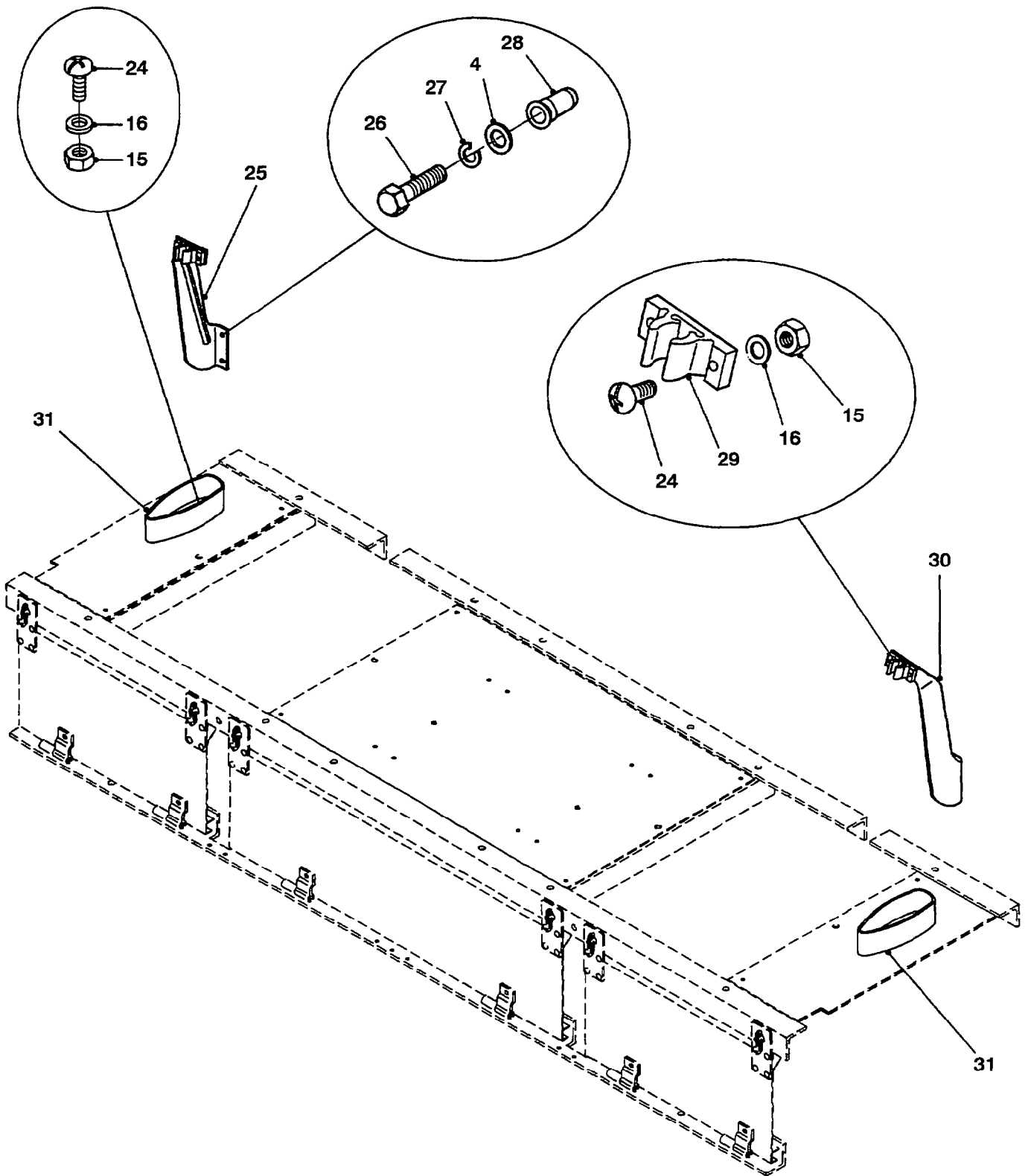
REPAIR PARTS SCALE: 02226

PAGE NO: 66

\* GRADE OF REPAIR (LIGHT, MEDIUM OR HEAVY)

**GROUP WED SHEET 2**

**02226**



**UNDER SEAT STORAGE BINS  
AND WEAPON MOUNTING BRACKETS**

## UNCONTROLLED WHEN PRINTED

GROUP WED/2

TITLE UNDER SEAT STOWAGE BINS AND WEAPON MOUNTING BRACKETS

ITEM NO.	DESIGNATION	NSN MANUFACTURER CODE/PART NO SUPPLIER CODE/PART NO	NO OFF	U O	E X	L* M* H*
024	SCREW, MUSHROOM HD, CROSS RECESS, M6 BY 20 MM LG.	Z3522/008560-BL06020M Z5394/MYH3762	8			
025	BRACKET, MOUNTING, LH	Z4681/43-1531-2 Z5394/FYD1531/2	1			
026	BOLT, HEX HD, M8 BY 20 MM LG.	Z3522/008558-B008020M Z5394/SH106201	4			
027	WASHER, SPRING, SINGLE COIL, M8	Z3522/008561-BG080000 Z5394/WL108004	4			
028	RIVNUT, M8	ZV963/AKS4-8125-7.9 Z5394/MM108301	4			
029	CLIP, SPRING TENSION PLASTIC, 67 MM LG, 31.5 MM THK, 25.4 MM W, OLIVE DRAB COLOUR	5340 66-128-5508 Z5394/MYH3386 Z5394/MYH3386	2EA		X	LMH
030	BRACKET, MOUNTING, RH	Z4681/43-1531-1 Z5394/FYD1531/1	1			
031	BOX, BUTT, RIFLE POLYPROPYLENE, 185 MM LG, 51.5 MM D BY 91 MM W	2540 66-128-5542 Z5394/HYG3498 Z5394/HYG3498	2EA		X	LMH

ISSUE NO: 1

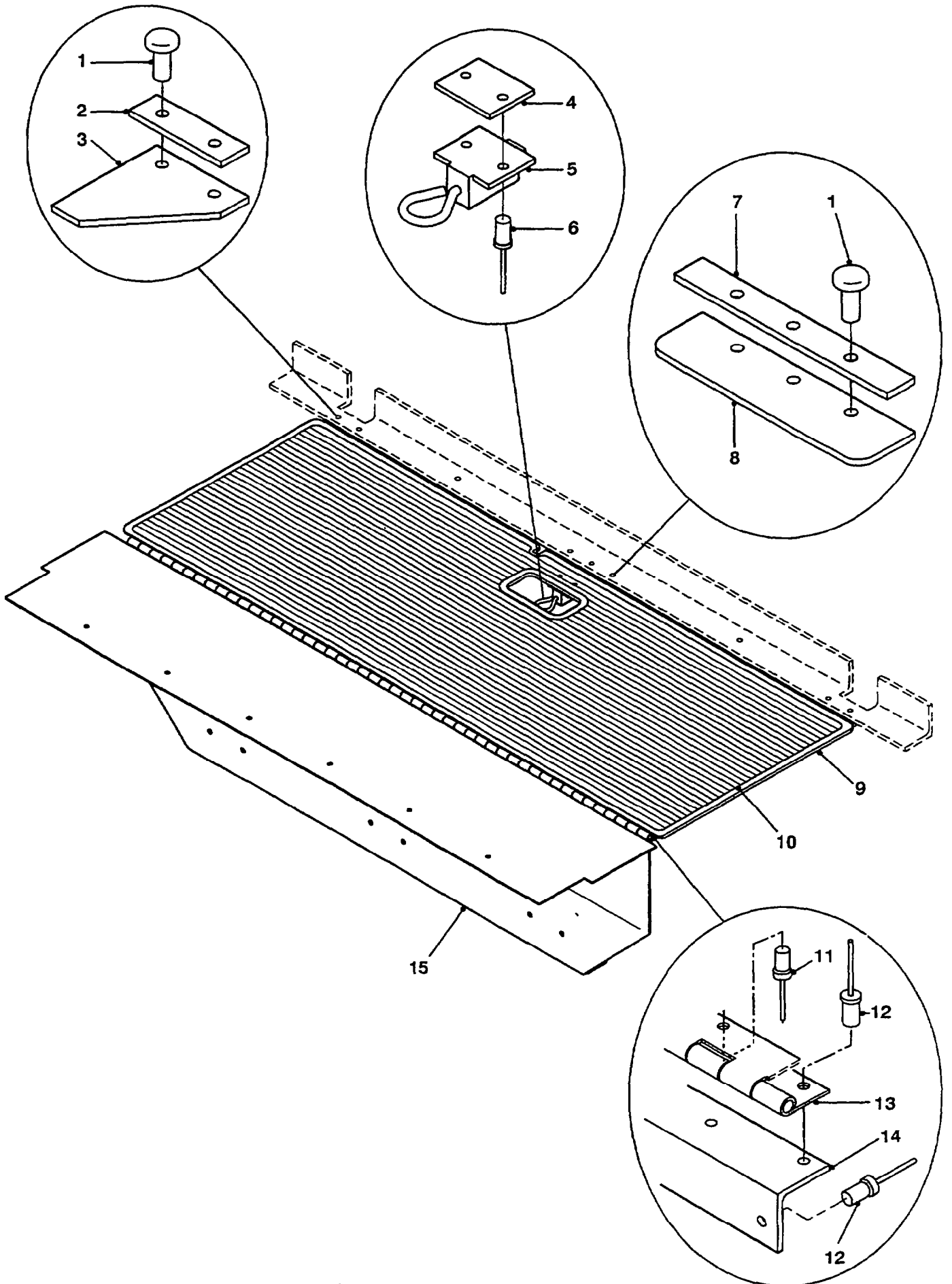
REPAIR PARTS SCALE: 02226

PAGE NO: 67

\* GRADE OF REPAIR (LIGHT, MEDIUM OR HEAVY)

# GROUP WEE

# 02226



## FLOOR ACCESS DOOR

## UNCONTROLLED WHEN PRINTED

GROUP WEE  
TITLE FLOOR ACCESS DOOR

ITEM NO	DESIGNATION	NSN MANUFACTURER CODE/PART NO SUPPLIER CODE/PART NO	NO OFF	U O	E X	L* M* H*
001	MONOBOLT, 1/4 INCH BY 0.76 INCH LG.	Z1742/2771-0824 Z5394/HYM942	7			
002	SPACER, BRACKET, LOWER DOOR, 4 MM ALUMINIUM, 5083 H321, 21 MM BY 70 MM LG.	Z3522/008-604-2 Z5394/GYD604/2	2			
003	BRACKET, LOWER DOOR, 4 MM ALUMINIUM, 80 MM BY 70 MM	Z3522/008-604-1 Z5394/GYD604/1	2			
004	MOUNT, BRACKET, LATCH, 32 MM BY 3 MM, ALUMINIUM, 6060 T5, 40 MM BY 32 MM	Z3522/008-677 Z5394/GYD677	1			
005	LATCH, RIM CRADLE, OIL CAN	5340 66-128-6225 ZL110/2467-001 Z5394/HYM1063	1	EA	X	LMH
006	RIVET, BLIND, COUNTERSUNK, ALUMINIUM, 4.8 MM BY 18 MM LG.	Z1742/1604-08-21 Z5394/RJ612503	2			
007	SPACER, LOWER DOOR BRACKET, 4 MM ALUMINIUM, 5083 H321, 150 MM BY 20 MM	Z3522/008-602-2 Z5394/GYD606/2	1			
008	BRACKET, CENTRE LOWER DOOR, 4 MM ALUMINIUM, 5083 H321, 150 MM BY 40 MM	Z3522/008-606-1 Z5394/GYD606/1	1			
009	PLATE, FLOOR, RAISABLE, 4 MM ALUMINIUM SHEET, 5083 H321, 1010 MM BY 360 MM	Z4681/43-1520 Z5394/FYD1520	1			
010	RUBBER, 3 MM FLUTED SHEET, 50 DURO, 358 MM BY 1010 MM LG. (MANUFACTURED FROM WA 906, USE WA 903 TO WA 905 TO SECURE)	/NIL /NIL	1			
011	RIVET, BLIND, COUNTERSUNK, 4.8 MM BY 13.2 MM LG, ALUMINIUM	Z1742/1604-06-15 Z5394/RJ612433	10			
012	RIVET, 4.8 MM BY 10.9 MM LG.	Z1F95/0115-4706 Z5394/RA612253	21			
013	HINGE CRES, 970MM LG	5340 66-144-8942 Z1F95/0315-1011 Z5394/HYM1043	1	EA	X	LMH

ISSUE NO: 1

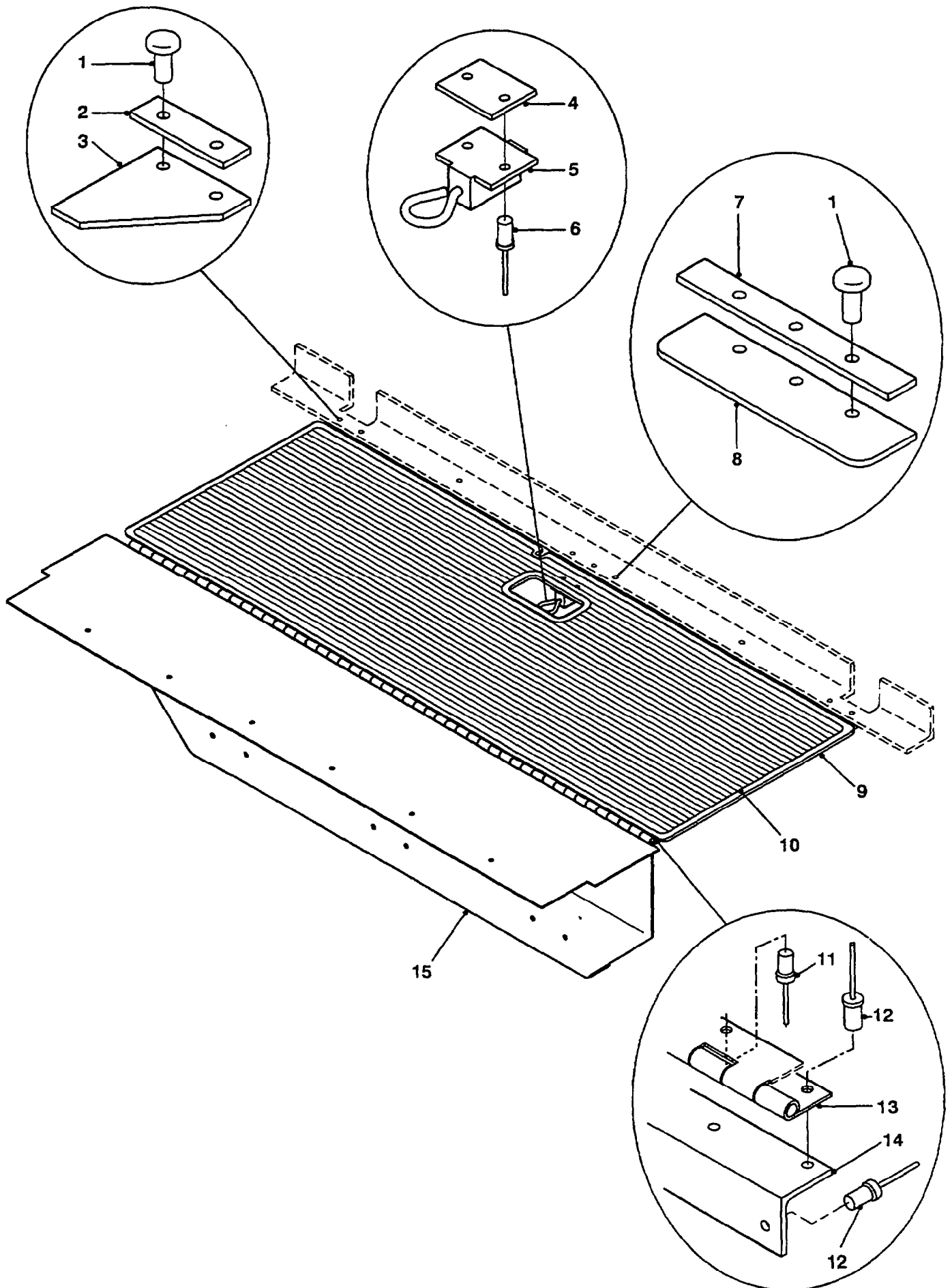
REPAIR PARTS SCALE: 02226

PAGE NO: 68

\* GRADE OF REPAIR (LIGHT, MEDIUM OR HEAVY)

# GROUP WEE

# 02226



## FLOOR ACCESS DOOR

UNCONTROLLED WHEN PRINTED

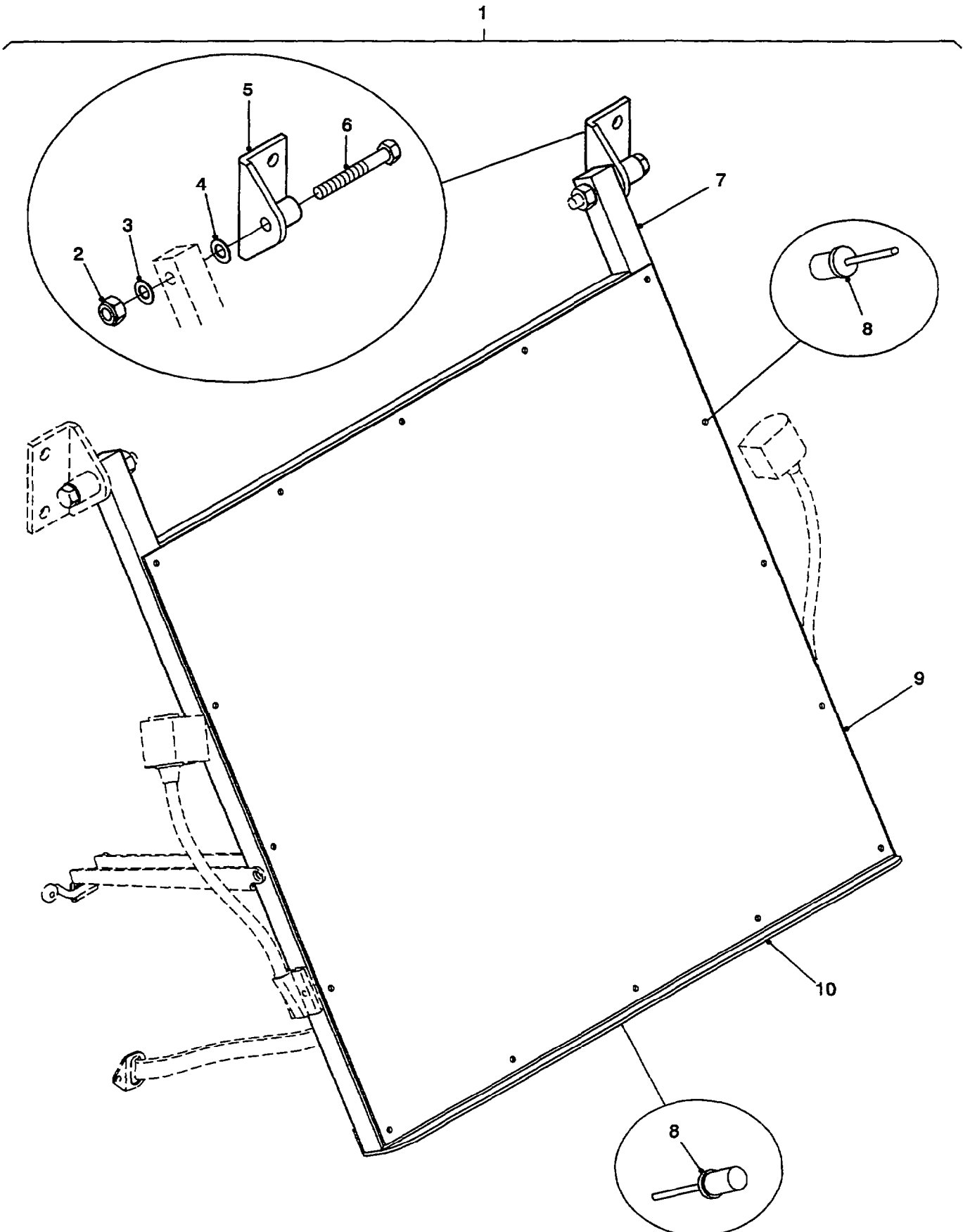
GROUP WEE  
 TITLE FLOOR ACCESS DOOR

ITEM NO	DESIGNATION	NSN MANUFACTURER CODE/PART NO SUPPLIER CODE/PART NO	NO OFF	U O I P	E X P H	L* M* H*
014	STRAP, ASSEMBLY WORK TABLE	5340 66-144-8943 Z3522/008-676 Z5394/GYD676	1	EA	X	LMH
015	DIVIDER, UNDER PARTITION, 2 MM ALUMINIUM, 5251 H38, 288 MM BY 986 MM LG.	Z4681/43-1524 Z5394/FYD1524	1			

\* GRADE OF REPAIR (LIGHT, MEDIUM OR HEAVY)

# GROUP WEF SHEET 1

# 02226



## WORK TABLE, LIGHT AND MOUNTING BRACKETS

## UNCONTROLLED WHEN PRINTED

GROUP WEF/1

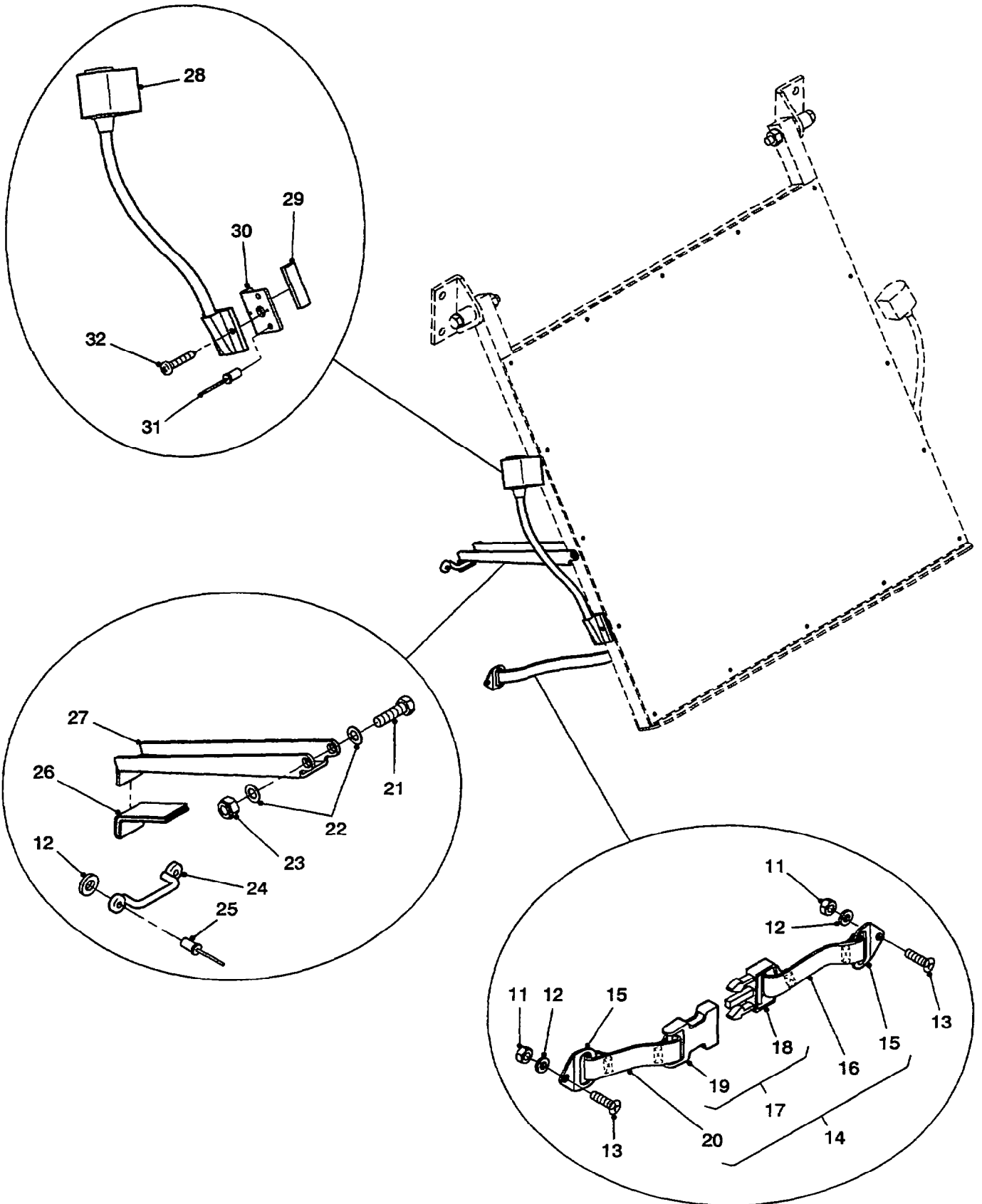
TITLE WORK TABLE, LIGHT AND MOUNTING BRACKETS

ITEM NO	DESIGNATION	NSN MANUFACTURER CODE/PART NO SUPPLIER CODE/PART NO	NO OFF	U O	E X	L* M*
				I	P	H*
001	WORK TABLE ASSEMBLY, 606 MM BY 637 MM BY 12.5 MM (INCLUDES WEF 002 TO WEF 010)	Z3522/008-595 Z5394/GYD595	2			
002	NUT, NYLOC, M10 (ALSO PART OF WEF 001)	Z3522/008562-BE10000M Z5394/NY110001	2			
003	WASHER, FLAT, M10. (ALSO PART OF WEF 001)	Z3522/008561-BA100000 Z5394/WA110001	2			
004	WASHER, FLAT, NYLON, M10 (ALSO PART OF WEF 001)	Z3522/008561-FA100000 Z5394/HYM1057	2			
005	BRACKET, ANGLE, ALUMINIUM ALLOY 50 MM BY 50 MM BY 6 MM BY 90 MM LG. (ALSO PART OF WEF 001)	Z3522/008-595-2 Z5394/GYD595/2	2			
006	BOLT, HEX HD, M10 BY 75 MM LG. (ALSO PART OF WEF 001)	Z3522/008558-B010075M Z5394/BH110151	2			
007	WORK TABLE, 606 MM BY 637 MM BY 12.5 MM (ALSO PART OF WEF 001)	Z3522/008-595-11 Z5394/GYD595/11	1			
008	RIVET, BLIND, ALUMINIUM, 4.8 MM BY 10.9 MM LG. (ALSO PART OF WEF 001)	Z1F95/0115-4075 Z5394/RA612253	18			
009	PLATE, COVER, ALUMINIUM ALLOY 3 SHS, 544 MM BY 600 MM (ALSO PART OF WEF 001)	Z3522/008-595-6 Z5394/GYF595/6	1			
010	ANGLE, ALUMINIUM ALLOY 50 MM BY 25 MM BY 3 MM BY 606 MM LG. (ALSO PART OF WEF 001)	Z3522/008-595-5 Z5394/GYD595/5	1			
ISSUE NO: 1 REPAIR PARTS SCALE: 02226			PAGE NO: 70			

\* GRADE OF REPAIR (LIGHT, MEDIUM OR HEAVY)

# GROUP WEF SHEET 2

02226



## WORK TABLE, LIGHT AND MOUNTING BRACKETS

## UNCONTROLLED WHEN PRINTED

GROUP WEF/2

TITLE WORK TABLE, LIGHT AND MOUNTING BRACKETS

ITEM NO	DESIGNATION	NSN MANUFACTURER CODE/PART NO SUPPLIER CODE/PART NO	NO OFF	U	E	L*
				O	X	M*
				I	F	H*
011	NUT, NYLOC, M6	Z3522/008562-BE06000M Z5394/NY106001	4			
012	WASHER, FLAT, M6	Z3522/008561-BA060000 Z5394/WA106001	4			
013	SCREW, MUSHROOM HD, M6 BY 10 MM LG.	Z3522/008560-BL06010L Z5394/MYH3759	4			
014	STRAP, ASSEMBLY WORK TABLE (INCLUDES WEF 015 TO WEF 017 AND WEF 020)	5340 66-144-8943 Z3522/008-613 Z5394/GYD613	2EA	X		LMH
015	BUCKLE, RETAINING END (USE WEF 014)	/NIL /NIL	2			
016	STRAP, WEBBING, 620 MM LG. (MANUFACTURE FROM WEF 903)	/NIL /NIL	1			
017	CLIP, SIDE RELEASE, OLIVE DRAB (INCLUDES WEF 018 AND WEF 019, ALSO PART OF WEF 014)	Z4495/380-0816 Z5394/HYM949	1			
018	CLIP, MALE (USE WEF 017)	/NIL /NIL	1			
019	CLIP, FEMALE (USE WEF 017)	/NIL /NIL	1			
020	STRAP, WEBBING, 500 MM LG. (MANUFACTURE FROM WEF 903)	/NIL /NIL	1			
021	BOLT, HEX HD, M8 BY 45 MM LG.	Z3522/008558-B008045M Z5394/BH108091	4			
022	WASHER, FLAT, M8	Z3522/008561-BA080000 Z5394/WA108001	18			
023	NUT, NYLOC, M8	Z3522/008562-BE08000M Z5394/NY108001	4			

ISSUE NO: 1

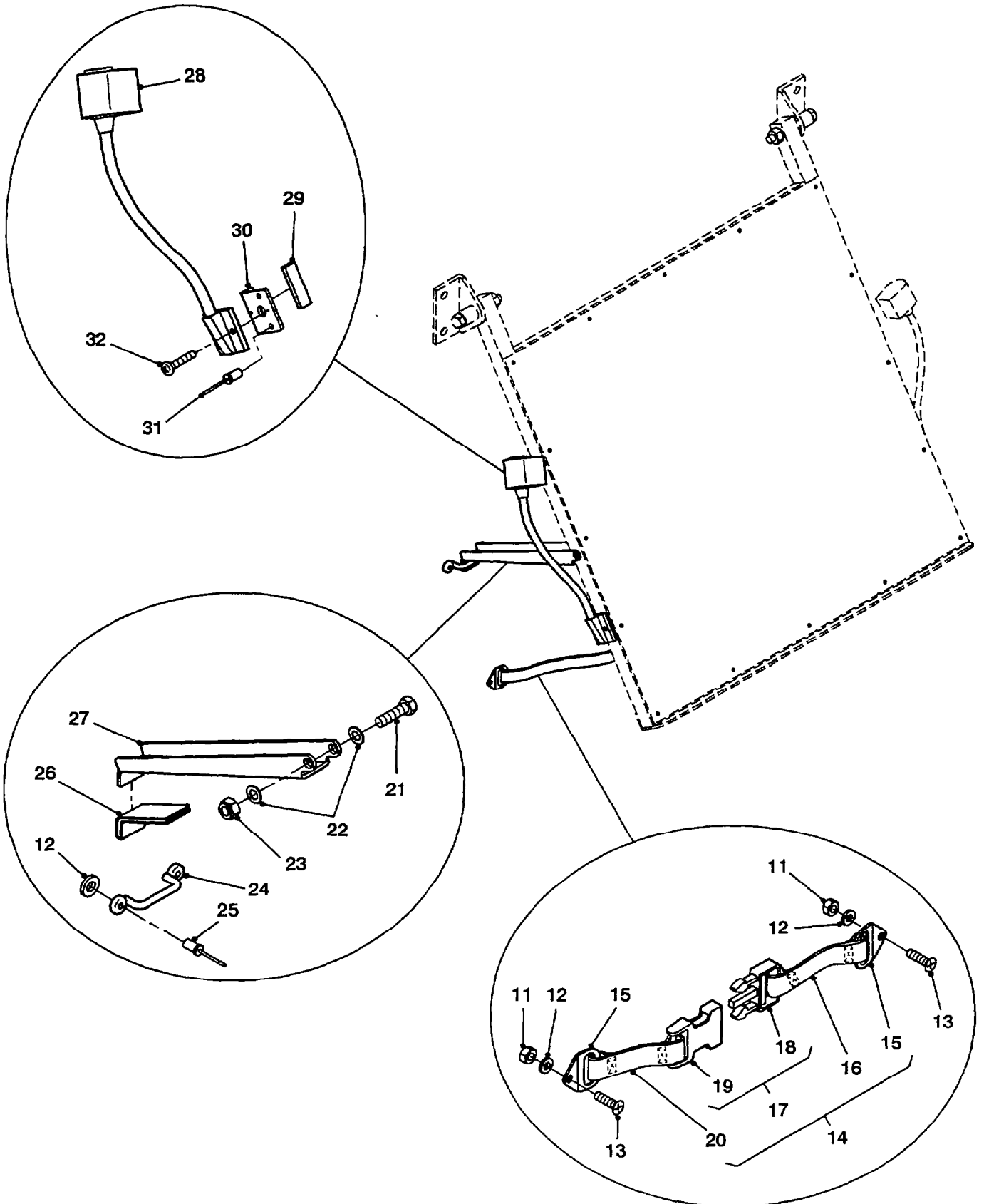
REPAIR PARTS SCALE: 02226

PAGE NO: 71

\* GRADE OF REPAIR (LIGHT, MEDIUM OR HEAVY)

# GROUP WEF SHEET 2

# 02226



## WORK TABLE, LIGHT AND MOUNTING BRACKETS

## UNCONTROLLED WHEN PRINTED

GROUP WEF/2

TITLE WORK TABLE, LIGHT AND MOUNTING BRACKETS

ITEM NO	DESIGNATION	NSN MANUFACTURER CODE/PART NO SUPPLIER CODE/PART NO	NO OFF	U O	E X	L* M* H*
024	BREECHING STAPLE	ZL110/9905 Z5394/HYM1002	4			
025	RIVET, BLIND, ALUMINIUM, 4.8 MM BY 11.4 MM LG.	Z1F95/0116-5902 Z5394/RA612313	8			
026	RUBBER, BLACK, 1.5 MM THK, 25 MM BY 145 MM LG. (USE WEF 908)	/NIL /NIL	1			
027	STAY, ALUMINIUM CHANNEL, 5080 T5, 32 MM BY 25 MM BY 3 MM BY 247 MM LG.	Z3522/008-607 Z5394/GYD607	2			
028	LIGHT, 12V. (REFER QJD 011)	Z0645/2633 Z5394/AYG9759	4			
901	LENS, LIGHT BLUE (USED ON WEF 028)	6220 66-144-8944 Z5394/BYG9092 Z5394/BYG9092	2	EA	X	LMH
902	LAMP, INCANDESANT, 12V, 5 W. (REFER GROUP QJD 013)	/NIL /NIL	1			
029	EDGING, BLACK, RUBBER (MANUFACTURED OF WEF 903, USE WA 903 TO WA 905 TO SECURE)	/NIL /NIL	1			
903	EDGING, BLACK, RUBBER (USE AS REQUIRED)	ZL110/R32 Z5394/HYM1062	1			
904	WEBBING, DRAB OLIVE, 25 MM WIDE, 40 MR ROLL (ALSO PART OF WEF 014, USE AS REQUIRED)	Z3460/B2503-566 /NIL	1			
905	RUBBER, BLACK, 1.5 MM THK, BY 1200 MM W. (USE AS REQUIRED)	/NIL /NIL	1			
030	PLATE, TABLE, ALUMINIUM, 5005 H34, 40 MM BY 40 MM BY 3 MM	Z3522/008-683 Z5394/GYD683	4			
031	RIVET, BLIND, ALUMINIUM, 4.8 MM BY 13.2 MM LG.	Z1F95/1604-0615 Z5394/RA612373	8			

ISSUE NO: 1

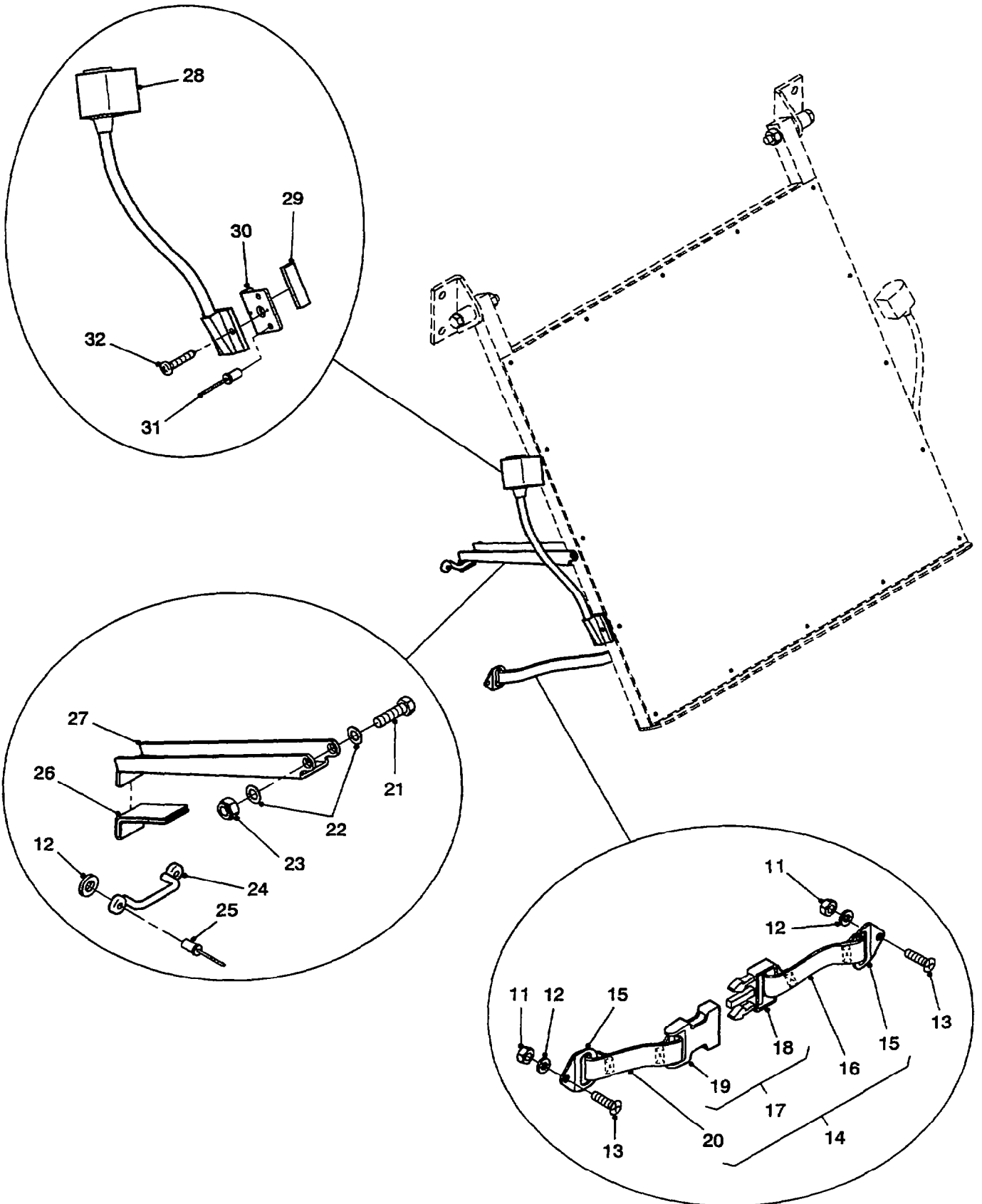
REPAIR PARTS SCALE: 02226

PAGE NO: 72

\* GRADE OF REPAIR (LIGHT, MEDIUM OR HEAVY)

# GROUP WEF SHEET 2

02226



## WORK TABLE, LIGHT AND MOUNTING BRACKETS

GROUP WEF/2

TITLE WORK TABLE, LIGHT AND MOUNTING BRACKETS

ITEM NO	DESIGNATION	NSN MANUFACTURER CODE/PART NO SUPPLIER CODE/PART NO	NO OFF	U O	E X	L* M* H*
032	SCREW, SELF TAPPING, COUNTERSUNK HD, 5 MM BY 30 MM LG. (ALSO PART OF WEF 027)	Z3522/008744-BA08013F Z5394/AC105301	8			

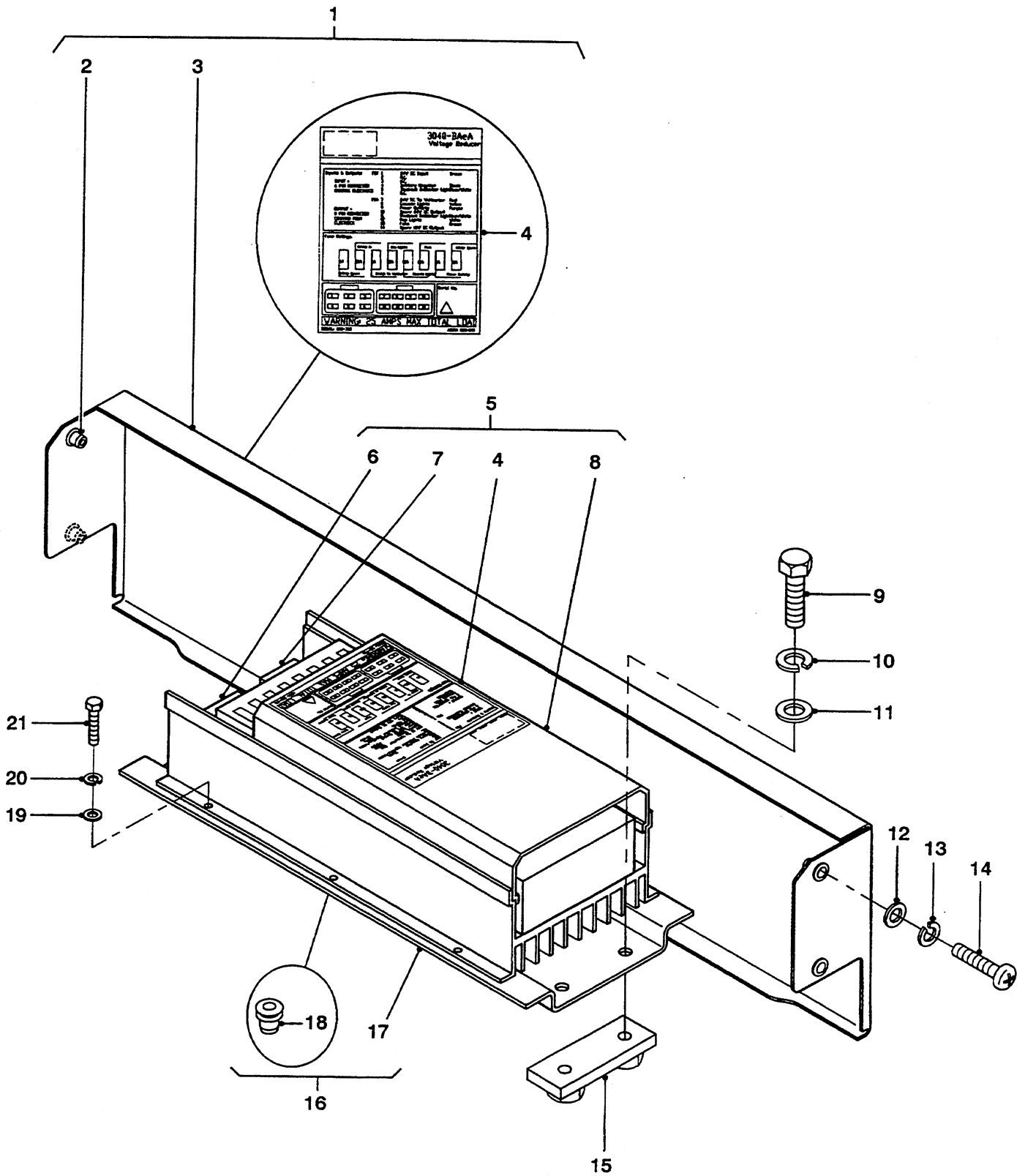
ISSUE NO: 1

REPAIR PARTS SCALE: 02226

PAGE NO: 73

\* GRADE OF REPAIR (LIGHT, MEDIUM OR HEAVY)

**GROUP WEG** **02226**



**VOLTAGE REDUCER AND MOUNTING BRACKETS**

## UNCONTROLLED WHEN PRINTED

GROUP WEG  
TITLE VOLTAGE REDUCER AND MOUNTING BRACKETS

ITEM NO	DESIGNATION	NSN MANUFACTURER CODE/PART NO SUPPLIER CODE/PART NO	NO OFF	U O	E X	L* M* H*
001	COVER, REDUCER, VOLTAGE (INCLUDES WEG 002 TO WEG 004)	Z3522/008-612 Z5394/GYD612	1			
002	RIVNUT, M6 (ALSO PART OF WEG 001)	Z1L17/5125-0630 Z5394/MM106301	4			
003	COVER, ALUMINIUM SHEET, 5251-H34, 3 MM BY 177 MM BY 727 MM LG. (ALSO PART OF WEG 001)	Z3522/008-612-1 Z5394/GYD612/1	1			
004	DECAL, VOLTAGE REDUCER, BLACK ON WHITE BACKGROUND, 110 MM BY 140 MM, ADHESIVE (REFER SGD 021)	Z3522/008-708 Z5394/GYD708	2			
005	POWER SUPPLY REDUCER, VOLTAGE, 24 VOLT OUTPUT, 12 VOLT INPUT, 24 AMPS MAX LOAD (INCLUDES WEG 004 AND WEG 006 TO WEG 008)	6130 66-144-8909 Z3522/008-691 Z5394/GYD691	1	EA	X	LMH
006	RECEPTACLE, 8 WAY (ALSO PART OF WEG 005)	Z0220/H3327-8 Z5394/HYM920	1			
007	RECEPTACLE, 6 WAY (ALSO PART OF WEG 005)	Z0220/H3325-6 Z5394/HYM921	1			
901	TERMINAL, FEMALE, BLADE (ALSO PART OF WEG 005)	Z0220/H3555 Z5394/HYM922	10			
008	REDUCER, VOLTAGE (ALSO PART OF WEG 005)	/NIL /NIL	1			
009	SCREW, HEX HD, M8 BY 30 MM LG.	Z3522/008559-B008030M Z5394/SH108301	4			
010	WASHER, SPRING, SINGLE COIL, M8	Z3522/008561-AG080000 Z5394/WL108001	4			
011	WASHER, FLAT, M8	Z3522/008561-BA080000 Z5394/WA108054	4			
012	WASHER, FLAT, M6	Z3522/008561-BA060000 Z5394/WA106054	4			

ISSUE NO: 1

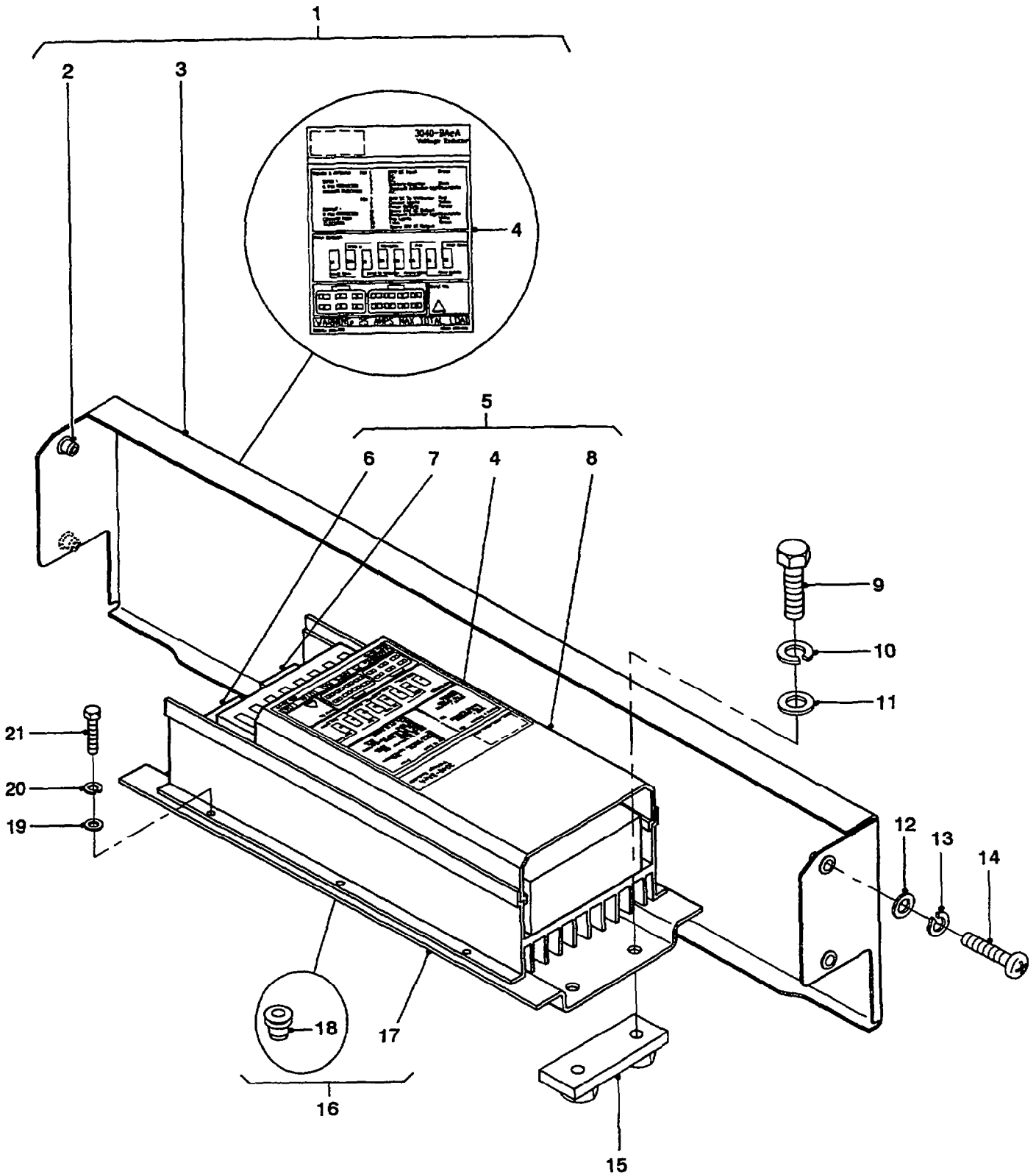
REPAIR PARTS SCALE: 02226

PAGE NO: 74

\* GRADE OF REPAIR (LIGHT, MEDIUM OR HEAVY)

# GROUP WEG

02226



## VOLTAGE REDUCER AND MOUNTING BRACKETS

## UNCONTROLLED WHEN PRINTED

GROUP WEG  
 TITLE VOLTAGE REDUCER AND MOUNTING BRACKETS

ITEM NO	DESIGNATION	NSN MANUFACTURER CODE/PART NO SUPPLIER CODE/PART NO	NO OFF	U O	E X	L* M* H*
013	WASHER, SPRING, SINGLE COIL, M6	Z3522/008561-BG060000 Z5394/WL108054	4			
014	SCREW, PAN HD, CROSS RECESS, M6 BY 30 MM LG.	Z3522/008560-BF06030L Z5394/SE106301	4			
015	NUT PLATE, BACKING, 84 MM BY 25 MM BY 3 MM.	Z3522/008-062 Z5394/GYD062	2			
016	BRACKET, VOLTAGE REDUCER, (INCLUDES WEG 017 AND WEG 018)	Z3522/008-685 Z5394/GYD685	1			
017	BRACKET, ALUMINIUM, 5251-H34, 3 MM BY 160 MM BY 390 MM LG. (ALSO PART OF WEG 016)	Z3522/008-685-1 Z3522/008-685-1	1			
018	RIVNUT, M4 (ALSO PART OF WEG 016)	Z1L17/6125-0435-URS Z5394/MM104301	6			
019	WASHER, FLAT, M4	Z3522/008561-BA040000 Z5394/WA104054	6			
020	WASHER, SPRING, SINGLE COIL, M4	Z3522/008561-BG040000 Z5394/WL104054	6			
021	SCREW, HEX HD, M4 BY 20 MM LG.	Z3522/008559-B004020M Z5394/SH104201	6			

ISSUE NO: 1

REPAIR PARTS SCALE: 02226

PAGE NO: 75

\* GRADE OF REPAIR (LIGHT, MEDIUM OR HEAVY)



## UNCONTROLLED WHEN PRINTED

GROUP WEH  
TITLE PARTITION AND MOUNTING BRACKETS

ITEM NO	DESIGNATION	NSN MANUFACTURER CODE/PART NO SUPPLIER CODE/PART NO	NO OFF	U O I	E X P	L* M* H*
001	BRACKET, CANVAS TO COVER PLATE, 2 MM ALUMINIUM 5251 H34, 50 MM BY 70 MM	Z3522/008-594 Z5394/GYD594	1			
002	PLATE, WALL TO ROOF BOW, EXTERNAL, 4 MM ALUMINIUM SHEET, 5083 H321, 70 MM BY 870 MM LG.	Z4681/43-1507-3 Z5394/FYD1507/3	2			
003	CLAMP, PLANK, BLACK, PLASTIC	Z4681/43-1507-7 Z5394/FYD1507/7	10			
004	PLATE, WALL TO ROOF BOW, CENTRE, 4 MM ALUMINIUM SHEET 5083 H321, 70 MM BY 96 MM	Z4681/43-1507-4 Z5394/FYD1507/4	1			
005	BOLT, TEE, M8 BY 25 MM LG.	Z3522/008-698 Z5394/GYD698	4			
006	ANGLE, RETAINING , TOP PARTITION PANEL, MILD STEEL, GRADE 250, 25 MM BY 5 MM BY 97 MM	Z4681/43-1507-8 Z5394/FYD507/8	2			
007	SCREW, HEX HD, M8 BY 25 MM LG.	Z3522/008559-B008025M Z5394/SH108251	4			
008	WASHER, FLAT, M8	Z3522/008561-BA080000 Z5394/WA108001	12			
009	NUT, NYLOC, M8	Z3522/008562-BE08000M Z5394/NY108001	8			
010	RETAINER, VERTICAL, ALUMINIUM EXTRUSION N9123, 1495 MM LG.	Z4681/43-1506-4 Z5394/FYD506/4	2			
011	PLATE, PARTITION WALL TO CANT RAIL COVER, 4 MM ALUMINIUM SHEET 5083 H321, 122 MM BY 127 MM	Z4681/43-1507-5 Z5394/FYD1507/5	2			
901	SEALER, AUTOSEAL, 300 GM. TUBE (USE AS REQUIRED)	Z0775/PS250 Z5394/PS250	1			
012	END PIECE, VERTICAL, ALUMINIUM CHANNEL 5060 T6, 1495 MM LG.	Z4681/43-1506-3 Z5394/FYD1506/3	2			

ISSUE NO: 1

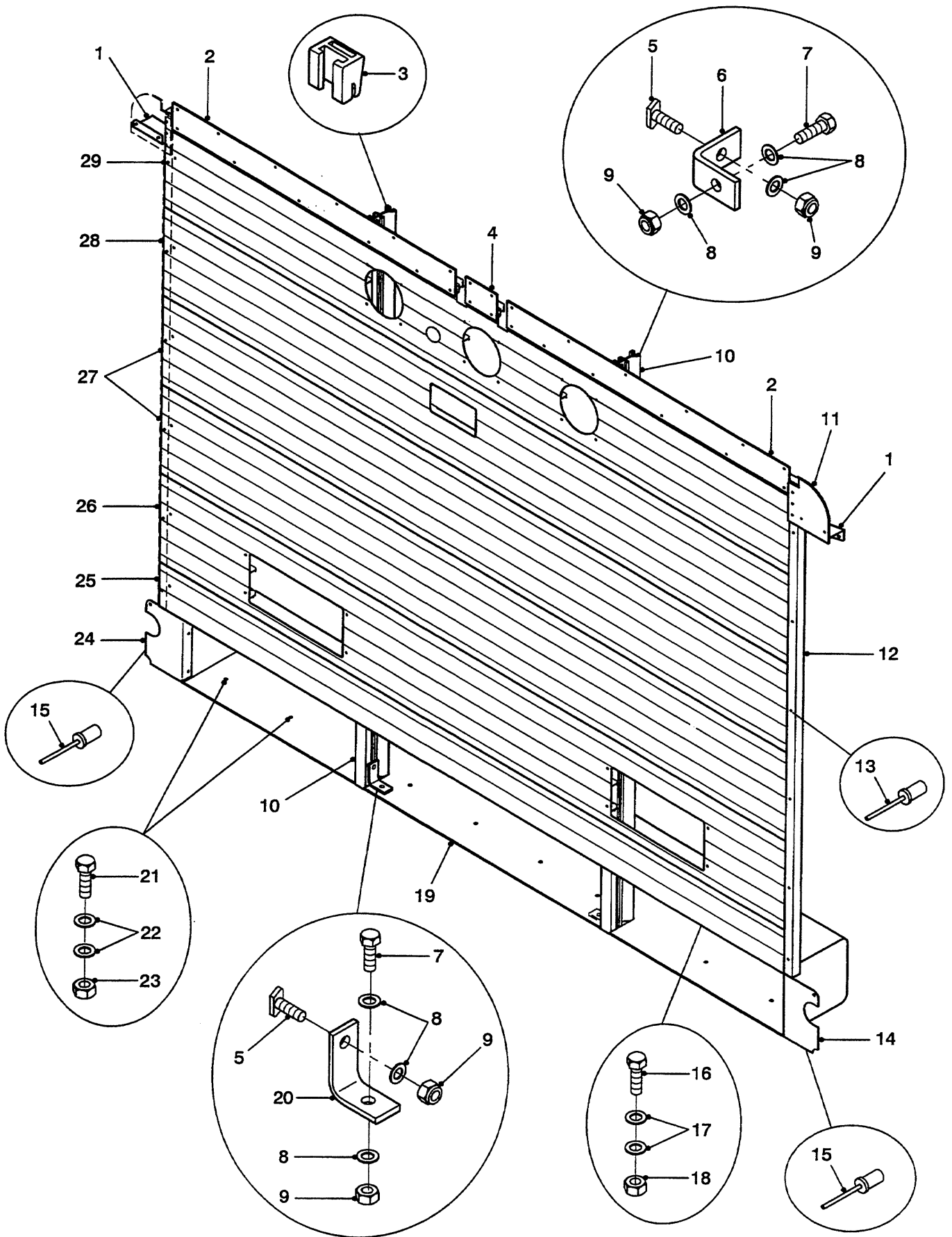
REPAIR PARTS SCALE: 02226

PAGE NO: 76

\* GRADE OF REPAIR (LIGHT, MEDIUM OR HEAVY)

# GROUP WEH

# 02226



## PARTITION AND MOUNTING BRACKETS

## UNCONTROLLED WHEN PRINTED

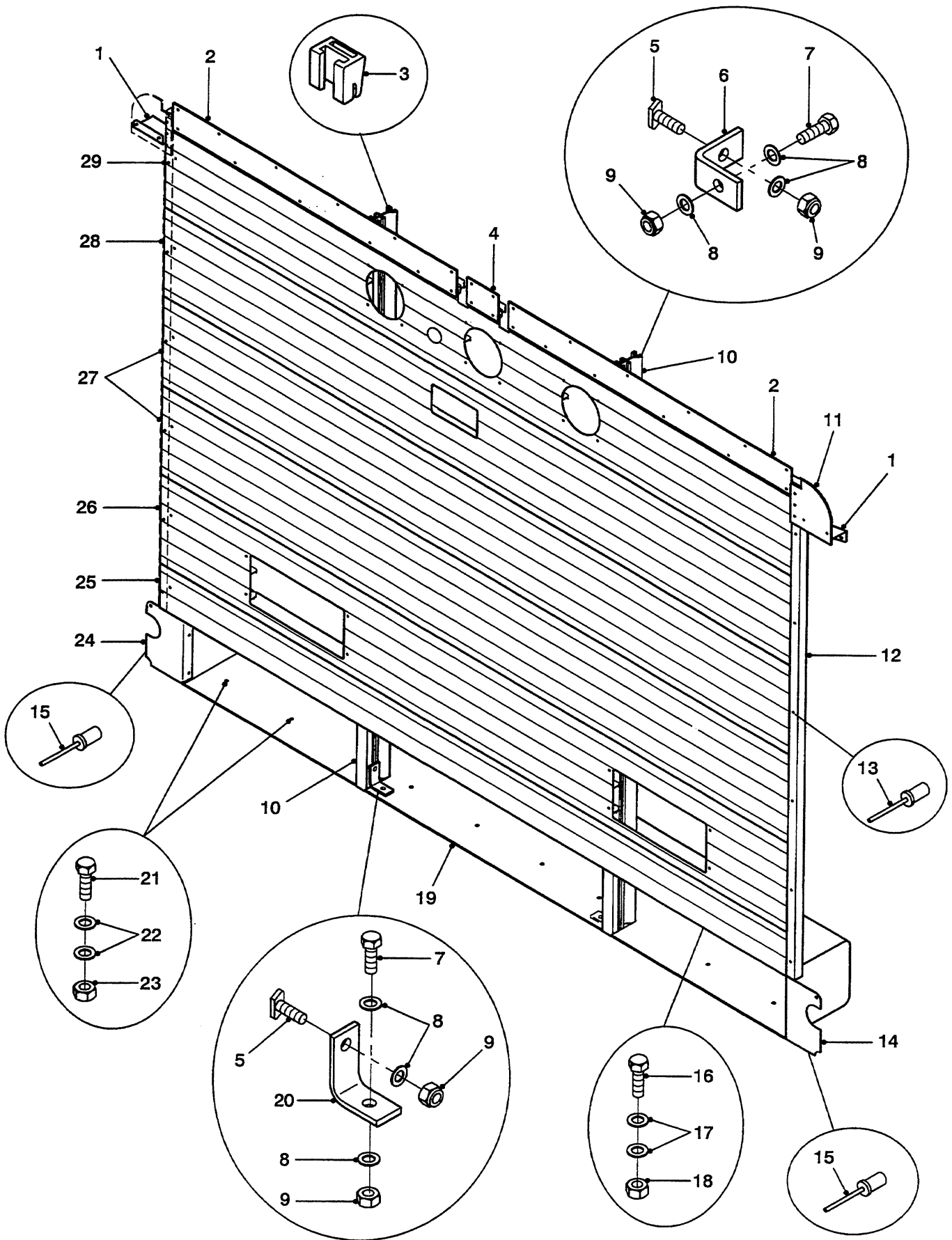
GROUP WEH  
TITLE PARTITION AND MOUNTING BRACKETS

ITEM NO	DESIGNATION	NSN MANUFACTURER CODE/PART NO SUPPLIER CODE/PART NO	NO OFF	U O	E X	L* M* H*
013	RIVET, CHERRY, POP, ALUMINIUM, 4.8 MM BY 10.9 MM	Z1F95/0115 4706 Z5394/RA612253	12			
014	COVER, LOWER, LH, 2 MM ALUMINIUM, 5251 H34, 121 MM BY 165 MM	Z3522/008-597 Z5394/GYD597	1			
015	RIVET, BLIND, 4.8 MM BY 11.4 MM LG.	Z1F95/0116-5902 Z5394/RA612313	4			
016	SCREW, HEX HD, M6 BY 25 MM LG	Z3522/008559-B006020M Z5394/SH106251	8			
017	WASHER, FLAT M6	Z3522/008561-BA060000 Z5394/WA106001	16			
018	NUT, NYLOC, M6	Z3522/008562-BE08000M Z5394/NY106001	8			
019	BOTTOM PRESSING	Z4681/43-1506-1 Z5394/FYD1506/1	1			
020	ANGLE, RETAINING, BOTTOM PANEL, MILD STEEL, GRADE 250, 25 MM BY 5 MM BY 92 MM	Z4681/43-1507-9 Z5394/FYD1507/9	2			
021	SCREW, HEX HD, M10 BY 25 MM LG.	Z3522/008559-B010025M Z5394/SH110251	4			
022	WASHER, FLAT, M10	Z3522/008561-BA100000 Z5394/WA110001	8			
023	NUT, NYLOC, M10	Z3522/008562-BE10000M Z5394/NY110041	4			
024	COVER, LOWER, RH, 2 MM ALUMINIUM, 5251 H34, 121 MM BY 165 MM	Z3522/008-598 Z5394/GYD598	1			
025	PLANK, BOTTOM, ALUMINIUM EXTRUSION 6061 T6-N5870, 1950 MM LG.	Z4681/43-1506-2 Z5394/FYD1506/2	1			
026	PLANK, WALL, WITH 2 HOLES, ALUMINIUM EXTRUSION 6061 T6 - N2435R	Z4681/43-1508-2 Z5394/FYD1508/2	1			

ISSUE NO: 1 REPAIR PARTS SCALE: 02226 PAGE NO: 77

\* GRADE OF REPAIR (LIGHT, MEDIUM OR HEAVY)

**GROUP WEH** **02226**



**PARTITION AND MOUNTING BRACKETS**

UNCONTROLLED WHEN PRINTED

GROUP WEH  
 TITLE PARTITION AND MOUNTING BRACKETS

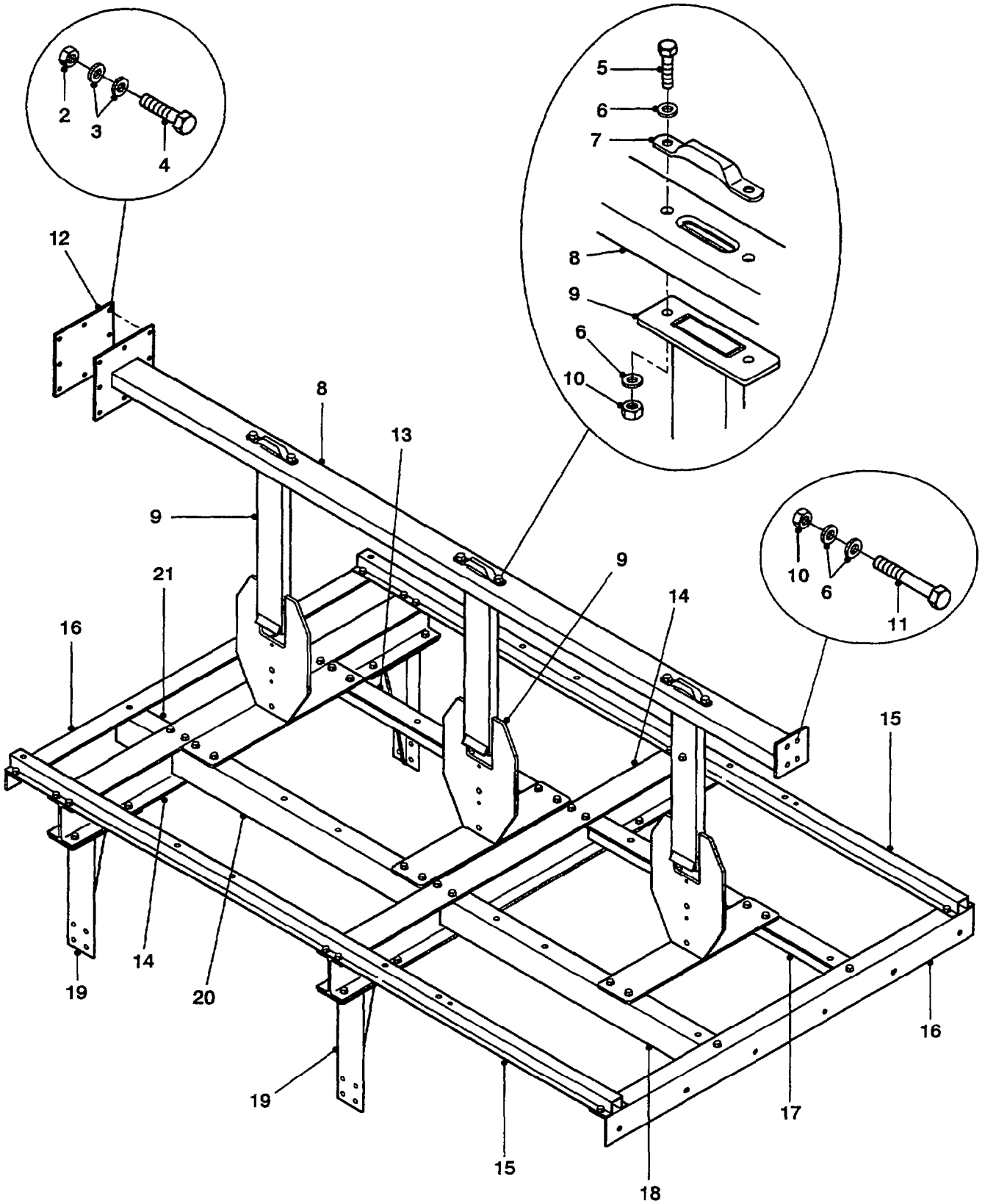
ITEM NO	DESIGNATION	NSN MANUFACTURER CODE/PART NO SUPPLIER CODE/PART NO	NO OFF	U O	E X	L* M* H*
027	PLANK, PLAIN, ALUMINIUM EXTRUSION 6061 T6-N2435R, 1950 MM LG.	Z4681/43-1508-1 Z5394/FYD1508/1	2			
028	PLANK, SLOTTED, ALUMINIUM EXTRUSION 6061 T6-N2435R, 1950 MM LG.	Z4681/43-1508-4 Z5394/FYD1508/4	1			
029	PLANK, TOP, ALUMINIUM EXTRUSION 6061 T6-N2435R, 1950 MM LG.	Z4681/43-1508-3 Z5394/FYD1508/3	1			

\* GRADE OF REPAIR (LIGHT, MEDIUM OR HEAVY)

# GROUP WG SHEET 1

02226

1



## REAR SEAT FRAME ASSEMBLY - CREW

## UNCONTROLLED WHEN PRINTED

GROUP WG/1  
 TITLE REAR SEAT FRAME ASSEMBLY - CREW

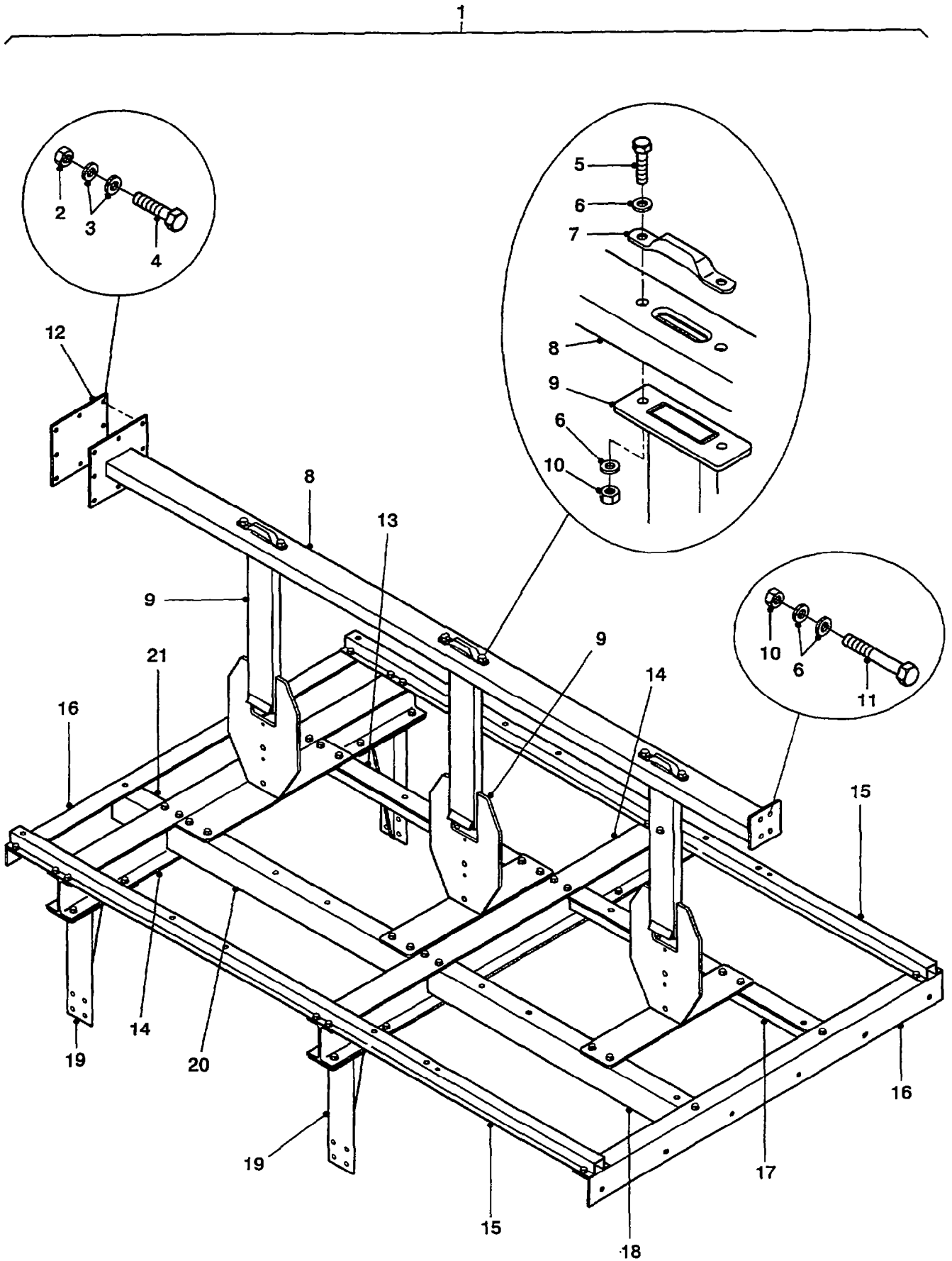
ITEM NO	DESIGNATION	NSN MANUFACTURER CODE/PART NO SUPPLIER CODE/PART NO	NO OFF	U O	E X	L* M* H*
001	SEAT FRAME ASSEMBLY, REAR (INCLUDES WG 002 TO WG 024)	Z4681/43-1535 Z5394/FYD1535	1			
002	NUT, NYLOC, M6 (ALSO PART OF WG 001)	Z3522/008562-BE06000M Z5394/NY106001	8			
003	WASHER, FLAT, M6 (ALSO PART OF WG 001)	Z3522/008561-BA060000 Z5394/WA106001	16			
004	BOLT, HEX HD, M6 BY 45 MM LG. (ALSO PART OF WG 001)	Z3522/008559-B006045M Z5394/BH106091	8			
005	BOLT, HEX HD, M10 BY 30 MM LG, ZINC PLATED, FE/ZN, BLACK (ALSO PART OF WG 001)	Z3522/008558-B010030M Z5394/SH110304	66			
006	WASHER, FLAT, M10, ZINC PLATED, FE/ZN, BLACK (ALSO PART OF WG 001)	Z3522/008561-BA100000 Z5394/WA110064	142			
007	RETAINER, SEAT BELT, ANTI-LUCE, 12.7 BY 1.42 WT TUBE, 149 MM BY 18 MM (ALSO PART OF WG 001)	Z4681/43-0093 Z5394/FYD0093	3			
008	SUPPORT, REAR, HORIZONTAL, SEAT BELT RETAINER, 76.2 MM BY 38.1 MM BY 6.35 MM, ALUMINIUM CHANNEL, 6061 T6, 2038 MM LG. (ALSO PART OF WG 001)	Z4681/43-1525-1 Z5394/FYD1525/1	1			
009	RETAINER, VERTICAL, SEAT BELT (ALSO PART OF WG 001)	Z4681/43-0057 Z5394/FYD0057	3			
010	NUT, SELF LOCKING, HEX, M10, ZINC PLATED, FE/ZN, BLACK (ALSO PART OF WG 001)	Z3522/008562-BE100000 Z5394/NZ110044	70			
011	BOLT, HEX HD, M10 BY 65 MM LG. (ALSO PART OF WG 001)	Z3522/008558-B010065M Z5394/BH110131	4			
012	PLATE, REAR SEAT BELT SUPPORT GUSSET, 6 MM ALUMINIUM PLATE, 5083 H116, 176 MM BY 158 MM (ALSO PART OF WG 001)	Z4681/43-1525-2 Z5394/FYD1525/2	1			

ISSUE NO: 1

REPAIR PARTS SCALE: 02226

PAGE NO: 79

\* GRADE OF REPAIR (LIGHT, MEDIUM OR HEAVY)



REAR SEAT FRAME ASSEMBLY - CREW

## UNCONTROLLED WHEN PRINTED

GROUP WG/1  
 TITLE REAR SEAT FRAME ASSEMBLY - CREW

ITEM NO	DESIGNATION	NSN MANUFACTURER CODE/PART NO SUPPLIER CODE/PART NO	NO OFF	U	E	L*
				O	X	M*
				I	P	H*
013	ANGLE, SUPPORT, RH, FRONT, 76.2 MM BY 50.6 MM BY 6.35 MM, ALUMINIUM, L 6061 T6, 794 MM LG. (ALSO PART OF WG 001)	Z4681/43-1019-2R Z5394/FYD1019/2R	1			
014	CROSSMEMBER, REAR SEAT, 101.6 MM BY 76 MM BY 6.35 MM, ALUMINIUM, 'I' BEAM, 6061 T6, 1110 MM LG. (ALSO PART OF WG 001)	Z4681/43-1019-1 Z5394/FYD1019/1	2			
015	SUPPORT, REAR SEAT, OUTER EDGE, ALUMINIUM, 6106 T591, HAT SECTION, 63 MM BY 32 MM BY 1824 MM LG. (ALSO PART OF WG 001)	Z4681/43-1019-5 Z5394/FYD1019/5	2			
016	SUPPORT, TRANSVERSE, SEAT, ANGLE, 76.2 MM BY 50.6 MM BY 6.35 MM, ALUMINIUM, L 6061 T6, 1110 MM LG. (ALSO PART OF WG 001)	Z4681/43-1019-6 Z5394/FYD1019/6	2			
017	SUPPORT, RH, FRONT, ANGLE, 76.2 MM BY 50.6 MM BY 6.35 MM, ALUMINIUM, L 6061 T6, 821 MM LG. (ALSO PART OF WG 001)	Z4681/43-1019-3R Z5394/FYD1019/3R	1			
018	ANGLE, SUPPORT, LH, REAR, 76.2 MM BY 50.6 MM BY 6.35 MM, ALUMINIUM, L 6061 T6, 821 MM LG. (ALSO PART OF WG 001)	Z4681/43-1019-3L Z5394/FYD1019/3L	1			
019	LEG CASTING, SUPPORT, CROSSMEMBER, CAST ALUMINIUM 401 (ALSO PART OF WG 001)	Z4681/43-0067 Z5394/FYD0067	4			
020	ANGLE, SUPPORT, LH, CENTRE, 76.2 MM BY 50.6 MM BY 6.35 MM, ALUMINIUM, L 6061 T6, 794 MM LG. (ALSO PART OF WG 001)	Z4681/43-1019-2L Z5394/FYD1019/2L	1			
021	ANGLE, REAR SEAR SUPPORT 76.2 MM BY 50.6 MM BY 6.35 MM, ALUMINIUM, 'I' BEAM 6061 T6, 146 MM LG. (ALSO PART OF WG 001)	Z4681/43-1019-4 Z5394/FYD10109/4	2			

ISSUE NO: 1

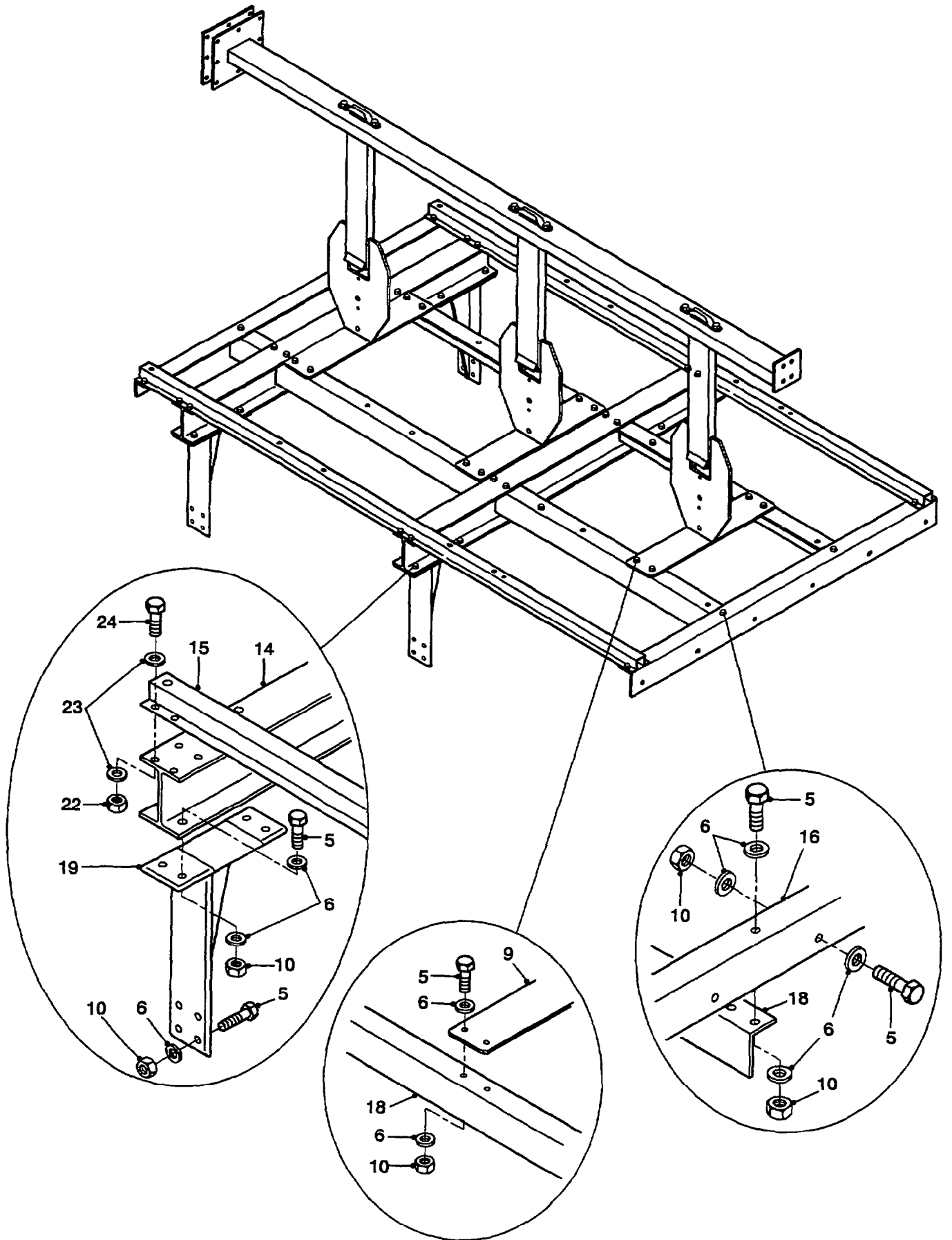
REPAIR PARTS SCALE: 02226

PAGE NO: 80

\* GRADE OF REPAIR (LIGHT, MEDIUM OR HEAVY)

# GROUP WG SHEET 2

02226



## REAR SEAT FRAME ASSEMBLY - CREW

UNCONTROLLED WHEN PRINTED

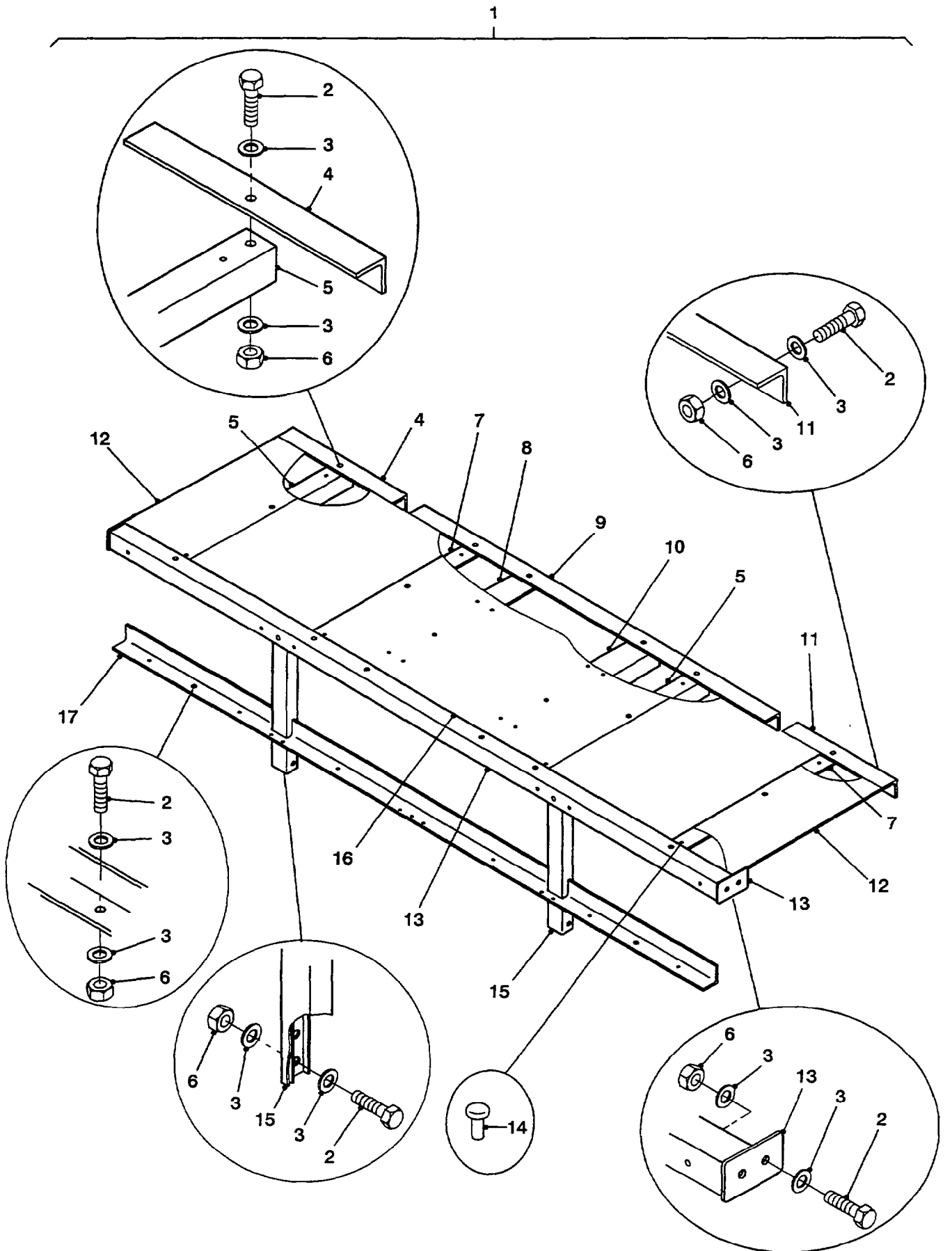
GROUP WG/2  
 TITLE REAR SEAT FRAME ASSEMBLY - CREW

ITEM NO	DESIGNATION	NSN MANUFACTURER CODE/PART NO SUPPLIER CODE/PART NO	NO OFF	U O	E X	L* M*
				I	P	H*
022	NUT, NYLOC, M8 (ALSO PART OF WG 001)	Z3522/008562-BE08000M Z5394/NY108001	24			
023	WASHER, FLAT, M8 (ALSO PART OF WG 001)	Z3522/008561-BA080000 Z5394/WA108001	48			
024	BOLT, HEX HD, M8 BY 25 MM LG. (ALSO PART OF WG 001)	Z3522/008558-B008025M Z5394/BH108051	24			

\* GRADE OF REPAIR (LIGHT, MEDIUM OR HEAVY)

**GROUP WGA**

**02226**



**REAR SEAT FRAME ASSEMBLY  
- COMMAND POST**

## UNCONTROLLED WHEN PRINTED

GROUP WGA  
 TITLE REAR SEAT FRAME ASSEMBLY - COMMAND POST

ITEM NO	DESIGNATION	NSN MANUFACTURER CODE/PART NO SUPPLIER CODE/PART NO	NO OFF	U O	E X	L* M* H*
001	SEAT FRAME ASSEMBLY, FRONT, COMMAND POST (INCLUDES WGA 002 TO WGA 017)	Z4681/43-1528 Z5394/FYD1528	1			
002	BOLT, HEX HD, M10 BY 30 MM LG. (ALSO PART OF WGA 001)	Z3522/008558-B010030M Z5394/BH110061	29			
003	WASHER, FLAT, M10 (ALSO PART OF WGA 001)	Z3522/008561-BA100000 Z5394/WA110001	58			
004	ANGLE, SEAT, TRANSVERSE, FRONT WALL NEARSIDE, ALUMINIUM, 6061 T6, 50.8 MM BY 50.8 MM BY 6.35 MM, 340 MM LG, 6061 T6 (ALSO PART OF WGA 001)	Z4681/43-1527-5 Z5394/FYD1527/5	1			
005	ANGLE, SEAT, LONGITUDINAL, RH, ALUMINIUM, 6061 T6, 50.8 MM BY 50.8 MM BY 6.35 MM, 587 MM LG. (ALSO PART OF WGA 001)	Z4681/43-1527-2R Z5394/FYD1527/2R	2			
006	NUT, NYLOC, M10 (ALSO PART OF WGA 001)	Z3522/008562-BE10000M Z5394/NY110001	29			
007	ANGLE, SEAT, LONGITUDINAL, LH, ALUMINIUM, 6061 T6, 50.8 MM BY 50.8 MM BY 6.35 MM, 587 MM LG. (ALSO PART OF WGA 001)	Z4681/43-1527-2L Z5394/FYD1527/2L	2			
008	ANGLE, SUPPORT, CP RADIO, LH, ALUMINIUM, 6061 T6, 76.2 MM BY 50.8 MM BY 6.35 MM, 587 MM LG. (ALSO PART OF WGA 001)	Z3522/008-689 Z5394/GYD689	1			
009	ANGLE, SEAT, TRANSVERSE, FRONT WALL, MIDDLE, ALUMINIUM, 6061 T6, 50.8 MM BY 50.8 MM BY 6.35 MM, 1214 MM LG. (ALSO PART OF WGA 001)	Z4681/43-1527-4 Z5394/FYD1527/4	1			
010	ANGLE, SUPPORT, CP RADIO, RH, ALUMINIUM, 6061 T6, 76.2 MM BY 50.8 MM BY 6.35 MM, 587 MM LG. (ALSO PART OF WGA 001)	Z3522/008-690 Z5394/GYD690	1			

ISSUE NO: 1

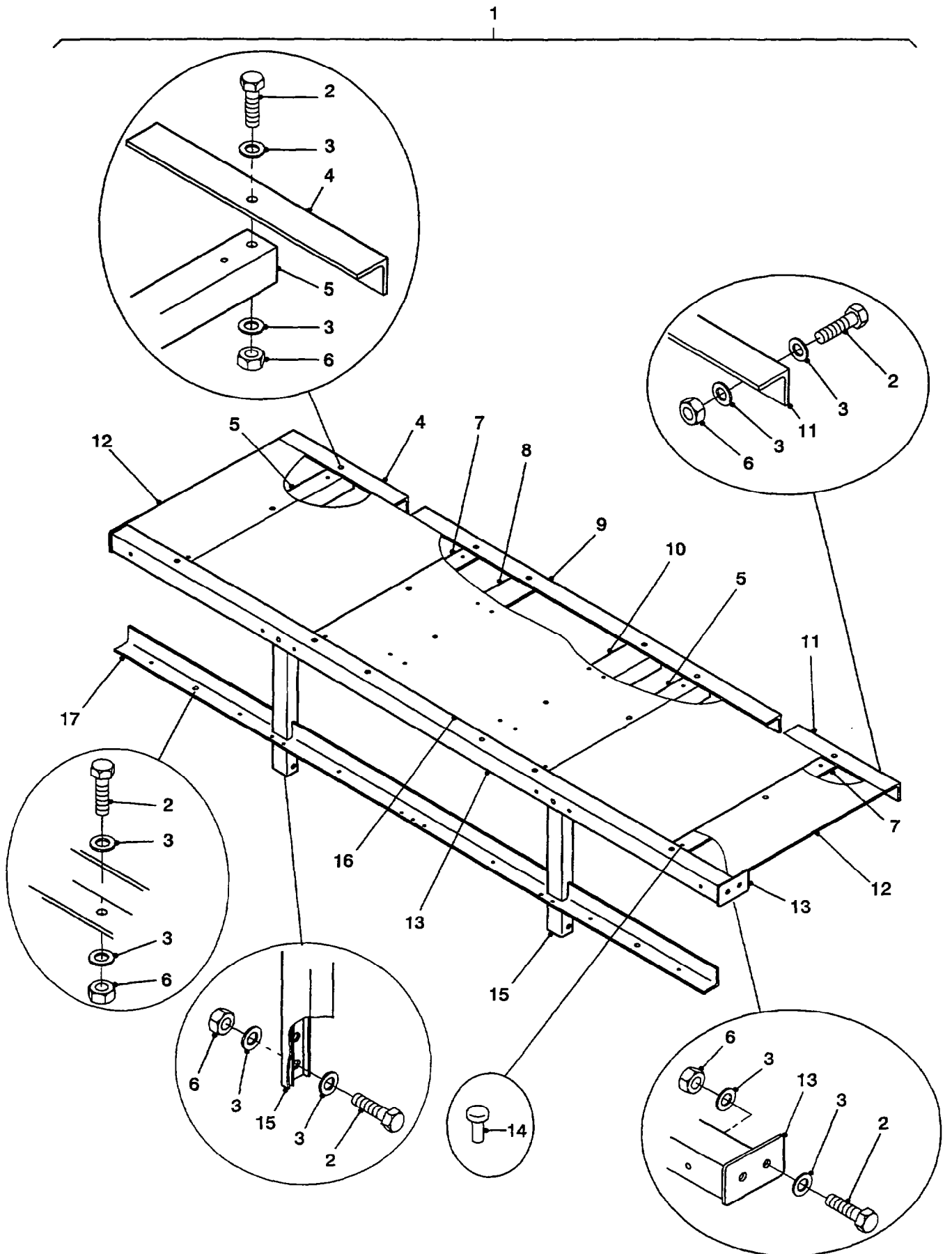
REPAIR PARTS SCALE: 02226

PAGE NO: 82

\* GRADE OF REPAIR (LIGHT, MEDIUM OR HEAVY)

# GROUP WGA

# 02226



## REAR SEAT FRAME ASSEMBLY - COMMAND POST

## UNCONTROLLED WHEN PRINTED

GROUP WGA  
 TITLE REAR SEAT FRAME ASSEMBLY - COMMAND POST

ITEM NO	DESIGNATION	NSN MANUFACTURER CODE/PART NO SUPPLIER CODE/PART NO	NO OFF	U O	E X	L* M* H*
011	ANGLE, SEAT, TRANSVERSE, FRONT WALL OFFSIDE, ALUMINIUM, 6061 T6, 50.8 MM BY 50.8 MM BY 6.35 MM, 390 MM LG. (ALSO PART OF WGA 001)	Z4681/43-1527-6 Z5394/FYD1527/6	1			
012	COVER PLATE, SEAT, OUTER, 5 MM, ALUMINIUM SHEET, 5083-H321, 499 MM BY 205 MM (ALSO PART OF WGA 001, REFER WED 001)	Z4681/43-1522-1 Z5394/FYD1522/1	2			
013	ANGLE, SEAT, TRANSVERSE, UPPER, ALUMINIUM, 6061 T6, 50.8 MM BY 50.8 MM 6.35 MM, 2061 MM LG. (ALSO PART OF WGA 001)	Z4681/43-1527-1 Z5394/FYD1527/1	1			
014	MONOBOLT, 1/4 INCH (ALSO PART OF WGA 001)	Z5394/HYL8931 Z5394/HYL8931	8			
015	LEG, SUPPORT, VERTICAL, FRONT SEAT, ALUMINIUM 6061 T6, EXTRUSION T9166, 408 MM LG. (ALSO PART OF WGA 001)	Z4681/43-1527-3 Z5394/FYD1527/3	2			
016	PLATE, SEAT, UPPER MIDDLE, 3 MM ALUMINIUM, 5083-H321, 500 MM BY 790 MM LG. (ALSO PART OF WGA 001)	Z4681/43-1521-1 Z5394/FYD1521/1	1			
017	ANGLE, LOWER CP AREA, 50.8 MM BY 50.8 MM BY 2002 MM LG. (ALSO PART OF WGA 001)	Z3522/008-603 Z5394/GYD603	1			
ISSUE NO: 1			REPAIR PARTS SCALE: 02226		PAGE NO: 83	

\* GRADE OF REPAIR (LIGHT, MEDIUM OR HEAVY)

UNCONTROLLED WHEN PRINTED

UNCONTROLLED WHEN PRINTED

UNCONTROLLED WHEN PRINTED