

Registry of Ex Military Land Rovers

Copyright of this document is retained by the original authors. Some parts may have been superseded or changed since that time.

This document has been download from the Registry of Ex Military Land Rovers at <http://www.remlr.com> . All files available from this site are free of charge.

If you have paid for this document please report where you purchased it from to the Registry of Ex Military Land Rovers Inc at webmaster@remlr.com





AUSTRALIAN ARMY

REPAIR PARTS SCALE

02222

2320-66-128-7681

**TRUCK, COMSEC REPAIR,
WORKSHOP VEHICLE
LANDROVER, 110, 6X6, MC2, 2 TONNE,
FITTED W/AUTOMATIC FIELD TELEPHONE**

THIS DOCUMENT IS A **SUPPLEMENT**, AND IS TO BE READ
IN CONJUNCTION WITH RPS **02185**

ISSUE 1

JUN 97

AUTHORISED FOR THE USE WITHIN THE
AUSTRALIAN ARMY BY COMMAND OF THE
CHIEF OF ARMY

J.W. KINGSTON
MAJOR GENERAL
ASSISTANT CHIEF OF ARMY -
MATERIEL

CONTENTS

SUBJECT	PAGE
TITLE PAGE	I
CONTENTS	II
PREFACE	III
REPAIR PARTS SCALES REQUEST	V
SCALES CHANGE REQUEST	VII

CHAPTER 1 – INDEXES

SECTION	TITLE
1	REPAIR PARTS SCALES NIIN INDEX
2	REPAIR PARTS SCALES GROUP INDEX
3	IDENTIFICATION PLATE

CHAPTER 2 – TEXT

1	REPAIR PARTS SCALES – TEXT AND ILLUSTRATIONS
---	--

PREFACE

Purpose of the Repair Parts Scale

1. This Repair Parts Scale (RPS) is an entitlement document prepared by Defence Materiel Organisation (DMO), Technical Data Centre (TDC). It authorises Units, Technical Support Sub-Units and Workshops that have the responsibility, the trade qualified personnel and the facilities, to draw Repair Parts for the repair and maintenance of the equipment detailed within the RPS.

Basis of Scale

2. The RPS is assessed on the premise that a repair part is any essential component or accessory which, through deterioration, breakage, normal wear and tear or loss, is likely to require replacement during the expected life of the equipment, and is an item which could not be economically repaired or fabricated in workshops.

3. The range and breadth of repair parts listed in the RPS is based on the grades of repair authorised for the equipment.

Recommended Stocking Quantities

4. The scale or depth of repair parts (also known as stocking quantities) are not listed in the RPS.

5. A Recommended Stocking Quantities report for units or force scaling for deployments and exercises may be obtained from The **RPS/CES Manager** using the same Web, E-mail, Fax and Mail addresses as listed under General Enquiries.

6. The following information is to be supplied with each Stocking Quantity Report request:

- a. RPS Number(s);
- b. equipment asset NATO Stock Number(s) (NSN) or Entitlement Group Code(s) (EGC);
- c. equipment asset name(s);
- d. number of equipment to be supported;
- e. duration of the support in months;
- f. the grade of repair at which the support is to be provided ie Light (L), Medium (M) and Heavy (H);
- g. type of forecast required if more than one equipment is involved (ie a single forecast per equipment or a consolidated report listing all equipment in one report); and
- h. the date the report is required by.

Access to RPS On-line

7. RPS can be accessed for viewing on-line at <http://vbmweb.sor.defence.gov.au/techdata>
The RPS on this site can be Printed and Saved but when printed or saved they are Uncontrolled Copy.

Additional Copies of RPS or RPS Index

8. Personnel authorised by their unit to request additional copies of RPS or the RPS Index can do so using the same Web, E-mail, Fax and Mail addresses as listed under General Enquiries.

New Issues and Distribution

9. New RPS and new Issues of RPS are distributed automatically to authorised recipients.

10. When a new Issue of an RPS is released it supersedes all previous Issues, copies of which should be destroyed.

Delivery Address for RPS

11. Unless special circumstances exist, RPS or Indexes will not be addressed or sent to individuals they will be delivered to the Unit or Sub Unit address (eg. 7 Sig Regt or 3 RAR Tech Spt). Personnel requesting RPS or Indexes are to ensure they are authorised to submit the request and that the receiving Unit or Sub Unit will complete the internal delivery.

General Enquiries

12. For general enquiries in respect of any RPS contact The RPS/CES Manager via the TDC website address as per Para 7.

by e-mail to:
LEATechnicalData@drnex.defence.gov.au

by Telephone to: (03) 9282 7812

by Facsimile to: (03) 9282 7618 or

or, by Mail to:

RPS/CES Manager
Technical Publications Section
Technical Data Centre
DPM-3
661 Bourke Street
MELBOURNE VIC 3001

Changes to RPS and Scales Change Requests

13. Amendments to RPS will normally be made in the form of new issues.

14. Users may request changes to RPS by submitting Scales Change Requests (SCR) using the same web, E-mail, Fax and Mail addresses as listed under General Enquiries.

15. Hardcopy of SCR proformas are in the front of every RPS. Electronic copies can be submitted through the TDC website address as per Para 7.

16. Scales Change Requests may be raised by:

- a. units, repair elements, logistic units and headquarters who find, through user experience, the scale is inadequate either by range or quantity of repair parts;
- b. units, repair elements, logistic units and headquarters who consider previously non-scaled items could become a recurring requirement; or
- c. personnel who have identified errors or omissions in the text or illustrations.

17. Scales Change Requests will be acknowledged by TDC. If a change is approved, then users will be notified in the form of interim (pen) amendments. The changes will then be incorporated in the next issue of the RPS

18. It is emphasised that units, repair elements and logistic units are free to adjust their holdings as soon as user experience indicates the need. Adjustment action does not require prior approval of a Scales Change Request. The latter is required by TDC so the RPS database may be updated to reflect the latest information. This data may then be used for subsequent stocking quantity reports, reflecting the latest usage data.

How to Use the RPS

19. Refer to the Group Index in the Contents page of the RPS to locate the starting page number of the group required.

20. Refer to the group illustration and identify the item required by its callout number.

21. Refer to the text page, the callout number of the item required is listed in the column titled ITEM NO. Information for each item is listed in the columns titled:

DESIGNATION,
NSN

MANUFACTURER CODE / PART NO

SUPPLIER CODE / PART NO,

NO OFF (per assembly),

UOI (unit of issue),

EXP (stock type), and

L* M* H* (grade of repair details.)

22. The RPS Indexes also allow users to locate the position of parts for which the NSN or NATO Item Identification Number (NIIN) is known. Refer to the NIIN sequence index to locate the group and callout number of the item.

Illustrated Items

23. All illustrated items have an accompanying Item number in column 1 of that group's text page; eg AAB 007 indicates callout number 7 on the illustration for group AAB.

Non-illustrated Items

24. All non-illustrated items within a group are identified by having an Item number of 901 (formerly 9001) or greater; eg AAB 901 indicates the first unillustrated item within group AAB, AAB 902 the second and so on. The non-illustrated item numbering system has been changed to comply with the requirements of the Standard Defence Supply System (SDSS).

Scaled Items

25. Scaled items are indicated as such by having the letters "L", "M" or "H" in the grade of repair column, and a NSN in the NSN column.

26. In some instances, particularly for first issue RPS, items intended to be scaled may not have a NSN listed but will be identified for repair by "L", "M" or "H" in the grade of repair column. As soon as cataloguing action is completed for these items, a new issue of the RPS will be released.

Non-scaled Items

27. Non-scaled items have the grade of repair column blank, do not have an NSN and therefore do not appear in the NIIN index.

28. Requests for non-scaled items are to be carefully examined by units' technical support sub-units, workshops and contract repair elements. Requests for non-scaled items should be directed to the applicable National Fleet Manager.

Manufacturers' and Suppliers' Codes and Part Numbers

29. Prime manufacturers' codes and part numbers, if available, will appear directly below the NSN field. If not available, the field will read "NIL" or be blank. The next higher assembly should be requested for items with "NIL".

30. Suppliers' codes and part numbers, if available, will appear directly below the prime manufacturers' code and part number field. If not available, the field will be a duplicate of the manufacturer's code and part number.

INTENTIONALLY

LEFT

BLANK

PLEASE STAPLE OR TAPE BEFORE MAILING

OHMS

DEPARTMENT OF DEFENCE (ARMY)

If not delivered, return to:

**RPS/CES MANAGER
PUBLICATIONS SECTION
TECHNICAL DATA CENTRE
DPM-3
661 Bourke Street
MELBOURNE VIC 3001**

FOLD HERE

SCALES CHANGE REQUEST

UNIT TITLE AND ADDRESS:		YOUR REFERENCE NO:	
		UNIT CONTACT TELEPHONE NO:	
		STD:	DNATS:
RPS NO:	ISSUE NO:	ISSUE DATE:	

GROUP	ILLUS NO.	DETAILS

RAISED BY:					
NAME (PRINT)	SIGNATURE	RANK	APPOINTMENT	DATE	

<u>TECHNICAL DATA CENTRE, PUBLICATIONS SECTION USE ONLY</u>		
ENTERED DATABASE [____]		
UNIT SERIAL NO [_____]	DATE RECEIVED ____/____/____	USER ID [_____]

PLEASE STAPLE OR TAPE BEFORE MAILING

OHMS

DEPARTMENT OF DEFENCE (ARMY)

If not delivered, return to:

**RPS/CES MANAGER
PUBLICATIONS SECTION
TECHNICAL DATA CENTRE
DPM-3
661 Bourke Street
MELBOURNE VIC 3001**

FOLD HERE

REPAIR PARTS SCALE DISTRIBUTION LIST

UNIT	QTY	UNIT	QTY
DCPM-A (ENT & SCALES)	1	ALTC (MSD) - NTH BANDIANA	1
BANDIANA LOGISTIC GROUP	3	ALTC - LATCHFORD BKS	1
1 SIG REGT WKSP	4	TOTAL QUANTITY	55
145 SIG SQN WKSP	3		
103 SIG SQN	2		
7 BASB WKSP	2		
1 COMMAND SPT UNIT	1		
139 SIG SQN	1		
DARWIN LOG COY	1		
SCHOOL OF SIGNALS TECH TP	1		
SOUTH QLD LOG GROUP	4		
HQ 6 BDE (EME)	1		
HQ COY 6 BDE TECH SPT	1		
106 WKSP COY 6 BASB	5		
3 BASB FD WKSP	4		
MEA	1		
ARMY TECH & ENGR AGENCY	2		
DEF NAT STOR & DIST CEN	3		
DATATECK PUBLISHING P/L	1		
9 BASB WKSP COY	1		
MELBOURNE LOGISTICS BN	2		
HQ COY 3 BDE TECH SPT	2		
PUCKAPUNYAL LOGISTIC BN	1		
JAKAB INDUSTRIES PTY LTD	1		
144 SIG SQN	2		
HQ LOG COMD MMA MOB/COMM/RAD	2		
ADELAIDE LOGISTIC COMPANY	1		

INTENTIONALLY

LEFT

BLANK

CHAPTER 1

SECTION 1

REPAIR PARTS SCALES NIIN INDEX

INTENTIONALLY

LEFT

BLANK

REPAIR PARTS SCALE NIIN INDEX

NIIN 99-999-9999	GROUP IDENT NO	NIIN 99-999-9999	GROUP IDENT NO	NIIN 99-999-9999	GROUP IDENT NO
00-076-1403	WFDA 006	66-093-2531	WFD 003	66-128-4611	QNA 036
00-110-7841	WFDA 008	66-096-4592	QC 018	66-128-4634	WE 023
00-110-7858	WFDA 007	66-097-0335	FDB 024	66-128-4634	WEA 002
00-203-4103	QGC 021	66-097-0726	WB 008	66-128-4634	WEB 002
00-494-4915	WFDA 005	66-098-2760	WVG 001	66-128-4634	WU 004
00-554-3238	QGC 012	66-098-4400	TA 013	66-128-4655	TA 907
01-009-5492	WFDA 002	66-098-4403	RA 003	66-128-4714	QC 025
01-123-5212	QMA 901	66-098-4440	SQG 003	66-128-4714	QH 029
12-154-2190	SQG 007	66-098-4440	TA 029	66-128-4715	QC 014
12-183-9597	WN 012	66-098-5018	WFA 001	66-128-4715	QH 026
12-199-8964	QBA 016	66-099-7499	QC 011	66-128-4725	TA 027
14-468-9128	WMD 020	66-099-7499	QH 003	66-128-4728	SGB 012
14-475-4121	WNK 004	66-100-8316	WFD 005	66-128-4736	QH 004
66-011-5042	QNA 015	66-102-4112	QC 015	66-128-4737	QC 002
66-014-1115	WL 024	66-102-4112	QH 031	66-128-4738	QC 017
66-014-8509	WNA 010	66-109-1748	QNA 034	66-128-4844	FDB 021
66-016-0815	STA 004	66-112-0444	WL 009	66-128-4852	FDB 017
66-016-3535	SGD 022	66-112-9670	WN 002	66-128-4862	PBA 021
66-016-5982	QMA 010	66-113-3339	WL 003	66-128-4899	QC 006
66-017-9957	QC 013	66-118-6551	WN 011	66-128-4900	QC 904
66-023-2549	WNE 021	66-120-4188	WNA 013	66-128-4903	PBA 022
66-023-5828	WFD 014	66-120-4188	WNB 003	66-128-4957	SGB 013
66-027-4537	WL 011	66-120-5207	WFD 007	66-128-4959	AF 015
66-027-7458	WNA 014	66-120-5948	WNB 009	66-128-4965	SGD 001
66-033-1863	WNB 020	66-122-4792	QNA 033	66-128-4967	SGD 004
66-033-2813	QC 004	66-122-4792	WNE 019	66-128-4969	SGD 013
66-033-2813	QC 023	66-125-3620	WFDA 010	66-128-5005	QNA 024
66-033-2813	QH 011	66-125-4312	WFDA 009	66-128-5006	QNA 022
66-035-3323	WNA 901	66-125-4500	WFDA 011	66-128-5007	QNA 901
66-035-5924	WNA 009	66-126-6857	WMD 025	66-128-5011	AF 026
66-035-5924	WNB 008	66-128-4262	AF 021	66-128-5018	QNA 029
66-054-8813	WNB 004	66-128-4263	AF 025	66-128-5038	AF 017
66-054-8972	WFQ 001	66-128-4291	QNA 008	66-128-5060	BCA 004
66-055-1377	WND 017	66-128-4359	QNA 013	66-128-5238	BC 002
66-065-2592	QC 005	66-128-4360	QNA 012	66-128-5239	BC 007
66-076-3628	QC 012	66-128-4375	AF 028	66-128-5243	PBA 001
66-089-5324	QH 021	66-128-4399	BC 010	66-128-5280	SGD 011
66-089-8012	WFD 901	66-128-4401	AF 007	66-128-5289	AF 029
66-090-7638	WNA 011	66-128-4424	AF 012	66-128-5313	AF 030
66-091-4459	WFDA 003	66-128-4435	AF 027	66-128-5314	AF 031
66-091-9535	WFDA 014	66-128-4438	AF 001	66-128-5315	BCA 001
66-092-6259	WNA 003	66-128-4520	AF 013	66-128-5316	BCA 002
66-092-6259	WNB 010	66-128-4521	SGD 010	66-128-5317	BCA 005
66-093-2465	WFD 015	66-128-4539	FDB 013	66-128-5340	SQG 005
66-093-2477	WFD 016	66-128-4546	QBA 006	66-128-5456	STA 002

REPAIR PARTS SCALE NIIN INDEX

NIIN 99-999-9999	GROUP IDENT NO	NIIN 99-999-9999	GROUP IDENT NO	NIIN 99-999-9999	GROUP IDENT NO
66-128-5508	WFQ 005	66-128-6045	WNE 003	66-139-2027	WDA 019
66-128-5508	WNG 013	66-128-6046	WNE 005	66-139-2028	WDA 031
66-128-5542	WFQ 007	66-128-6047	QGC 007	66-139-2029	WFS 014
66-128-5572	AF 006	66-128-6048	QGC 008	66-139-2030	WL 010
66-128-5573	AF 011	66-128-6049	WNE 012	66-139-2031	WNJ 001
66-128-5609	AF 002	66-128-6050	WNE 016	66-142-7672	WE 016
66-128-5610	AF 005	66-128-6052	QGC 011	99-107-2647	FDB 003
66-128-5631	AF 008	66-128-6053	QGC 022	99-122-2772	WB 003
66-128-5632	AF 009	66-128-6054	QGC 024	99-122-3031	WU 005
66-128-5633	AF 010	66-128-6055	QGC 026	99-122-3032	SQG 028
66-128-5635	AF 014	66-128-6057	WL 005	99-122-3032	TA 015
66-128-5636	AF 016	66-128-6059	QGC 035	99-122-3411	QBA 007
66-128-5637	AF 018	66-128-6060	WVBA 009	99-122-4910	AF 019
66-128-5638	AF 024	66-128-6061	WFC 005	99-122-4910	WB 007
66-128-5641	BC 001	66-128-6067	WQA 010	99-122-4911	RA 001
66-128-5642	BC 004	66-128-6068	WVE 017	99-122-5279	SGB 010
66-128-5769	TA 006	66-128-6069	WVBB 007	99-122-5289	QMA 009
66-128-5823	SGD 012	66-128-6070	WVE 020	99-122-5295	TA 024
66-128-5824	SGD 015	66-128-6080	WVC 002	99-122-5297	AF 023
66-128-5825	SGD 016	66-128-6081	WVC 006	99-122-5361	QBA 008
66-128-5847	SGD 018	66-128-6082	WD 008	99-122-5366	BC 009
66-128-5865	SQG 004	66-128-6083	WD 002	99-122-5370	WU 008
66-128-5870	WB 001	66-128-6084	WD 003	99-122-5498	WB 005
66-128-5888	SGD 017	66-128-6085	WVC 007	99-122-6475	RA 017
66-128-5897	WE 017	66-128-6086	WVC 011	99-122-6476	AF 020
66-128-5899	WNA 001	66-128-6087	WVC 012	99-122-6476	SQG 011
66-128-5901	WNA 012	66-128-6088	WVC 016	99-122-6476	WU 007
66-128-5903	WNA 902	66-128-6089	WVC 020	99-122-6477	PBA 020
66-128-5904	WNB 001	66-128-6090	WVF 001	99-122-6477	WB 004
66-128-5915	SQG 019	66-128-6103	SGD 019	99-122-6479	FDB 023
66-128-5922	WDA 901	66-128-6108	WDA 012	99-122-8062	WFD 008
66-128-5930	WVBC 009	66-128-6111	WNE 014	99-122-8062	WFD 012
66-128-5955	BC 005	66-128-6112	WVBB 005	99-124-3616	RA 009
66-128-5959	QMA 002	66-128-6116	QMA 011	99-135-0429	QMA 008
66-128-5961	SGD 008	66-128-6205	QGC 013	99-135-0430	QMA 005
66-128-6020	QNA 018	66-128-6206	QGC 019	99-135-0430	SQG 029
66-128-6026	BC 006	66-128-6238	TA 008	99-135-0440	SQG 002
66-128-6027	QBA 009	66-128-6241	WVE 018	99-135-0440	TA 028
66-128-6028	QBB 003	66-128-9899	WFD 020	99-135-0689	WFD 013
66-128-6034	SGD 007	66-130-2678	WFDA 012	99-135-9302	FBA 003
66-128-6038	QGC 001	66-130-8811	WL 001	99-136-1522	PBA 009
66-128-6040	QGC 002	66-132-4154	WVE 019	99-137-3054	FBA 012
66-128-6041	WN 001	66-133-7115	WFD 006	99-137-6356	TA 904
66-128-6043	WL 002	66-133-7116	WFD 004	99-137-8241	PBA 008
66-128-6044	WNE 001	66-134-1875	WL 017	99-138-0261	PBA 006

REPAIR PARTS SCALE NIIN INDEX

NIIN 99-999-9999	GROUP IDENT NO	NIIN 99-999-9999	GROUP IDENT NO	NIIN 99-999-9999	GROUP IDENT NO
99-138-0262	PBA 005	99-823-7203	FBA 013		
99-138-0263	PBA 002	99-823-7204	FBA 018		
99-138-0321	PBA 024	99-823-7205	FBA 016		
99-138-0364	PBA 026	99-825-5789	PBA 025		
99-138-1473	RA 011	99-865-4597	TA 905		
99-138-1473	SQG 010	99-874-0243	FBA 011		
99-138-8423	QBA 005	99-901-9736	WNA 002		
99-138-8423	SQG 030	99-901-9736	WNB 002		
99-138-9227	BC 008	99-923-5244	FBA 006		
99-138-9227	RA 018	99-930-4434	PBA 007		
99-138-9227	SQG 006	99-941-1554	FB 009		
99-138-9228	AF 022	99-941-7650	PBA 023		
99-138-9228	RA 002	99-941-8636	PBA 003		
99-139-0313	FBA 026	99-943-4300	PBA 027		
99-139-0313	SQG 009	99-950-3100	TA 026		
99-139-9037	BCA 011	99-970-3518	SGD 902		
99-139-9037	RA 014	99-970-3518	STA 003		
99-203-6405	RA 006	99-977-1102	TA 014		
99-253-7262	QMA 007	99-977-3255	WD 006		
99-277-6018	FBA 002	99-977-3255	WQA 040		
99-499-8033	RA 019	99-995-4499	QNA 902		
99-630-0095	SQG 012				
99-709-0106	QMA 012				
99-720-8155	TA 023				
99-721-4399	TA 903				
99-721-4413	TA 020				
99-721-4414	TA 025				
99-729-2349	PBA 010				
99-729-2980	TA 021				
99-737-8070	TA 902				
99-747-2708	FBA 010				
99-759-4951	QMA 904				
99-759-5254	QMA 905				
99-762-8209	FBA 017				
99-766-0616	QMA 903				
99-766-9038	QMA 003				
99-774-9246	FBA 004				
99-777-4041	FBA 025				
99-788-9287	SQG 027				
99-796-6109	FDB 026				
99-797-3850	QNA 025				
99-822-1517	FBA 005				
99-822-1518	FBA 008				
99-822-1719	FDB 027				
99-823-7202	FBA 007				

INTENTIONALLY

LEFT

BLANK

CHAPTER 1

SECTION 2

REPAIR PARTS SCALES GROUP INDEX

INTENTIONALLY

LEFT

BLANK

REPAIR PARTS SCALE GROUP INDEX

GROUP	CONTENTS	START PAGE
BC	FAN AND DRIVE PULLEY/BELTS	1
BCA	JOCKEY PULLEY	2
FBA	MAIN AND TRANSFER CASING - FRONT	3
FDB	TRANSFER BOX SELECTOR ARRANGEMENT	6
QBA	BATTERIES AND CABLES - MODULE	9
QBB	JUNCTION BOX - BATTERY TO 24 VOLT GENERATOR	12
QC	FRONT WIRING HARNESSSES AND FITTINGS	15
QGB	GENERATOR MOUNTINGS - 24 VOLT	18
QGC	GENERATOR, ENGINE ACCESSORY 55 AMP, 24 VOLT DC	19
QH	CAB WIRING AND FITTINGS	22
QMA	FUSES AND RELAYS	29
QNA	INSTRUMENT PANEL, GAUGES AND SPEEDOMETER CABLE	31
RA	CHASSIS FRAME AND MOUNTING BRACKETS	35
SG	CAB INTERIOR TRIM	37
SGB	DASH PANELS AND TRIM	39
SGD	IDENTIFICATION AND INSTRUCTION LABELS	41
SQG	BATTERY CARRIER - 24 VOLT	44
STA	REAR-END BODY FIXTURES	47
TA	HEATER AND DUCTING - CAB	48
W	MODULE ASSEMBLY - COMPLETE	52
WA	MODULE SHELL, FRAME AND FLOOR ASSEMBLY	53
WB	MOUNTINGS AND LIFTING BOLTS - MODULE	57
WC	ROOF VENT ASSEMBLIES	59
WD	WINDOW ASSEMBLIES - FRONT AND REAR	63
WDA	BLACKOUT CURTAIN ASSEMBLIES - FRONT AND REAR	64
WE	EXTERIOR FIXTURES - MODULE	68
WEA	EXTERIOR LOCKER DOOR, MOUNTINGS, FAN AND VENT - AIR CONDITIONER	71

REPAIR PARTS SCALE GROUP INDEX

GROUP	CONTENTS	START PAGE
WEB	EXTERIOR LOCKER DOOR, MOUNTINGS AND LOCK - MODULE R.H.	75
WEC	EXTERIOR ACCESS DOOR, MOUNTINGS AND LOCK - AUXILIARY POWER SOCKETS	77
WF	INTERIOR FIXTURES - MODULE	79
WFA	FIRST AID LOCKER AND MOUNTINGS	83
WFB	CES STOWAGE FRAME ASSEMBLY	85
WFC	PUBLICATION STOWAGE LOCKER AND FITTINGS	86
WFD	BATTERY CHARGER	87
WFDA	CIRCUIT CARD ASSEMBLY, REGULATOR BOARD	89
WFE	SIDE BENCH ASSEMBLY	91
WFF	FRONT BENCH ASSEMBLY - LEFT HAND	97
WFG	FRONT BENCH ASSEMBLY - RIGHT HAND	100
WFH	FRONT BENCH ASSEMBLY - CENTRE	103
WFJ	ELECTRICAL INSTRUMENT STOWAGE RACK ASSEMBLY	106
WFK	BATTERY CHARGER AND TRANSFORMER MOUNTING BRACKET ASSEMBLY	108
WFL	EXTERIOR LOCKER ACCESS PANEL, INSULATION AND VENT	110
WFM	VICE HOLD-DOWN BRACKET	113
WFN	JERRICAN STOWAGE TRAY ASSEMBLY	114
WFP	ELECTRICAL LEAD STOWAGE BIN ASSEMBLY	116
WFQ	FIRE EXTINGUISHER AND WEAPON MOUNTING BRACKETS - MODULE	118
WFS	CABLE REEL STORAGE TRAY ASSEMBLY	119
WFT	SECURITY FILING CABINET AND MOUNTINGS	121
WL	SWITCHES - MODULE INTERIOR	122
WMD	OVER-VOLTAGE PROTECTION ENCLOSURE AND MOUNTINGS	125
WN	GROUND STUD AND AUXILIARY POWER SOCKETS	128
WNA	REAR STOP, TAIL, TURN INDICATOR AND REVERSE LAMPS - DOOR MOUNTED	130
WNB	INTERIOR LAMPS - MODULE	132

REPAIR PARTS SCALE GROUP INDEX

GROUP	CONTENTS	START PAGE
WNC	TRANSFORMER ASSEMBLY - 240 VOLT TO 24 VOLT	135
WND	REAR WIRING HARNESES AND FITTINGS - MODULE	137
WNE	CIRCUIT BREAKERS, VOLTAGE SELECTOR SWITCHES, VOLTMETER AND MOUNTINGS	140
WNF	TEST TERMINALS - 0 VOLT, 12 VOLT AND 24 VOLT	142
WNG	EARTH SPIKE ASSEMBLY	143
WNJ	TRANSFORMER ASSEMBLY - 240 VOLT TO 110 VOLT	145
WNK	BLACKOUT LIGHTS MICROSWITCH AND MOUNTINGS	146
WQ	REAR DOOR ASSEMBLY	147
WQA	REAR ACCESS DOOR ASSEMBLY	149
WT	REAR MUDGUARD AND PROTECTION STRIPS	153
WU	REAR STEP ASSEMBLY	154
WV	HEATER ASSEMBLY AND MOUNTINGS - MODULE	156
WVB	AIR CONDITIONER COMPRESSOR ASSEMBLY	157
WVBA	AIR CONDITIONER COMPRESSOR AND DRIVE MOTOR MOUNTINGS AND DRIVE BELT	159
WVBB	AIR CONDITIONER CLUTCH AND PULLEY ASSEMBLY	162
WVBC	AIR CONDITIONER CONDENSER ASSEMBLY AND MOUNTINGS	164
WVBE	AIR CONDITIONER EVAPORATOR ASSEMBLY	167
WVC	AIR CONDITIONER HOSES AND FITTINGS	171
WVCA	AIR CONDITIONER DRAIN HOSES AND FITTINGS	174
WVD	AIR CONDITIONER DRIVE MOTOR ASSEMBLY	175
WVE	AIR CONDITIONER THERMOSTAT SWITCH AND RELAY BOX	179
WVF	AIR CONDITIONER ELECTRIC FAN ASSEMBLY	181
WVG	HOURLY METER, HARNESS AND MOUNTING	183
WW	IDENTIFICATION AND INSTRUCTION LABELS - MODULE	185

INTENTIONALLY

LEFT

BLANK

CHAPTER 1

SECTION 3

IDENTIFICATION PLATE

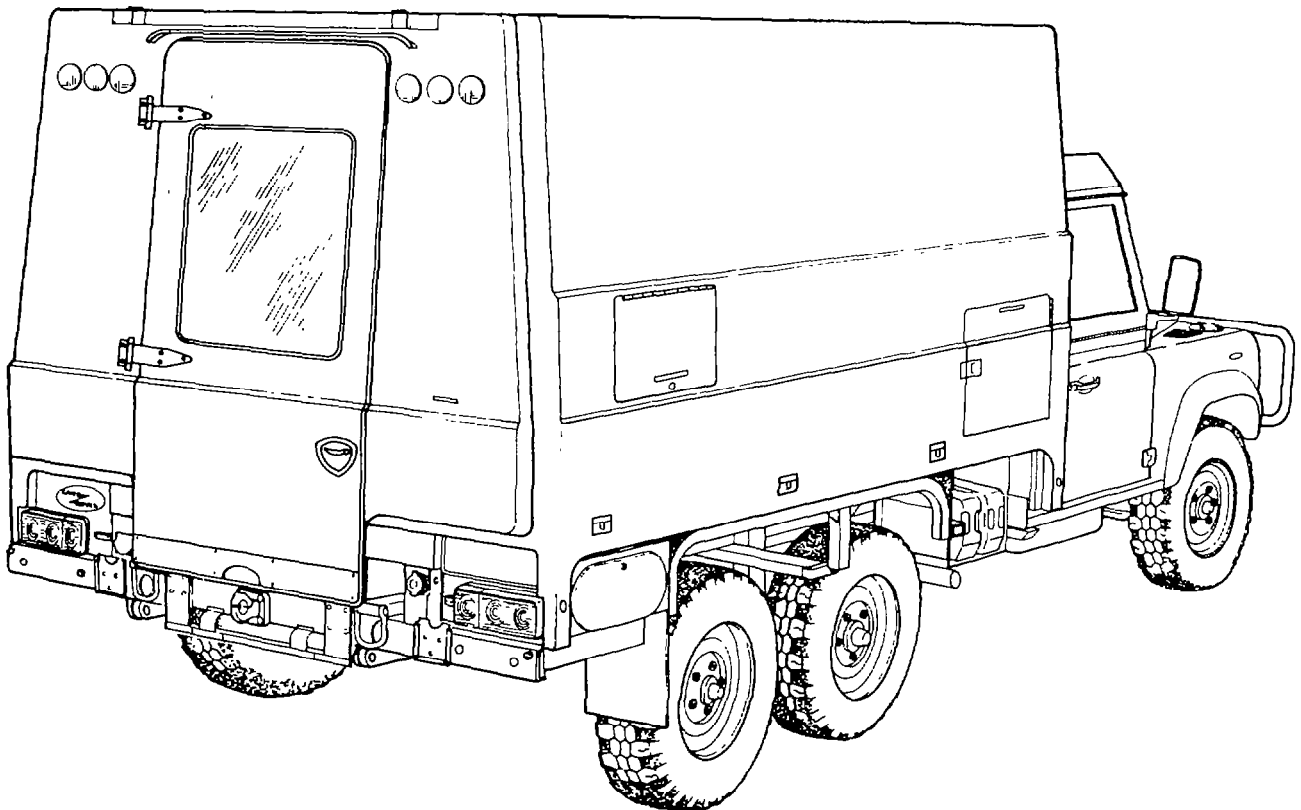
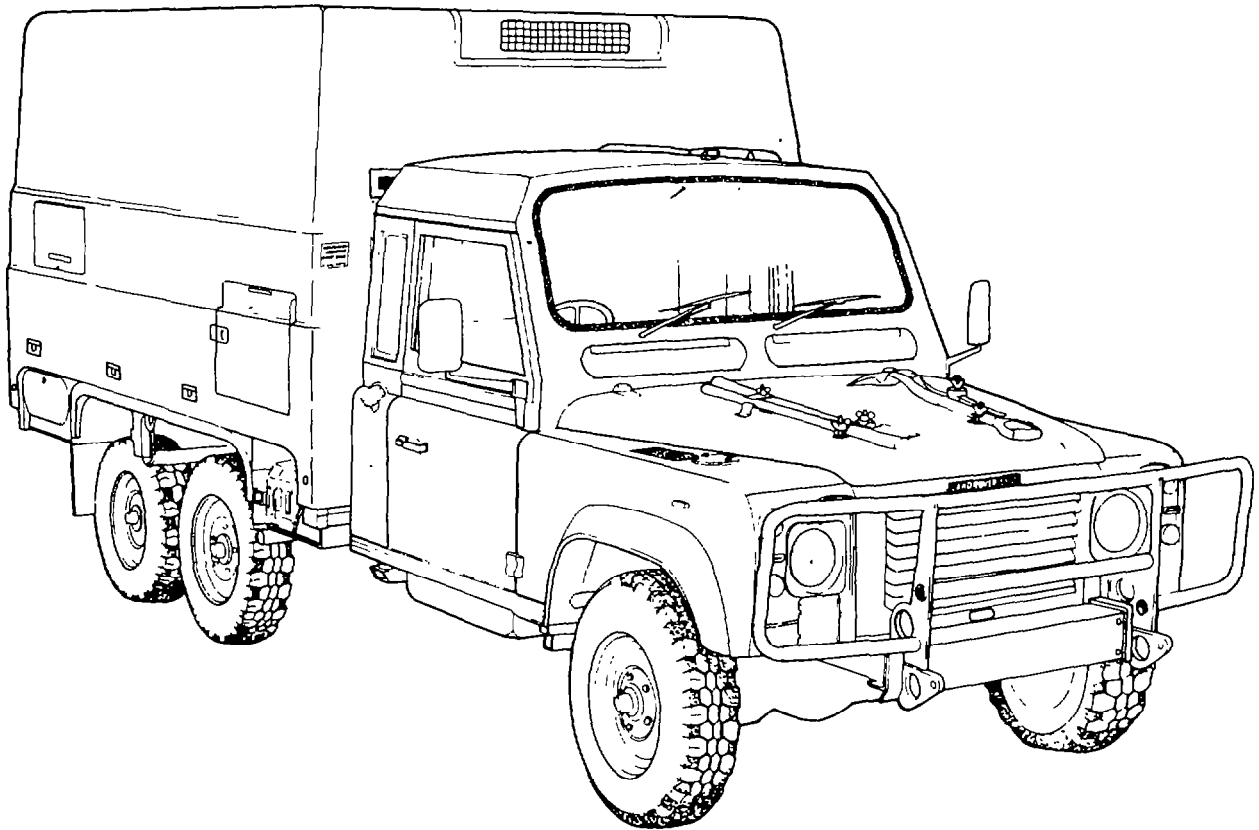
INTENTIONALLY

LEFT

BLANK

IDENTIFICATION PLATE

02222



**TRUCK, COMSEC REPAIR, LIGHT, MC2,
6 x 6, LAND ROVER 110**

INTENTIONALLY

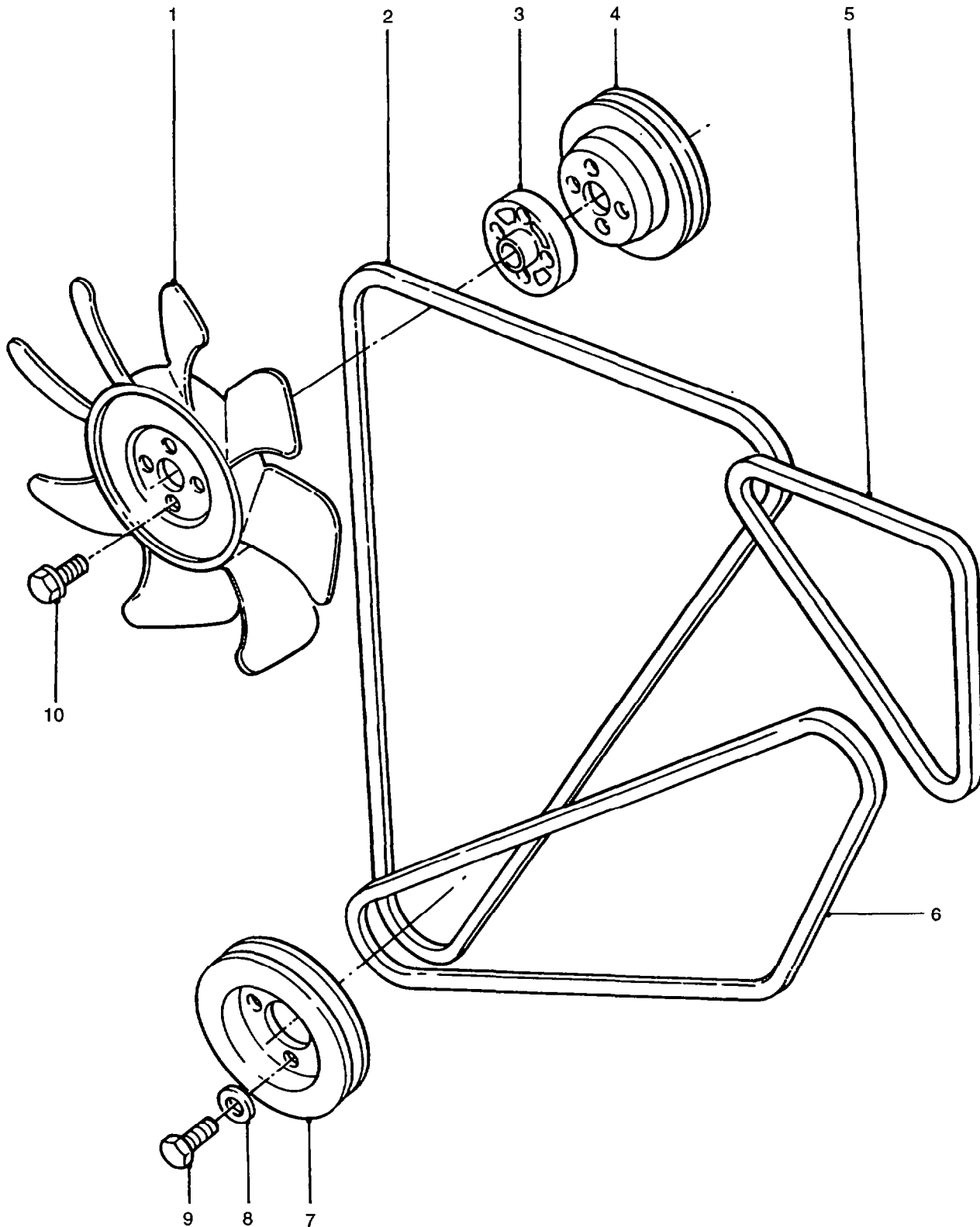
LEFT

BLANK

CHAPTER 2

SECTION 1

REPAIR PARTS SCALE TEXT AND ILLUSTRATIONS

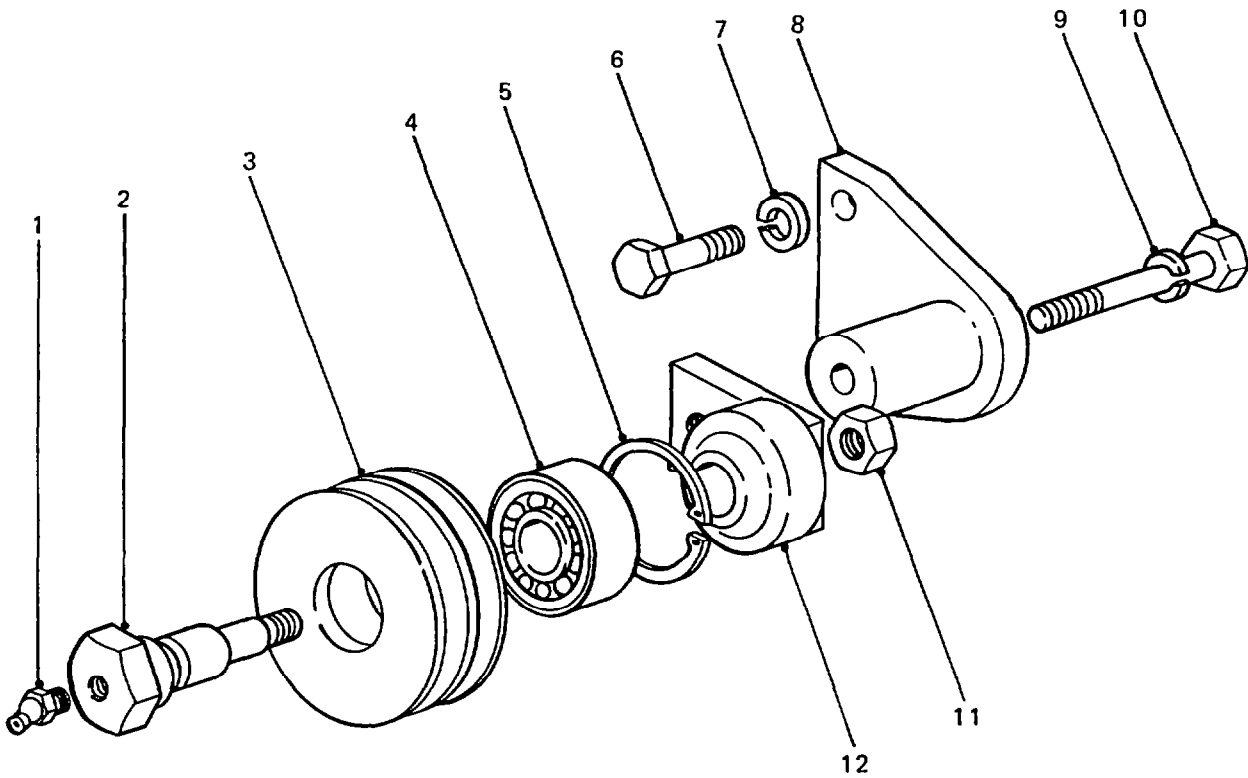


FAN AND DRIVE PULLEY / BELTS

GROUP BC
TITLE FAN AND DRIVE PULLEY/BELTS

ITEM NO	DESIGNATION	NSN MANUFACTURER CODE/PART NO SUPPLIER CODE/PART NO	NO OFF	U	E	L*
				O	X	M*
			I	P	H*	
001	IMPELLER, FAN, AXIAL RADIATOR COOLING, PLASTIC, 430 MM OD, FLUID COUPLING	2930 66-128-5641 S0226/8943326340 Z5394/8943326340	1	EA	X	LMH
002	BELT, V FAN, RUBBERISED FABRIC, NOTCHED	3030 66-128-5238 11288/BX45 Z5394/AYG441	1	EA	X	LMH
003	SPACER, FAN	S0226/5136420510 Z5394/5136420510	1			
004	PULLEY, GROOVE FAN	3020 66-128-5642 S0226/5136630570 Z5394/5136630570	1	EA	X	LMH
005	BELT, V A SECTION, 27 IN. DIA, AIR COMPRESSOR DRIVE	3030 66-128-5955 Z2754/MAV26 Z5394/MYH3562	1	EA	X	LMH
006	BELT, V 24 VOLT GENERATOR DRIVE, 950 MM DIA	3030 66-128-6026 11288/11A0950 Z5394/AYG2996	1	EA	X	LMH
007	PULLEY, GROOVE CRANKSHAFT, CAST IRON, 164 MM O/D, 33 MM WIDE, 2 GROOVE, 78 MM ID	3020 66-128-5239 Z5394/AYG400 Z5394/AYG400	1	EA	X	LMH
008	WASHER, LOCK SPRING, STEEL, SINGLE TURN, SQUARE SECTION, ZINC PLATED, 8 MM BOLT SIZE	5310 99-138-9227 U1030/WL108001 Z5394/WL108001	4	EA	X	LMH
009	SCREW, CAP, HEXAGON HEAD O METRIC, STEEL, HEX HD, ZINC PLATED, 8 MM BY 20 MM LG	5305 99-122-5366 U1030/FS108201 Z5394/FS108201	4	EA	X	LMH
010	BOLT, MACHINE ISO M, STEEL, HEX HD, 8 MM-1.25 MM THD, 29.5 MM THD LG, 35 MM LG O/A, 12 MM W A/F, 5.5 MM HD THK	5306 66-128-4399 S0226/9019108350 Z5394/9019108350	4	EA	X	LMH

* GRADE OF REPAIR (LIGHT MEDIUM OR HEAVY)



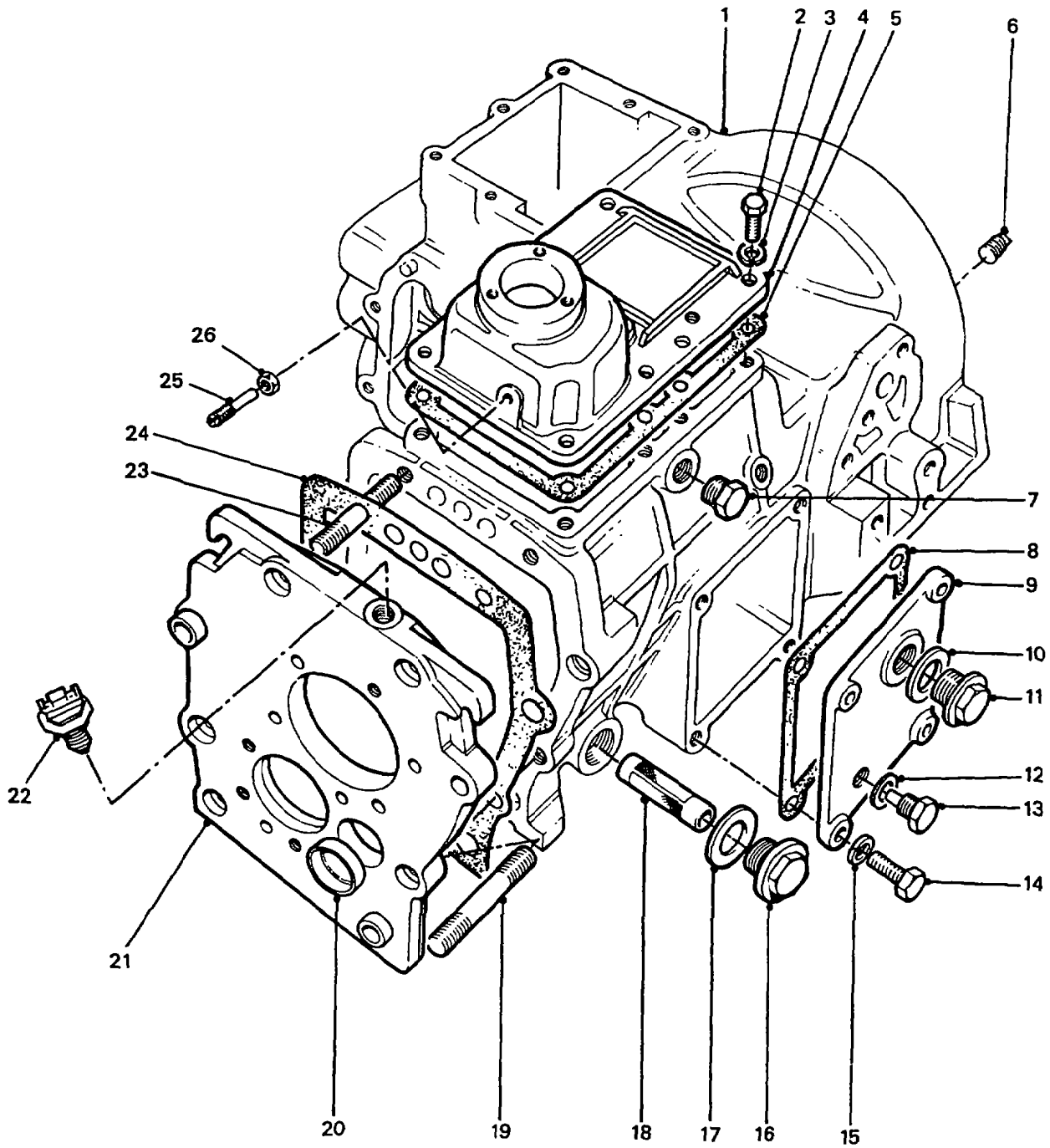
JOCKEY PULLEY

GROUP BCA
TITLE JOCKEY PULLEY

ITEM NO	DESIGNATION	NSN MANUFACTURER CODE/PART NO SUPPLIER CODE/PART NO	NO OFF	U	E	L*
				O	X	M*
				I	P	H*
001	FITTING, LUBRICATION STEEL, ZINC COATED, 45 DEG, ISO METRIC, 6 MM	4730 66-128-5315 U1030/LN050061 Z5394/LN050061	1	EA	X	LMH
002	BOLT, SHOULDER (BOLT, SPECIAL, JOCKEY PULLEY) ISO M, STEEL, HEX HD, 12 MM THD DIA, 78 MM LG, 17 MM THD LG, DRILLED FOR GREASE FITTING	5306 66-128-5316 Z5394/AYG0496 Z5394/AYG0496	1	EA	X	LMH
003	PULLEY, GROOVE, 74.0 MM DIA., CAST IRON, JOCKEY PULLEY	Z5394/AYG0403 Z5394/AYG0403	1			
004	BEARING, BALL, ANNULAR DOUBLE ROW, ANGULAR CONTACT, 17.5 MM W, 17.0 MM ID, 40.0 MM OD	3110 66-128-5060 Z5394/MYH3172 Z5394/MYH3172	1	EA	X	LMH
005	RING, RETAINING STEEL, INTERNAL, 43.5 MM BY 1.75 MM THK	5325 66-128-5317 U1030/CR110405 Z5394/CR110405	1	EA	X	LMH
006	SCREW, HEXAGON HEAD, ISO METRIC, STEEL, ZINC COATED, 10 MM BY 25 MM LG.	U1030/SH210251 Z5394/SH210251	2			
007	WASHER, LOCK, SPRING, STEEL, SINGLE TURN, ZINC PLATED, 10 MM, 15.90 MM O.D. 2.50 MM THK.	U1030/WL110001 Z5394/WL110001	2			
008	MOUNTING, JOCKEY PULLEY, MILD STEEL, 90 MM BY 10 MM BACK PLATE, 33 MM BY 37 MM SPACER	Z5394/AYG360 Z5394/AYG360	1			
009	WASHER, LOCK, SINGLE COIL, RECT. SECTION, 12 MM I.D., ZINC PLATED	Z5394/WL112001 Z5394/WL112001	1			
010	BOLT, MACHINE, ISO METRIC, STEEL, HEX. HD., ZINC PLATED, 12 MM BY 65 MM LG.	U1030/BH112131 Z5394/BH112131	1			
011	NUT, SELF-LOCKING, HEXAGON ISO M, STEEL, ZINC PLATED, 12 MM THD	5310 99-139-9037 U1030/NV112041 Z5394/NV112041	1	EA	X	LMH
012	ARM ASSEMBLY, JOCKEY PULLEY ADJUSTING, MILD STEEL M12 BY 1.75 PITCH MTG HOLE, 65 MM BY 32 MM	Z5394/AYG404 Z5394/AYG404	1			

ISSUE NO: 1 REPAIR PARTS SCALE : 02222 PAGE NO: 2

* GRADE OF REPAIR (LIGHT MEDIUM OR HEAVY)



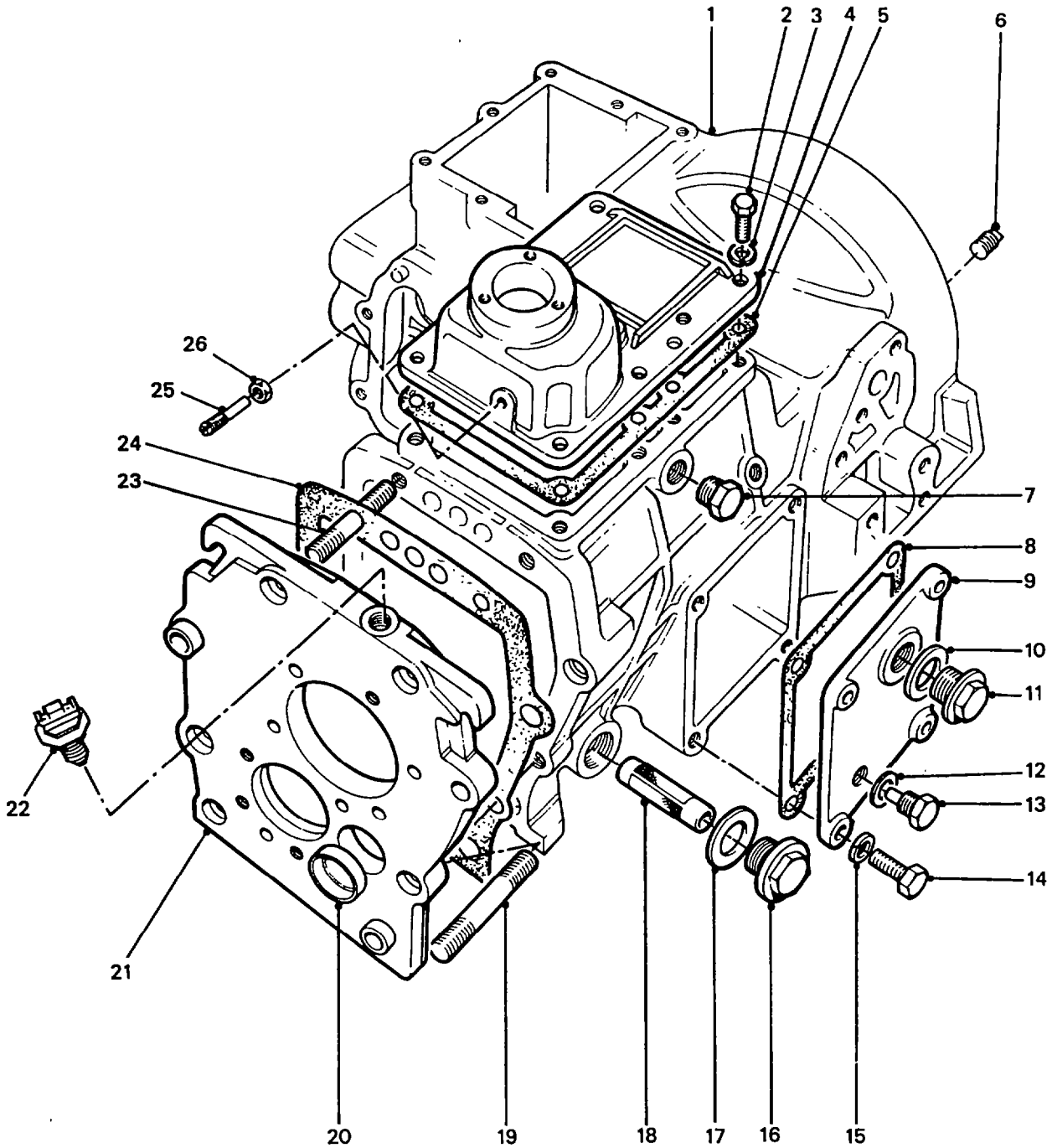
MAIN AND TRANSFER CASING - FRONT

GROUP FBA
TITLE MAIN AND TRANSFER CASING - FRONT

ITEM NO	DESIGNATION	NSN MANUFACTURER CODE/PART NO SUPPLIER CODE/PART NO	NO	U	E	L*
			OFF	O	X	M*
				I	P	H*
001	CASING, GEARBOX. (INCLUDES FBA 019 TO FBA 021 AND FBA 023)	U1030/FRC1778 Z5394/FRC1778	1			
002	SCREW, FLANGE METRIC, STEEL, ZINC PLATED, M8 BY 25 MM LG	2520 99-277-6018 U1030/FS108251 Z5394/FS108251	8EA	X		LMH
003	WASHER, LOCK STEEL, SINGLE COIL, SQUARE SECTION, 8 MM BOLT SIZE	5310 99-135-9302 U1030/WM108001 Z5394/WM108001	8EA	X		LMH
004	COVER, TOP, GEARBOX ALUMINIUM ALLOY, 230 MM LG, 155 MM W, 84 MM O/A H, W/GEARCHANGE ARM SEATING	2520 99-774-9246 U1030/FRC5629 Z5394/FRC5629	1EA	X		LMH
005	GASKET, COVER PLATE ASBESTOS FIBRE, 230 MM LG, 155 MM W, 0.75 MM THK, W/8 HOLES 9 MM DIA (ALSO PART OF F 901)	5330 99-822-1517 U1030/576195 Z5394/R576195	1EA	X		LMH
006	PLUG, PIPE STEEL, SOLID HD, 1/2 IN. BSP TR, 0.518 IN. THD LG	4730 99-923-5244 U1030/3292 Z5394/R3292	1EA	X		LMH
007	PLUG, MACHINE THREAD EEL, HEX ND, PHOSPHATED FINISH, M16 COURSE THD, 11 MM LG	5365 99-823-7202 U1030/571944 Z5394/R571944	1EA	X		LMH
008	GASKET, COVER PLATE ASBESTOS FIBRE, 149 MM LG, 130 MM W, 0.75 MM THK (ALSO PART OF F 901)	5330 99-822-1518 U1030/571841 Z5394/R571841	1EA	X		LMH
009	PLATE, COVER, REVERSE IDLER ACCESS.	U1030/594320 Z5394/R594320	1			
010	WASHER, FLAT FIBRE, 36 MM OD BY 25 MM ID (ALSO PART OF F 901)	5310 99-747-2708 K4284/FRC4835 Z5394/FRC4835	1EA	X		LMH
011	PLUG, MACHINE THREAD DIFFERENTIAL OIL FILLER	4730 99-874-0243 U1030/533358 Z5394/R533358	1EA	X		LMH
012	GASKET ASBESTOS AND COPPER, 12.70 MM ID, 19 MM OD, 3 MM THK (ALSO PART OF F 901)	5330 99-137-3054 U1030/FRC4808 Z5394/FRC4808	1EA	X		LMH

ISSUE NO: 1 REPAIR PARTS SCALE : 02222 PAGE NO: 3

* GRADE OF REPAIR (LIGHT MEDIUM OR HEAVY)



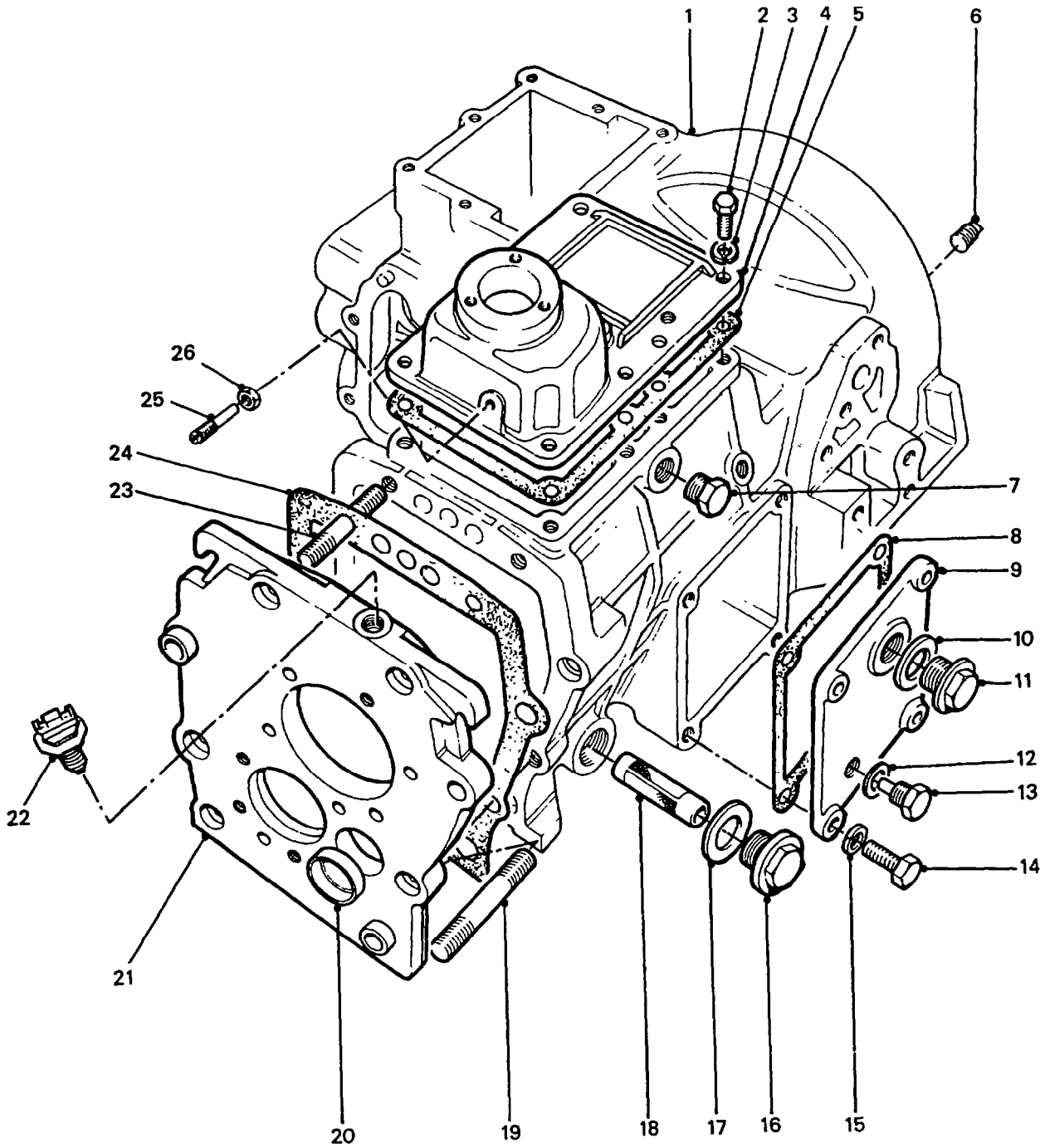
MAIN AND TRANSFER CASING - FRONT

GROUP FBA
TITLE MAIN AND TRANSFER CASING - FRONT

ITEM NO	DESIGNATION	NSN MANUFACTURER CODE/PART NO SUPPLIER CODE/PART NO	NO OFF	U	E	L*
				O	X	M*
			I	P	H*	
013	PLUG, MACHINE THREAD, MAGNETIC TIC, M12 BY 1.5 MEDIUM FIT	5365 99-823-7203 U1030/599552 Z5394/R599552	1	EA	X	LMH
014	SCREW, HEX. HD., MEDIUM TENSILE, METRIC COARSE, 10 MM BY 35 MM LG., ZINC PLATED	U1030/SH110351 Z5394/SH110351	4			
015	WASHER, LOCK, SINGLE COIL, SQ. SECT., 10 MM I.D., ZINC PLATED.	U1030/WM110001 Z5394/WM110001	4			
016	CUTTER, PIPE PLUG, SCREWED, SI METRIC, BRASS HEX HD, 30 MM BY 13 MM LG	5365 99-823-7205 U1030/571104 Z5394/90571104	1	EA	X	LMH
017	JOINT WASHER (ALSO PART OF F 901)	5330 99-762-8209 U1030/FRC4810 Z5394/FRC4810	1	EA	X	LMH
018	FILTER, OIL STRAINER, ELEMENT, MESH TYPE, 21.0 MM O/DIA, 88.0 MM O/A LG.	2520 99-823-7204 U1030/576220 Z5394/R576220	1	EA	X	LMH
019	STUD, MEDIUM TENSILE, 16 MM BY 100 MM LG. (ALSO PART OF FBA 001)	U1030/TE116155 Z5394/TE116155	2			
020	PLUG, CUP, STEEL, 32 MM MAX. O.D., 31 MM MIN. O.D., 9 MM LG. (ALSO PART OF FBA 001)	U1030/591290 Z5394/R591290	1			
021	PLATE, BEARING. (ALSO PART OF FBA 001)	Z5394/FTC4621 Z5394/FTC4621	1			
022	SWITCH, PUSH (REFER GROUP QM 008)	U1030/RTC4512 Z5394/RTC4512	1			
023	STUD, MEDIUM TENSILE, METRIC COARSE, 12 MM BY 73 MM LG. (ALSO PART OF FBA 001)	U1030/TE112115 Z5394/TE112115	2			
024	GASKET, FIBRE, 277 MM LG., 260 MM W., 0.15 MM THK. (ALSO PART OF F 901)	U1030/571837 Z5394/R571837	1			
025	SCREW, GRUB STEEL, CAD PLATED, SLOT DRIVE, 8 MM DIA THD, 15 MM LG, 6 MM SHANK DIA, 25 MM LG	5305 99-777-4041 U1030/FRC5801 Z5394/FRC5801	1	EA	X	LMH

ISSUE NO: 1 REPAIR PARTS SCALE : 0222 PAGE NO: 4

* GRADE OF REPAIR (LIGHT MEDIUM OR HEAVY)

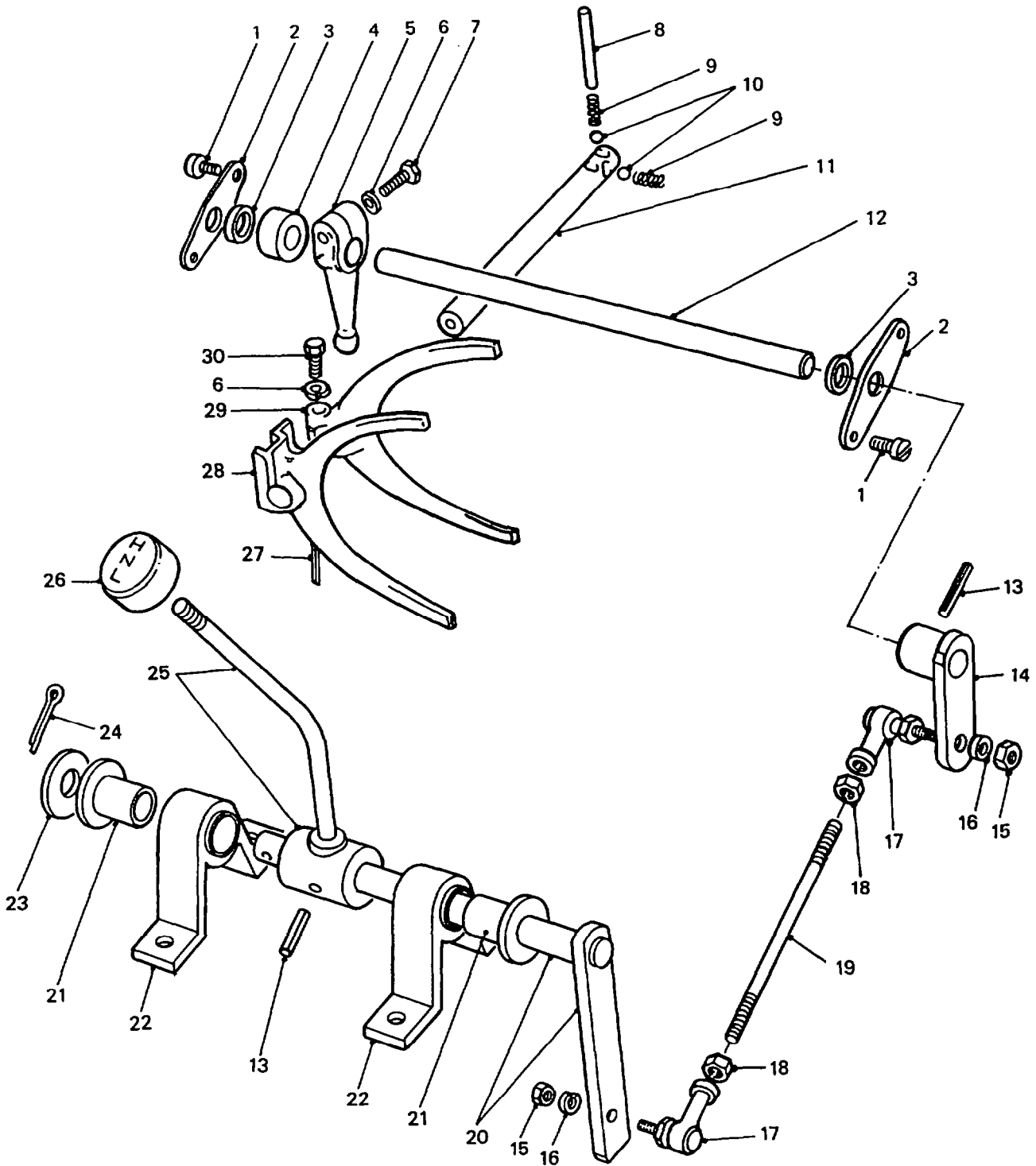


MAIN AND TRANSFER CASING - FRONT

GROUP FBA
TITLE MAIN AND TRANSFER CASING - FRONT

ITEM NO	DESIGNATION	NSN MANUFACTURER CODE/PART NO SUPPLIER CODE/PART NO	NO OFF	U O I	E X P	L* M* H*
026	NUT, PLAIN, HEXAGON ISOMETRIC, 6H, STEEL, ZINC PLATED AND CHROMATED, 8 MM DIA, 13 MMW A/F, 5 MM H O/A, CSK BOTH FACES	5310 99-139-0313 U1030/NT108041 Z5394/NT108041	1	EA	X	LMH

* GRADE OF REPAIR (LIGHT MEDIUM OR HEAVY)



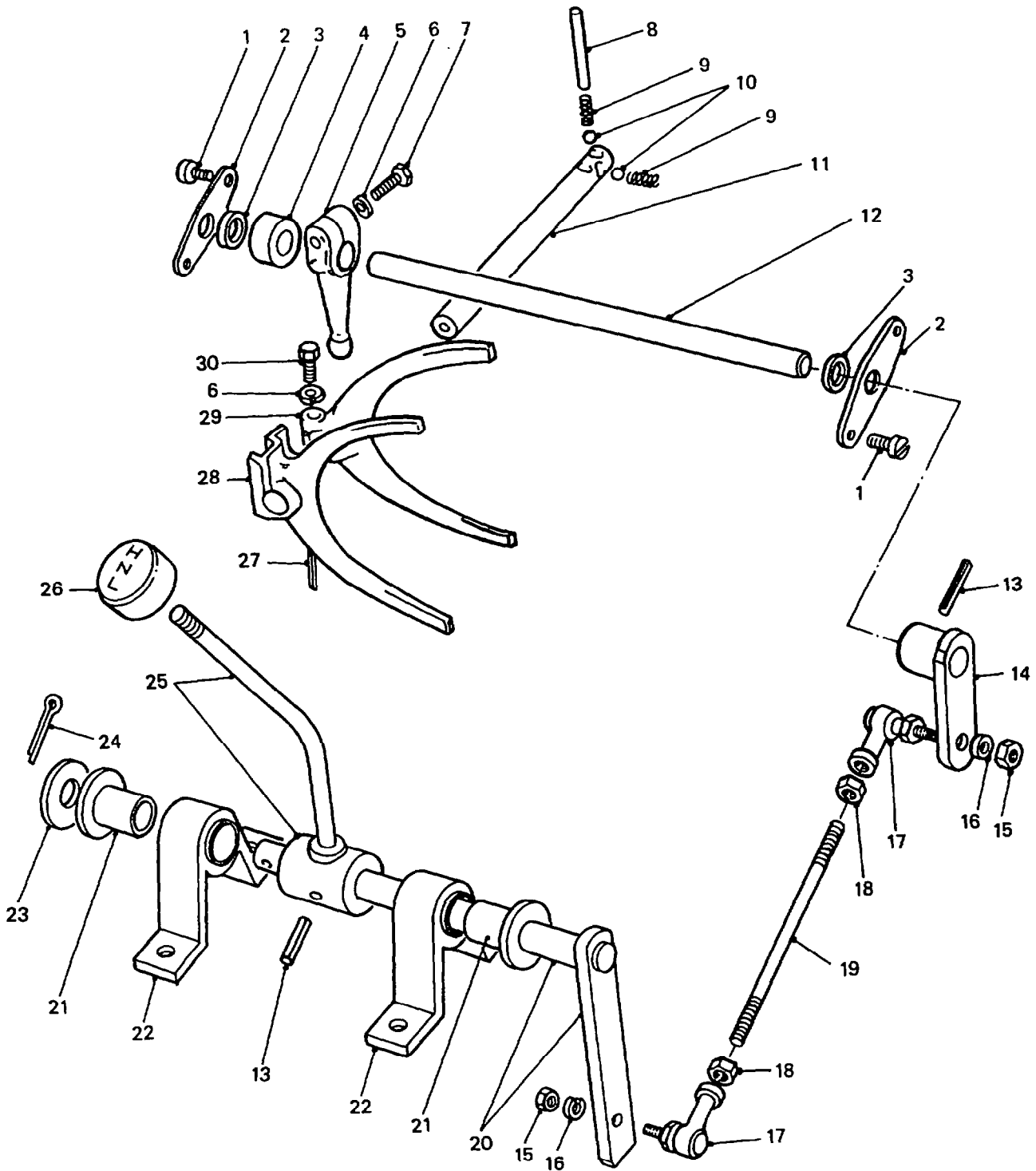
**TRANSFER BOX SELECTOR
ARRANGEMENT**

GROUP FDB
TITLE TRANSFER BOX SELECTOR ARRANGEMENT

ITEM NO	DESIGNATION	NSN MANUFACTURER CODE/PART NO SUPPLIER CODE/PART NO	NO	U	E	L*
			OFF	O	X	M*
			I	P	H	H*
001	SCREW, SLOTTED PAN HD., 8 MM COARSE THREAD, 16 MM LG., ZINC PLATED	U1030/SP108161 Z5394/SP108161	4			
002	PLATE, RETAINING	U1030/576149 Z5394/R576149	2			
003	RING, SEALING TOROIDAL SYNTHETIC RUBBER, 5/8IN ID BY 3/32IN H	5330 99-107-2647 U1030/FRC6468 Z5394/FRC6468	2	PK	X	LMH
004	SPACER, SLEEVE	U1030/593983 Z5394/R593983	1			
005	SELECTOR FINGER, CROSS SHAFT	U1030/593981 Z5394/R593981	1			
006	WASHER, LOCK, STEEL, SINGLE COIL, SQUARE SECTION, 8 MM BOLT SIZE	U1030/WM108001 Z5394/WM108001	2			
007	SCREW, MACHINE, ISO METRIC, STEEL, HEX. HD., ZINC PLATED, 8 MM BY 20 MM LG.	U1030/FS108201 Z5394/FS108201	1			
008	PIN, STRAIGHT, HEADLESS, STEEL, 9 MM DIA., 61 MM LG.	U1030/571980 Z5394/R571980	1			
009	SPRING, HELICAL, COMPRESSION STEEL, 11.5 ACTIVE COILS, 8.75 MM O.D., 29.15 MM FREE LENGTH	U1030/593802 Z5394/R593802	2			
010	BALL, BEARING	U1030/571146 Z5394/R571146	2			
011	ROD, SELECTOR, GEARBOX	U1030/571981 Z5394/R571981	1			
012	CROSS-SHAFT, GEAR SELECTOR.	U1030/FRC5882 Z5394/FRC5882	1			
013	PIN, SPRING STEEL, ZINC PLATED, 6 MM DIA BY 30 MM LG, 1.25 MM WALL THK	5315 66-128-4539 Z5394/PA112301 Z5394/PA112301	2	EA	X	LMH

ISSUE NO: 1 REPAIR PARTS SCALE : 02222 PAGE NO: 6

* GRADE OF REPAIR (LIGHT MEDIUM OR HEAVY)



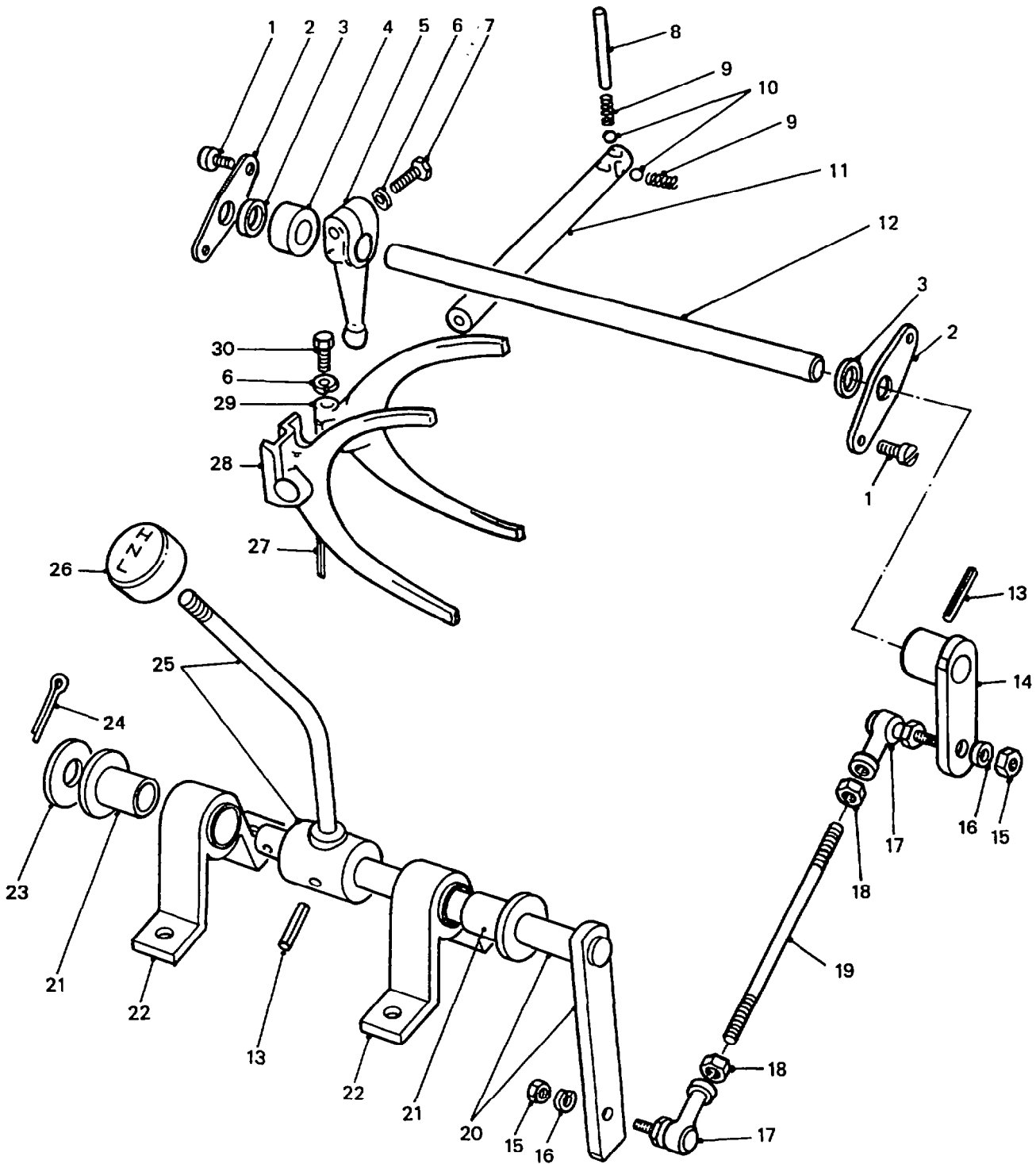
**TRANSFER BOX SELECTOR
ARRANGEMENT**

GROUP FDB
TITLE TRANSFER BOX SELECTOR ARRANGEMENT

ITEM NO	DESIGNATION	NSN MANUFACTURER CODE/PART NO SUPPLIER CODE/PART NO	NO OFF	U	E	L*
				I	P	H*
014	LEVER, SELECTOR CROSS-SHAFT.	Z5394/AYG3489 Z5394/AYG3489	1			
015	NUT, HEX., NORMAL, 8 MM COARSE THREAD, STEEL, MEDIUM TENSILE, ZINC PLATED	U1030/FN108041 Z5394/FN108041	2			
016	WASHER, LOCK, SPRING, STEEL, ZINC PLATED, 8 MM I.D., 14.85 MM O.D., 2 MM THK.	U1030/WL108001 Z5394/WL108001	2			
017	BALL JOINT TRANSFER BOX SELECTOR MECHANISM	3040 66-128-4852 Z5394/MYH3219 Z5394/MYH3219	1	EA	X	LMH
018	NUT, PLAIN, HEX., ISOMETRIC, COARSE, STEEL, MEDIUM TENSILE STRENGTH, ZINC PLATED, THIN TYPE, 8 MM	U1030/NT108041 Z5394/NT108041	2			
019	ROD, SELECTOR, 8 MM DIA., 125 MM LENGTH, 30 MM THREAD LENGTH EACH END, AS-1204, GRADE 250, GALVALLOY 50, DARK YELLOW, 15 MICRONS THICK, MECH. PLATE.	Z5394/AYG3491 Z5394/AYG3491	1			
020	SHAFT ASSEMBLY, SELECTOR.	Z5394/AYG3488 Z5394/AYG3488	1			
021	BEARING, SLEEVE SINTERED BRONZE	3120 66-128-4844 Z5394/MYH3217 Z5394/MYH3217	2	EA	X	LMH
022	PIVOT, SELECTOR SHAFT.	Z5394/AYG3490 Z5394/AYG3490	2			
023	WASHER, FLAT RD, STEEL, ZINC PLATED, 16 MM BOLT SIZE ,30 MM OD BY 3 MM THK	5310 99-122-6479 U1030/WA116101 Z5394/WA116101	1	EA	X	LMH
024	PIN, COTTER SPLIT, STEEL, 3.2 MM BY 25 MM	5315 66-097-0335 Z5394/PS106251 Z5394/PS106251	1	EA	X	LMH
025	LEVER, GEAR SELECTOR.	Z5394/AYG3556 Z5394/AYG3556	1			

ISSUE NO: 1 REPAIR PARTS SCALE : 02222 PAGE NO: 7

* GRADE OF REPAIR (LIGHT MEDIUM OR HEAVY)



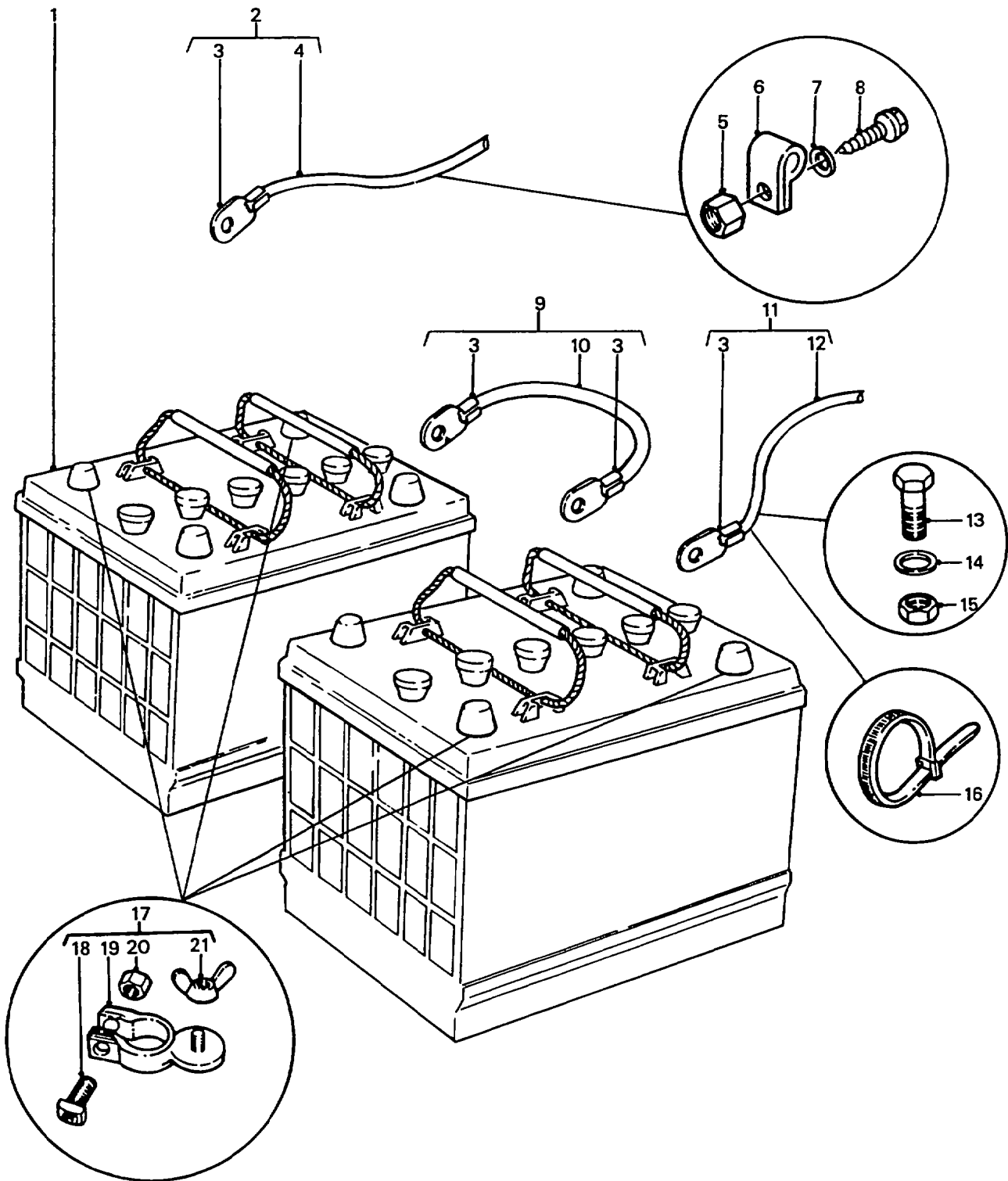
**TRANSFER BOX SELECTOR
ARRANGEMENT**

GROUP FDB
TITLE TRANSFER BOX SELECTOR ARRANGEMENT

ITEM NO	DESIGNATION	NSN MANUFACTURER CODE/PART NO SUPPLIER CODE/PART NO	NO OFF	U O I	E X P	L* M* H*
026	KNOB SELECTOR LEVER	5355 99-796-6109 U1030/FRC6126 Z5394/FRC6126	1	EA	X	LMH
027	PIN, SPRING STEEL, 4.50 MM DIA, 26 MM LG, 0.80 MM MATL THK	5315 99-822-1719 U1030/571158 Z5394/R571158	1	EA	X	MH
028	FORK, SELECTOR, GEARBOX, FRONT	U1030/571982 Z5394/R571982	1			
029	FORK, SELECTOR, GEARBOX, REAR	U1030/571983 Z5394/R571983	1			
030	BOLT, MACHINE, ISO METRIC, 6G, STEEL, HEX. HD., ZINC PLATED, 8 MM, 1.25 MM PITCH, 30 MM LG.	U1030/BH108061 Z5394/BH108061	1			

ISSUE NO: 1 REPAIR PARTS SCALE : 02222 PAGE NO: 8

* GRADE OF REPAIR (LIGHT MEDIUM OR HEAVY)

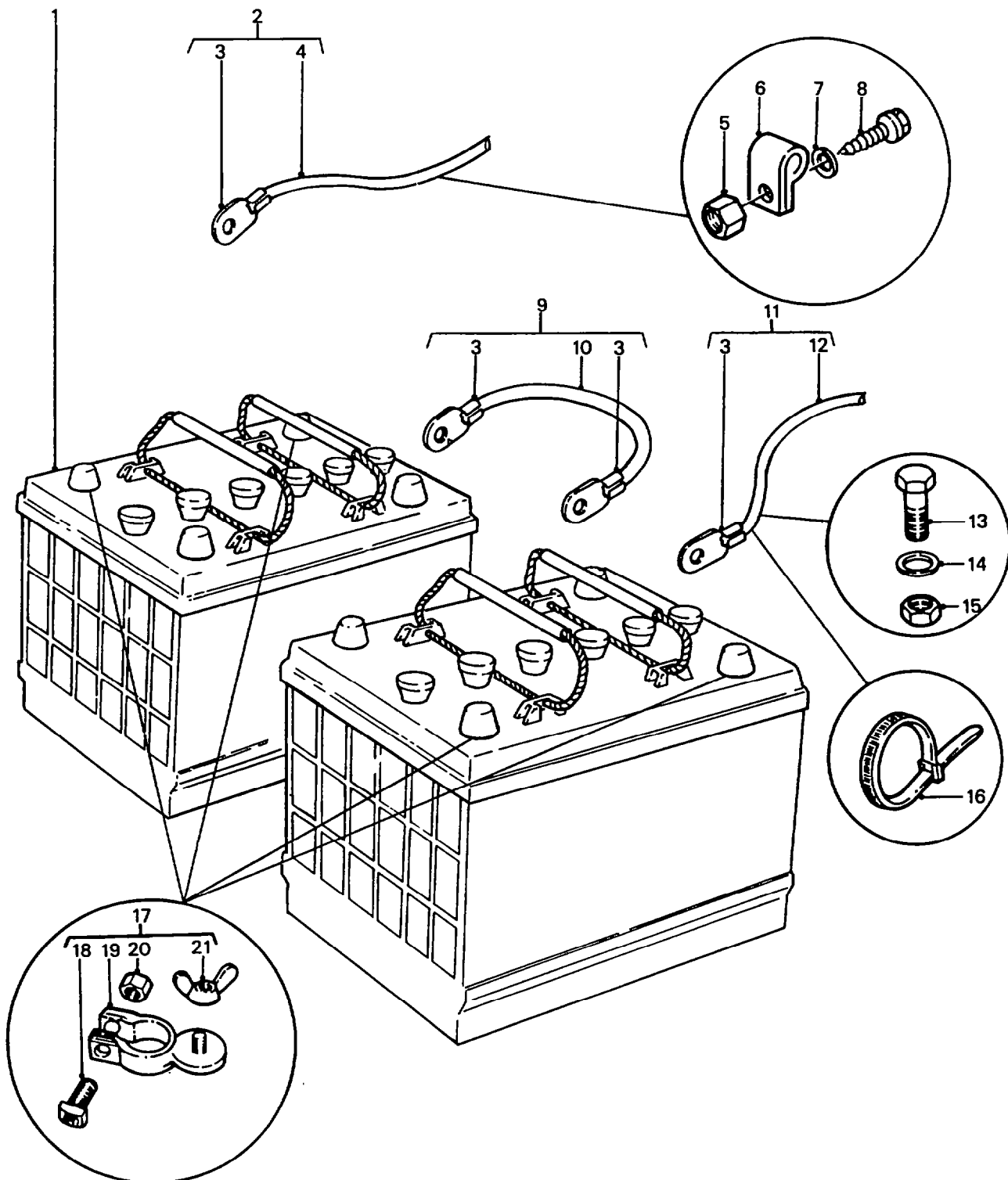


GROUP QBA
TITLE BATTERIES AND CABLES - MODULE

ITEM NO	DESIGNATION	NSN MANUFACTURER CODE/PART NO SUPPLIER CODE/PART NO	NO OFF	U	E	L*
				O	X	M*
			I	P	H*	
001	BATTERY, STORAGE, 12 V, 90 AH, 15 PLATE, 350 MM MAX LG., 175 MM MAX W., 235 MM MAX H.	Z3552/541C Z5394/AYG9720	2			
002	CABLE ASSEMBLY, GENERATOR TO MODULE BATTERIES, 3600 MM LG., RED, 6B AND S SIZE. (INCLUDES QBA 003 AND QBA 004)	Z5394/BYG9030 Z5394/BYG9030	1			
003	LUG, CRIMP, COPPER, BATTERY CABLE TO BATTERY TERMINAL, 42.1 MM LG., 13.5 MM W., 2.4 MM THK., 6.7 MM WIRE DIA. (ALSO PART OF QBA 002, QBA 009 AND QBA 011)	Z0220/H1413 Z0220/H1413	5			
004	CABLE, BATTERY, RED, 3520 MM LG. (MANUFACTURE FROM QBA 903 OR USE QBA 002)	/NIL /NIL	1			
005	NUT, SELF-LOCKING, HEXAGON	5310 99-138-8423 U1030/NY106041 Z5394/NY106041	2	EA	X	LMH
006	CLAMP, LOOP	5340 66-128-4546 Z0757/232823 Z5394/MYH2697	4	EA	X	LMH
007	WASHER, FLAT ZINC PLATED	5310 99-122-3411 U1030/WC106041 Z5394/WC106041	4	EA	X	LMH
008	SCREW, CAP, HEXAGON HEAD ISO METRIC, STEEL, HEX/HD, ZINC/PLATED 6.0 MM DIA, 1.0 MM PITCH, 20.0 MM LG. (CLIP TO WHEELARCH)	5305 99-122-5361 U1030/FS106201 Z5394/FS106201	2	EA	X	LMH
901	SCREW, SELF DRILLING/THREADING, 14-14 BY 20, HWF TEKS PLATED, CD YELLOW, 12 MM THD. LG., 22 MM LG., FLANGED HD. (CLIP TO CHASSIS LH UPPER SIDE RAIL)	Z2665/6-311-0038-5 Z5394/MYH3337	2			
009	LEAD, ELECTRICAL LINK, MODULE BATTERIES, 280 MM LG, BLACK (INCLUDES QBA 003 - 2 OFF AND QBA 010)	6150 66-128-6027 Z5394/BYG9028 Z5394/BYG9028	1	EA	X	LMH

ISSUE NO: 1 REPAIR PARTS SCALE : 02222 PAGE NO: 9

* GRADE OF REPAIR (LIGHT MEDIUM OR HEAVY)



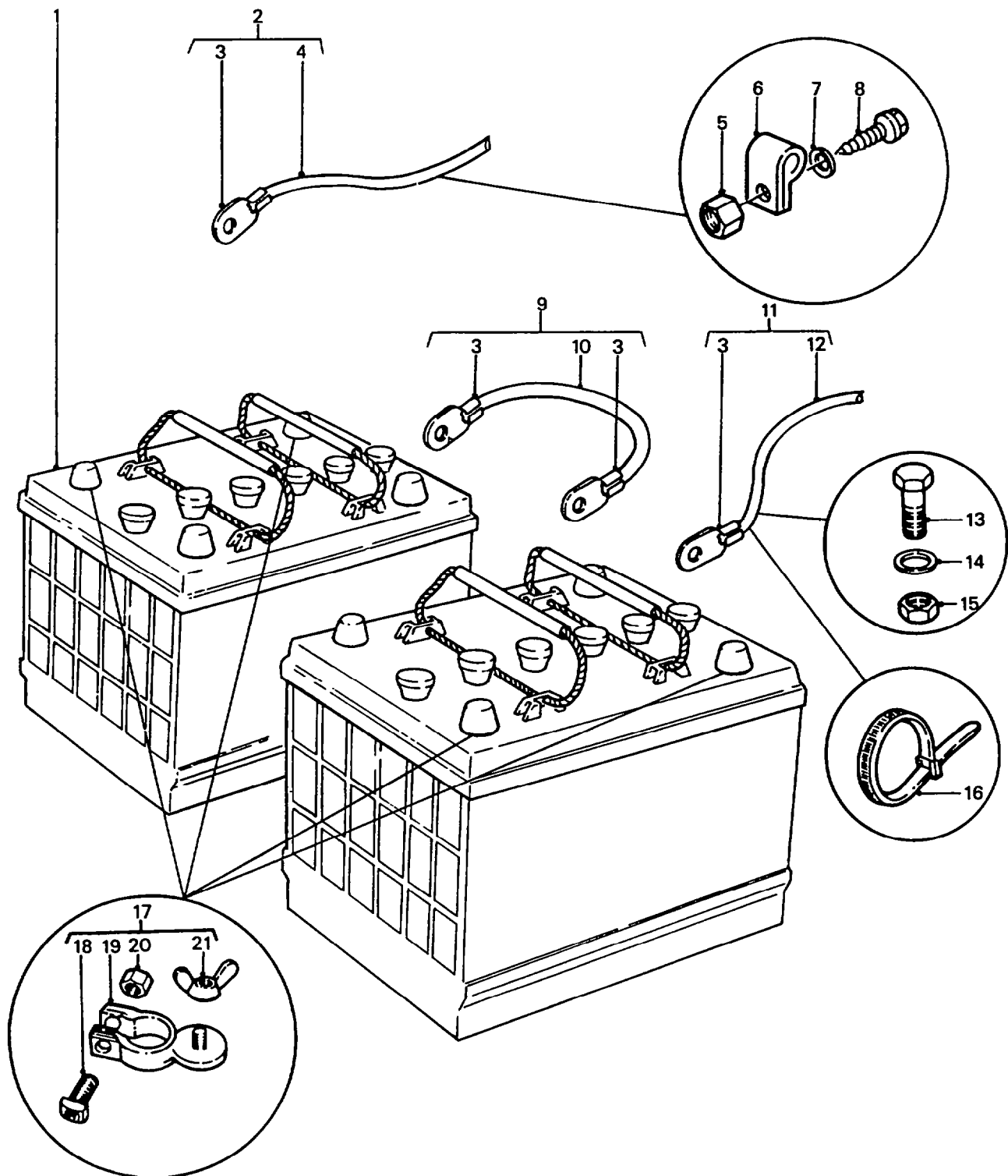
BATTERIES AND CABLES - MODULE

GROUP QBA
TITLE BATTERIES AND CABLES - MODULE

ITEM NO	DESIGNATION	NSN MANUFACTURER CODE/PART NO SUPPLIER CODE/PART NO	NO	U	E	L*
			OFF	Q	X	M*
			I	P	H	H*
010	CABLE, BATTERY, BLACK, 220 MM LG. (MANUFACTURE FROM QBA 904 OR USE QBA 009)	/NIL /NIL	1			
011	CABLE ASSY., EARTH, MODULE BATTERIES, 800 MM LG., BLACK. (INCLUDES QBA 003, QBA 012 AND QBA 902)	Z5394/BYG9029 Z5394/BYG9029	1			
012	CABLE, BATTERY, 720 MM LG. (MANUFACTURE FROM QBA 904 OR USE QBA 011)	/NIL /NIL	1			
902	LUG, CRIMP, COPPER, BATTERY EARTH CABLE TO CHASSIS, 42.1 MM LG., 14.3 MM W., 2.0 MM THK., 6.7 MM WIRE DIA. (ALSO PART OF QBA 011)	Z0220/H1414 Z0220/H1414	1			
013	BOLT, BATTERY EARTH CABLE TO CHASSIS, HEX. HD., 10 MM DIA., 80 MM LG., ZINC PLATED.	U1030/BH110161 Z5394/BH110161	1			
014	WASHER, NORMAL O.D., NORMAL THK., 10 MM I.D., ZINC PLATED.	U1030/WA110001 Z5394/WA110001	1			
015	NUT, PHILDAS, 10 MM DIA., 1.5 MM PITCH, MEDIUM TENSILE, STEEL, ZINC PLATED.	U1030/NV110041 Z5394/NV110041	1			
016	STRAP, TIEDOWN, ELECTRICAL COMPONENTS	5975 12-199-8964 Z3663/T50R Z5394/MYH1763	6	EA	X	LMH
017	TERMINAL ASSEMBLY, BATTERY. (INCLUDES QBA 018 TO QBA 021)	Z0764/MA14 Z5394/BYG9027	4			
018	BOLT, 5/16 IN. DIA., 1-1/16 IN. LG., WHITWORTH THD., SQUARE HD., STEEL, ZINC PLATED (USE QBA 017)	/NIL /NIL	1			
019	LUG, BRASS. (USE QBA 017)	/NIL /NIL	1			

ISSUE NO: 1 REPAIR PARTS SCALE : 02222 PAGE NO: 10

* GRADE OF REPAIR (LIGHT MEDIUM OR HEAVY)

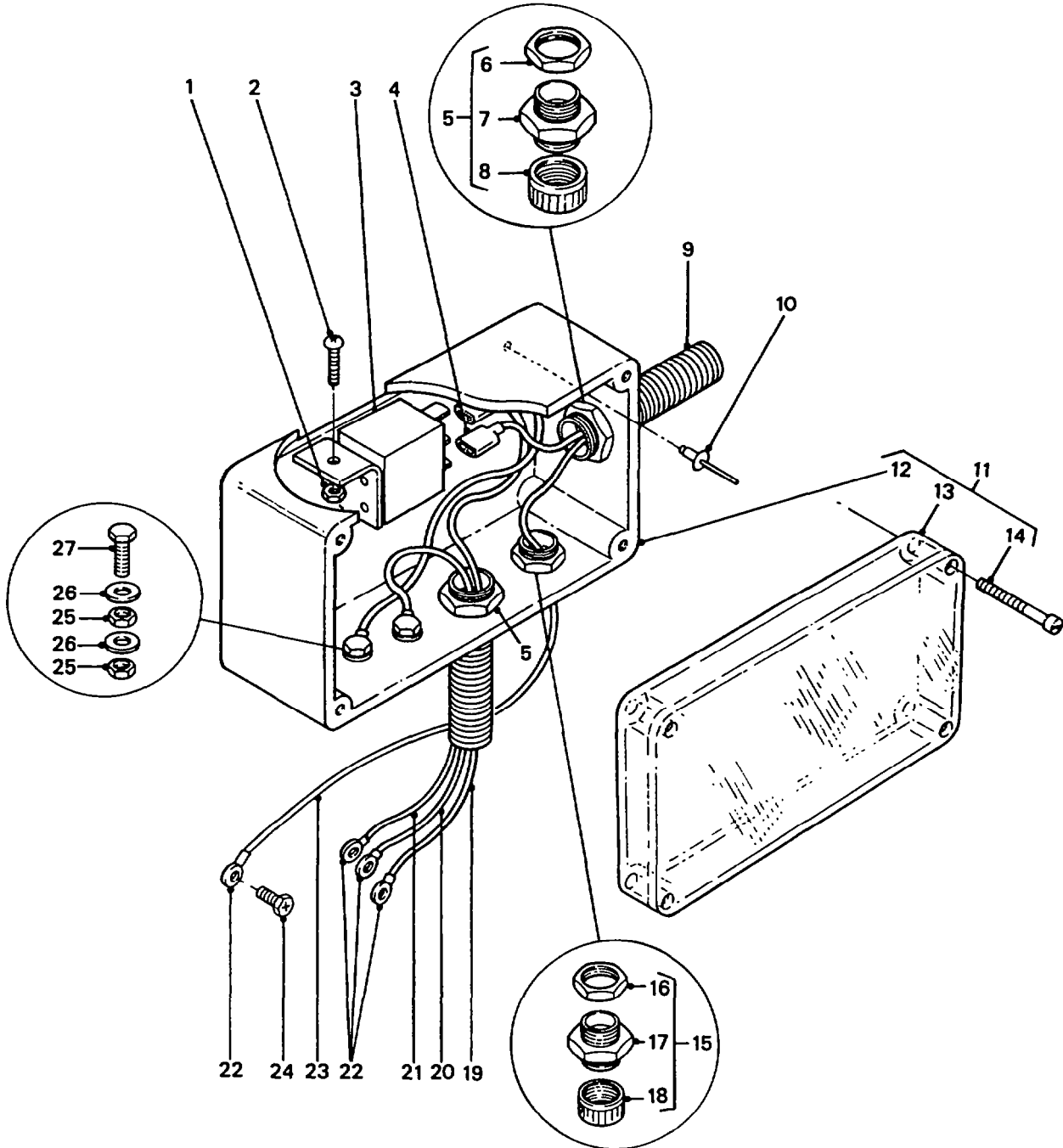


BATTERIES AND CABLES - MODULE

GROUP QBA
TITLE BATTERIES AND CABLES - MODULE

ITEM NO	DESIGNATION	NSN MANUFACTURER CODE/PART NO SUPPLIER CODE/PART NO	NO	U	E	L*
			OFF	O	X	M*
			I	P	H	H*
020	NUT, HEX., 5/16 IN. DIA., BRIGHT STEEL, ZINC PLATED. (USE QBA 017)	/NIL /NIL	1			
021	NUT, WING, 5/16 IN. THD. DIA., PLASTIC COVERED. (USE QBA 017)	/NIL /NIL	1			
903	CABLE, BATTERY, BULK, RED, BROWN AND SHARP STANDARD NO. 6, 30 M BULK LG. (ORDER BY DESCRIPTION, USED TO MANUFACTURE QBA 004)	Z0764/NIL Z0764/NIL	1			
904	CABLE, BATTERY, BULK, BLACK, BROWN AND SHARP STANDARD NO. 6, 30 M BULK LG. (ORDER BY DESCRIPTION, USED TO MANUFACTURE QBA 010 AND QBA 012)	Z0764/NIL Z0764/NIL	1			

* GRADE OF REPAIR (LIGHT MEDIUM OR HEAVY)



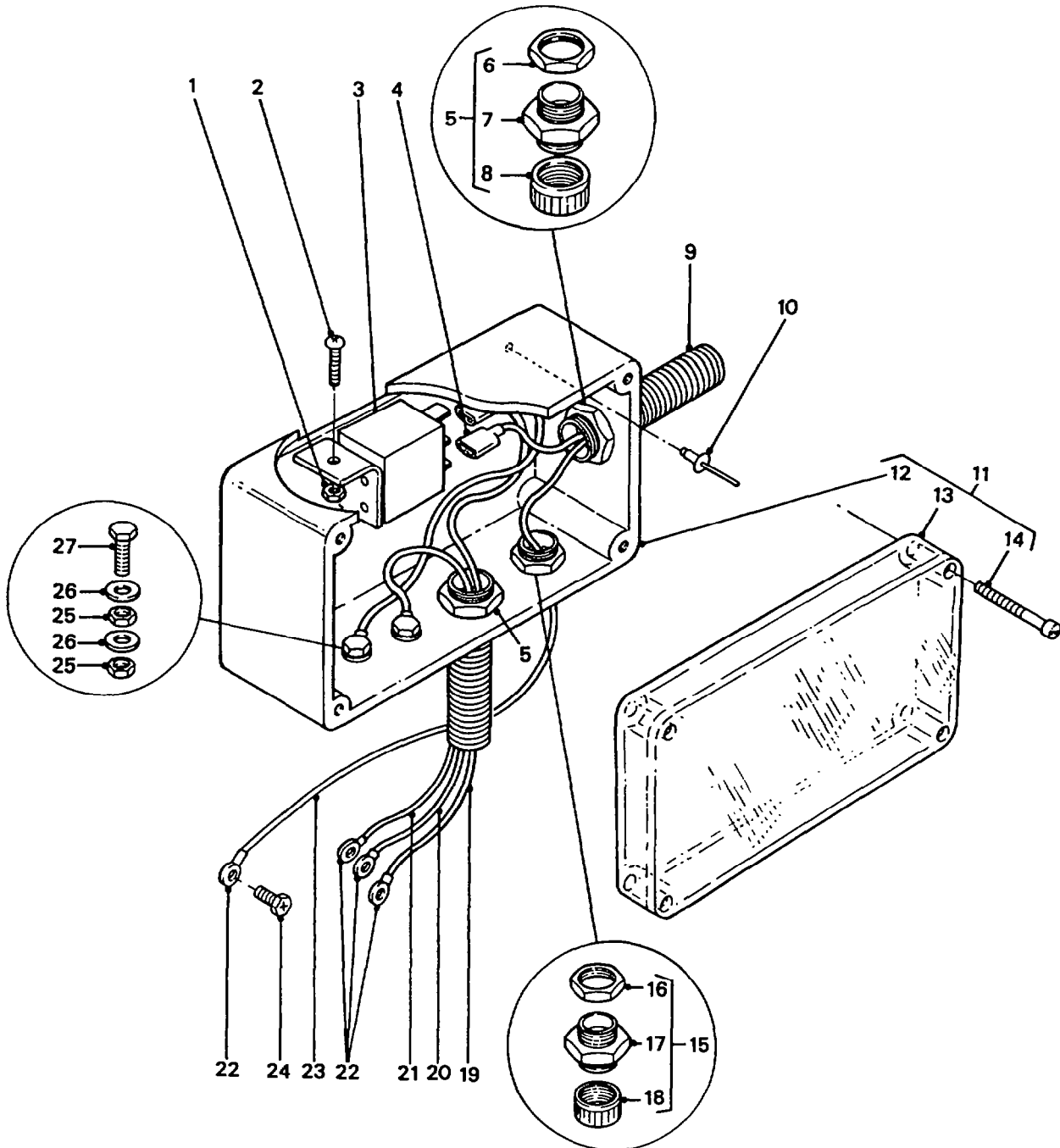
**JUNCTION BOX - BATTERY TO 24 VOLT
GENERATOR**

GROUP QBB
TITLE JUNCTION BOX - BATTERY TO 24 VOLT GENERATOR

ITEM NO	DESIGNATION	NSN MANUFACTURER CODE/PART NO SUPPLIER CODE/PART NO	NO OFF	U	E	L*
				O I	X P	M* H*
001	NUT, SELF-LOCKING, HEXAGON	U1030/NY106041 Z5394/NY106041	1			
002	SCREW, MACHINE, 6 MM BY 12 MM LG.	U1030/SE106121 Z5394/SE106121	1			
003	RELAY, ELECTROMAGNETIC VOLT, 70 AMP	5945 66-128-6028 Z0645/3084 Z5394/HYM113	1	EA	X	LMH
004	TERMINAL, CRIMP, 6.3 MM, FEMALE, PUSH ON.	Z0645/8201 Z5394/HYM114	2			
901	TERMINAL, CRIMP 9.5 MM, FEMALE, PUSH ON.	Z0645/8203 Z5394/HYM115	2			
005	GLAND ASSEMBLY, CORRUGATED CONDUIT, 20 MM, STRAIGHT. (INCLUDES QBB 006 TO QBB 008)	ZOH88/279C20 Z5394/HYM116	2			
006	NUT. (USE QBB 005)	/NIL /NIL	1			
007	BODY. (USE QBB 005)	/NIL /NIL	1			
008	UNION. (USE QBB 005)	/NIL /NIL	1			
009	CONDUIT, HFT CORRUGATED 20 MM GREY. (MANUFACTURE FROM QBB 902)	/NIL /NIL	1			
010	RIVET, POP, 4.8 MM DIA., 13 MM LG., ALUMINIUM	Z0549/73AS65 Z5394/HYL9945	2			
011	BOX ASSEMBLY, JUNCTION. (INCLUDES QBB 012 TO QBB 014)	Z0435/D65AT Z5394/HYM117	1			
012	BASE. (USE QBB 011)	/NIL /NIL	1			

ISSUE NO: 1 REPAIR PARTS SCALE : 02222 PAGE NO: 12

* GRADE OF REPAIR (LIGHT MEDIUM OR HEAVY)



JUNCTION BOX - BATTERY TO 24 VOLT GENERATOR

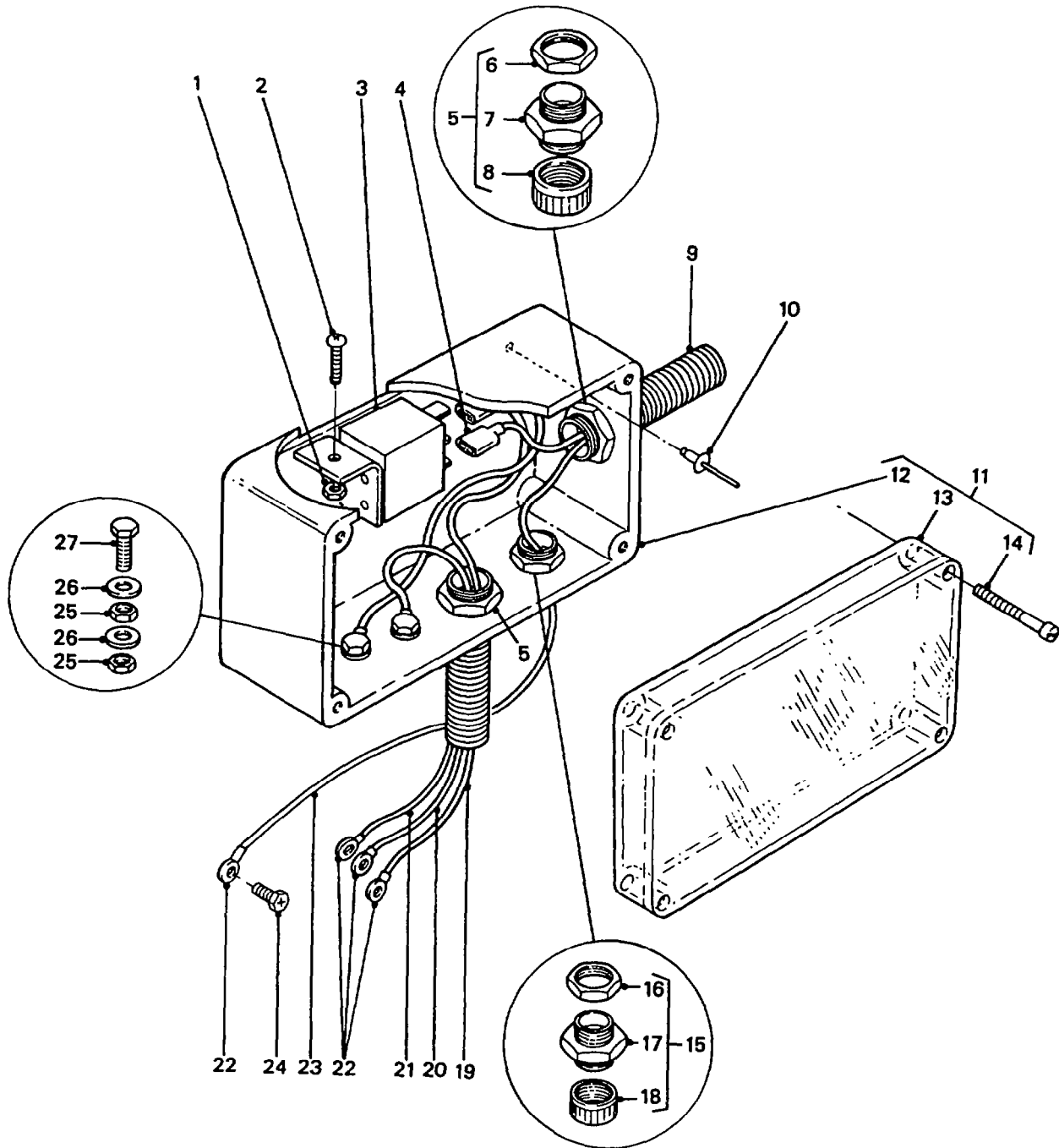
GROUP QBB

TITLE JUNCTION BOX - BATTERY TO 24 VOLT GENERATOR

ITEM NO	DESIGNATION	NSN MANUFACTURER CODE/PART NO SUPPLIER CODE/PART NO	NO OFF	U O	E X	L* M* H*
013	LID (USE QBB 011)	/NIL /NIL	1			
014	SCREW, PAN HD., 10 MM DIA., 25 MM LG., PLASTIC. (USE QBB 011)	/NIL /NIL	4			
015	GLAND ASSEMBLY, CABLE, 20 MM THD., 5.9 MM TO 12 MM CABLE DIA., STRAIGHT. (INCLUDES QBB 016 TO QBB 018)	ZOH88/282/20 Z5394/HYM118	1			
016	NUT. (USE QBB 015)	/NIL /NIL	1			
017	BODY. (USE QBB 015)	/NIL /NIL	1			
018	UNION. (USE QBB 015)	/NIL /NIL	1			
019	CABLE, 6 MM DIA., 1 M LG., RED. (MANUFACTURE FROM QBB 903)	/NIL /NIL	1			
020	CABLE, 6 MM DIA., 1 M LG., BLACK. (MANUFACTURE FROM QBB 904)	/NIL /NIL	1			
021	CABLE, 6 MM DIA., 1 M LG., WHITE. (MANUFACTURE FROM QBB 905)	/NIL /NIL	1			
022	TERMINAL, EYE, 8.4 MM, 5 MM TO 6 MM CABLE DIA., YELLOW.	Z0645/8547 Z5394/HYM119	3			
023	CABLE, EARTH, 6 MM DIA., 2 M LG., BLACK. (MANUFACTURE FROM QBB 904)	/NIL /NIL	1			
024	SCREW, SELF TAPPING, 8 MM DIA., 12 MM LG., WASHER HD.	ZOH88/357WH12 Z5394/HYM145	1			
025	NUT, 5/16 IN. I.D., BRASS.	ZR910/02047508 Z5394/HYM120	2			

ISSUE NO: 1 REPAIR PARTS SCALE : 02222 PAGE NO: 13

* GRADE OF REPAIR (LIGHT MEDIUM OR HEAVY)

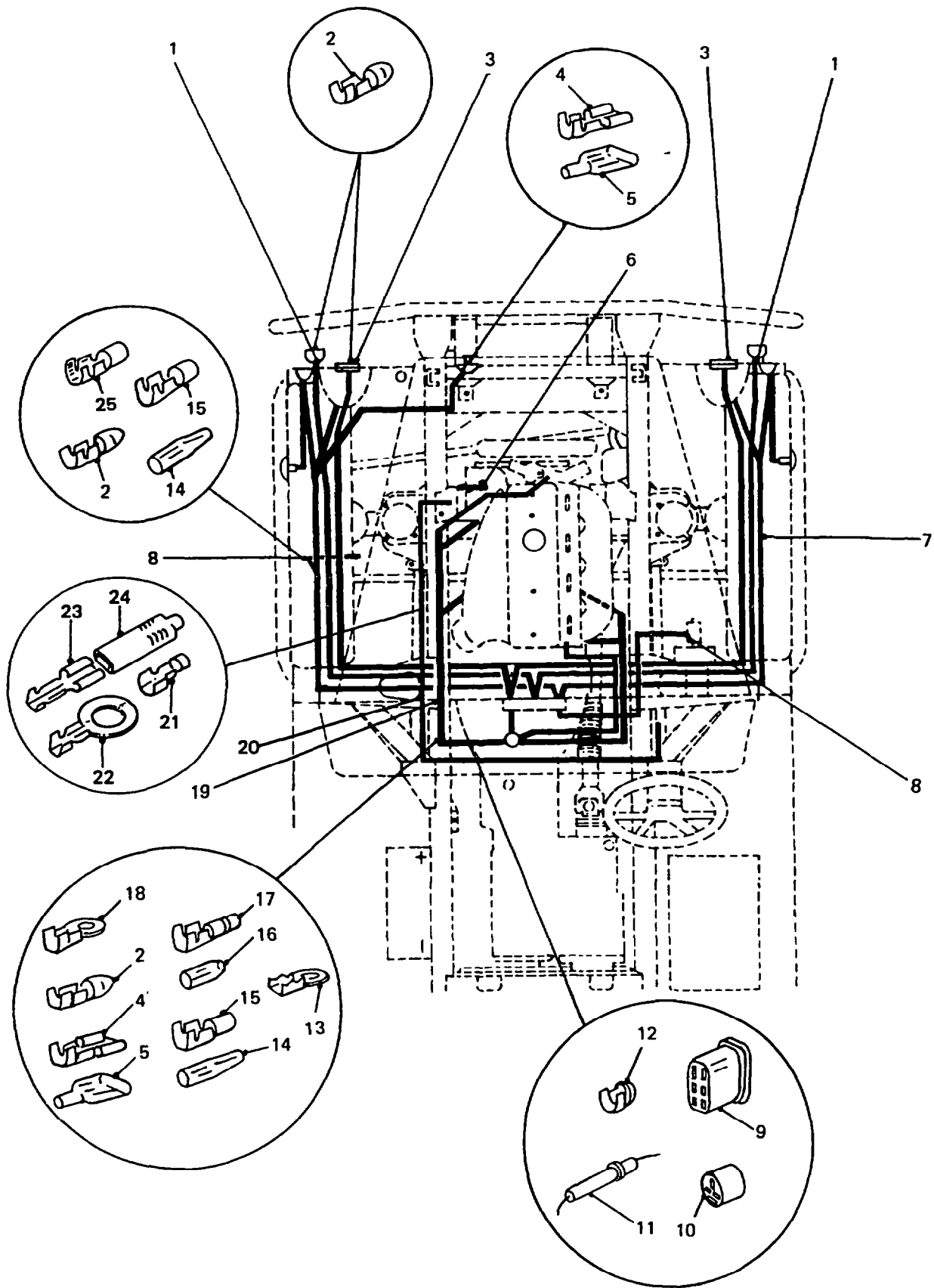


**JUNCTION BOX - BATTERY TO 24 VOLT
GENERATOR**

GROUP QBB
TITLE JUNCTION BOX - BATTERY TO 24 VOLT GENERATOR

ITEM NO	DESIGNATION	NSN MANUFACTURER CODE/PART NO SUPPLIER CODE/PART NO	NO OFF	U O	E X	L* M* H*
026	WASHER, FLAT, 5/16 IN. I.D.	ZR910/02057200 Z5394/HYM121	4			
027	SCREW, RECESSED COUNTERSUNK HD., 5/16 IN. DIA., 1 IN. LG., BRASS.	ZR910/01289707 Z5394/HYM122	2			
902	CONDUIT, HFT CORRUGATED, 20 MM DIA., 10 M BULK LG., GREY, SINGLE CORE. (USE AS REQUIRED)	ZOH88/9020CHF ZOH88/9020CHF	1			
903	CABLE, 6 MM DIA., 30 M BULK LG., 65/0.3, 4.59 MM SQUARE, RED, SINGLE CORE. (USE AS REQUIRED)	Z0645/8826 Z0645/8826	1			
904	CABLE, 6 MM DIA., 30 M BULK LG., 65/0.3, 4.59 MM SQUARE, BLACK, SINGLE CORE. (USE AS REQUIRED)	Z0645/8825 Z0645/8825	1			
905	CABLE, 6 MM DIA., 30 M BULK LG., 65/0.32, 5 MM SQUARE, VEA-S65-BZC, SINGLE CORE, WHITE. (ORDER BY DESCRIPTION, USE AS REQUIRED)	Z3987/NIL Z3987/NIL	1			

* GRADE OF REPAIR (LIGHT MEDIUM OR HEAVY)



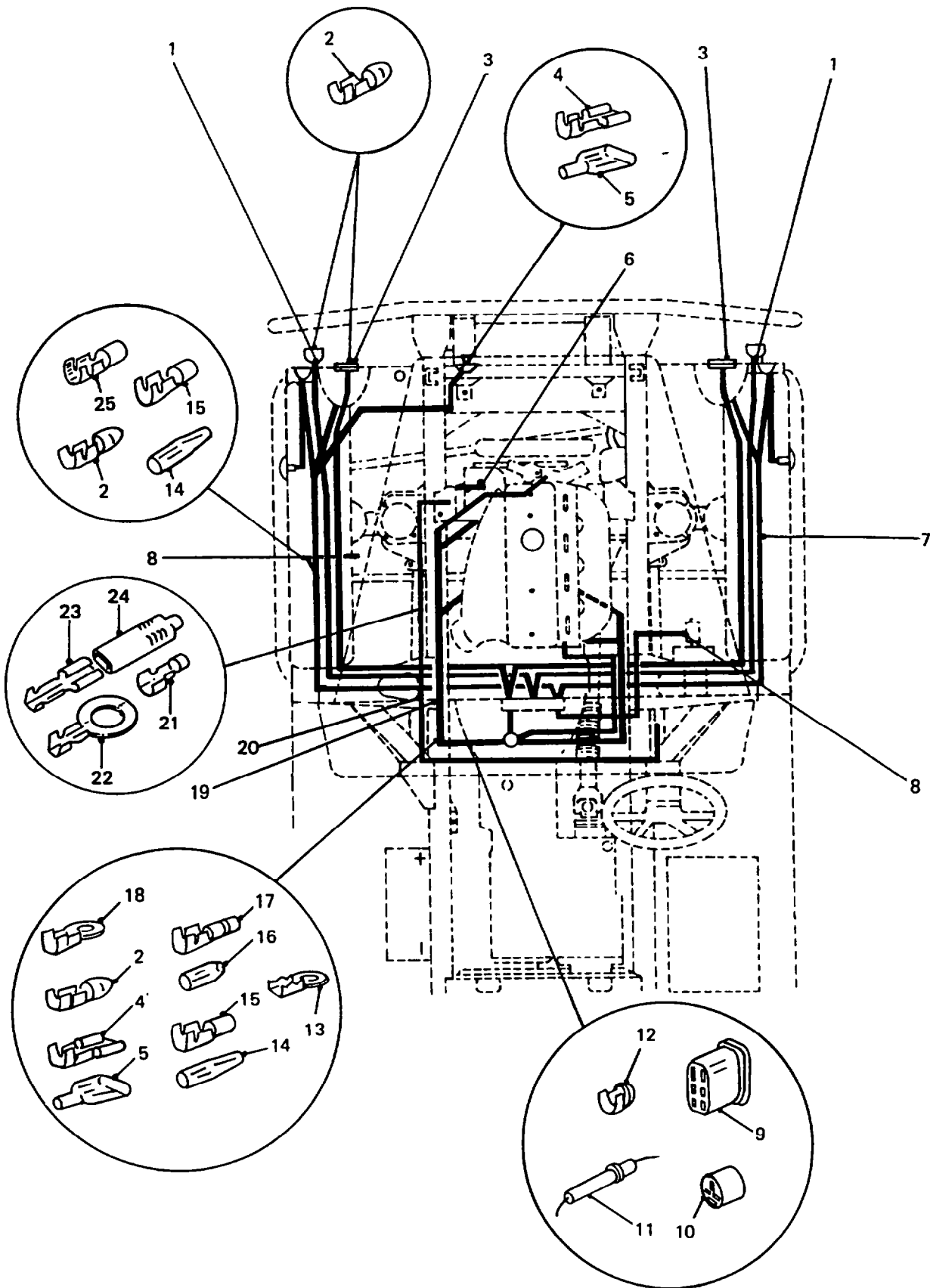
**FRONT WIRING HARNESSES
AND FITTINGS**

GROUP QC
TITLE FRONT WIRING HARNESSSES AND FITTINGS

ITEM NO	DESIGNATION	NSN MANUFACTURER CODE/PART NO SUPPLIER CODE/PART NO	NO OFF	U	E	L*
				O	X	M*
				I	P	H*
001	HARNESS, REDUCED HEADLAMP TO SWITCH, SINGLE CABLE, RED WITH BLUE TRACER, 9/0.3 WIRE SIZE. (MODIFIED VIDE EMEI VEH. G 189-2)	Z5394/AYG9762 Z5394/AYG9762	1			
002	FERRULE, ELECTRICAL CONDUCTOR BULLET, BRASS, CRIMP, 12.7 MM LG, 4.7 MM OD (ALSO PART OF QC 001, QC 008, QC 019 AND QC 904)	5940 66-128-4737 Z0220/H2721 Z5394/MYH2565	7	EA	X	LMH
003	HARNESS ASSEMBLY, BLACKOUT LAMP EXTENSION, SINGLE CABLE, RED WITH BLUE TRACER, 9/0.3 WIRE SIZE, 300 MM LENGTH. (INCLUDES QC 901 TO QC 903)	Z5394/AYG9741 Z5394/AYG9741	2			
901	SHELL (ALSO PART OF QC 003)	51831/8338561 51831/8338561	2			
902	TERMINAL (ALSO PART OF QC 003)	51831/8338564 51831/8338564	2			
903	SLEEVE. (ALSO PART OF QC 003)	51831/8338362 51831/8338362	2			
004	TERMINAL, QUICK DISCONNECT 20 AMP, 0.766 IN. LG (ALSO PART OF QC 001, QC 019 AND QC 904)	5940 66-033-2813 Z0220/H1072 Z0220/H1072	1	EA	X	LMH
005	CABLE NIPPLE, ELECTRICAL (ALSO PART OF QC 001 AND QC 019)	5975 66-065-2592 Z0220/H1135 Z0220/H1135	1	EA	X	LMH
006	STRIP, ELECTRICAL GROUNDING COPPER BRAID, 125 MM L X 12 MM W, W/10 MM HOLE	5999 66-128-4899 Z5394/AYG9597 Z5394/AYG9597	1	EA	X	LMH
007	HARNESS ASSEMBLY, MAIN (REFER QH 001)	/NIL /NIL	1			
008	HARNESS ASSEMBLY, BRAKE PAD WEAR INDICATOR (INCLUDES QC 002, QC 014, QC 015 AND QC 025)	Z5394/AYG9700 Z5394/AYG9700	1			

ISSUE NO: 1 REPAIR PARTS SCALE : 02222 PAGE NO: 15

* GRADE OF REPAIR (LIGHT MEDIUM OR HEAVY)



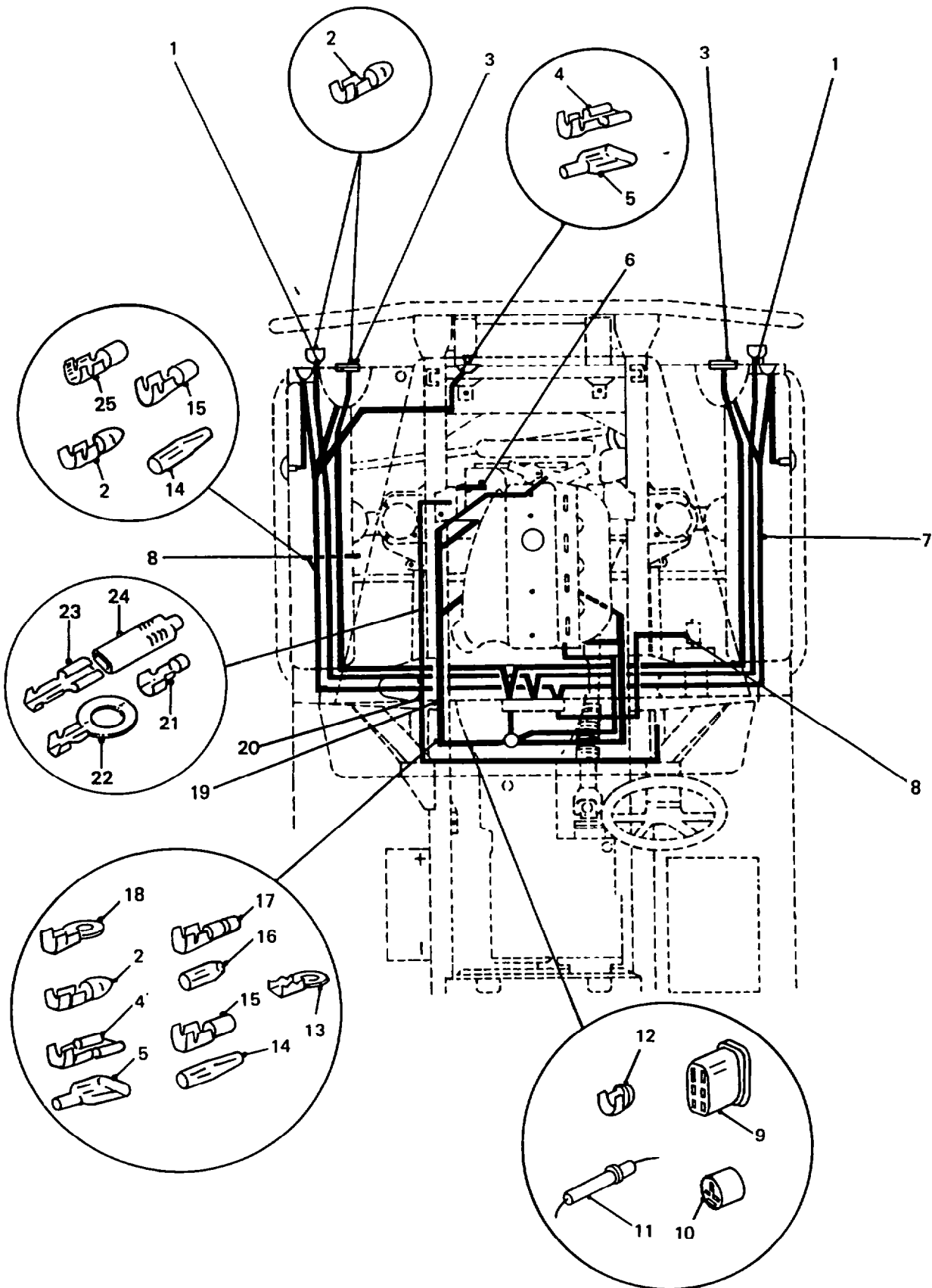
FRONT WIRING HARNESSES AND FITTINGS

GROUP QC
TITLE FRONT WIRING HARNESSSES AND FITTINGS

ITEM NO	DESIGNATION	NSN MANUFACTURER CODE/PART NO SUPPLIER CODE/PART NO	NO OFF	U	E	L*
				O	X	M*
				I	P	H*
009	CONNECTOR, 6-WAY. (ALSO PART OF QC 019 AND QC 904)	Z0220/H3326-6 Z0220/H3326-6	1			
010	CONNECTOR, 3-WAY. (USE QC 019)	/NIL /NIL	1			
011	FUSEHOLDER (ALSO PART OF QC 019 AND QC 904)	5920 66-099-7499 Z0220/H116 Z0220/H116	1	EA	X	LMH
012	TERMINAL, LUG (ALSO PART OF QC 019 AND QC 904)	5940 66-076-3628 Z0220/H1397 Z0220/H1397	2	EA	X	LMH
013	TERMINAL, LUG SOLDERLESS, 1.218 IN. LG., 0.688 IN. WW. , 0.375 IN. DIA. MTG HOLE (ALSO PART OF QC 019 AND QC 904)	5940 66-017-9957 Z0220/H236D Z0220/H236D	3	EA	X	LMH
014	INSULATION SLEEVING, ELECTRICAL, SPECIAL PURPOSE PVC, CLEAR, 33.0 MM LG., 4.6 MM OD (ALSO PART OF QC 008, QC 019 AND QC 904)	5970 66-128-4715 Z0220/H2806 Z0220/H2806	3	EA	X	LMH
015	TERMINAL, QUICK DISCONNECT (ALSO PART OF QC 008, QC 019 AND QC 904)	5940 66-102-4112 Z0220/H2743 Z0220/H2743	3	EA	X	LMH
016	INSULATOR, TERMINAL, PVC, CLEAR, 14 MM LENGTH, 5 MM O.D. (ALSO PART OF QC 019 AND QC 904)	Z0220/H2805 Z0220/H2805	1			
017	FERRULE, ELECTRICAL CONDUCTOR BULLET, BRASS, CRIMP, 17.0 MM LG (ALSO PART OF QC 019 AND QC 904)	5940 66-128-4738 Z0220/H2782 Z0220/H2782	1	EA	X	LMH
018	TERMINAL, LUG (ALSO PART OF QC 019 AND QC 904)	5940 66-096-4592 Z0220/H1863 Z0220/H1863	1	EA	X	LMH
019	WIRING HARNESS, ENGINE BARREL FUSES. (MODIFIED VIDE EMEI VEH. G 189-2)	Z5394/AYG9849 Z5394/AYG9849	1			

ISSUE NO: 1 REPAIR PARTS SCALE : 02222 PAGE NO: 16

* GRADE OF REPAIR (LIGHT MEDIUM OR HEAVY)



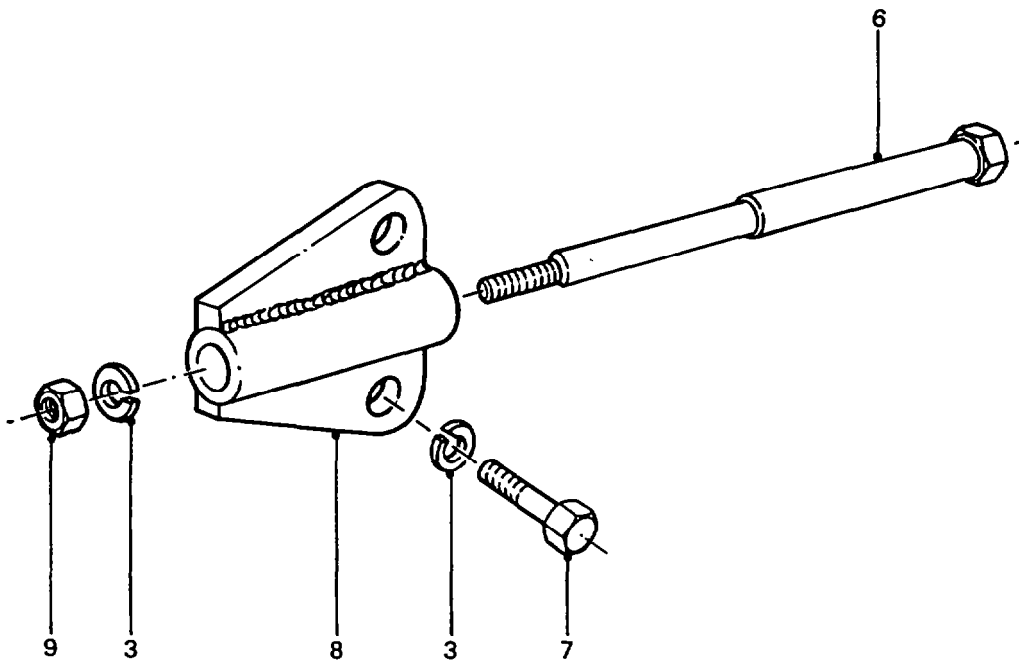
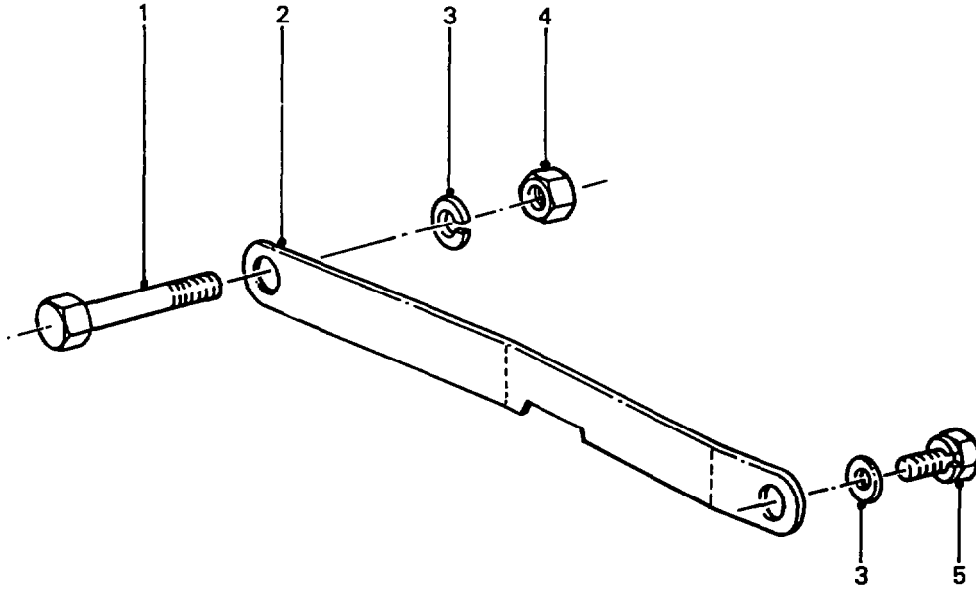
**FRONT WIRING HARNESSES
AND FITTINGS**

GROUP QC
TITLE FRONT WIRING HARNESSSES AND FITTINGS

ITEM NO	DESIGNATION	NSN MANUFACTURER CODE/PART NO SUPPLIER CODE/PART NO	NO OFF	U	E	L*
				O	X	M*
				I	P	H*
904	WIRING HARNESS ENGINE (BLADE FUSES, MODIFIED VIDE EMEI VEH. G 189-2)	6150 66-128-4900 Z5394/BYG9114 Z5394/BYG9114	1	EA	A	MH
020	HARNESS ASSY., 24V GENERATOR TO WARNING LIGHT AND VOLTMETER. (INCLUDES QC 021 TO QC 024)	Z5394/BYG9031 Z5394/BYG9031	1			
021	TERMINAL, BULLET, BRASS, NATURAL, 12.7 MM LG., 4.8 MM O.D. (ALSO PART OF QC 020)	Z0220/H2721 Z0220/H2721	2			
022	TERMINAL, EYE, BRASS, NATURAL FINISH, 24.6 MM LG., 12.7 MM W. (ALSO PART OF QC 020)	Z0220/H1864 Z0220/H1864	1			
023	TERMINAL, QUICK DISCONNECT 20 AMP, 0.766 IN. LG (ALSO PART OF QC 020)	5940 66-033-2813 Z0220/H1072 Z0220/H1072	4	EA	X	LMH
024	INSULATOR, TERMINAL, PVC., BLACK, 27.8 MM LG., 9.5 MM W., 5.5 MM THK. (ALSO PART OF QC 020)	Z0220/H1135 Z0220/H1135	4			
025	TERMINAL, QUICK DISCONNECT CRIMP, COPPER ALLOY, RECEPTACLE, 23.4 MM LG., 4.6 MM ID (ALSO PART OF QC 008)	5940 66-128-4714 Z0220/H1286 Z0220/H1286	1	EA	X	LMH

ISSUE NO: 1 REPAIR PARTS SCALE : 02222 PAGE NO: 17

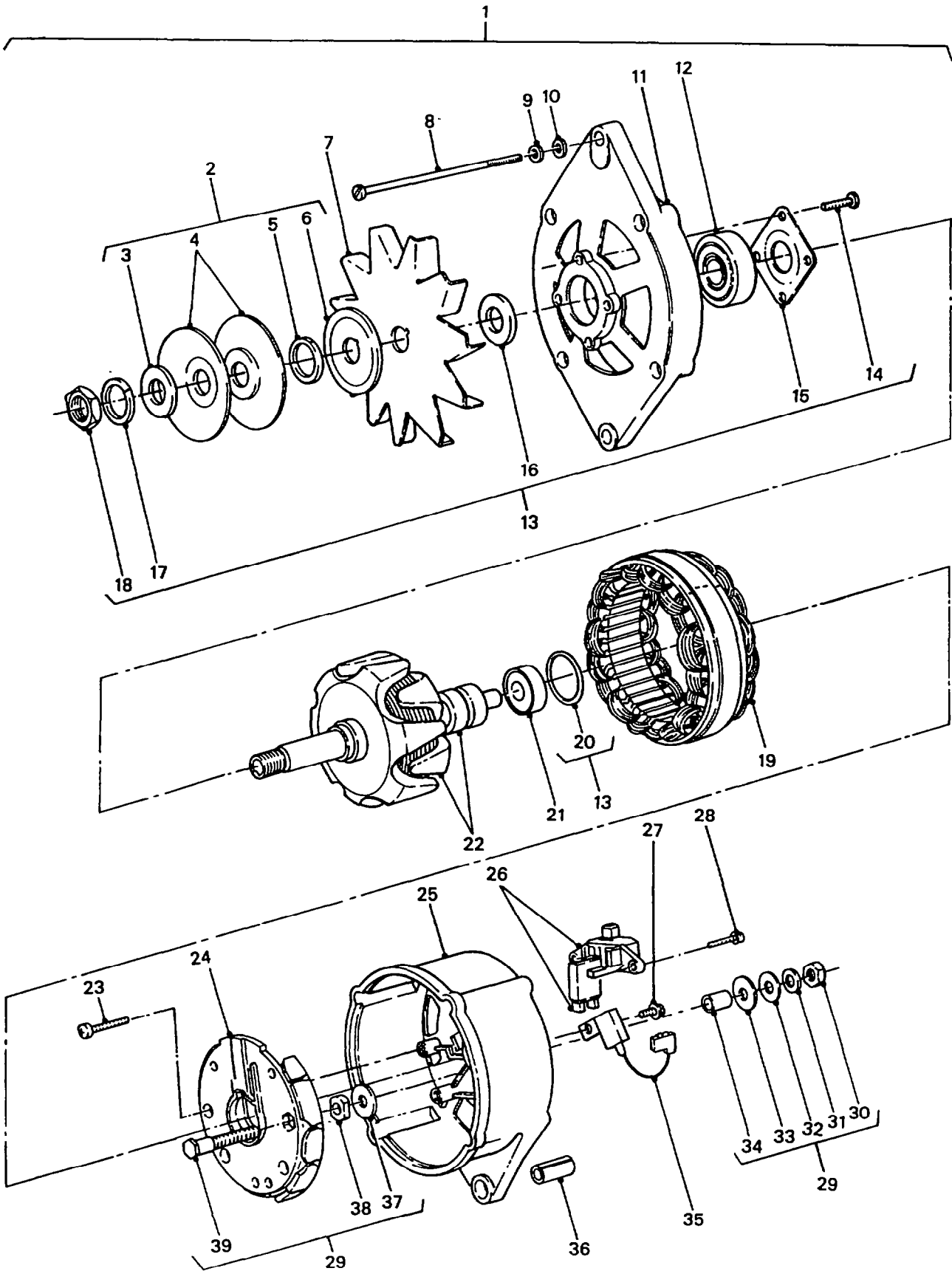
* GRADE OF REPAIR (LIGHT MEDIUM OR HEAVY)



GROUP QGB
TITLE GENERATOR MOUNTINGS - 24 VOLT

ITEM NO	DESIGNATION	NSN MANUFACTURER CODE/PART NO SUPPLIER CODE/PART NO	NO OFF	U	E	L*
				O	X	M*
				I	P	H*
001	BOLT, HEX. HD., 10 MM DIA., 125 MM LG., ZINC PLATED	U1030/BH110251 Z5394/BH110251	1			
002	LINK, GENERATOR ADJUSTING, 22 MM W., 5 MM THK., 160 MM LG., STEEL, ZINC PLATE AND IRRIDESCENT PASSIVATE.	Z5394/AYG0508 Z5394/AYG0508	1			
003	WASHER, LOCK, SPRING, STEEL, SINGLE TURN, ZINC PLATED, 10 MM, 15.90 MM O.D., 2.50 MM THK.	U1030/WL110001 Z5394/WL110001	5			
004	NUT, PLAIN, HEXAGON, ISO METRIC, 6H, GRADE 8, STEEL, CAD PLATED AND PASSIVATED, 10 MM DIA., 16 MM W. A/F, 8 MM H. O/A	Z5394/WH110041 Z5394/WH110041	1			
005	SCREW, HEX. HD., MED. TENSILE, 10 MM DIA., 20 MM LG., FINE THD., ZINC PLATED.	U1030/SH210201 Z5394/SH210201	1			
006	BOLT, SHOULDERED, 10 MM THD. DIA., 1.25 MM PITCH, 210 MM LG., 19 MM A/F, STEEL	Z5394/AYG509 Z5394/AYG509	1			
007	SCREW, HEX. HD., MED. TENSILE, 10 MM DIA., 25 MM LG., FINE THD., ZINC PLATED	U1030/SH210251 Z5394/SH210251	2			
008	BRACKET, 24V GENERATOR MOUNTING.	Z5394/AYG507 Z5394/AYG507	1			
009	NUT, 10 MM I.D., 4 MM THK., FINE THD., ZINC PLATED.	U1030/NT210041 Z5394/NT210041	1			

* GRADE OF REPAIR (LIGHT MEDIUM OR HEAVY)



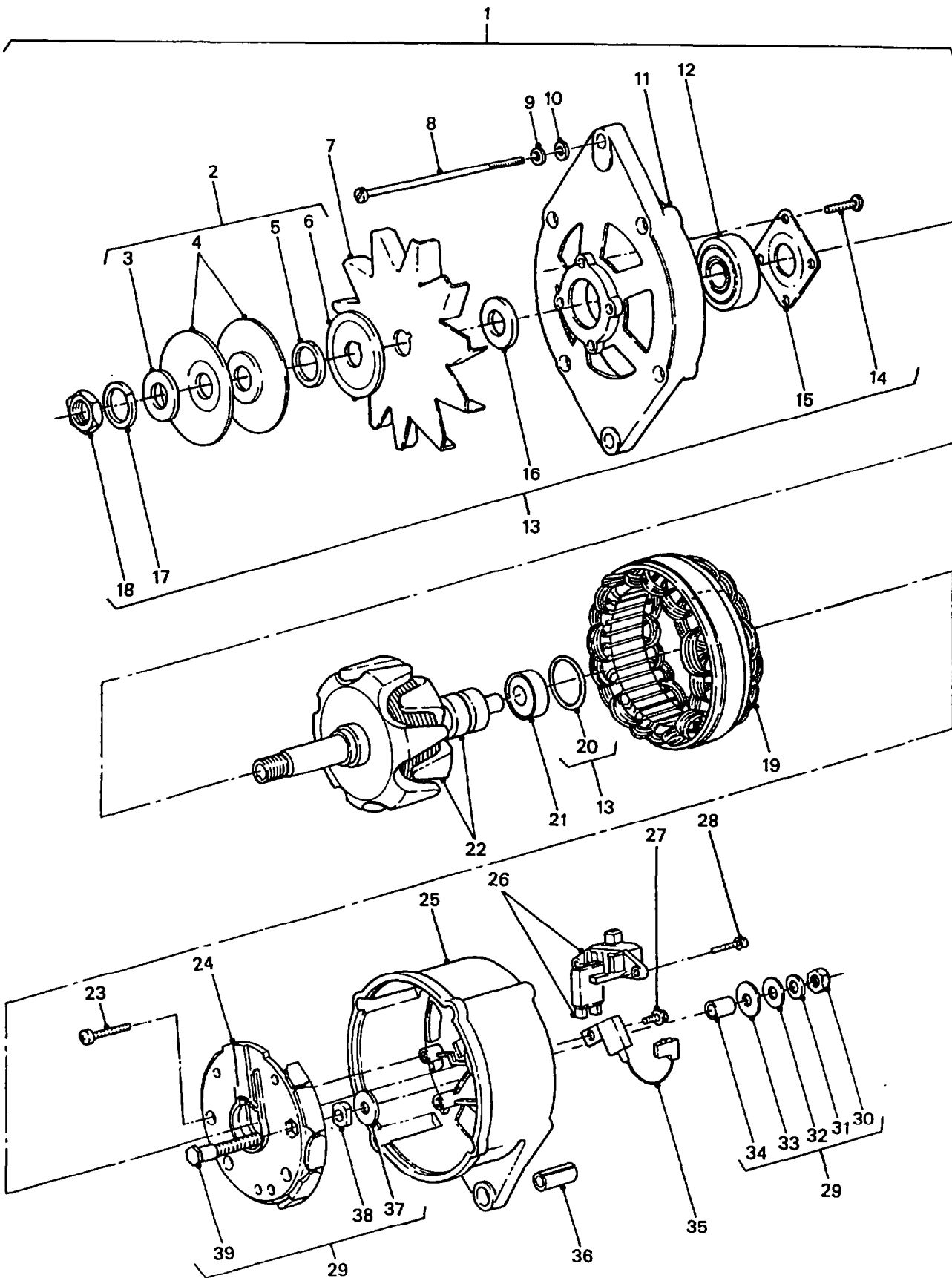
**GENERATOR, ENGINE ACCESSORY
55 AMP, 24 VOLT DC**

GROUP QGC

TITLE GENERATOR, ENGINE ACCESSORY 55 AMP, 24 VOLT DC

ITEM NO	DESIGNATION	NSN MANUFACTURER CODE/PART NO SUPPLIER CODE/PART NO	NO OFF	U O	E X	L* M* H*
001	GENERATOR, ENGINE ACCESSORY 24 VOLT, 70 AMP (INCLUDES QGC 002 TO QGC 039)	2920 66-128-6038 Z0666/BXU2455 Z5394/AYG498	1	A		LMH
002	PULLEY AND SPACER ASSEMBLY C/O FLAT WASHER, LARGE & SMALL SPACER & SPLIT PULLY (INCLUDES QGC 003 TO QGC 006)	3020 66-128-6040 Z0666/9 121 067 056 Z5394/HYL9519	1	E	X	LMH
003	WASHER, FLAT. (USE QGC 002)	/NIL /NIL	1			
004	PULLEY, SPLIT, GENERATOR. (USE QGC 002)	/NIL /NIL	2			
005	SPACER, SMALL. (USE QGC 002)	/NIL /NIL	1			
006	SPACER, LARGE. (USE QGC 002)	/NIL /NIL	1			
007	IMPELLER, FAN, AXIAL	6115 66-128-6047 Z0666/1 126 610 060 Z5394/HYL9516	1	E	X	LMH
008	SCREW, MACHINE	5305 66-128-6048 Z0666/1 123 429 108 Z5394/HYL9508	4	E	X	MH
009	WASHER, LOCK.	Z0666/2 916 690 004 Z5394/HYL9506	4			
010	WASHER, FLAT.	Z0666/2 916 011 011 Z5394/HYL9507	4			
011	COVER, FRONT ALTERNATOR	2920 66-128-6052 Z0666/9 122 065 828 Z5394/HYL9497	1	E	X	MH
012	BEARING, BALL, ANNULAR	3110 00-554-3238 Z0666/1 900 905 376 Z5394/HYL9498	1	E	X	MH

* GRADE OF REPAIR (LIGHT MEDIUM OR HEAVY)



**GENERATOR, ENGINE ACCESSORY
55 AMP, 24 VOLT DC**

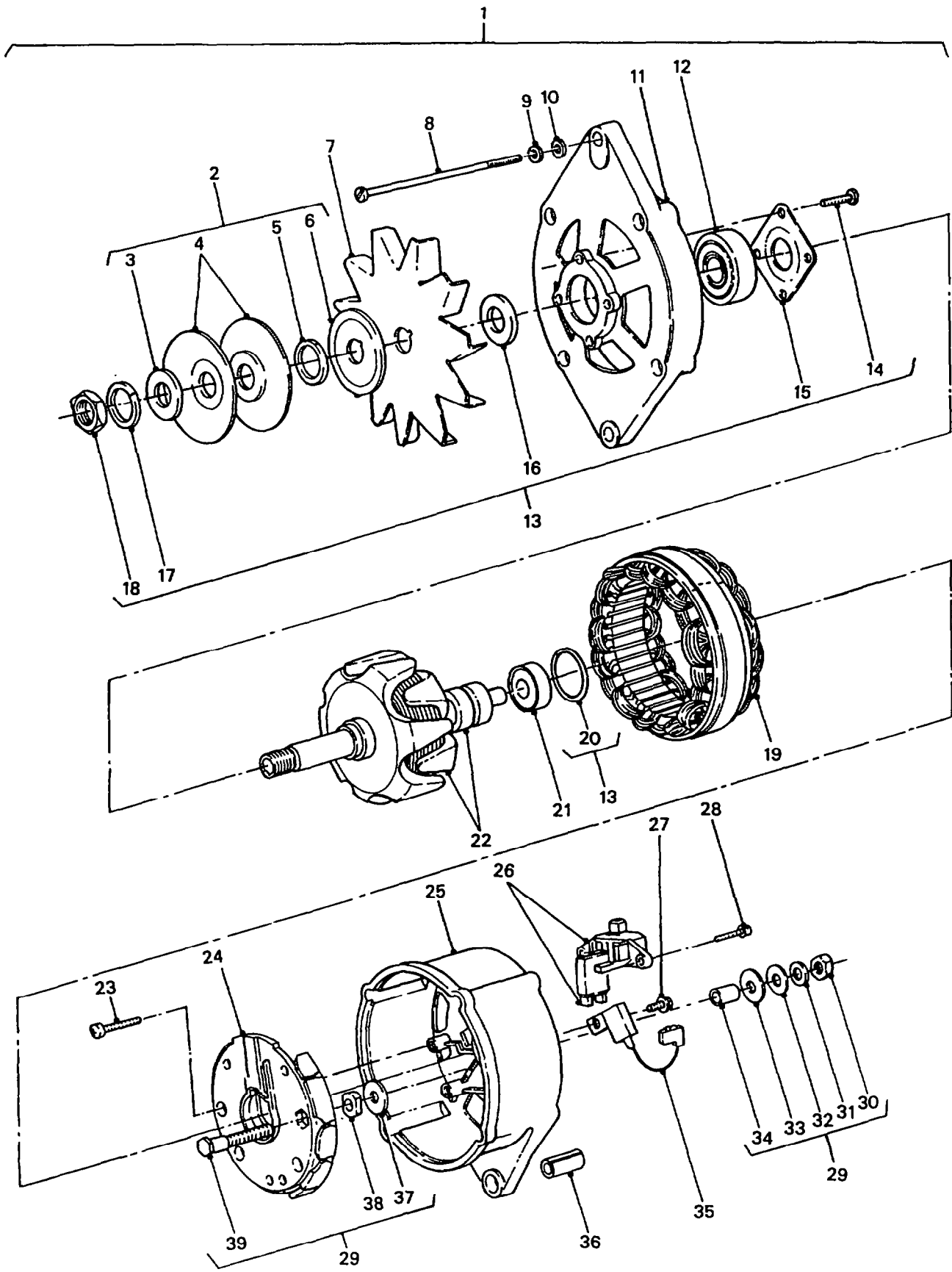
GROUP QGC

TITLE GENERATOR, ENGINE ACCESSORY 55 AMP, 24 VOLT DC

ITEM NO	DESIGNATION	NSN MANUFACTURER CODE/PART NO SUPPLIER CODE/PART NO	NO	U	E	L*	
			OFF	O	X	M*	
			I	P	H	H*	
013	KIT, ROTOR, SMALL PARTS INCLUDES SCREW, RETAINER, SPACER, WASHER, NUT AND "O" RING (INCLUDES QGC 014 TO QGC 018 AND QGC 020)	2920 66-128-6205 Z0666/9 121 067 064 Z5394/HYL9517	1	K	T	X	MH
014	SCREW. (USE QGC 013)	/NIL /NIL	1				
015	RETAINER. (USE QGC 013)	/NIL /NIL	1				
016	SPACER. (USE QGC 013)	/NIL /NIL	1				
017	WASHER. (USE QGC 013)	/NIL /NIL	1				
018	NUT. (USE QGC 013)	/NIL /NIL	1				
019	STATOR, ENGINE GENERATOR	2920 66-128-6206 Z0666/9 121 064 244 Z5394/HYL9505	1	E	A	X	MH
020	'O' RING (USE QGC 013)	/NIL /NIL	1				
021	BEARING, BALL, ANNULAR	3110 00-203-4103 Z0666/1 900 905 275 Z5394/HYL9500	1	E	A	X	MH
022	ROTOR ASSEMBLY ALTERNATOR	2920 66-128-6053 Z0666/9 121 064 030 Z5394/HYL9499	1	E	A	X	MH
023	SCREW.	Z0666/1 123 433 005 Z5394/HYL9503	3				
024	RECTIFIER, SEMICONDUCTOR DEVICE, UNITIZED ALTERNATOR BXU 2455	5961 66-128-6054 Z0666/9 121 067 381 Z5394/HYL9502	1	E	A	X	MH
025	COVER, REAR.	Z0666/9 122 065 829 Z5394/HYL9501	1				

ISSUE NO: 1 REPAIR PARTS SCALE : 02222 PAGE NO: 20

* GRADE OF REPAIR (LIGHT MEDIUM OR HEAVY)



**GENERATOR, ENGINE ACCESSORY
55 AMP, 24 VOLT DC**

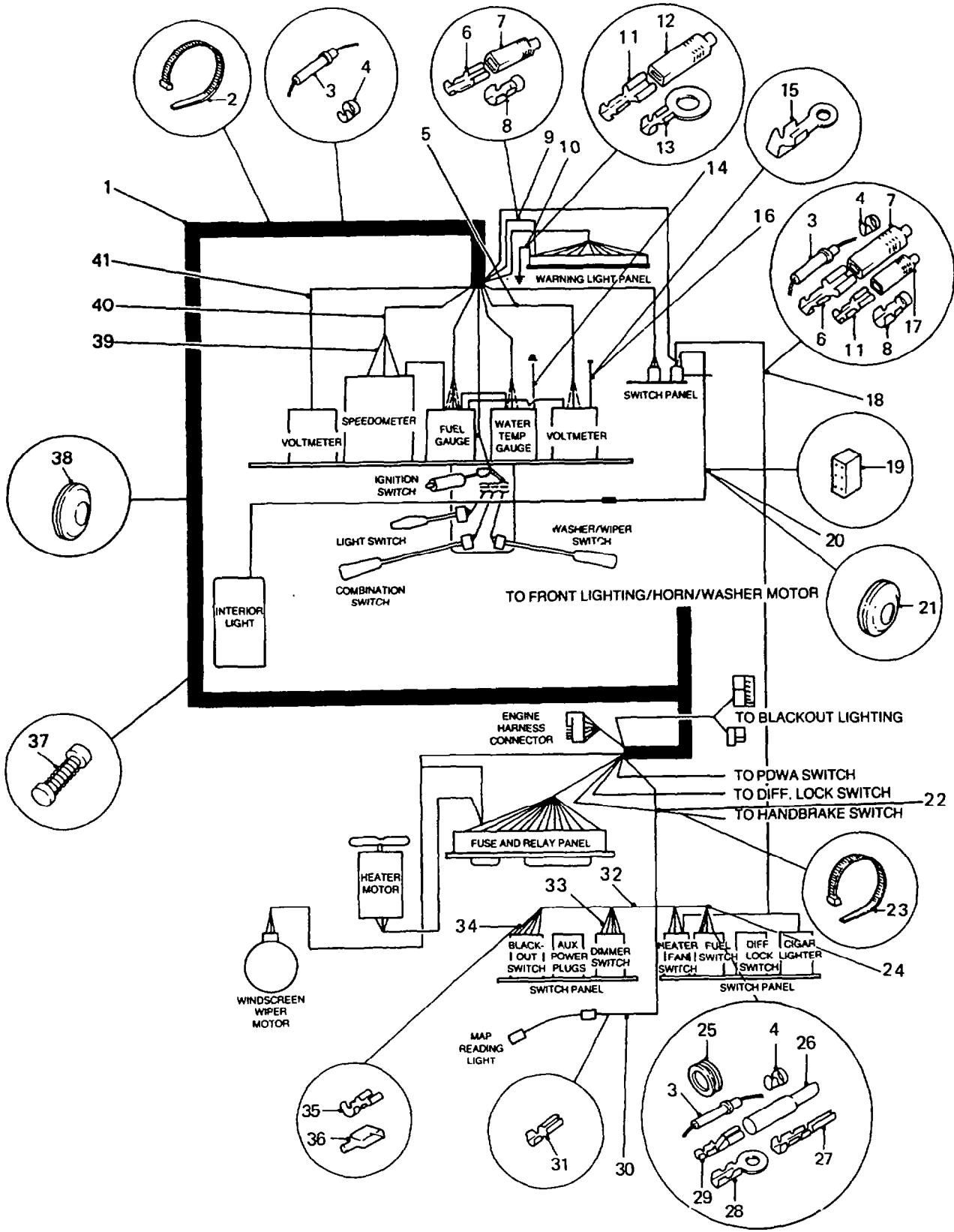
GROUP QGC

TITLE GENERATOR, ENGINE ACCESSORY 55 AMP, 24 VOLT DC

ITEM NO	DESIGNATION	NSN MANUFACTURER CODE/PART NO SUPPLIER CODE/PART NO	NO OFF	U O I	E X P	L* M* H*
026	REGULATOR, ENGINE GENERATOR 24 VOLT	2920 66-128-6055 Z0666/1 197 311 307 Z5394/HYL9504	1	EA	X	MH
027	SCREW.	Z0666/9 121 063 423 Z5394/HYL9514	1			
028	SCREW.	Z0666/1 123 433 007 Z5394/HYL9510	2			
029	KIT, TERMINAL. (INCLUDES QGC 030 TO QGC 034 AND QGC 037 TO QGC 039)	Z0666/9 121 067 063 Z5394/HYL9518	1			
030	NUT. (USE QGC 029)	/NIL /NIL	1			
031	WASHER. (USE QGC 029)	/NIL /NIL	1			
032	WASHER. (USE QGC 029)	/NIL /NIL	1			
033	WASHER. (USE QGC 029)	/NIL /NIL	1			
034	SPACER. (USE QGC 029)	/NIL /NIL	1			
035	CAPACITOR, FIXED, PAPER DIELECTRIC	5910 66-128-6059 Z0666/9 121 067 352 Z5394/HYL9515	1	EA	X	MH
036	SLEEVE, SPLIT.	Z0666/9 121 060 316 Z5394/HYL9511	1			
037	WASHER, FLAT. (USE QGC 029)	/NIL /NIL	1			
038	SPACER. (USE QGC 029)	/NIL /NIL	1			
039	BOLT. (USE QGC 029)	/NIL /NIL	1			

ISSUE NO: 1 REPAIR PARTS SCALE : 02222 PAGE NO: 21

* GRADE OF REPAIR (LIGHT MEDIUM OR HEAVY)

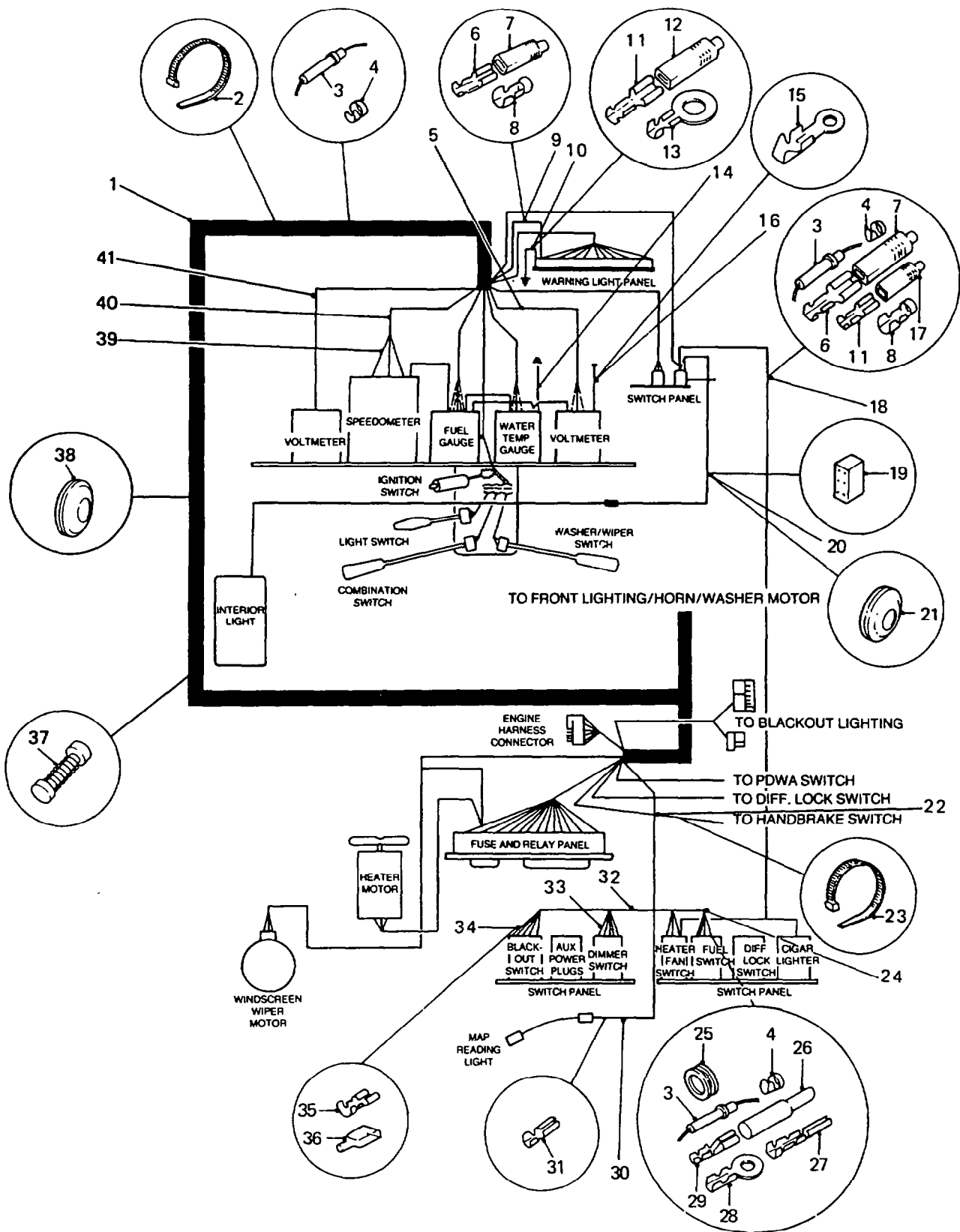


CAB WIRING AND FITTINGS

GROUP QH
TITLE CAB WIRING AND FITTINGS

ITEM NO	DESIGNATION	NSN MANUFACTURER CODE/PART NO SUPPLIER CODE/PART NO	NO OFF	U O	E X	L* M* H*
001	MAIN HARNESS ASSEMBLY BARREL FUSES. (MODIFIED VIDE EMEI VEH. G 189-2)	U1030/PRC6757 Z5394/PRC6757	1			
901	MAIN HARNESS ASSEMBLY BLADE FUSES. (MODIFIED VIDE EMEI VEH. G 189-2)	Z5394/PRC7850 Z5394/PRC7850	1			
902	MAIN HARNESS ASSEMBLY BLADE FUSES WITH HEADLIGHT RELAY LINK CABLE. (MODIFIED VIDE EMEI VEH. G 189-2)	Z5394/PRC8244 Z5394/PRC8244	1			
903	MAIN HARNESS ASSEMBLY BLADE FUSES WITH WIPER DELAY RELAY. (MODIFIED VIDE EMEI VEH. G 189-2)	Z5394/PRC8384 Z5394/PRC8384	1			
002	STRAP, CABLE TIE, HARNESS TO INNER DASH PANEL, 8 MM W., 140 MM LG.	U1030/AAU3686 Z5394/AAU3686	2			
003	FUSEHOLDER (ALSO PART OF QH 001, QH 901, QH 902, QH 903, QH 018, QH 913, QH 024 AND QH 918)	5920 66-099-7499 Z0220/H116 Z5394/H116	4	EA	X	LMH
004	TERMINAL, LUG CRIMP, BRASS, 6.8 MM LG, 5.2 MM W, 0.4 MM THK (ALSO PART OF QH 001, QH 901, QH 902, QH 903, QH 018, QH 913, QH 024 AND QH 918)	5940 66-128-4736 Z0220/H2727 Z0220/H2727	4	EA	X	LMH
904	CONNECTOR, EDGE, 32 MM LG., 14 MM DIA., 4.5 MM DIA. FEMALE TERMINALS, GREY PLASTIC, 2 MM THK. (ALSO PART OF QH 001, QH 901, QH 902 AND QH 903)	U1030/BHA4460 U1030/BHA4460	2			
905	HOUSING, CONNECTOR. (ALSO PART OF QH 001, QH 901, QH 902 AND QH 903)	U0974/51153331 U0974/51153331	2			

* GRADE OF REPAIR (LIGHT MEDIUM OR HEAVY)

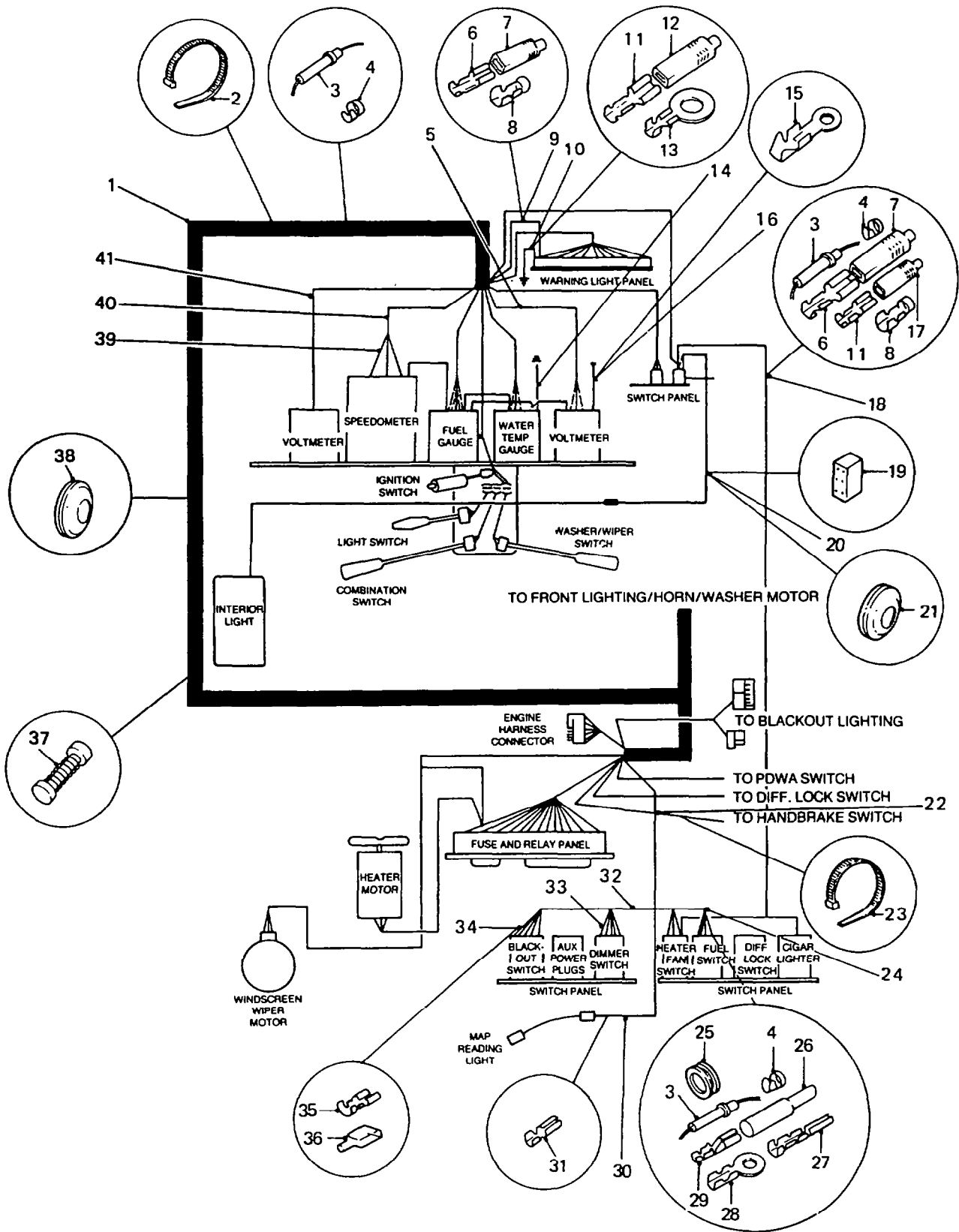


CAB WIRING AND FITTINGS

GROUP QH
TITLE CAB WIRING AND FITTINGS

ITEM NO	DESIGNATION	NSN MANUFACTURER CODE/PART NO SUPPLIER CODE/PART NO	NO OFF	U	E	L*
				O	X	M*
				I	P	H*
005	HARNES ASSEMBLY, VOLTMETER TO HARNES. (INCLUDES QH 906 TO QH 909)	U1030/PRC3053 Z5394/PRC3053	1			
906	INSULATOR, TERMINAL, NYLON, GLASS FILLED, BLACK, 23 MM LG., 9.3 MM W., 6.6 MM H. (ALSO PART OF QH 005)	Z0220/H2096 Z0220/H2096	1			
907	TERMINAL, 6 MM W. (USE QH 005)	/NIL /NIL	1			
908	WIRE, WHITE, 3 MM DIA., 190 MM LG. (USE QH 005)	/NIL /NIL	1			
909	CONNECTOR, BULLET, BRASS, 11.1 MM LG., 4.2 MM O.D. (ALSO PART OF QH 005 AND QH 039)	Z0220/H864 Z0220/H864	1			
006	TERMINAL, BRASS, NATURAL FINISH, 15.4 MM LG., 0.30 MM THK. (ALSO PART OF QH 009, QH 018 AND QH 913)	Z0220/H1143 Z0220/H1143	5			
007	INSULATION, PVC., CLEAR, 22.6 MM LG., 7.9 MM W., 5.1 MM THK. (ALSO PART OF QH 009, QH 018 AND QH 913)	Z0220/H2088 Z0220/H2088	5			
008	TERMINAL, BULLET, BRASS, NATURAL, 12.7 MM LG., 4.8 MM O.D. (ALSO PART OF QH 009, QH 018, QH 913, QH 020, QH 024, QH 918, QH 030, QH 033, QH 034, QH 919 AND QH 041)	Z0220/H2721 Z0220/H2721	19			
009	CABLE ASSEMBLY, POWER FEED TO 6 WD INDICATOR LIGHT, GREEN, 9/0.3 MM DIA., 250 MM LG. (INCLUDES QH 006 TO QH 008)	Z5394/AYG9896 Z5394/AYG9896	1			
010	CABLE ASSEMBLY, 6 WD LIGHT TO EARTH, BLACK, 9/0.3 MM DIA., 100 MM LG. (INCLUDES QH 011 TO QH 013)	Z5394/AYG9629 Z5394/AYG9629	1			

* GRADE OF REPAIR (LIGHT MEDIUM OR HEAVY)

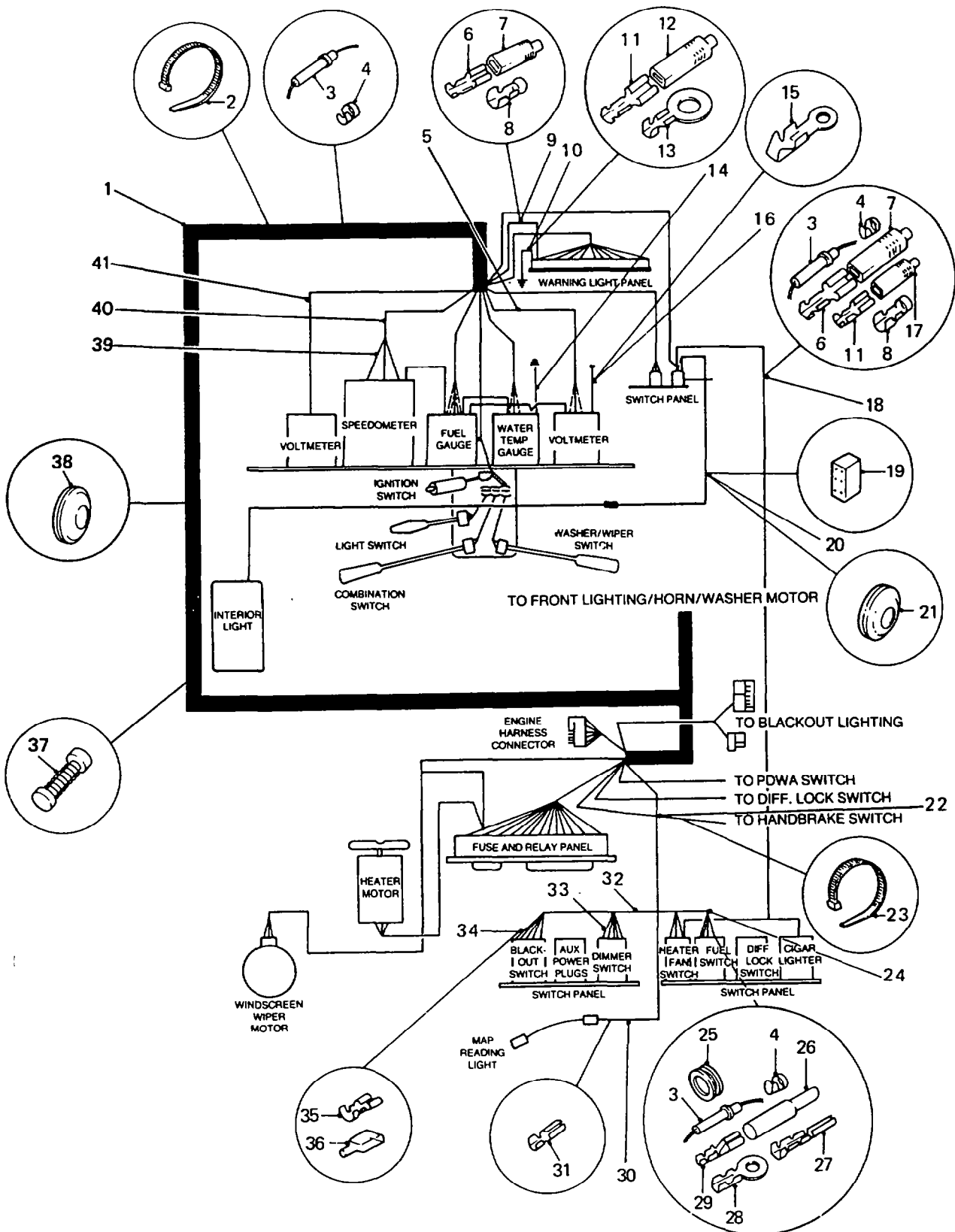


CAB WIRING AND FITTINGS

GROUP QH
TITLE CAB WIRING AND FITTINGS

ITEM NO	DESIGNATION	NSN MANUFACTURER CODE/PART NO SUPPLIER CODE/PART NO	NO OFF	U O I	E X P	L* M* H*
011	TERMINAL, QUICK DISCONNECT 20 AMP, 0.766 IN. LG (ALSO PART OF QH 010, QH 016, QH 018, QH 913, QH 032, QH 033 AND QH 041)	5940 66-033-2813 Z0220/H1072 Z0220/H1072	11	EA	X	LMH
012	INSULATOR, TERMINAL, PVC., BLACK, 27.8 MM LG., 9.5 MM W., 5.5 MM THK. (ALSO PART OF QH 010, QH 032, QH 033 AND QH 041)	Z0220/H1135A Z0220/H1135A	3			
013	TERMINAL, EYE, BRASS, NATURAL FINISH, 24.6 MM LG., 12.7 MM W. (ALSO PART OF QH 010)	Z0220/H1864 Z0220/H1864	2			
014	CABLE ASSEMBLY, 190 MM LG. (INCLUDES QH 910 TO QH 912)	U1030/PRC3055 Z5394/PRC3055	1			
910	TERMINAL, EYE, WITH INSULATION SUPPORT, BRASS, NATURAL FINISH, 17.5 MM LG. (ALSO PART OF QH 014)	Z0220/H3932 Z0220/H3932	1			
911	WIRE, 3 MM DIA., BLACK. (USE QH 014)	/NIL /NIL	1			
912	TERMINAL, BULLET, 4.7 MM O.D., 7 MM LG. (USE QH 014)	/NIL /NIL	1			
015	TERMINAL, EYE, BRASS, 25.4 MM LG., 5 MM I.D. 8.7 MM W. (ALSO PART OF QH 016)	Z0220/H232 Z0220/H232	1			
016	CABLE ASSEMBLY, INSTRUMENT EARTH, BLACK, 9/0.3 MM DIA., 450 MM LG. (INCLUDES QH 011 AND QH 015)	Z5394/AYG9830 Z5394/AYG9830	1			
017	INSULATOR, TERMINAL, PVC., CLEAR, 27.8 MM LG., 9.5 MM W., 5.5 MM THK. (ALSO PART OF QH 018, QH 913, QH 034, QH 919 AND QH 040)	Z0220/H1135 Z5394/H1135	21			

* GRADE OF REPAIR (LIGHT MEDIUM OR HEAVY)

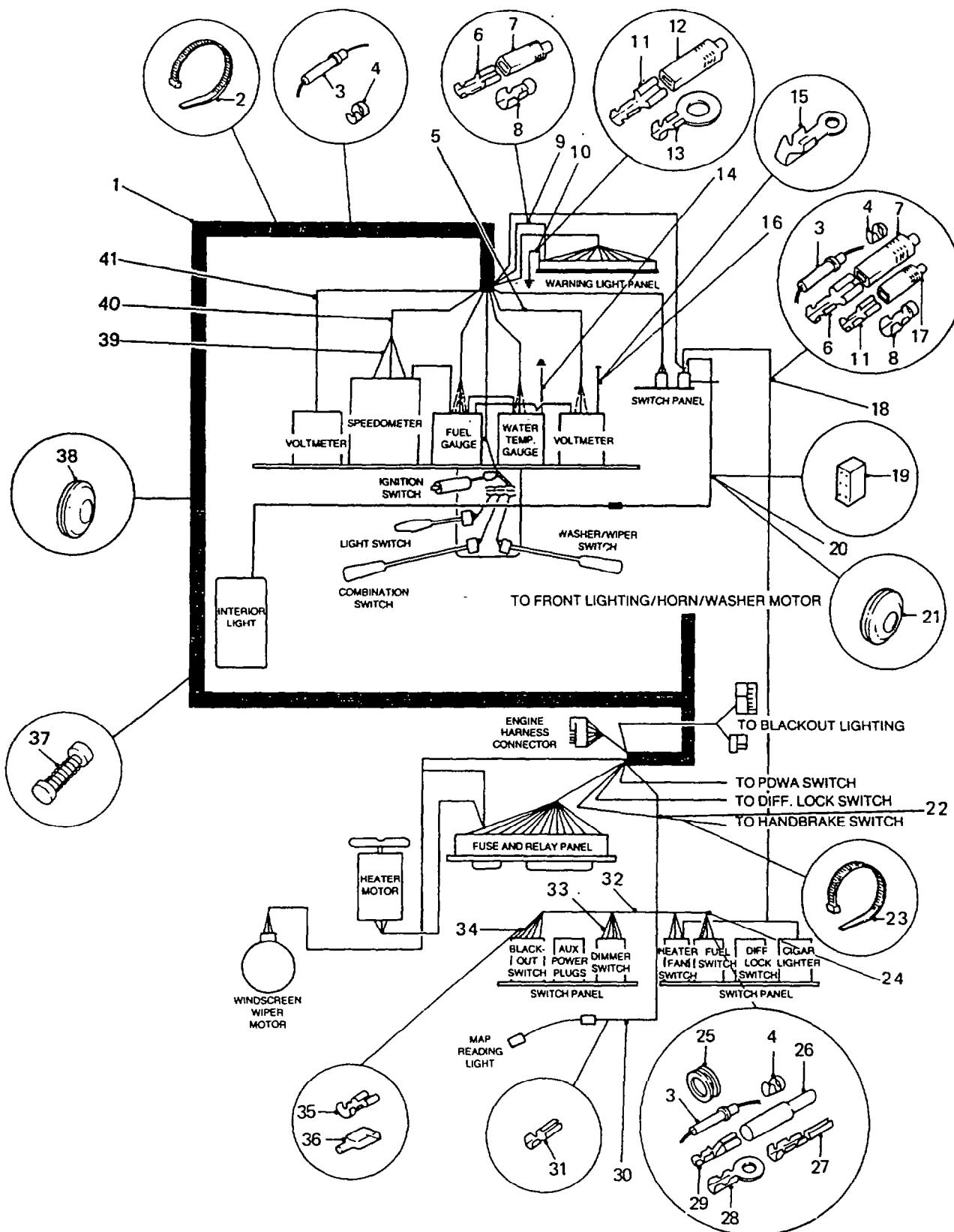


CAB WIRING AND FITTINGS

GROUP QH
TITLE CAB WIRING AND FITTINGS

ITEM NO	DESIGNATION	NSN MANUFACTURER CODE/PART NO SUPPLIER CODE/PART NO	NO OFF	U O	E X	L*	M*
				I	P	H*	
018	HARNES ASSEMBLY, CIGAR LIGHTER AND INTERIOR LIGHT SWITCH ILLUMINATION. BARREL FUSES. (MODIFIED VIDE EMEI VEH. G 189-2)	Z5394/AYG9899 Z5394/AYG9899	1				
913	HARNES ASSEMBLY, CIGAR LIGHTER AND INTERIOR LIGHT SWITCH ILLUMINATION. BLADE FUSES. (MODIFIED VIDE EMEI VEH. G 189-2)	Z5394/BYG9064 Z5394/BYG9064	1				
019	CONNECTOR, PLUG, MULTI PIN, 6 PIN, FEMALE, WHITE. (ALSO PART OF QH 020)	Z0027/51152006 Z0027/51152006	1				
020	CABLE ASSEMBLY, INTERIOR LIGHT, 3 M LG. (INCLUDES QH 008, QH 019, QH 026 AND QH 029)	Z5394/BYG9178 Z5394/BYG9178	1				
021	GROMMET, NONMETALLIC RUBBER	5325 66-089-5324 U1030/312856 Z5394/R312856	3	EA	X	LMH	
022	CABLE ASSEMBLY, HANDBRAKE SWITCH TO TOEBOX. (INCLUDES QH 914 TO QH 917)	U1030/PRC4442 Z5394/PRC4442	1				
914	TERMINAL, BULLET. (USE QH 022)	/NIL /NIL	1				
915	GROMMET, 15 MM O.D., 12 MM I.D., 25 MM LG., RUBBER. (USE QH 022)	/NIL /NIL	1				
916	WIRE, 3 MM DIA., 650 MM LG. (USE QH 022)	/NIL /NIL	1				
917	TERMINAL, BRASS, 9.5 MM W., 5 MM THK. (USE QH 022)	/NIL /NIL	1				
023	TIE, CABLE, HANDBRAKE SWITCH LEAD TO DIFF LOCK LEAD.	U1030/DRC1538 Z5394/DRC1538	4				

* GRADE OF REPAIR (LIGHT MEDIUM OR HEAVY)

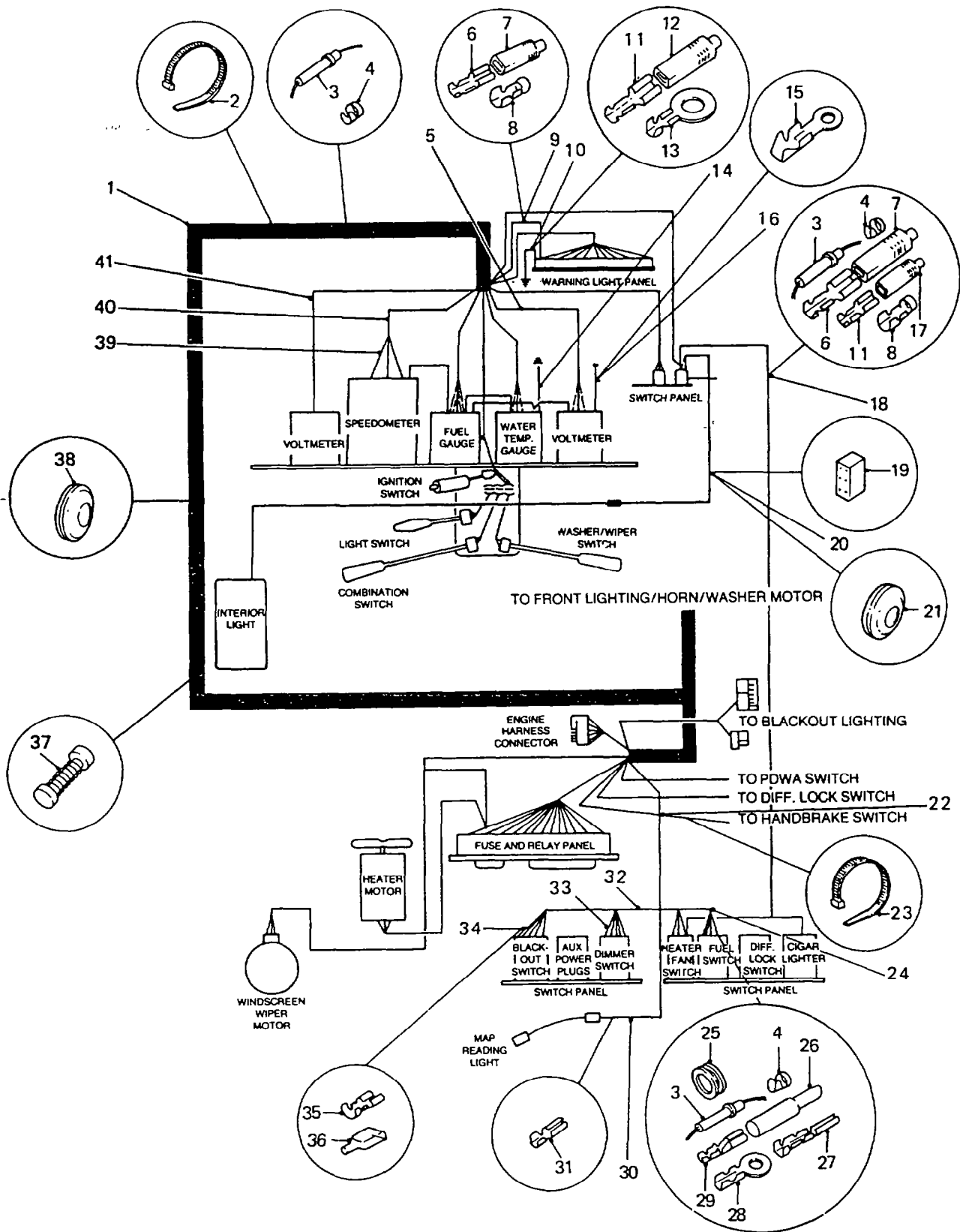


CAB WIRING AND FITTINGS

GROUP QH
TITLE CAB WIRING AND FITTINGS

ITEM NO	DESIGNATION	NSN MANUFACTURER CODE/PART NO SUPPLIER CODE/PART NO	NO OFF	U	E	L*
				Q	X	M*
				I	P	H*
024	HARNES ASSEMBLY, TWIN FUEL TANK SWITCHING. (BARREL FUSES TYPE, MODIFY VIDE EMEI VEH. G 189-2)	Z5394/AYG9962 Z5394/AYG9962	1			
918	HARNES ASSEMBLY, TWIN FUEL TANK SWITCH. (BLADE FUSES TYPE, MODIFY VIDE EMEI VEH G 189-2)	Z5394/BYG9183 Z5394/BYG9183	1			
025	GROMMET. (ALSO PART OF QH 024 AND QH 918)	Z1278/M201 Z1278/M201	1			
026	INSULATION SLEEVING, ELECTRICAL, SPECIAL PURPOSE PVC, CLEAR, 33.0 MM LG., 4.6 MM OD (ALSO PART OF QH 020, QH 024, QH 918, QH 030, QH 034 AND QH 919)	5970 66-128-4715 Z0220/H2806 Z0220/H2806	9	EA	X	LMH
027	TERMINAL, PIN, PRE-PI. BRASS, 0.25 MM THK., 21.9 MM LG. (ALSO PART OF QH 024 AND QH 918)	Z0220/H9002 Z0220/H9002	5			
028	TERMINAL, EYE, WITH INSULATION SUPPORT, BRASS, 21.1 MM LG., 9.9 MM W. (ALSO PART OF QH 024 AND QH 918)	Z0220/H223B Z0220/H223B	6			
029	TERMINAL, QUICK DISCONNECT CRIMP, COPPER ALLOY, RECEPTACLE, 23.4 MM LG., 4.6 MM ID (ALSO PART OF QH 020, QH 024, QH 918, QH 032, QH 034 AND QH 919)	5940 66-128-4714 Z0220/H1286 Z0220/H1286	8	EA	X	LMH
030	HARNES ASSEMBLY, MAP READING LIGHT, 300 MM LG. (INCLUDES QH 008, QH 026 AND QH 031)	Z5394/AYG9731 Z5394/AYG9731	1			
031	TERMINAL, QUICK DISCONNECT (ALSO PART OF QH 030)	5940 66-102-4112 Z0220/H2743 Z0220/H2743	2	EA	X	LMH

* GRADE OF REPAIR (LIGHT MEDIUM OR HEAVY)



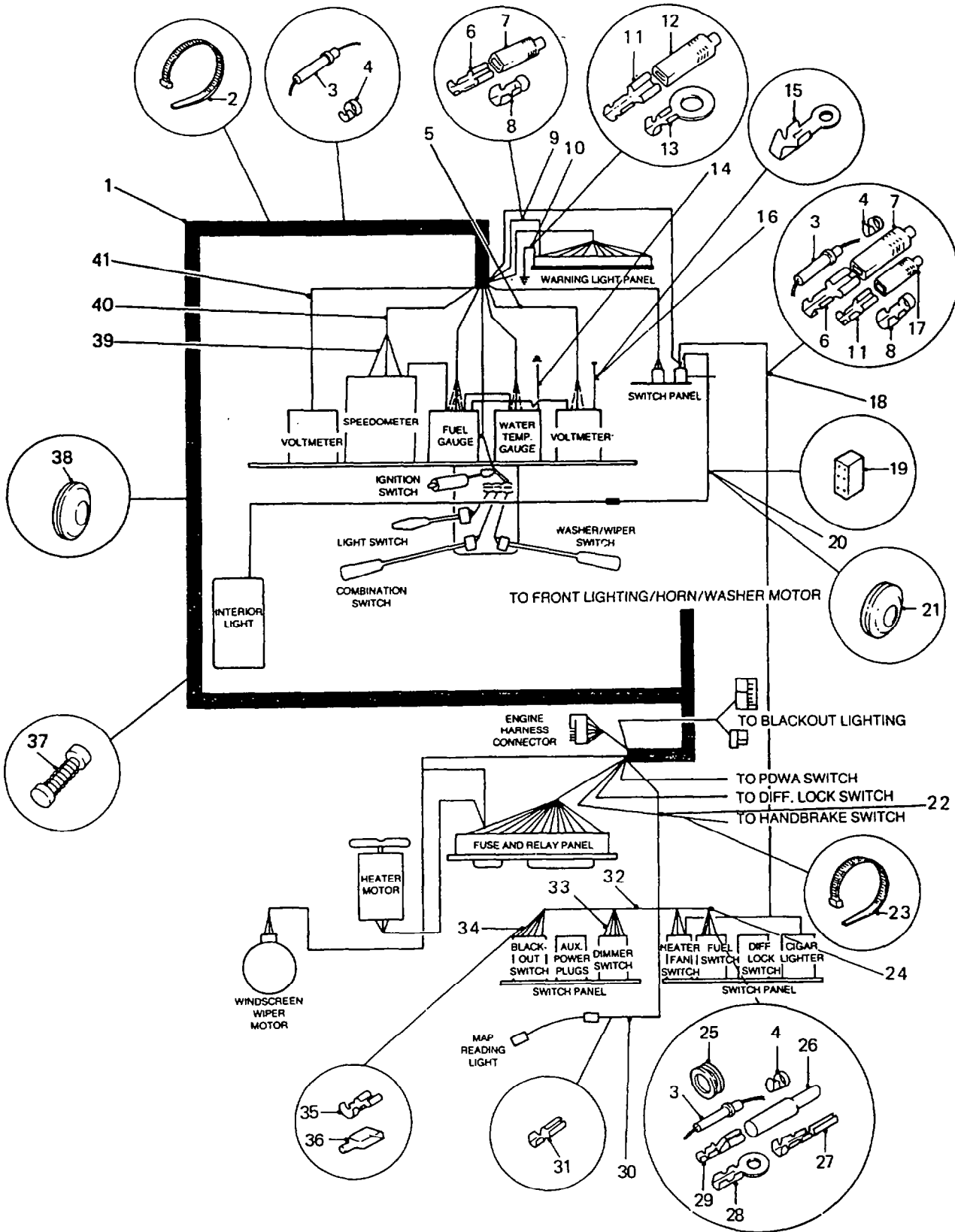
CAB WIRING AND FITTINGS

GROUP QH
TITLE CAB WIRING AND FITTINGS

ITEM NO	DESIGNATION	NSN MANUFACTURER CODE/PART NO SUPPLIER CODE/PART NO	NO OFF	U	E	L*
				O I	X P	M H*
032	CABLE ASSEMBLY, DIMMER SWITCH TO MAIN HARNESS, RED WITH WHITE TRACER, 750 MM LG. (INCLUDES QH 011, QH 012 AND QH 029)	Z5394/AYG9768 Z5394/AYG9768	1			
033	CABLE ASSEMBLY, FEED TO DIMMER SWITCH, WHITE, 200 MM LG. (INCLUDES QH 008, QH 011 AND QH 012)	Z5394/AYG9767 Z5394/AYG9767	1			
034	CABLE ASSEMBLY, BLACKOUT LIGHT SWITCH. (BARREL FUSES TYPE, MODIFIED VIDE EMEI VEH. G 189-2)	Z5394/AYG9779 Z5394/AYG9779	1			
919	CABLE ASSEMBLY, BLACKOUT LIGHT SWITCH. (BLADE FUSES TYPE, MODIFIED VIDE EMEI VEH. G 189-2)	Z5394/BYG9063 Z5394/BYG9063	1			
035	TERMINAL, FLAG, BRASS, NATURAL, 14.2 MM LG., 7.5 MM W., 0.50 MM THK. (ALSO PART OF QH 034 AND QH 919)	Z0220/H3504 Z0220/H3504	7			
036	RECEPTACLE, BRASS, NATURAL, 19.8 MM LG., 0.45 MM THK. (ALSO PART OF QH 034, QH 919 AND QH 040)	Z0220/H1972 Z0220/H1972	16			
037	RESISTOR, 100 OHMS, WIRE WOUND, 27 MM LG., 6.5 MM DIA., 6 MM ENDS.	Z5394/PRC9096 Z5394/PRC9096	1			
038	GROMMET, INNER DASH PANEL, MAIN HARNESS, 1-5/8 IN. O.D., 1/4 IN. I.D.	U1030/276054 Z5394/R276054	1			
039	CABLE ASSEMBLY, INSTRUMENT ILLUMINATION. (INCLUDES QH 909 AND QH 920 TO QH 923)	U1030/PRC4460 Z5394/PRC4460	1			
920	WIRE, 3 MM DIA., 180 MM LG., WHITE. (USE QH 039)	/NIL /NIL	1			
921	WIRE, 3 MM DIA., 115 MM LG., BLACK. (USE QH 039)	/NIL /NIL	1			

ISSUE NO: 1 REPAIR PARTS SCALE : 02222 PAGE NO: 27

* GRADE OF REPAIR (LIGHT MEDIUM OR HEAVY)

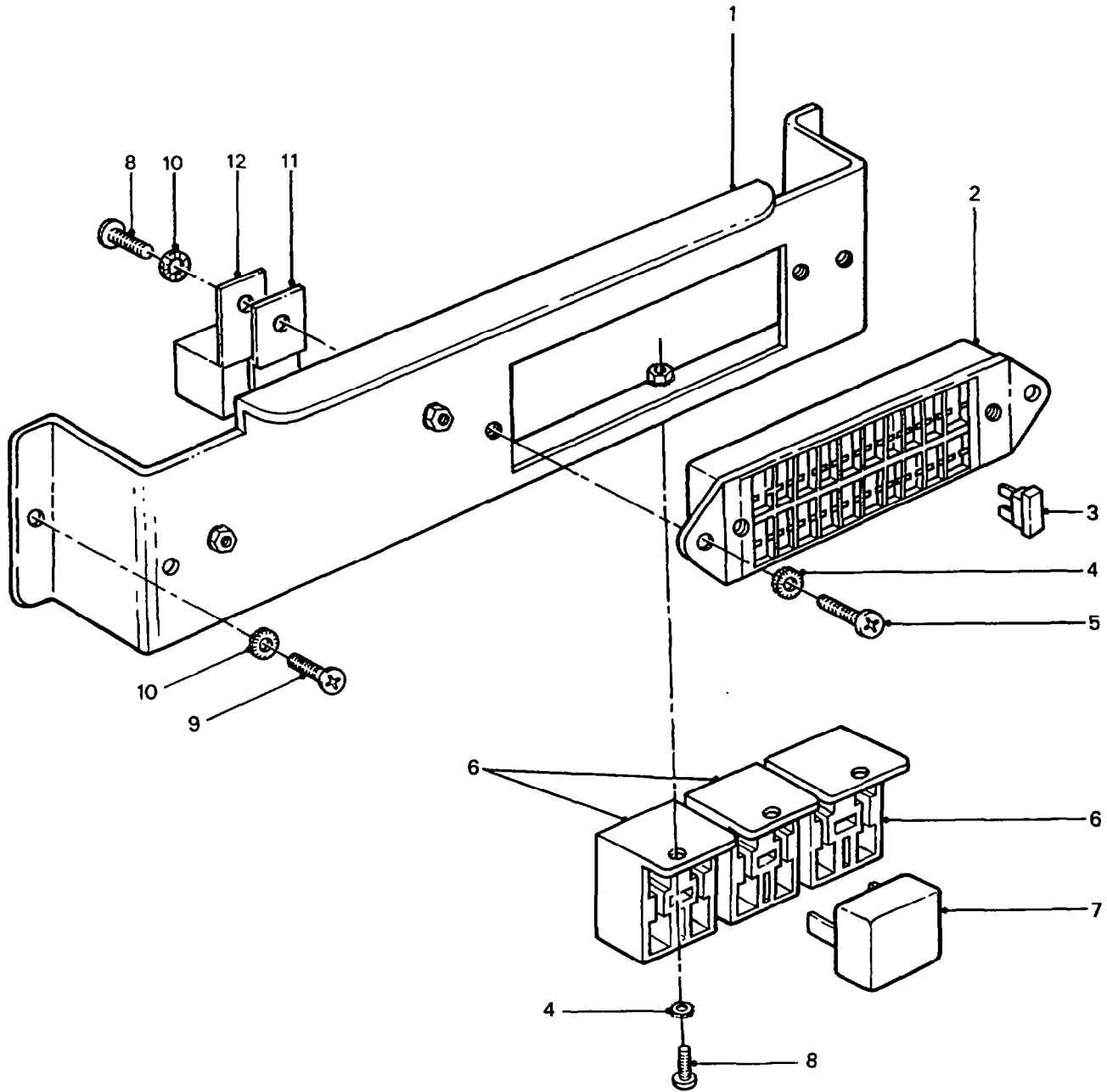


CAB WIRING AND FITTINGS

GROUP QH
TITLE CAB WIRING AND FITTINGS

ITEM NO	DESIGNATION	NSN MANUFACTURER CODE/PART NO SUPPLIER CODE/PART NO	NO OFF	U O I	E X P	L* M* H*
922	HOLDER, LAMP. (USE QH 039)	/NIL /NIL	1			
923	TERMINAL, EYE, 5 MM HOLE DIA. (USE QH 039)	/NIL /NIL	1			
040	CABLE ASSEMBLY, INSTRUMENTS. (INCLUDES QH 017 AND QH 036)	Z5394/AYG9766 Z5394/AYG9766	1			
041	CABLE, FEED, 24V VOLTMETER, 200 MM LG., WHITE, 9 STRAND. (INCLUDES QH 008, QH 011 AND QH 012)	Z5394/AYG9769 Z5394/AYG9769	1			

* GRADE OF REPAIR (LIGHT MEDIUM OR HEAVY)



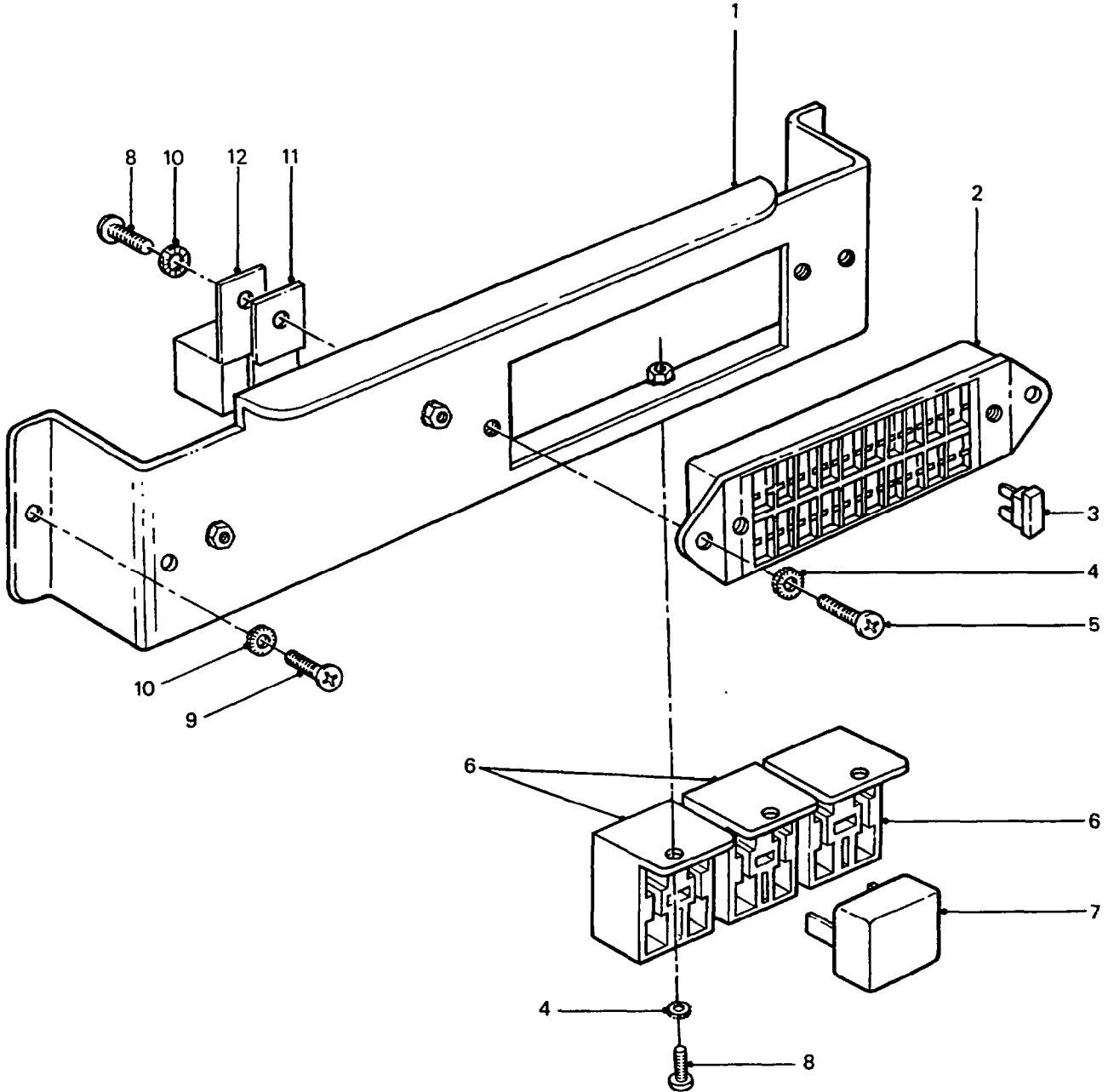
FUSES AND RELAYS

GROUP QMA
TITLE FUSES AND RELAYS

ITEM NO	DESIGNATION	NSN MANUFACTURER CODE/PART NO SUPPLIER CODE/PART NO	NO OFF	U	E	L*
				I	P	H*
001	PANEL, FUSE BOX AND RELAY MOUNTING	U1030/PRC8072 Z5394/PRC8072	1			
002	FUSE BOX BLADE TYPE FUSES	5920 66-128-5959 Z5394/PRC4826 Z5394/PRC4826	1	EA	X	LMH
003	FUSE, INCLOSED LINK KNIFE BLADE TYPE, 3AMP, 12V DC, COLOUR CODE PURPLE	5920 99-766-9038 K5033/8JS030LBF005 Z5394/RTC4481	4	EA	X	LMH
901	FUSE, INCLOSED LINK KNIFE BLADE TYPE, 5 AMP, 19 MM LG, 5 MM W, 19 MM H, COLOUR CODE TAN	5920 01-123-5212 U1030/RTC4497 Z5394/RTC4497	4	EA	X	LMH
902	FUSE, INCLOSED LINK KNIFE BLADE TYPE, 7.5AMP COLOUR CODE BROWN	U1030/RTC4498 Z5394/RTC4498	5			LMH
903	FUSE INDICATOR, ALARM RED POLYCARBONATE BODY, 19.15 MM BY 18.90 MM BY 5.25 MM O/A DIM.	5920 99-766-0616 U1030/RTC4501 Z5394/RTC4501	1	EA	X	LMH
904	FUSE INDICATOR, ALARM KNIFE BLADE TYPE, 15 AMP, 12V DC, COLOUR CODE BLUE	5920 99-759-4951 U1030/RTC4503 Z5394/RTC4503	3	EA	X	LMH
905	FUSE, INCLOSED LINK KNIFE BLADE TYPE, 20AMP, 12V DC, COLOUR CODE YELLOW, 19MM LG, 5MM W, 19MM H	5920 99-759-5254 U5612/ADU1878 Z5394/ADU1878L	3	EA	X	LMH
004	WASHER, EXTERNAL TOOTH, 5 MM I.D., ZINC PLATED	U1030/WE105001 Z5394/WE105001	5			
005	SCREW, MACHINE METRIC, STEEL, PAN HD, 5 MM BY 16 MM LG	5305 99-135-0430 U1030/SE105161 Z5394/SE105161	2	EA	X	LMH
006	BLOCK, RELAY MOUNTING	Z0645/4973 Z5394/HYL9428	3			
007	RELAY, ELECTROMAGNETIC	5945 99-253-7262 U1030/YWB10032 Z5394/YWB10032	3	EA	X	LMH
008	SCREW, MACHINE METRIC, STEEL, PAN HD, 5 MM BY 12 MM LG	5305 99-135-0429 U1030/SE105121 Z5394/SE105121	4	EA	X	LMH

ISSUE NO: 1 REPAIR PARTS SCALE : 0222 PAGE NO: 29

* GRADE OF REPAIR (LIGHT MEDIUM OR HEAVY)

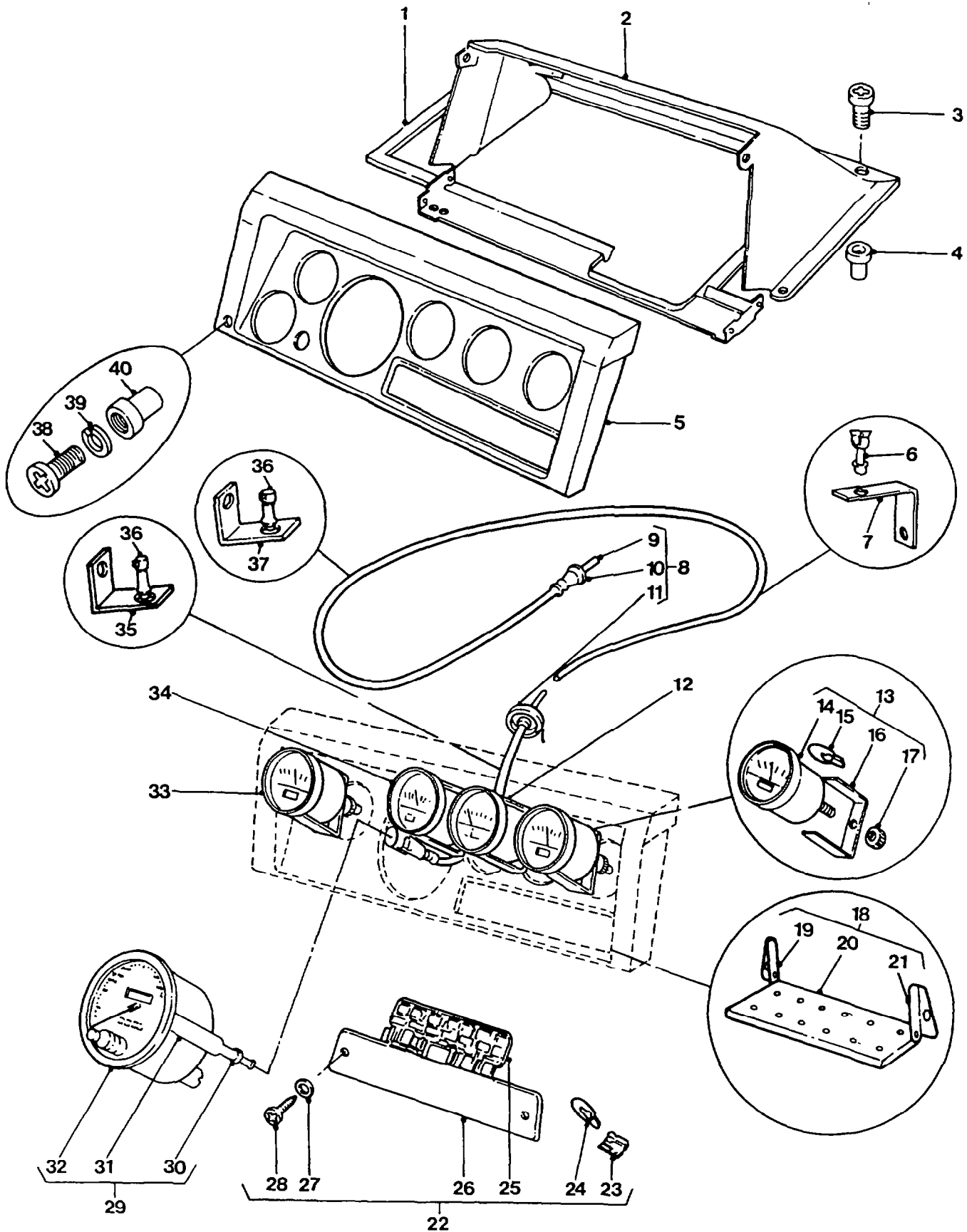


FUSES AND RELAYS

GROUP QMA
TITLE FUSES AND RELAYS

ITEM NO	DESIGNATION	NSN MANUFACTURER CODE/PART NO SUPPLIER CODE/PART NO	NO	U	E	L*
			OFF	O	X	M*
			I	P	H	H*
009	SCREW, MACHINE MM BY 12 MM LG	5305 99-122-5289 U1030/SE106121 Z5394/SE106121	2	EA	X	LMH
010	WASHER, LOCK STEEL, FLAT INT TEETH, CAD PLATED, NO 12 SCREW SIZE, 0.025 IN. THK	5310 66-016-5982 U1030/WF600041 Z5394/WF600041	3	EA	X	LMH
011	FLASHER, SOLID STATE HEAVY DUTY, 12V, 2X21W, 4 PIN (MODIFIED VIDE EMEI VEH. G 297-7)	5945 66-128-6116 Z0645/3033 Z5394/BYG9181	1	EA	X	LMH
906	CONNECTOR, FLASHER UNIT (USED ONLY WITH HEAVY DUTY FLASHER UNIT)	Z5394/BYG9180 Z5394/BYG9180	1			
012	DELAY UNIT, WASH/WIP VARIABLE DELAY	2540 99-709-0106 U1030/AMR2341 Z5394/AMR2341	1	EA	X	LMH

* GRADE OF REPAIR (LIGHT MEDIUM OR HEAVY)



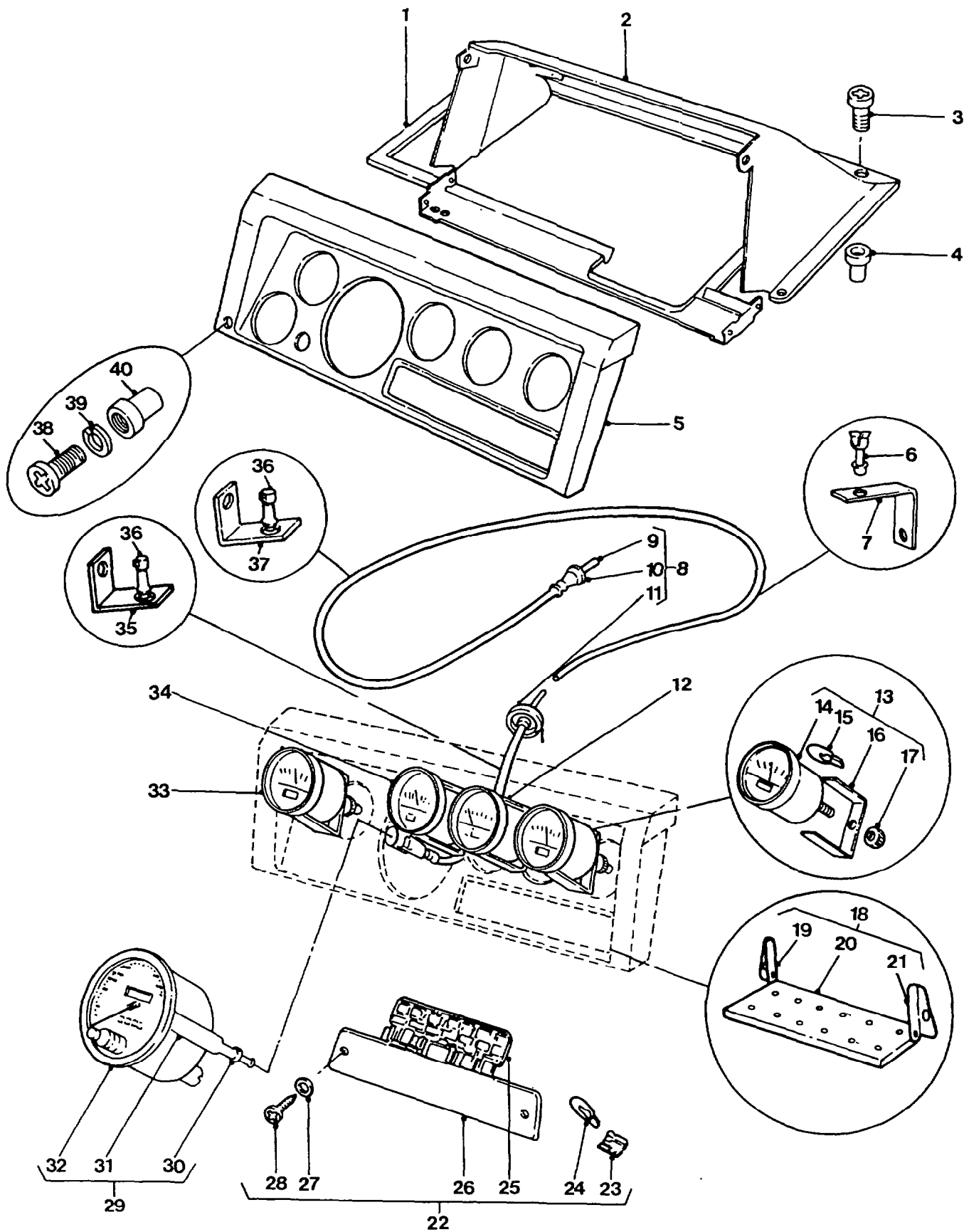
**INSTRUMENT PANEL, GAUGES AND
SPEEDOMETER CABLE**

GROUP QNA
TITLE INSTRUMENT PANEL, GAUGES AND SPEEDOMETER CABLE

ITEM NO	DESIGNATION	NSN MANUFACTURER CODE/PART NO SUPPLIER CODE/PART NO	NO OFF	U I	E P	L* M* H*
001	WASHER, JOINT.	Z5394/HYG3530 Z5394/HYG3530	1			
002	BINNACLE, INSTRUMENT.	Z5394/HYG3396 Z5394/HYG3396	1			
003	SCREW, RECESSED, COUNTERSUNK HD., 5 MM DIA., 20 MM LG., BRONZE.	U1030/SF105204 Z5394/SF105204	7			
004	RIVNUT, 5 MM DIA., 5 MM GRIP RANGE, STEEL.	U1030/MP105500 Z5394/MP105500	7			
005	PANEL ASSEMBLY, INSTRUMENT.	Z5394/HYG3988 Z5394/HYG3988	1			
006	CLIP, SPEEDO, 3/8 IN. PIPE DIA., ACETAL, NATURAL.	U1030/79121 Z5394/R79121	1			
007	BRACKET, SPEEDO CABLE SUPPORT, RIGHT ANGLE, 20 MM W., 2.5 MM THK.	Z5394/AYG2709 Z5394/AYG2709	1			
008	SHAFT ASSEMBLY, FLEXIBLE (INCLUDES QNA 009 TO QNA 011)	6680 66-128-4291 Z5394/PRC6023 Z5394/PRC6023	1	EA	X	LMH
009	CABLE, INNER. (USE QNA 008)	/NIL /NIL	1			
010	CABLE, OUTER. (USE QNA 008)	/NIL /NIL	1			
011	GROMMET, RUBBER, 1.38 IN. O.D., 0.25 IN. I.D., 0.06 IN. GROOVE THK., 0.39 IN. THK. (USE QNA 008)	/NIL /NIL	1			
012	METER, SPECIAL SCALE TEMPERATURE, 40-120 DEG C, 52.0 MM DIA, 59.0 MM DEPTH (INCLUDES QNA 015 TO QN 017, QNA 901 AND QNA 902)	6625 66-128-4360 Z1315/310 329 Z5394/AYG9753	1	EA	X	LMH
013	VOLTMETER 10 TO 16 VOLTS DC (INCLUDES QNA 014 TO QNA 017 AND QNA 901)	6620 66-128-4359 Z1315/332 304 Z5394/AYG9754	1	EA	X	LMH

ISSUE NO: 1 REPAIR PARTS SCALE : 02222 PAGE NO: 31

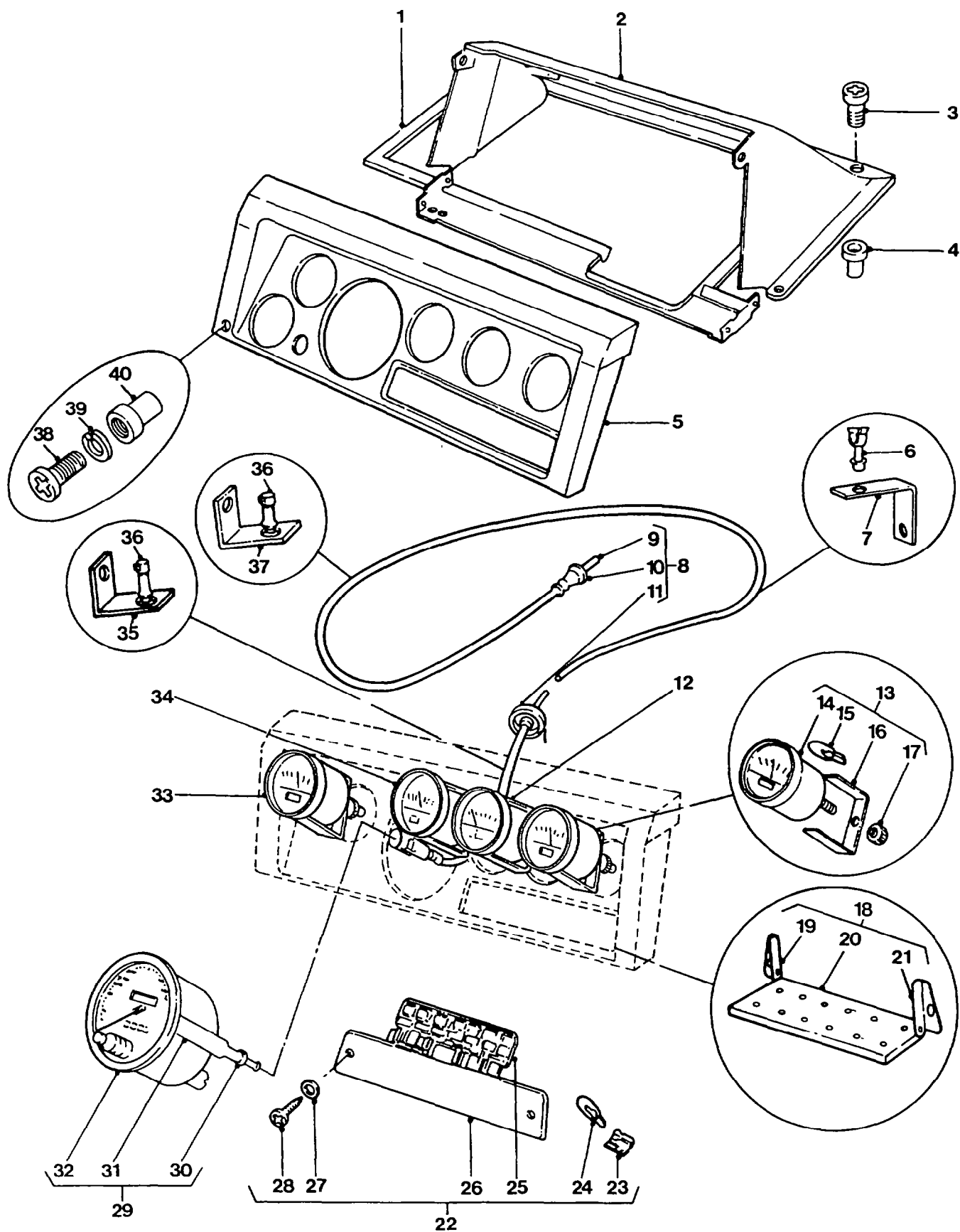
* GRADE OF REPAIR (LIGHT MEDIUM OR HEAVY)



**INSTRUMENT PANEL, GAUGES AND
SPEEDOMETER CABLE**

GROUP QNA
TITLE INSTRUMENT PANEL, GAUGES AND SPEEDOMETER CABLE

ITEM NO	DESIGNATION	NSN MANUFACTURER CODE/PART NO SUPPLIER CODE/PART NO	NO OFF	U O	E X	L* M* H*
901	SLEEVE, PANEL LIGHT (ALSO PART OF QNA 012, QNA 013, QNA 033 AND QNA 034)	6220 66-128-5007 Z5394/MYH3265 Z5394/MYH3265	3	EA	X	LMH
014	GAUGE, VOLTMETER. (USE QNA 013)	/NIL /NIL	1			
015	LAMP, INCANDESCENT 12 V, 2 W, SIDE CONTACTS, BA75/11 BASE, "T" SHAPE, CLEAR (ALSO PART OF QNA 012, QNA 013, QNA 032 AND QNA 033)	6240 66-011-5042 Z0645/J122 Z5394/HYL8640	4	EA	X	LMH
016	BRACKET, STEEL, ZINC PLATED, 'U' SHAPED, 58 MM H., 56 MM W., 14 MM DEPTH, 1.6 MM THK., SLOTTED HOLE 4.5 MM DIA., 6 MM LG. (USE QNA 012, QNA 013, QNA 032 OR QNA 033)	/NIL /NIL	4			
017	NUT, ALUMINIUM, 4 MM DIA., 0.7 MM PITCH, 10 MM O.D. 12 MM DEPTH (USE QNA 012, QNA 013, QNA 032 OR QNA 033)	/NIL /NIL	4			
018	INSTALLATION KIT, BLACKOUT COVER C/O 1 PLATE, 2 HINGES AND 2 SCREWS (INCLUDES QNA 019 TO QNA 021, MODIFIED VIDE EMEI VEH. G 187-5)	2540 66-128-6020 Z5394/HYG4503 Z5394/HYG4503	1	KT	X	LMH
019	HINGE, L.H., BLACKOUT COVER. (ALSO PART OF QNA 018, MODIFIED VIDE EMEI VEH. G 187-5)	Z5394/HYG4373 Z5394/HYG4373	1			
020	COVER, BLACKOUT. (ALSO PART OF QNA 018, USE QNA 028 TO SECURE, MODIFIED VIDE EMEI VEH. G 187-5)	Z5394/AYG9937 Z5394/AYG9937	1			
021	HINGE, R.H., BLACKOUT COVER. (ALSO PART OF QNA 018, MODIFIED VIDE EMEI VEH. G 187-5)	Z5394/HYG4372 Z5394/HYG4372	1			



**INSTRUMENT PANEL, GAUGES AND
SPEEDOMETER CABLE**

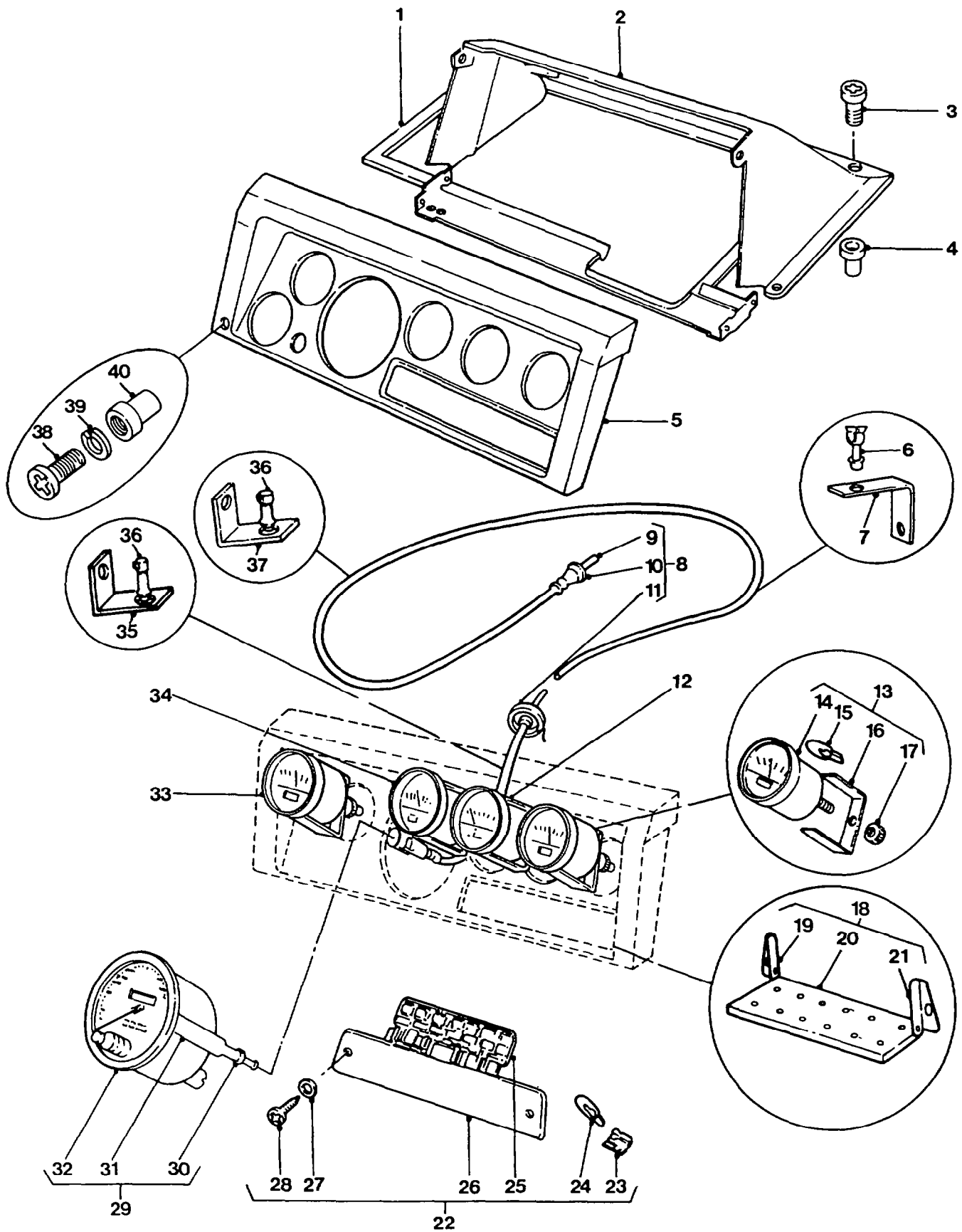
GROUP QNA

TITLE INSTRUMENT PANEL, GAUGES AND SPEEDOMETER CABLE

ITEM NO	DESIGNATION	NSN MANUFACTURER CODE/PART NO SUPPLIER CODE/PART NO	NO OFF	U	E	L*
				I	P	H*
022	MODULE, WARNING LAMPS HARD PLASTIC, MOULDED, BLACK. (INCLUDES QNA 023 TO QNA 028 AND QNA 902)	2540 66-128-5006 Z5394/PRC6657 Z5394/PRC6657	1	EA	A	LMH
023	HOLDER, INCANDESCENT LAMP, WARNING LAMPS. (ALSO PART OF QNA 022)	U1030/AEU2722 Z5394/AEU2722	18			
024	LAMP, INCANDESCENT 12 V, 2 W, WEDGE BASE W2X4.6D (ALSO PART OF QNA 022)	6240 66-128-5005 Z0645/WS112 Z5394/MYH3316	17	EA	X	LMH
902	LAMP, INCANDESCENT HANDBRAKE WARNING LIGHT, WEDGE BASE, 20.0 MM O/A LG, 1.200 WATTS, 12.00 VOLTS, 6 WD SYMBOL.	6240 99-995-4499 U1030/DRC1186 Z5394/JC38966	2	EA	X	LMH
903	LAMP, INCANDESCENT, 24V ALTERNATOR WARNING, 24 VOLT, 1.2 WATT.	Z0645/W241.2 Z5394/HYL9473	1			
025	PANEL, PRINTED CIRC- CIRCUIT CARD, PLASTICS, WARNING LIGHTS, 130 MM LG, 78 MM W, 0.18 MM THK (ALSO PART OF QNA 022)	5999 99-797-3850 U1030/AEU2721 Z5394/AEU2721	1	EA	A	LMH
026	MODULE, WARNING LAMP. (USE QNA 022)	/NIL /NIL	1			
027	"O" RING, SEAL, 7 MM O.D., 4 MM I.D., RUBBER (USE QNA 022)	/NIL /NIL	2			
028	SCREW, RECESSED COUNTERSUNK, M4 BY 1 MM THD., 17 MM THD. LENGTH, 20.6 MM LG. (USE QNA 022)	/NIL /NIL	2			
029	SPEEDOMETER (INCLUDES QNA 030 TO QNA 032 AND QNA 904)	6680 66-128-5018 Z1315/4188 Z5394/PRC7374	1	EA	A	LMH
904	LAMP INCANDESCENT (ALSO PART OF QNA 029)	U1030/BFS501 Z5394/BFS501	2			
030	NUT, KNURLED, 4 MM THD. DIA., 12 MM O.D., 5 MM THK., ALUMINIUM. (USE QNA 029)	/NIL /NIL	2			

ISSUE NO: 1 REPAIR PARTS SCALE : 02222 PAGE NO: 33

* GRADE OF REPAIR (LIGHT MEDIUM OR HEAVY)



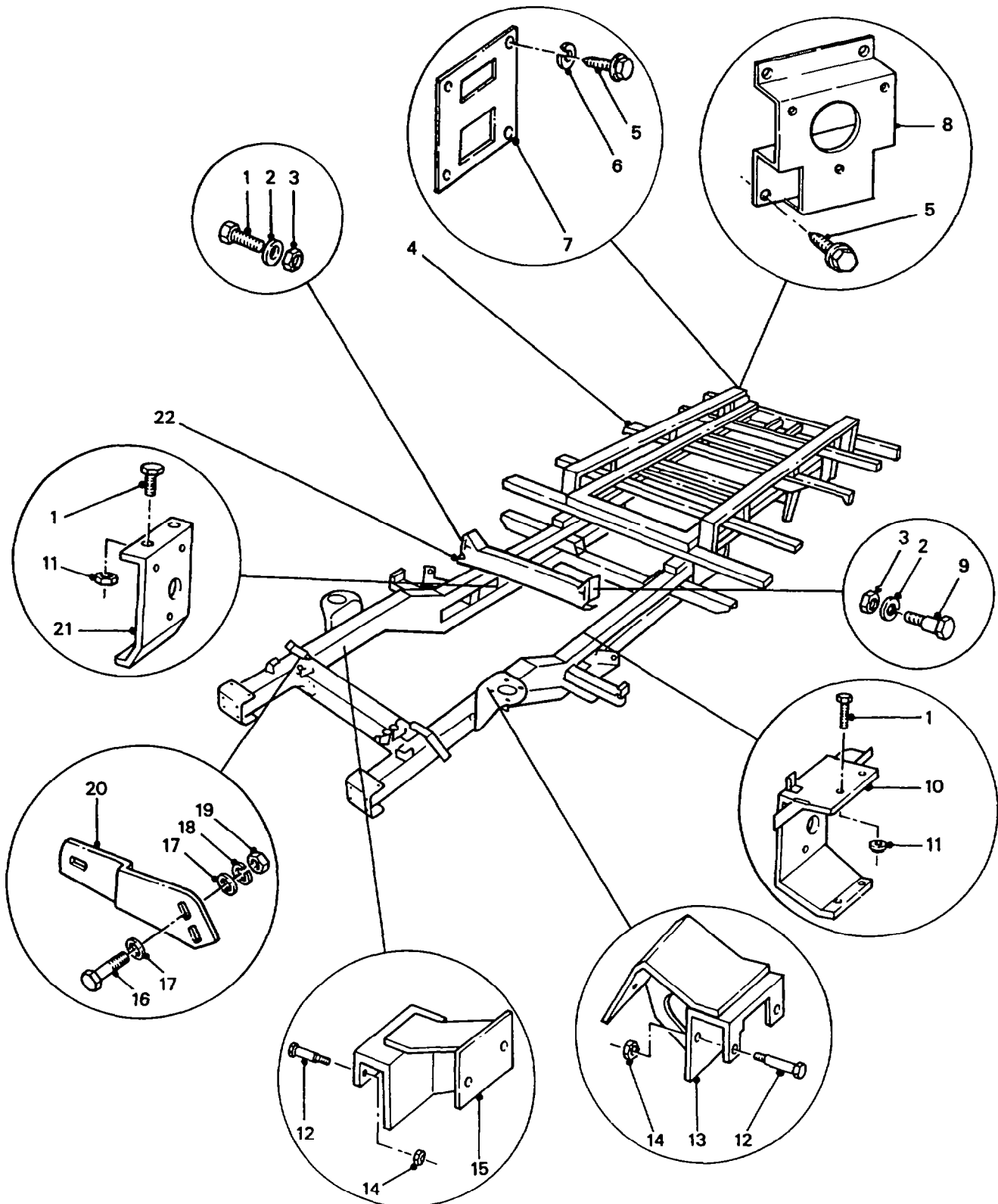
**INSTRUMENT PANEL, GAUGES AND
SPEEDOMETER CABLE**

GROUP QNA
TITLE INSTRUMENT PANEL, GAUGES AND SPEEDOMETER CABLE

ITEM NO	DESIGNATION	NSN MANUFACTURER CODE/PART NO SUPPLIER CODE/PART NO	NO OFF	U	E	L*
				O	X	M*
				I	P	H*
031	CLAMP, 70 MM LG., 1.6 MM THK., 10 MM OFFSET, 5 MM HOLE DIA., STEEL, ZINC PLATED. (USE QNA 029)	/NIL /NIL	2			
032	SPEEDOMETER. (USE QNA 029)	/NIL /NIL	1			
033	VOLTMETER PANEL TYPE, DIAL W/POINTER, 20 TO 32 VOLTS DC (INCLUDES QNA 015 TO QNA 017 AND QNA 901)	6625 66-122-4792 Z1315/332303 Z5394/BYG9024	1	EA	A	LMH
034	INDICATOR, LIQUID QUANTITY (INCLUDES QNA 015 TO QNA 017 AND QNA 901)	6680 66-109-1748 Z1315/300 315 Z5394/AYG9756	1	EA	A	LMH
035	BRACKET, SPEEDOMETER CABLE TO GEARBOX, 20 MM W., 45 MM LG., 1.5 MM THK.	U1030/PRC2979 Z5394/PRC2979	1			
036	CLIP CLIP, SPEEDOMETER CABLE	5340 66-128-4611 Z5394/PRC3180 Z5394/PRC3180	3	EA	X	LMH
037	BRACKET.	U1030/PRC2980 Z5394/PRC2980	1			
038	SCREW, RECESSED PAN HD., 4 MM DIA., 16 MM LG., BRONZE	U1030/SE104164 Z5394/SE104164	5			
039	WASHER, LOCK, SINGLE COIL, RECTANGULAR SECTION, 4 MM I.D., BRONZE.	U1030/WL104004 Z5394/WL104004	5			
040	RIVNUT, 4 MM DIA., 3 MM GRIP RANGE, STEEL.	U1030/MM104301 Z5394/MM104301	7			

ISSUE NO: 1 REPAIR PARTS SCALE : 02222 PAGE NO: 34

* GRADE OF REPAIR (LIGHT MEDIUM OR HEAVY)

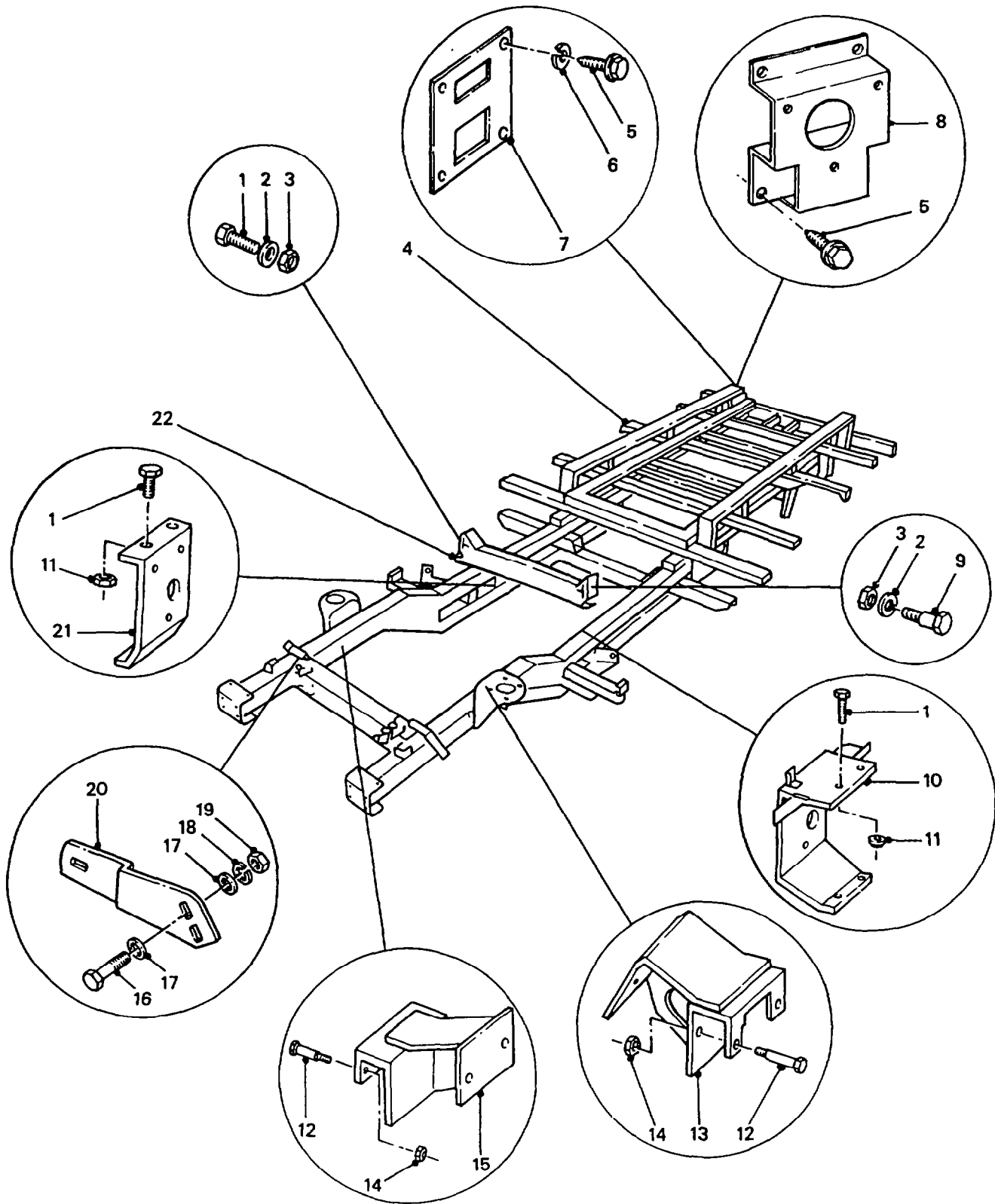


**CHASSIS FRAME AND MOUNTING
BRACKETS**

GROUP RA
TITLE CHASSIS FRAME AND MOUNTING BRACKETS

ITEM NO	DESIGNATION	NSN MANUFACTURER CODE/PART NO SUPPLIER CODE/PART NO	NO OFF	U	E	L*
				O	X	M*
				I	P	H*
001	BOLT, MACHINE METRIC, STEEL, HEX HD, ZINC PLATED, M10 BY 30 MM LG	5306 99-122-4911 U1030/FS110301 Z5394/FS110301	12	EA	X	LMH
002	WASHER, LOCK SPRING, STEEL, SINGLE TURN, ZINC PLATED, 10 MM, 15.90 MM OD 2.50 MM THK	5310 99-138-9228 U1030/WL110001 Z5394/WL110001	8	EA	X	LMH
003	NUT, PLAIN, HEXAGON ISO METRIC, 6H, GRADE 8, STEEL, CAD PLATED. AND PASSIVATED, 10 MM DIA, 16 MM W A/F, 8 MM H O/A	5310 66-098-4403 Z5394/NH110041 Z5394/NH110041	8	EA	X	LMH
004	FRAME ASSEMBLY, CHASSIS.	Z5394/BYG5009 Z5394/BYG5009	1			
005	SCREW, SELF TAPPING, 14-20 BY 22 HWF TEKS, PLATED CD., YELLOW.	Z2665/6-311-0038-5 Z5394/MYH3337	8			
006	WASHER, LOCK STEEL, 6.10 MM ID, 9.70 MM OD, 1.50 MM THK	5310 99-203-6405 U1030/WL106001 Z5394/WL106001	4	EA	X	LMH
007	PLATE, MOUNTING, 87 MM BY 76 MM, 1.6 MM THK., GALVABOND	U1030/AYG8683 Z5394/AYG8683	2			
008	BRACKET, MOUNTING, NATO PLUG.	Z5394/HYG3732 Z5394/HYG3732	1			
009	BOLT, MACHINE RIC, HEX HD, ZINC COATED, 10 MM BY 20 MM LG	5306 99-124-3616 U1030/BH110201 Z5394/BH110201	4	EA	X	LMH
010	ADAPTER ASSEMBLY, L.H., GEARBOX MOUNTING.	U1030/AYG8555 Z5394/AYG8555	1			
011	NUT, SELF-LOCKING, HEXAGON STEEL, CAD PLATED, ALL METAL DESIGN, 10 MM X 1-50 MM PITCH, 17 MM A/F X 11 MM O/A H	5310 99-138-1473 U1030/NV110041 Z5394/NV110041	8	EA	X	LMH
012	BOLT, HEX. HD., PRECISION, METRIC COARSE, 12 MM BY 110 MM LG., ZINC PLATED	U1030/BH112221 Z5394/BH112221	4			
013	MOUNTING ASSEMBLY, L.H., ENGINE TO CHASSIS.	U1030/AYG8857 Z5394/AYG8857	1			

* GRADE OF REPAIR (LIGHT MEDIUM OR HEAVY)

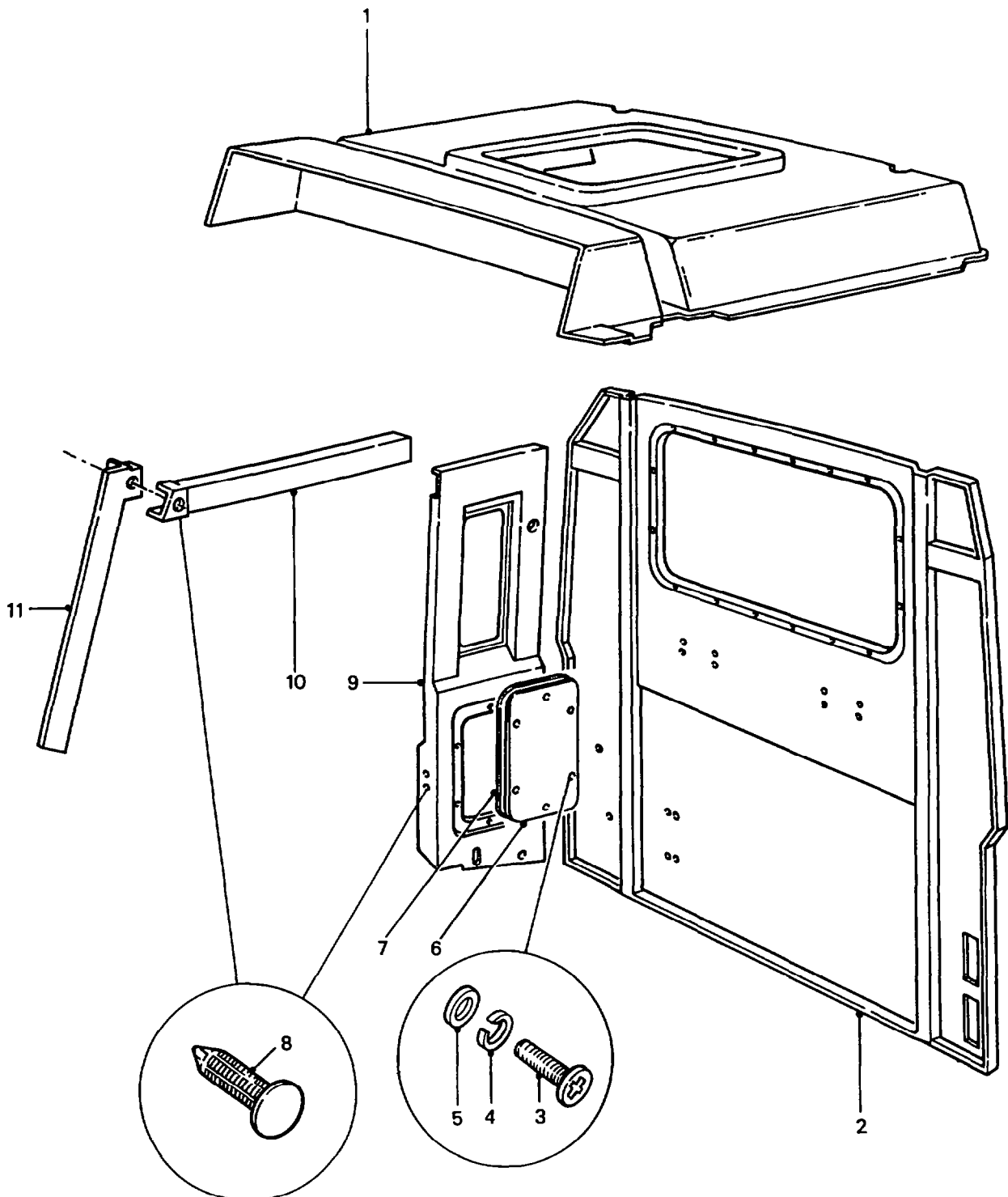


**CHASSIS FRAME AND MOUNTING
BRACKETS**

GROUP RA
 TITLE CHASSIS FRAME AND MOUNTING BRACKETS

ITEM NO	DESIGNATION	NSN MANUFACTURER CODE/PART NO SUPPLIER CODE/PART NO	NO	U	E	L*
			OFF	O	X	M*
				I	P	H*
014	NUT, SELF-LOCKING, HEXAGON ISO M, STEEL, ZINC PLATED, 12 MM THD	5310 99-139-9037 U1030/NV112041 Z5394/NV112041	4	EA	X	LMH
015	MOUNTING ASSEMBLY, R.H., ENGINE TO CHASSIS.	U1030/AYG8640 Z5394/AYG8640	1			
016	SCREW, HEX. HD., MED. TENSILE, 8 MM DIA., 25 MM LG., COARSE THD., ZINC PLATED.	U1030/FS108251 Z5394/FS108251	6			
017	WASHER, FLAT ISO, STEEL, RD, ZINC PLATED, 8 MM ID, 17 MM OD, 1.60 MM THK	5310 99-122-6475 U1030/WA108051 Z5394/WA108051	12	EA	X	LMH
018	WASHER, LOCK SPRING, STEEL, SINGLE TURN, SQUARE SECTION, ZINC PLATED, 8 MM BOLT SIZE	5310 99-138-9227 U1030/WL108001 Z5394/WL108001	6	EA	X	LMH
019	NUT, EXTENDED WASHER WASHER, ISO METRIC, STEEL, ZINC PLATED, M8 X 1.25 MM PITCH, 17.9 MM DIA BY 8 MM O/A H	5310 99-499-8033 U1030/FN108041 Z5394/FN108041	6	EA	X	LMH
020	PLATE, BRIDGE, RIGHT HAND, WHEELARCH TO CHASSIS.	U1030/NRC7165 Z5394/NRC7165	1			
901	PLATE, BRIDGE, LEFT HAND, WHEELARCH TO CHASSIS.	U1030/NRC7164 Z5394/NRC7164	1			
021	ADAPTER ASSEMBLY, R.H., GEARBOX MOUNTING.	U1030/AYG8556 Z5394/AYG8556	1			
022	CROSSMEMBER, DETACHABLE.	U1030/AYG8553 Z5394/AYG8553	1			

* GRADE OF REPAIR (LIGHT MEDIUM OR HEAVY)



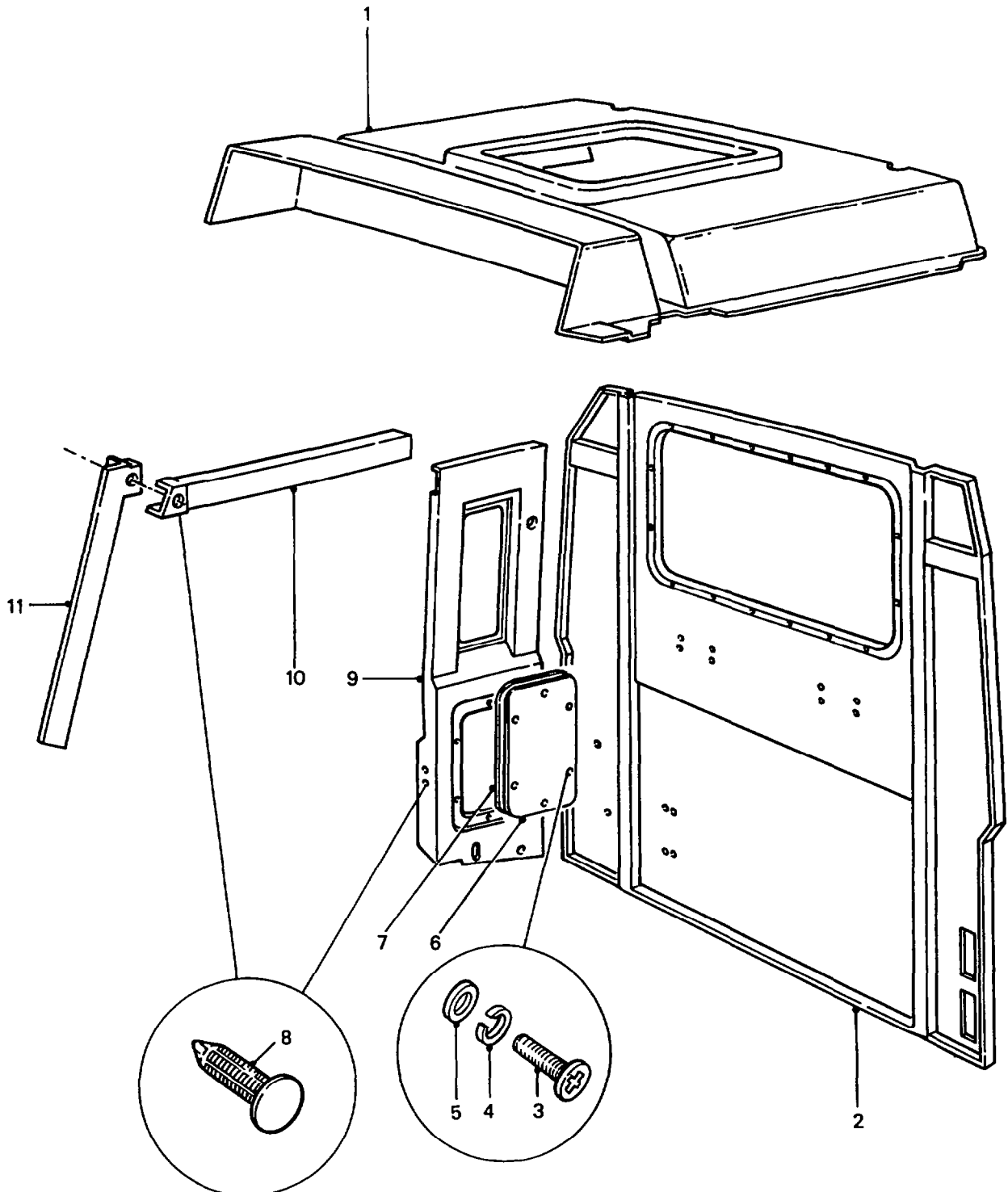
CAB INTERIOR TRIM

GROUP SG
 TITLE CAB INTERIOR TRIM

ITEM NO	DESIGNATION	NSN MANUFACTURER CODE/PART NO SUPPLIER CODE/PART NO	NO OFF	U	E	L*
				O	X	M*
				T	P	H*
001	PANEL, TRIM, CAB ROOF, 3 MM THK., EMBOSSED ABS, GREY COLOUR 3938 CYCOLAC LOW SHEEN G.S.	Z5394/HYG3421 Z5394/HYG3421	1			
901	TAPE, TRIM PANEL TO ROOF, DOUBLE SIDED, 1400 MM LENGTH, 24 MM WIDTH, 2 MM THICKNESS	Z0040/OMY0036 Z0040/OMY0036	1			
002	PANEL, TRIM, CAB REAR, 3 MM THK., EMBOSSED ABS, GREY COLOUR 3938 CYCOLAC, LOW SHEEN G.S.	Z5394/HYG3420 Z5394/HYG3420	1			
003	SCREW, RECESSED PAN HD., 5 MM DIA., 16 MM LG., COARSE THD., BRONZE FINISH	U1030/SE105164 Z5394/SE105164	12			
004	WASHER, LOCK, SINGLE COIL, RECTANGULAR SECTION, 5 MM I.D., BRONZE FINISH	U1030/WL105004 Z5394/WL105004	12			
005	WASHER, FLAT, 5 MM I.D., ZINC PLATED	U1030/WA105004 Z5394/WA105004	12			
006	PLATE, COVER, REAR SIDE PANEL, INNER, 230 MM, W., 360 MM LG., 10 MM THK., MARVIPLATE BASE, ZINC SEAL, EZ10	Z5394/HYG3621 Z5394/HYG3621	2			
007	GASKET, COVER, 230 MM W., 360 MM LG., 1.5 MM THK., NEOPRENE SPONGE, GREY	Z5394/HYG3654 Z5394/HYG3654	2			
008	CLIP, TRIM, DOOR HEADER TRIM AND 'A' POST TRIM TO CAB ROOF, PLASTIC, 18 MM HEAD DIA., 30 MM LG., TO FIT 8 MM HOLE DIA.	U1030/MWC9832 Z5394/MWC9832	2			
009	PANEL, TRIM, CAB SIDE, R.H., 3 MM THK., EMBOSSED ABS., GREY COLOUR, 3938 CYCOLAC, LOW SHEEN G.S.	Z5394/HYG3422 Z5394/HYG3422	1			
902	PANEL, TRIM, CAB SIDE, L.H., 3 MM THK., EMBOSSED ABS., GREY COLOUR, 3938 CYCOLAC, LOW SHEEN G.S.	Z5394/HYG3423 Z5394/HYG3423	1			

ISSUE NO: 1 REPAIR PARTS SCALE : 02222 PAGE NO: 37

* GRADE OF REPAIR (LIGHT MEDIUM OR HEAVY)

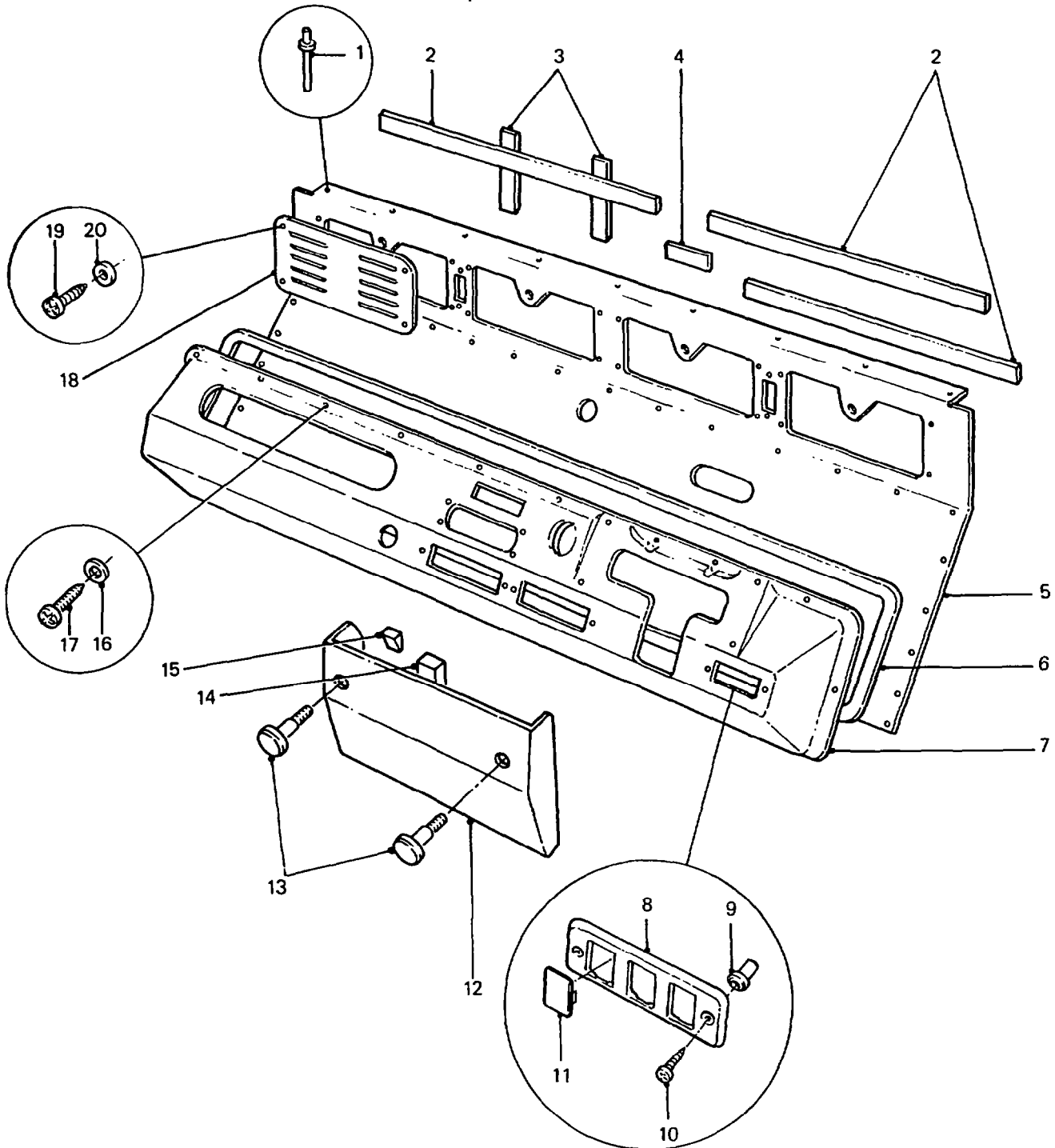


CAB INTERIOR TRIM

GROUP SG
TITLE CAB INTERIOR TRIM

ITEM NO	DESIGNATION	NSN MANUFACTURER CODE/PART NO SUPPLIER CODE/PART NO	NO	U	E	L*
			OFF	O	X	M*
			I	P	H	H*
010	PANEL, TRIM, DOOR HEADER, R.H., 3 MM THK., EMBOSSED ABS, GREY COLOUR, 3938 CYCOLAC, LOW SHEEN G.S.	Z5394/HYG3424 Z5394/HYG3424	1			
903	PANEL, TRIM, DOOR HEADER, L.H., 3 MM THK., EMBOSSED ABS, GREY COLOUR, 3938 CYCOLAC, LOW SHEEN G.S.	Z5394/HYG3425 Z5394/HYG3425	1			
011	PANEL, TRIM, 'A' POST, R.H., 3 MM THK., EMBOSSED ABS, GREY COLOUR, 3938 CYCOLAC, LOW SHEEN G.S.	Z5394/HYG3426 Z5394/HYG3426	1			
904	PANEL, TRIM, 'A' POST, L.H., 3 MM THK., EMBOSSED ABS., GREY COLOUR, 3938 CYCOLAC, LOW SHEEN G.S.	Z5394/HYG3427 Z5394/HYG3427	1			
905	SEAL, COMPRI BAND, 'A' POST TOP OPENING, 400 MM LENGTH	Z5394/MYH1681 Z5394/MYH1681	2			
906	TAPE, DUCT, REDUNDANT SEAT BELT ANCHORAGE, FRONT 'BC' POST	U1030/98250 Z5394/R98250	2			

* GRADE OF REPAIR (LIGHT MEDIUM OR HEAVY)

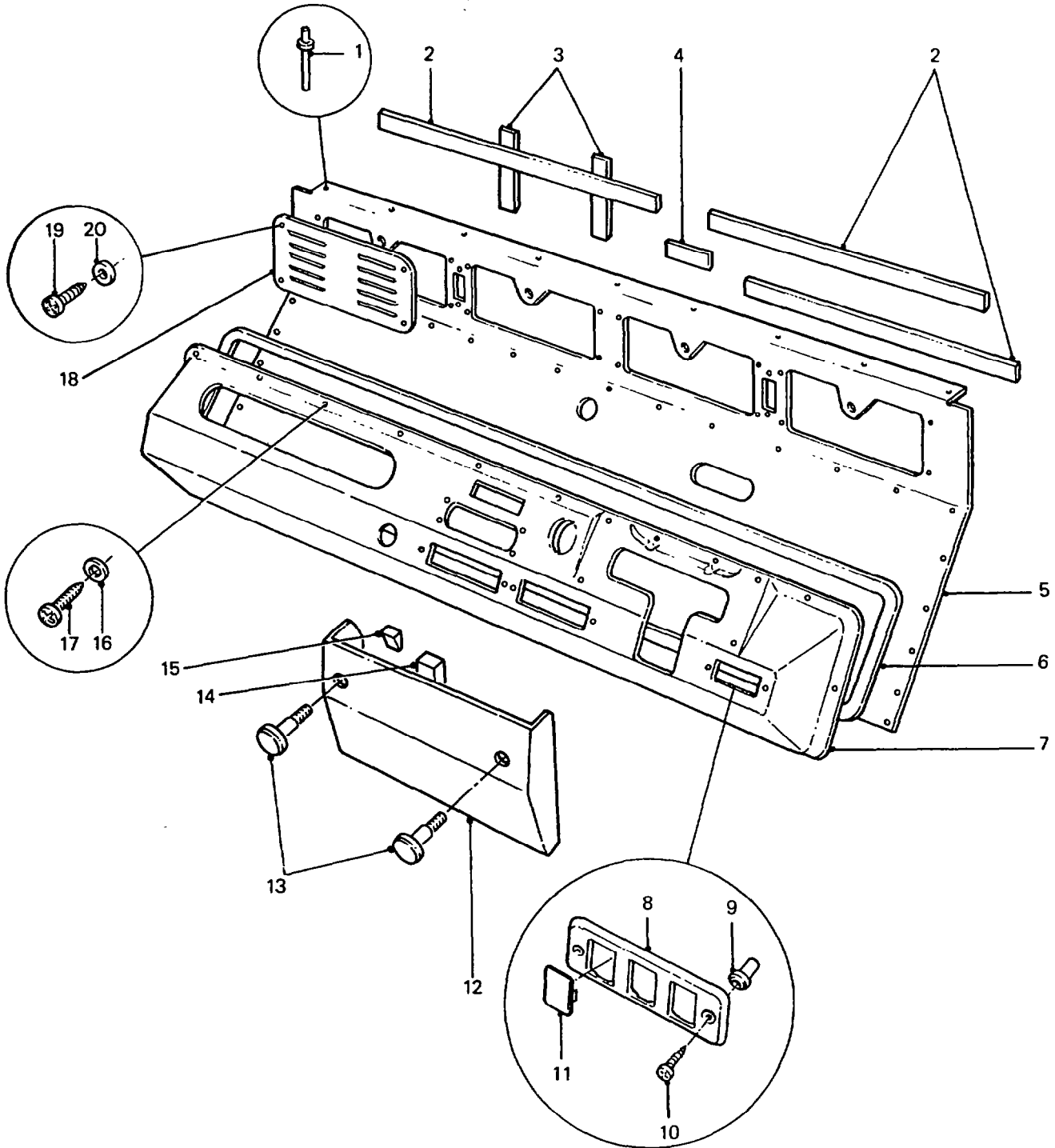


DASH PANELS AND TRIM

GROUP SGB
 TITLE DASH PANELS AND TRIM

ITEM NO	DESIGNATION	NSN MANUFACTURER CODE/PART NO SUPPLIER CODE/PART NO	NO OFF	U I	E P	L* M* H*
001	RIVET, POP, DASH INNER PANEL TO CAB ASSEMBLY, 3/16 IN. BY 1-1/8 IN. LG., ALUMINIUM	U1030/RU612183 Z5394/RU612183	44			
002	SEAL, 1.62 M. LG., DASH PANEL TO FIREWALL (MANUFACTURE FROM SGB 902)	/NIL /NIL	3			
003	SEAL, 200 MM LG., DASH PANEL TO HEATER BOX (MANUFACTURE FROM SGB 902)	/NIL /NIL	2			
004	SEAL, 120 MM LG., DASH PANEL TO HARNESS GROMMET PLATE (MANUFACTURE FROM SGB 902)	/NIL /NIL	2			
901	SEAL, 60 MM LG., HEATER CHANNEL, DIAGONAL (MANUFACTURE FROM SGB 902)	/NIL /NIL	1			
005	PANEL ASSEMBLY, DASH INNER	Z5394/HYG2730 Z5394/HYG2730	1			
006	SEAL, 3.3 M. LG., FACIA MOULDING TO DASH PANEL (MANUFACTURE FROM SGB 902)	/NIL /NIL	1			
007	MOULDING, FACIA	Z5394/HYG2900 Z5394/HYG2900	1			
008	PANEL, SWITCH, MOULDED HARD PLASTIC, BLACK, 126 MM LG., 42 MM W., 3.5 MM THK., 3 CUTOUTS, 30 MM DEPTH BY 22 MM W.	U1030/MTC2640 Z5394/MTC2640	1			
009	RIVNUT, 4 MM THREAD DIA., ALUMINIUM, RAW FINISH	U1030/MP104400 Z5394/MP104400	2			
010	SCREW, MACHINE TRIC, BRONZE, RECESSED C/S HD, 4 MM BY 16 MM LG	5305 99-122-5279 U1030/SF104164 Z5394/SF104164	2	EA	X	LMH
011	PLATE, BLANKING, 26 MM W., 34 MM DEPTH, 3 MM THK., HARD BLACK PLASTIC	U1030/CZH3827 Z5394/CZH3827	1			
012	COVER, FUSE BOX PLASTIC, MOULDED, BLACK, FLEXIBLE.	2540 66-128-4728 Z5394/BTR342 Z5394/BTR342	1	EA	X	LM

* GRADE OF REPAIR (LIGHT MEDIUM OR HEAVY)



DASH PANELS AND TRIM

GROUP SGB
 TITLE DASH PANELS AND TRIM

ITEM NO	DESIGNATION	NSN MANUFACTURER CODE/PART NO SUPPLIER CODE/PART NO	NO OFF	U I	E P	L* M* H*
013	SCREW, SHOULDER ISO METRIC, STEEL, PLASTIC HD, KNURLED HD, 30 MM LG, 10 MM BY 15 MM LG SHOULDER	5305 66-128-4957 U1030/MTC9968 Z5394/MTC9968	2	EA	X	LM
014	HOLDER, SPARE FUSE	U1030/HAM4301L Z5394/HAM4301L	1			
015	EXTRACTOR, FUSE	U1030/PRC4412 Z5394/PRC4412	1			
016	WASHER, LOCK, SINGLE COIL, SQUARE SECT., METRIC, 6 MM I.D., BRONZE	U1030/WM106004 Z5394/WM106004	19			
017	SCREW, RECESSED PAN HD., METRIC COARSE, 6 MM DIA., 20 MM LG., BRONZE	U1030/SE106204 Z5394/SE106204	19			
018	VENTS, INTERIOR	Z5394/HYG2806 Z5394/HYG2806	4			
019	SCREW, RECESSED PAN HD., METRIC COARSE, 5 MM DIA., 16 MM LG., BRONZE	U1030/SE105164 Z5394/SE105164	20			
020	WASHER, LOCK, SINGLE COIL, SQUARE SECT., METRIC, 5 MM I.D., BRONZE	U1030/WM105004 Z5394/WM105004	20			
902	SEAL, BULK, 12 MM WIDE, 3.2 MM THK., 24 MM PER ROLL (USE AS REQUIRED)	Z0765/1204 Z5394/MYH5348	1			

* GRADE OF REPAIR (LIGHT MEDIUM OR HEAVY)

JACKING PROCEDURE HYG 1764

DUE TO THE FITMENT OF A TRANSMISSION HANDBRAKE TO THIS VEHICLE, THE JACKING PROCEDURE MUST BE FOLLOWED BEFORE JACKING ANY WHEEL CLEAR OF THE GROUND.

- 1 APPLY HANDBRAKE.
- 2 ENGAGE DIFFERENTIAL LOCK (WARNING LIGHT WILL ILLUMINATE)
- 3 SELECT 1ST GEAR — LOW RANGE
- 4 CHOCK BOTH SIDES OF WHEEL FURTHEST FROM WHEEL BEING RAISED
- 5 SLACKEN WHEEL NUTS (5)
- 6 FRONT WHEELS: POSITION JACK UNDER AXLE CASING IMMEDIATELY BELOW ROAD SPRING BETWEEN END FLANGE AND SUSPENSION BRACKET
REAR WHEELS: POSITION JACK UNDER AXLE CASING IMMEDIATELY BELOW ROAD SPRING NEAR DAMPER
- 7 REPLACE WHEEL AND TIGHTEN NUTS
- 8 LOWER VEHICLE
- 9 TORQUE NUTS: 100-115 Nm (75-85 lb ft).
- 10 DISENGAGE DIFFERENTIAL LOCK BEFORE MOVING OFF.

TRUCK ELECTRONIC REPAIR

LIGHT MC2

LIABILITY C/N

MANUFACTURER JRA LIMITED

MODEL No LAND ROVER 1106x6

CAPO No

DELIVERED

MANUFACTURER'S V.I.N.

TOWING AND DYNO TEST DATA

FLAT AND LIFT TOWING — DISTANCE UNDER 200 KM

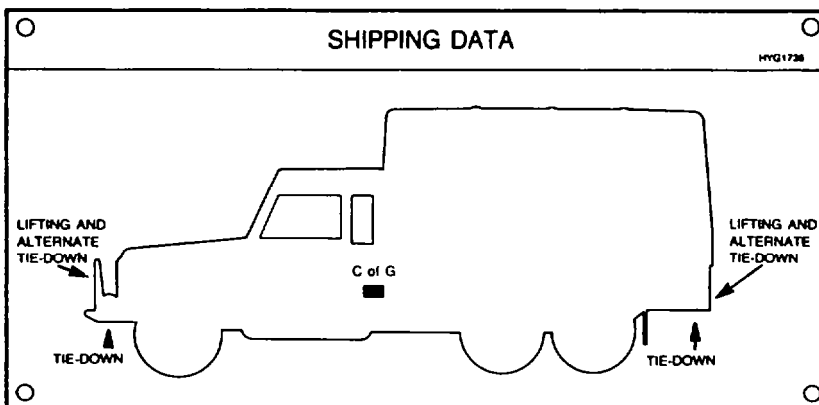
- ... SET GEARBOX AND TRANSFER CASE IN NEUTRAL.
- ... SET TRANSFER BOX CONTROL SWITCH IN "ON-ROAD" POSITION.
- ... ENSURE DIFF LOCK & 6WD WARNING LIGHTS ARE NOT ILLUMINATED.

FOR DISTANCE OVER 200 KM
REMOVE PROPELLER SHAFTS AND REPEAT ABOVE

DYNO TEST ON FRONT AXLE

- ... REMOVE PROPELLER SHAFTS FROM BOTH REAR AXLES
- ... SET TRANSFER BOX CONTROL SWITCH TO "CROSS COUNTRY"
- ... ENSURE DIFF LOCK WARNING LIGHT IS ILLUMINATED

HYG 2951



IDENTIFICATION AND INSTRUCTION LABELS

GROUP SGD
TITLE IDENTIFICATION AND INSTRUCTION LABELS

ITEM NO	DESIGNATION	NSN MANUFACTURER CODE/PART NO SUPPLIER CODE/PART NO	NO OFF	U O	E X	L* M* H*
001	PLATE, INSTRUCTION JACKING PROCEDURE	9905 66-128-4965 Z5394/HYG1764 Z5394/HYG1764	1	E	X	LMH
002	PLATE, NOMENCLATURE. (USE SGD 901 TO SECURE)	Z5394/HYG3686 Z5394/HYG3686	1			
003	PLATE, TOWING AND DYNO, TEST DATA, ANODISED ALUMINIUM, 97 MM BY 190 MM, 0.5 MM THK., MATT SILVER DETAILS ON MATT BLACK BACKGROUND. (USE SGD 901 TO SECURE)	Z5394/HYG2951 Z5394/HYG2951	1			
004	PLATE, INSTRUCTION 12 V, TRAILER SOCKET	9905 66-128-4967 Z5394/AYG9788 Z5394/AYG9788	1	E	X	LMH
005	PLATE, SHIPPING DATA, 90 MM BY 190 MM, 0.5 MM THK., MATT SILVER DETAILS ON MATT BLACK BACKGROUND. (USE SGD 901 TO SECURE)	Z5394/HYG1738 Z5394/HYG1738	1			
006	PLATE, C OF G, 38 MM BY 76 MM, 0.5 MM THK., ALUMINIUM, SILVER DETAILS ON BLACK BACKGROUND. (USE SGD 901 TO SECURE)	Z5394/HYG493 Z5394/HYG493	1			
007	LABEL UNDER DASH FUSES	7690 66-128-6034 Z5394/BYG9118 Z5394/BYG9118	1	E	X	LMH
008	PLATE, INSTRUCTION FUSES	9905 66-128-5961 Z5394/PRC8252 Z5394/PRC8252	1	E	X	LMH
009	PLATE, SERVICING DATA, 78 MM BY 190 MM, 0.5 MM THK., SILVER DETAILS ON BLACK BACKGROUND. (USE SGD 901 TO SECURE)	Z5394/HYG4888 Z5394/HYG4888	1			
010	PLATE, INSTRUCTION STAMPED, DIESEL FUEL, ALUMINIUM ALLOY ,0.6 MM THK	9905 66-128-4521 U1030/502951 Z5394/R502951	2	E	X	LMH
011	PLATE, INSTRUCTION BRAKE FLUID WARNING LABEL	9905 66-128-5280 Z5394/HYJ122 Z5394/HYJ122	1	E	X	LMH

* GRADE OF REPAIR (LIGHT MEDIUM OR HEAVY)

INLINE FUSES
 (LOCATED UNDER ASHTRAY ON DASH) (LOCATED UNDER CENTRE DASH COVER)

TWIN FUEL TANK VALVE CIGAR LIGHTER SIREN (AMBULANCE ONLY)	INSTRUMENT DIMMER SWITCH INSPECTION LIGHT SOCKET
---	---

—	10A	—
—	10A	—
—	10A	—

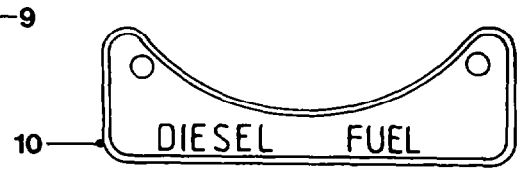
—	5A	—
—	15A	—

BYG911B

FUSES

1	2	3	4	5	6	7	8	9	10
7,5A	7,5A	7,5A	3A	5A	20A	20A	20A	15A	15A
11	12	13	14	15	16	17	18	19	20
15A	7,5A	3A	3A	3A	5A	20A	5A	5A	10A

SERVICING DATA				HYG 4888
COLD TYRE PRESSURES (kPa)	FRONT	HIGHWAY	CROSS COUNTRY	SAND
	REAR	350	275	225
LUBRICATION — NORMAL OR TROPICAL TEMPERATURES ENGINE OMD 115 MASTER CYLS OX (AUST.) 8 GEARBOX OMD 115 MANUAL STG. BOX OEP 220 TRANSFER BOX OMD 115 POWER STG. BOX OX46 or OX47 AXLES OEP 220 LUBE. NIPPLES XG274 SWIVEL PIN H'SING OEP 220 WINCH OEP 220				
ELECTRICAL — 12 VOLT NEGATIVE TO EARTH SYSTEM				



BRAKE SYSTEM

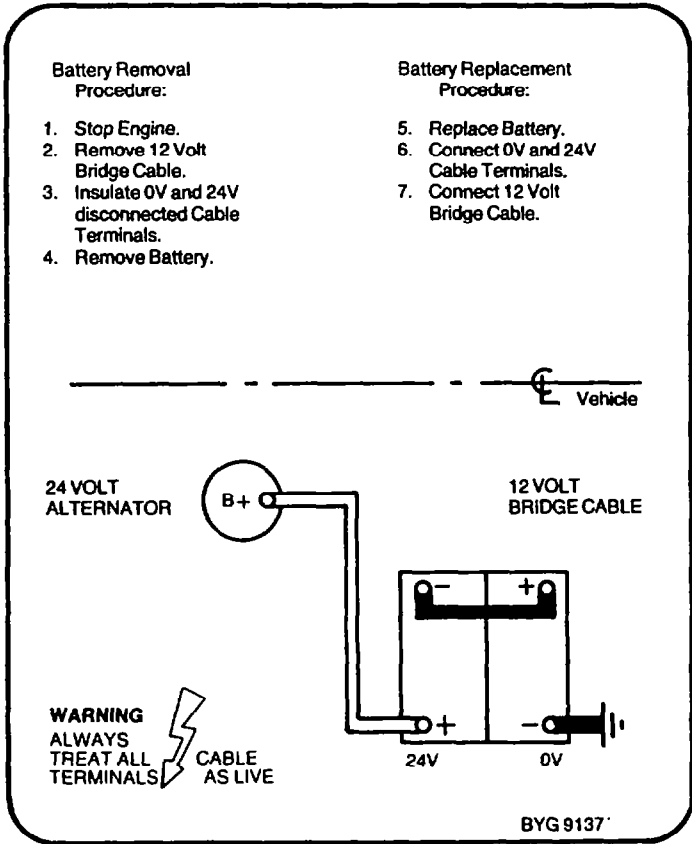
WARNING: CLEAN BOTTLE FILLER CAP BEFORE REMOVING USE ONLY BRAKE FLUID FROM A SEALED CONTAINER THIS FLUID MUST MEET THE REQUIREMENTS OF FMV SS 116 DOT 3 OR SAE J1703

IDENTIFICATION AND INSTRUCTION LABELS

GROUP SGD
TITLE IDENTIFICATION AND INSTRUCTION LABELS

ITEM NO	DESIGNATION	NSN MANUFACTURER CODE/PART NO SUPPLIER CODE/PART NO	NO OFF	U I	E P	L* M* H*
001	PLATE, INSTRUCTION JACKING PROCEDURE	9905 66-128-4965 Z5394/HYG1764 Z5394/HYG1764	1	EA	X	LMH
002	PLATE, NOMENCLATURE. (USE SGD 901 TO SECURE)	Z5394/HYG3686 Z5394/HYG3686	1			
003	PLATE, TOWING AND DYNO, TEST DATA, ANODISED ALUMINIUM, 97 MM BY 190 MM, 0.5 MM THK., MATT SILVER DETAILS ON MATT BLACK BACKGROUND. (USE SGD 901 TO SECURE)	Z5394/HYG2951 Z5394/HYG2951	1			
004	PLATE, INSTRUCTION 12 V, TRAILER SOCKET	9905 66-128-4967 Z5394/AYG9788 Z5394/AYG9788	1	EA	X	LMH
005	PLATE, SHIPPING DATA, 90 MM BY 190 MM, 0.5 MM THK., MATT SILVER DETAILS ON MATT BLACK BACKGROUND. (USE SGD 901 TO SECURE)	Z5394/HYG1738 Z5394/HYG1738	1			
006	PLATE, C OF G, 38 MM BY 76 MM, 0.5 MM THK., ALUMINIUM, SILVER DETAILS ON BLACK BACKGROUND. (USE SGD 901 TO SECURE)	Z5394/HYG493 Z5394/HYG493	1			
007	LABEL UNDER DASH FUSES	7690 66-128-6034 Z5394/BYG9118 Z5394/BYG9118	1	EA	X	LMH
008	PLATE, INSTRUCTION FUSES	9905 66-128-5961 Z5394/PRC8252 Z5394/PRC8252	1	EA	X	LMH
009	PLATE, SERVICING DATA, 78 MM BY 190 MM, 0.5 MM THK., SILVER DETAILS ON BLACK BACKGROUND. (USE SGD 901 TO SECURE)	Z5394/HYG4888 Z5394/HYG4888	1			
010	PLATE, INSTRUCTION STAMPED, DIESEL FUEL, ALUMINIUM ALLOY , 0.6 MM THK	9905 66-128-4521 U1030/502951 Z5394/R502951	2	EA	X	LMH
011	PLATE, INSTRUCTION BRAKE FLUID WARNING LABEL	9905 66-128-5280 Z5394/HYJ122 Z5394/HYJ122	1	EA	X	LMH

* GRADE OF REPAIR (LIGHT MEDIUM OR HEAVY)



THIS ENGINE COOLING SYSTEM IS PROTECTED WITH

ALFLOC 2001

THE LONG LIFE CORROSION INHIBITOR FOR ALUMINIUM ALLOY OR CAST IRON ENGINES

- DO NOT USE SUBSTITUTES OR UNTREATED TOP UP WATER
- RECOMMENDED DOSAGE RATE 50 ml ALFLOC 2001 PER LITRE (10.22 fl.oz) COOLING SYSTEM CAPACITY

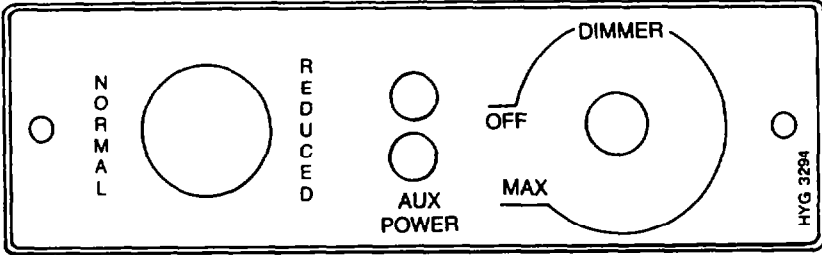
Made By CATOLEUM PTY. LTD.

12
13

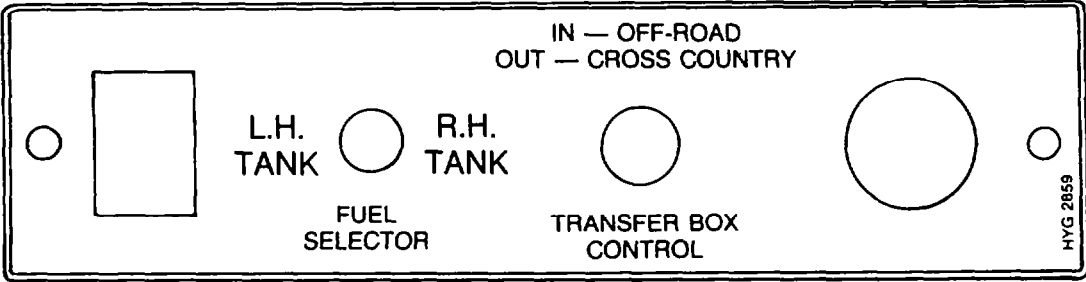
REFINISH THIS VEHICLE WITH ANZOL POLYURETHANE PAINTS (02) 736 3000

450-2022
OLIVE DRAB

14



15



16

IDENTIFICATION AND INSTRUCTION LABELS

GROUP SGD
TITLE IDENTIFICATION AND INSTRUCTION LABELS

ITEM NO	DESIGNATION	NSN MANUFACTURER CODE/PART NO SUPPLIER CODE/PART NO	NO	U	E	L*
			OFF	O	X	M*
			I	P	H	
012	SIGN FACE, ADHESIVE BATTERY REMOVAL PROCEDURE	9905 66-128-5823 Z5394/BYG9137 Z5394/BYG9137	1	EA	X	LMH
013	PLATE, INSTRUCTION ALFLOC 2001 INHIBITOR	9905 66-128-4969 Z5394/MYH3266 Z5394/MYH3266	1	EA	X	LMH
014	LABEL, PAINT FINISH, 70 MM BY 35 MM, SELF ADHESIVE.	Z5394/HYG2712 Z5394/HYG2712	1			
015	PLATE, INSTRUCTION 200.0 MM LG, 58.0 MM W, 1.6 MM THK, ALUMINIUM, ANODIZED BLACK, SILVER CHARACTERS AUX POWER, DIMMER	9905 66-128-5824 Z5394/HYG3294 Z5394/HYG3294	1	EA	X	LMH
016	PLATE, INSTRUCTION 236.0 MM LG, 58.0 MM W, 1.6 MM THK, ALUMINIUM, ANODIZED BLACK, SILVER CHARACTERS FUEL SELECTOR, TRANSFER BOX CONTROL	9905 66-128-5825 Z5394/HYG2859 Z5394/HYG2859	1	EA	X	LMH
017	PLATE, INSTRUCTION HIGH/LOW RANGE, SELF ADHESIVE (MODIFIED VIDE EMEI VEH. G 297-2)	9905 66-128-5888 Z5394/HYG4063 Z5394/HYG4063	1	EA	X	LMH
018	PLATE, INSTRUCTION ENGINE AND TRANSFER BOX INSTRUCTION (USE SGD 902 TO SECURE)	9905 66-128-5847 Z5394/HYG2950 Z5394/HYG2950	1	EA	X	LMH
019	LOGO LANDROVER SELF ADHESIVE, 195 MM LG, 95 MM WIDTH SILVER LETTERS ON BLACK BACKGROUND.	2540 66-128-6103 Z5394/MXC6401 Z5394/MXC6401	1	EA	X	LMH
020	LABEL, HEATER CONTROLS, SELF ADHESIVE.	Z5394/HYG3510 Z5394/HYG3510	1			
021	DECAL, TYRE DATA, 100 MM BY 75 MM W., SILVER CHARACTERS, MATT BLACK SCREEN PRINTED BACKGROUND, SELF ADHESIVE.	Z5394/BYG5310 Z5394/BYG5310	1			
022	PLATE, MODIFICATION RECORD ALUMINIUM, 90MM LG BY 60MM W BY 1MM THK (USE SGD 901 TO SECURE)	9905 66-016-3535 Z5394/HYG4282 Z5394/HYG4282	1	EA	X	LMH

* GRADE OF REPAIR (LIGHT MEDIUM OR HEAVY)

17

CAUTION

TO PREVENT DAMAGE TO
HIGH/LOW RANGE GEARS:

- 1) ONLY CHANGE RANGE WHEN VEHICLE IS **STATIONARY**
- 2) SELECT REQUIRED RANGE **AND MAINTAIN EFFORT ON LEVER UNTIL VEHICLE IS IN MOTION**

18

IMPORTANT

THE ENGINE SHOULD BE ALLOWED TO OPERATE AT IDLE SPEED FOR 5 TO 10 SECONDS IMMEDIATELY AFTER START-UP & BEFORE SHUT DOWN

CARE SHOULD BE TAKEN NOT TO OPERATE THE VEHICLE ON SEALED ROADS WITH THE TRANSFER BOX CONTROL SWITCH IN THE CROSS COUNTRY POSITION.

THE TRANSFER BOX CONTROL SWITCH CAN BE ENGAGED OR DISENGAGED WHILE THE VEHICLE IS MOVING THE ACCELERATOR SHOULD BE RELEASED MOMENTARILY WHILE ACTIVATING THE SWITCH.

CHANGES FROM HIGH TO LOW RANGE OR FROM LOW BACK TO HIGH RANGE SHOULD ONLY BE MADE WHILE THE VEHICLE IS STATIONARY

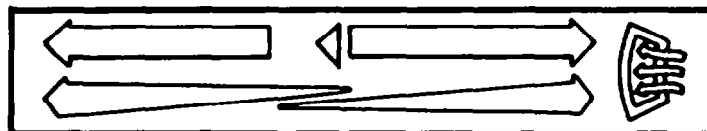
HYG 2950



19

MOD. RECORD ASSY. CAT. No.				
[]				
1	6	11	16	21
2	7	12	17	22
3	8	13	18	23
4	9	14	19	24
5	10	15	20	25

22



20

LAND ROVER 110 6x6		
TYRE SIZE	PLY/LOAD INDEX	RIM SIZE
7.50R 16LT 7.50 16LT LT235/85R16	8/114 . 10/118 8/112 8/120	6.00 Fx16 6.00 Gx16
LOAD CARRYING CAPACITY (kg)		FRONT AXLE
		REAR AXLES
COLD TYRE PRESSURES kPa (PSI)		1900 4100
		350(50) 400(58)

NOTE THE SUM OF THE LOAD CARRYING CAPACITIES OF THE TYRES FITTED TO ANY AXLE OR AXLE GROUP OF THIS VEHICLE SHALL NOT BE LESS THAN THE RELEVANT LOAD SHOWN ABOVE.
THE TYRES FITTED TO THIS VEHICLE SHALL HAVE A SPEED CATEGORY AT LEAST EQUAL TO THE RECOMMENDED MAX. VEHICLE OPERATING SPEED 105km/h.

21

IDENTIFICATION AND INSTRUCTION LABELS

GROUP SGD
TITLE IDENTIFICATION AND INSTRUCTION LABELS

ITEM NO	DESIGNATION	NSN MANUFACTURER CODE/PART NO SUPPLIER CODE/PART NO	NO OFF	U I	E O	L X	L* M*
012	SIGN FACE, ADHESIVE BATTERY REMOVAL PROCEDURE	9905 66-128-5823 Z5394/BYG9137 Z5394/BYG9137	1	EA		X	LMH
013	PLATE, INSTRUCTION ALFLOC 2001 INHIBITOR	9905 66-128-4969 Z5394/MYH3266 Z5394/MYH3266	1	EA		X	LMH
014	LABEL, PAINT FINISH, 70 MM BY 35 MM, SELF ADHESIVE.	Z5394/HYG2712 Z5394/HYG2712	1				
015	PLATE, INSTRUCTION 200.0 MM LG, 58.0 MM W, 1.6 MM THK, ALUMINIUM, ANODIZED BLACK, SILVER CHARACTERS AUX POWER, DIMMER	9905 66-128-5824 Z5394/HYG3294 Z5394/HYG3294	1	EA		X	LMH
016	PLATE, INSTRUCTION 236.0 MM LG, 58.0 MM W, 1.6 MM THK, ALUMINIUM, ANODIZED BLACK, SILVER CHARACTERS FUEL SELECTOR, TRANSFER BOX CONTROL	9905 66-128-5825 Z5394/HYG2859 Z5394/HYG2859	1	EA		X	LMH
017	PLATE, INSTRUCTION HIGH/LOW RANGE, SELF ADHESIVE (MODIFIED VIDE EMEI VEH. G 297-2)	9905 66-128-5888 Z5394/HYG4063 Z5394/HYG4063	1	EA		X	LMH
018	PLATE, INSTRUCTION ENGINE AND TRANSFER BOX INSTRUCTION (USE SGD 902 TO SECURE)	9905 66-128-5847 Z5394/HYG2950 Z5394/HYG2950	1	EA		X	LMH
019	LOGO LANDROVER SELF ADHESIVE, 195 MM LG, 95 MM WIDTH SILVER LETTERS ON BLACK BACKGROUND.	2540 66-128-6103 Z5394/MXC6401 Z5394/MXC6401	1	EA		X	LMH
020	LABEL, HEATER CONTROLS, SELF ADHESIVE.	Z5394/HYG3510 Z5394/HYG3510	1				
021	DECAL, TYRE DATA, 100 MM BY 75 MM W., SILVER CHARACTERS, MATT BLACK SCREEN PRINTED BACKGROUND, SELF ADHESIVE.	Z5394/BYG5310 Z5394/BYG5310	1				
022	PLATE, MODIFICATION RECORD ALUMINIUM, 90MM LG BY 60MM W BY 1MM THK (USE SGD 901 TO SECURE)	9905 66-016-3535 Z5394/HYG4282 Z5394/HYG4282	1	EA		X	LMH

* GRADE OF REPAIR (LIGHT MEDIUM OR HEAVY)

23

THIS VEHICLE WAS MANUFACTURED BY
 JRA Limited
 TO COMPLY WITH AUSTRALIAN DESIGN RULE Nos.
 1-2-4C-5B-6A-7-8-12
 15-17-28A-30-35A

LANDROVER MILITARY 6X6
 SALLDMAZ1BY573882
 4/89 G.V.M. 5600 KG. SEATING CAP 3
 THIS PLATE IS AFFIXED WITH THE APPROVAL OF THE
 AUSTRALIAN MOTOR VEHICLE CERTIFICATION BOARD

24

Cyclopac Air Cleaner

Service Instructions (See Owner's Manual for detailed instructions)

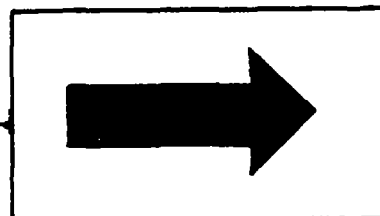
- 1 Service element only when restriction reaches allowable limit.
- 2 Wipe inside of air cleaner with damp cloth
- 3 Inspect gaskets, system and tighten clamps
- 4 Check replacement element for any damage

DO NOT OVERSERVICE ELEMENT

Donaldson			
	Air Cleaner	Main Element	Safety Element
Customer			

©1994 by Donaldson Australasia Pty. Limited Wymong NSW

25

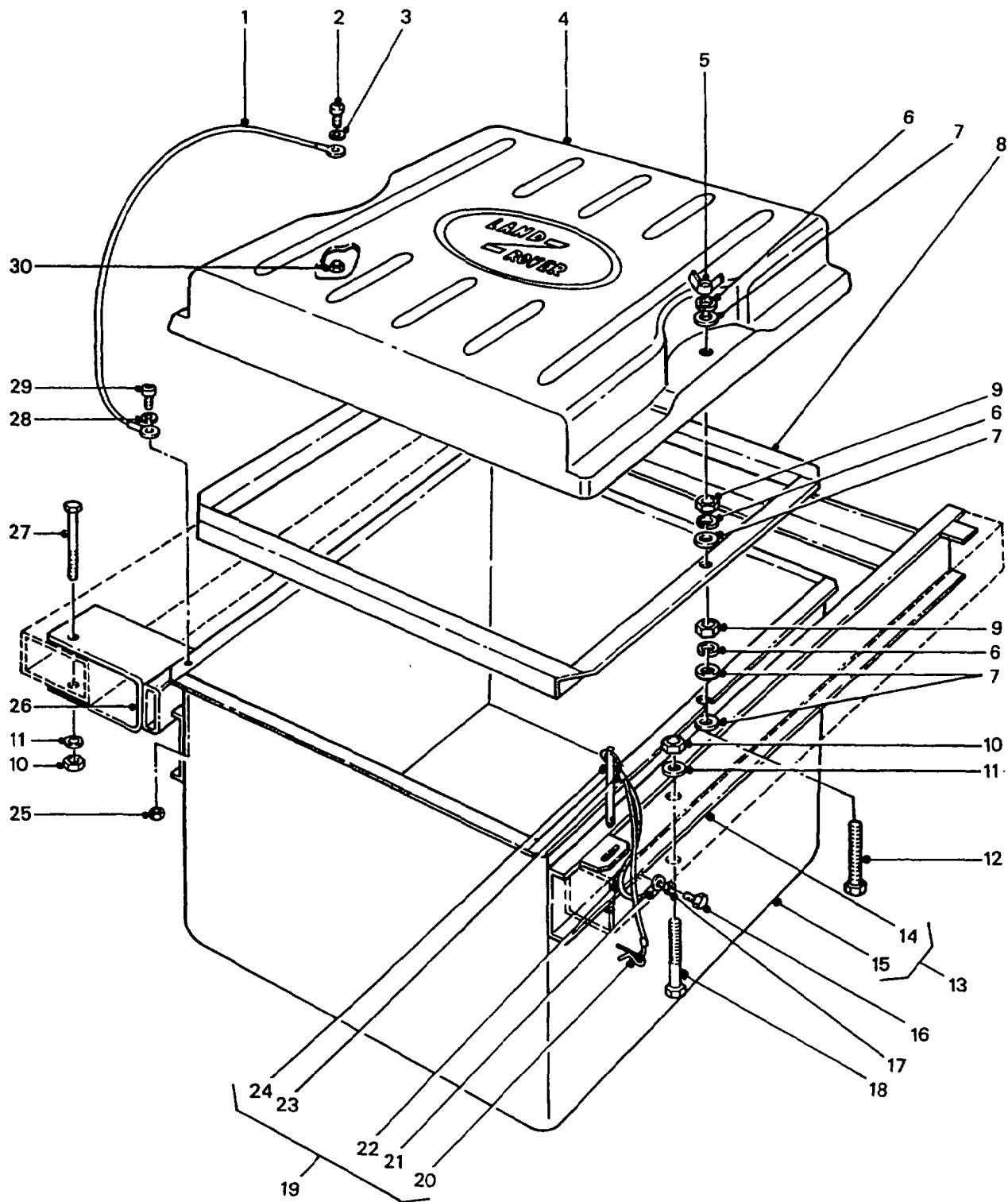


IDENTIFICATION AND INSTRUCTION LABELS

GROUP SGD
TITLE IDENTIFICATION AND INSTRUCTION LABELS

ITEM NO	DESIGNATION	NSN MANUFACTURER CODE/PART NO SUPPLIER CODE/PART NO	NO	U	E	L*
			OFF	O	X	M*
				I	P	H*
023	PLATE, COMPLIANCE, ADR, ALUMINIUM. (USE SGD 901 TO SECURE)	Z5394/MYH3362 Z5394/MYH3362	1			
024	LABEL, CYCLOPAC (DONALDSON) AIR CLEANER, SELF ADHESIVE.	18265/P90-0612 18265/P90-0612	1			
901	RIVET, BLIND, MONEL, DOME HD, CAD PLATED, 1/8 IN. SHANK DIA., 0.290 IN. LG. (USE AS REQUIRED)	U1030/RA608176 Z5394/RA608176	22			
902	RIVET, BLIND ALUMINIUM ALLOY, DOME HD, MECH EX TYPE , 3/16 IN. DIA, 7/16 IN. LG (USE AS REQUIRED)	5320 99-970-3518 U1030/78248 Z5394/R78248	4	EA	X	LMH
025	LABEL, ADHESIVE, BONNET RELEASE ADVICE, BLACK ARROW ON YELLOW BACKGROUND, 38 MM BY 22 MM (MODIFIED VIDE EMEI VEH. G 187-6)	Z4058/44038 Z5394/MYH3604	1			

* GRADE OF REPAIR (LIGHT MEDIUM OR HEAVY)

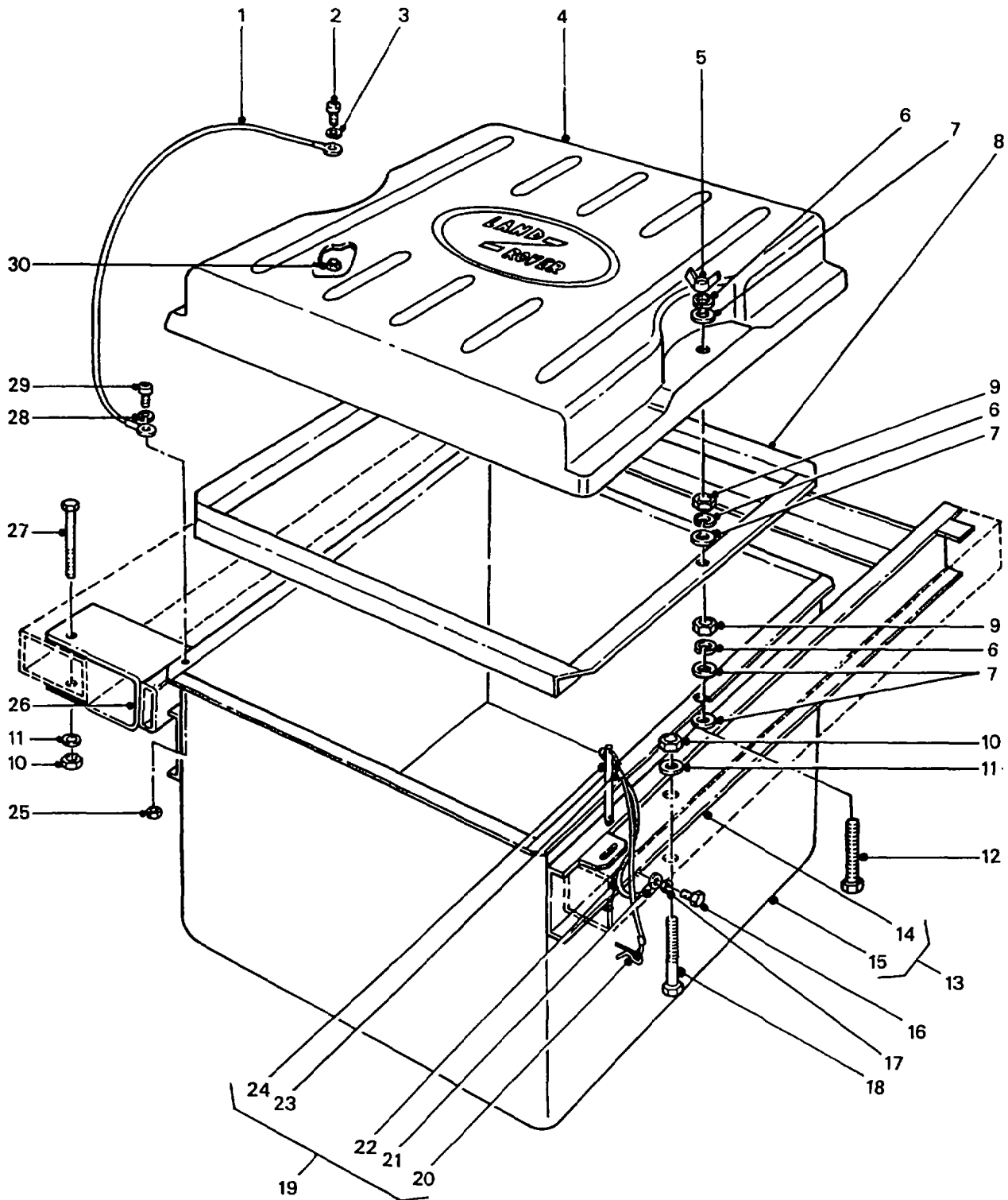


BATTERY CARRIER - 24 VOLT

GROUP SQG
TITLE BATTERY CARRIER - 24 VOLT

ITEM NO	DESIGNATION	NSN MANUFACTURER CODE/PART NO SUPPLIER CODE/PART NO	NO OFF	U	E	L*
				O I	X P	M* H*
001	WIRE, KEEPER, COVER TO BATTERY BOX.	Z5394/HYG2812 Z5394/HYG2812	1			
002	SCREW, MACHINE ISO METRIC, STEEL, PAN/HD, SLOT DRIVE, ZINC/PLATED, 6.0 MM DIA, 1.0 MM PITCH, 16.0 MM LG.	5305 99-135-0440 U1030/SE106161 Z5394/SE106161	1EA	X		LMH
003	WASHER, FLAT STEEL, RD, CADMIUM PLATED, 6 MM BOLT SIZE, 12.5 MM OD, 1.32 MM THK	5310 66-098-4440 Z5394/WA106041 Z5394/WA106041	1EA	X		LMH
004	COVER, BATTERY RETAINER	6160 66-128-5865 Z5394/AYG9856 Z5394/AYG9856	1EA	X		LMH
005	NUT, PLAIN, WING ISO METRIC, STEEL, ZINC COATED, 8 MM	5310 66-128-5340 Z5394/NA108011 Z5394/NA108011	2EA	X		LMH
006	WASHER, LOCK SPRING, STEEL, SINGLE TURN, SQUARE SECTION, ZINC PLATED, 8 MM BOLT SIZE	5310 99-138-9227 U1030/WL108001 Z5394/WL108001	4EA	X		LMH
007	WASHER, FLAT STEEL, ZINC COATED, 8.40 MM ID, 25 MM OD, 2 MM THK	5310 12-154-2190 U1030/WJ108001 Z5394/WJ108001	7EA	X		LMH
008	CLAMP, BATTERY RETENTION	Z5394/AYG9733 Z5394/AYG9733	1			
009	NUT, PLAIN, HEXAGON ISOMETRIC, 6H, STEEL, ZINC PLATED AND CHROMATED, 8 MM DIA, 13 MMW A/F, 5 MM H O/A, CSK BOTH FACES	5310 99-139-0313 U1030/NT108041 Z5394/NT108041	4EA	X		LMH
010	NUT, SELF-LOCKING, HEXAGON STEEL, CAD PLATED, ALL METAL DESIGN, 10 MM X 1-50 MM PITCH, 17 MM A/F X 11 MM O/A H	5310 99-138-1473 U1030/NV110041 Z5394/NV110041	1EA	X		LMH
011	WASHER, FLAT 10.0 MILLIMETRE I.D., ZINC PLATED	5310 99-122-6476 U1030/WA110061 Z5394/WA110061	1EA	X		LMH
012	SCREW, CAP, HEXAGON HEAD AD, 8MM DIA, 70MM LG, ZINC PLATED, COARSE THREAD	5305 99-630-0095 U1030/SH108701 Z5394/SH108701	1EA	X		LMH

* GRADE OF REPAIR (LIGHT MEDIUM OR HEAVY)

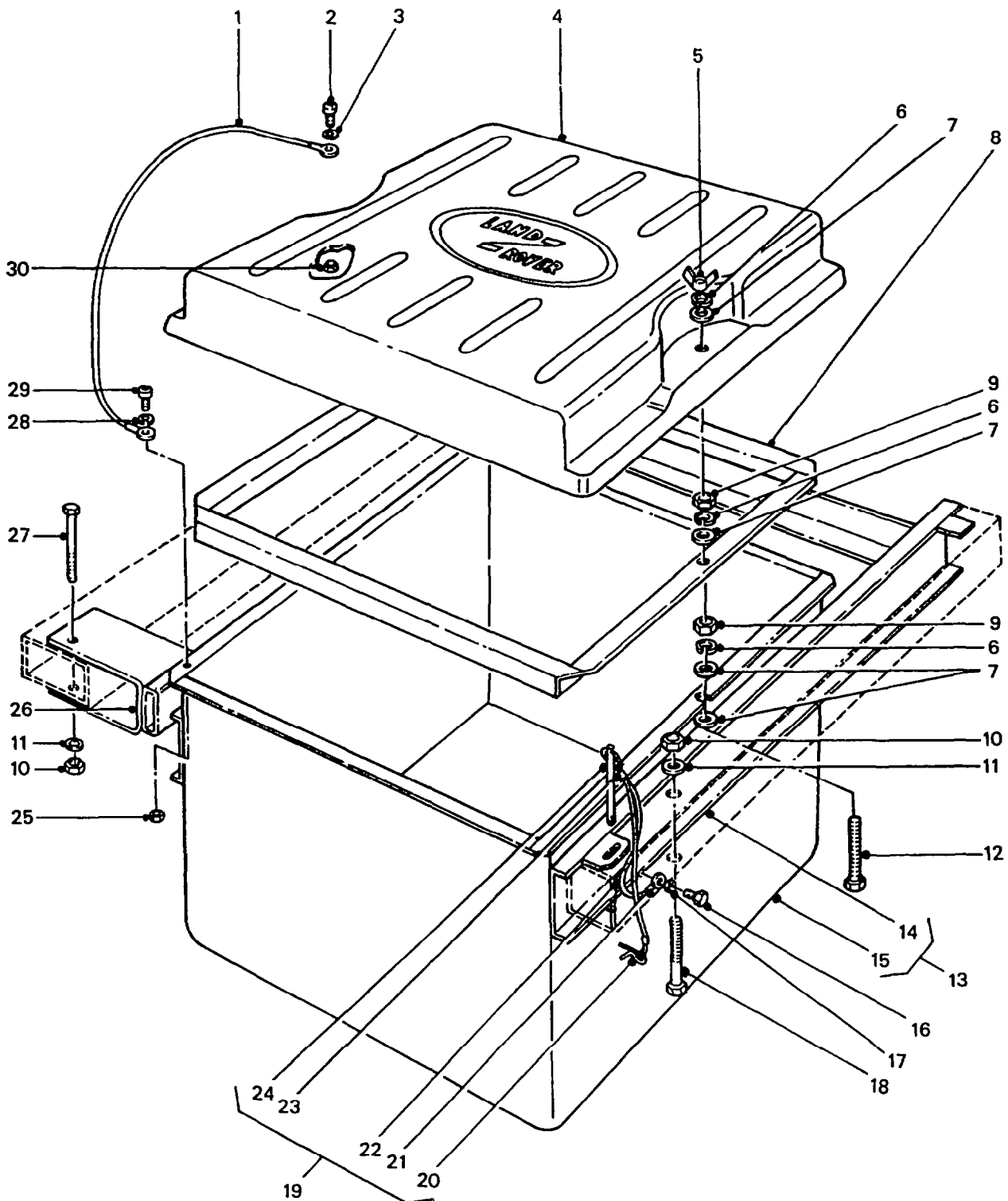


BATTERY CARRIER - 24 VOLT

GROUP SQG
 TITLE BATTERY CARRIER - 24 VOLT

ITEM NO	DESIGNATION	NSN MANUFACTURER CODE/PART NO SUPPLIER CODE/PART NO	NO OFF	U O	E X	L* M*
				I	P	H*
013	BOX ASSEMBLY, BATTERY CARRIER, WELDED (INCLUDES SQG 014 AND SQG 015)	Z5394/AYG9840 Z5394/AYG9840	1			
014	CHANNEL, BATTERY CARRIER BOX (USE SQG 013.)	/NIL /NIL	1			
015	BOX, BATTERY CARRIER (USE SQG 013.)	/NIL /NIL	1			
016	SCREW, TAPTITE, HEX. HD., SELF TAPPING, 14 MM DIA., 12 MM THD LG., 22 MM LG.	Z5394/MYH3337 Z5394/MYH3337	1			
017	WASHER, LOCK, STEEL, 6.10 MM I.D., 9.70 MM O.D., 1.50 MM THK WASHER	U1030/WL106001 Z5394/WL106001	1			
018	BOLT, HEX. HD., PRECISION, 10 MM DIA., 65 MM LG., ZINC PLATED.	U1030/BH110131 Z5394/BH110131	1			
019	PIN, RETAINING W/KEEPER WIRE, FFR BATTERY TRAY (INCLUDES SQG 020 TO SQG 024)	5315 66-128-5915 Z5394/AYG8788 Z5394/AYG8788	1	E	X	LMH
020	CLIP, GRIP. (ALSO PART OF SQG 019.)	Z5394/MYH3114 Z5394/MYH3114	1			
021	EYELET, 6 MM HOLE DIA., ZINC PLATED. (USE SQG 019.)	/NIL /NIL	1			
022	WIRE, GALVANISED, 1.6 MM DIA., 240 MM OVERALL LG. (USE SQG 019.)	/NIL /NIL	1			
023	CRIMP. (USE SQG 019.)	/NIL /NIL	2			
024	PIN, 10 MM DIA., 80 MM LG., MILD STEEL, AS1204. (USE SQG 019.)	/NIL /NIL	1			
025	NUT, NYLON INSERT, HEX., 5 MM DIA., 4 MM THK., ZINC PLATED.	U1030/NY105041 Z5394/NY105041	1			

* GRADE OF REPAIR (LIGHT MEDIUM OR HEAVY)

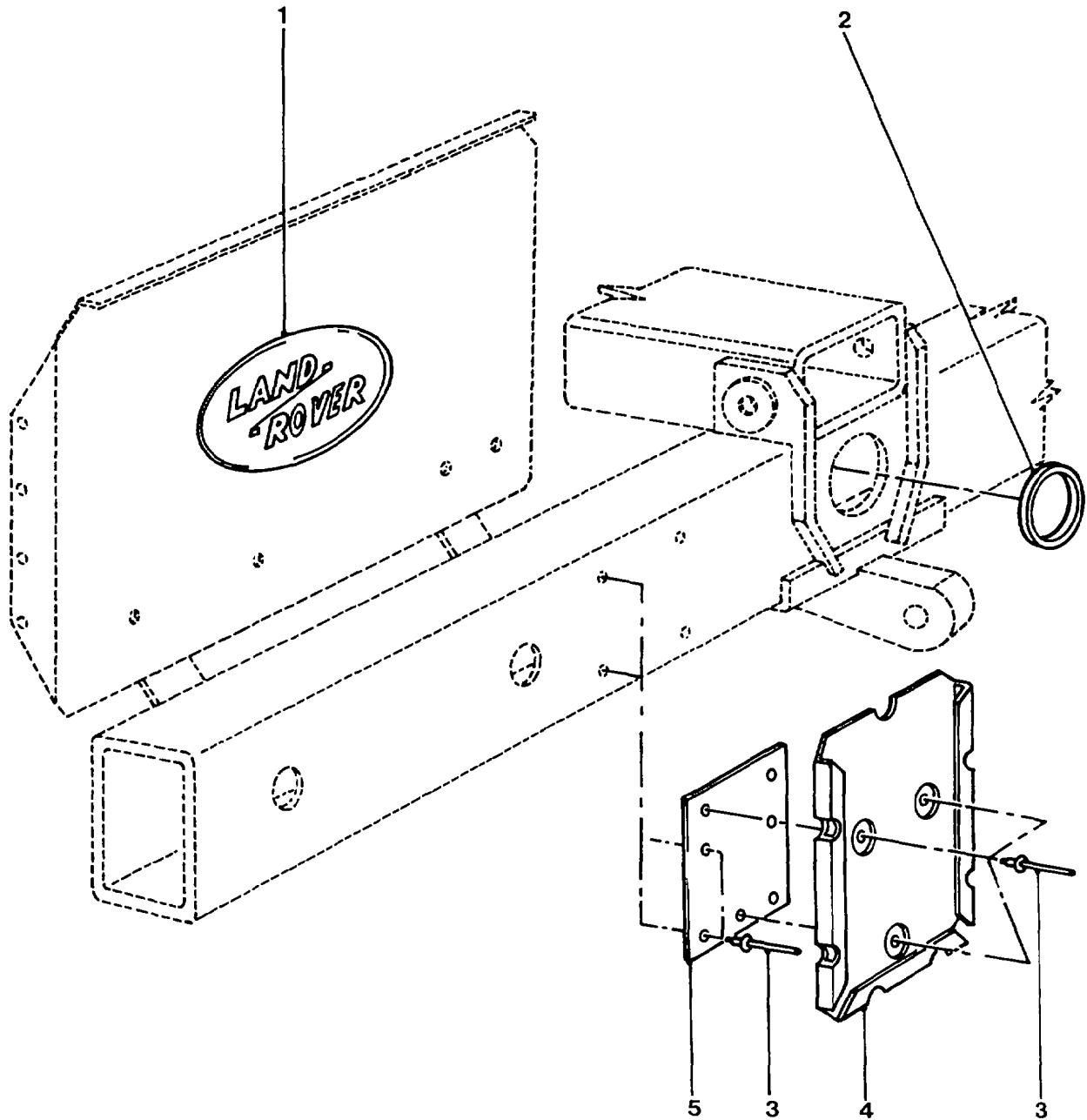


BATTERY CARRIER - 24 VOLT

GROUP SQG
TITLE BATTERY CARRIER - 24 VOLT

ITEM NO	DESIGNATION	NSN MANUFACTURER CODE/PART NO SUPPLIER CODE/PART NO	NO OFF	U O I	E X P	L* M* H*
026	CHANNEL, BATTERY BOX SLIDE, FRONT, LEFT HAND CHASSIS OUTRIGGER.	Z5394/AYG9839 Z5394/AYG9839	1			
027	BOLT, EXTERNALLY RELIEVED BODY L, ZINC PLATED, 10 MM DIA BY 80 MM LG	5306 99-788-9287 U1030/BH110161 Z5394/BH110161	1	EA	X	LMH
028	WASHER, FLAT ROUND, STEEL, ZINC PLATED, 5 MM BOLT SIZE	5310 99-122-3032 U1030/WA105001 Z5394/WA105001	1	EA	X	LMH
029	SCREW, MACHINE METRIC, STEEL, PAN HD, 5 MM BY 16 MM LG	5305 99-135-0430 U1030/SE105161 Z5394/SE105161	1	EA	X	LMH
030	NUT, SELF-LOCKING, HEXAGON	5310 99-138-8423 U1030/NY106041 Z5394/NY106041	1	EA	X	LMH

* GRADE OF REPAIR (LIGHT MEDIUM OR HEAVY)

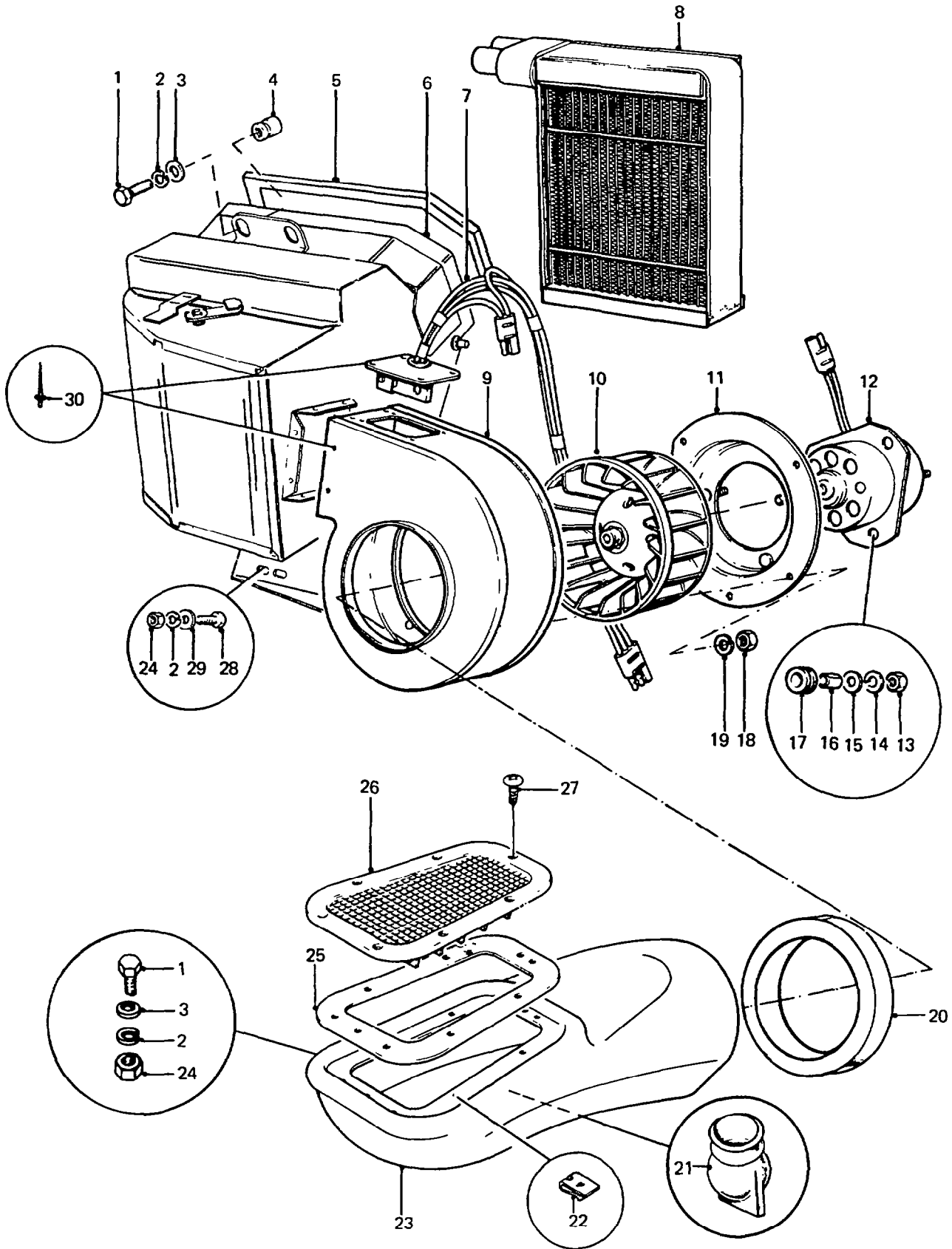


REAR - END BODY FIXTURES

GROUP STA
TITLE REAR-END BODY FIXTURES

ITEM NO	DESIGNATION	NSN MANUFACTURER CODE/PART NO SUPPLIER CODE/PART NO	NO	U	E	L*
			OFF	O	X	M*
			I	P	H	
001	LOGO, LANDROVER, OVAL, SELF ADHESIVE, 195 MM LG., 95 MM W., SILVER LETTERS ON BLACK BACKGROUND (REFER GROUP SGD 029)	Z5394/MXC6401 Z5394/MXC6401	1			
002	PLUG, PROTECTIVE, DUST AND MOISTURE SEAL SELECTOR VALVE FIXTURE ACCESS	5340 66-128-5456 Z5394/MYH3206 Z5394/MYH3206	2	EA	X	LMH
003	RIVET, BLIND ALUMINIUM ALLOY, DOME HD, MECH EX TYPE, 3/16 IN. DIA, 7/16 IN. LG	5320 99-970-3518 U1030/78248 Z5394/R78248	14	EA	X	LMH
004	HOLDER, VEHICLE UNIT AND FORMATION SIGN PLATE STEEL, PAINTED DEEP BRONZE GREEN, 6.094 IN. LG, 0.297 IN. O/A W, 6.000 IN. H, W/3 RAISED MTG HOLES, TO SUIT	2590 66-016-0815 Z1526/FLA23464 Z5394/HYK2674	2	EA	X	LMH
005	ADAPTOR, UNIT SIGN HOLDER TO CHASSIS REAR CROSSMEMBER, 1.6 MM GALVABOND, 92 MM BY 76 MM, 7 BY 5 MM DIA. HOLES.	Z5394/AYG8688 Z5394/AYG8688	2			

* GRADE OF REPAIR (LIGHT MEDIUM OR HEAVY)

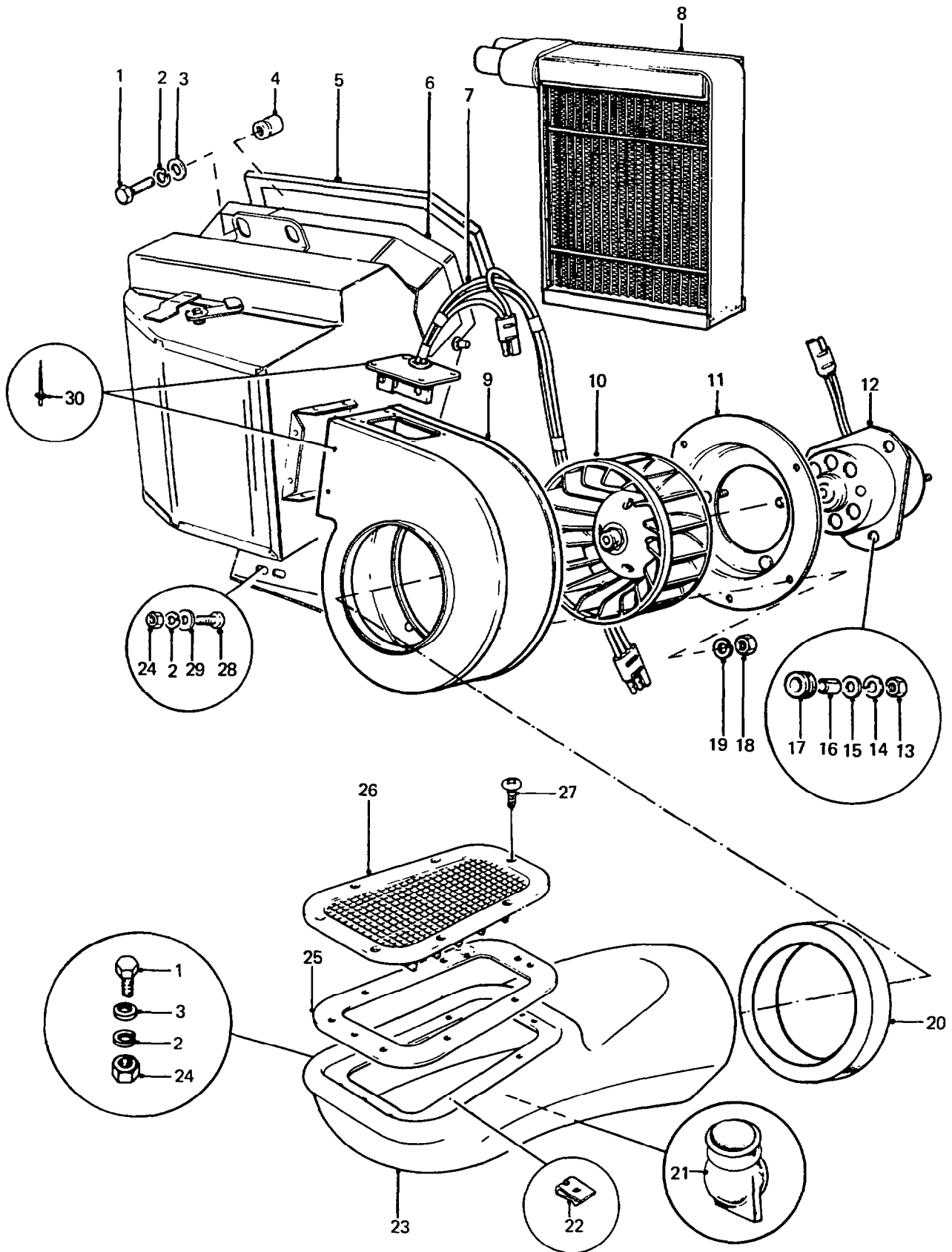


HEATER AND DUCTING - CAB

GROUP TA
TITLE HEATER AND DUCTING - CAB

ITEM NO	DESIGNATION	NSN MANUFACTURER CODE/PART NO SUPPLIER CODE/PART NO	NO OFF	U	E	L*
				O	X	M*
				I	P	H*
001	SCREW, MACHINE, ISOMETRIC, 6G, STEEL, HEX HD, ZINC PLATED, 6 MM BY 1 MM PITCH, 20 MM LG.	U1030/FS106201 Z5394/FS106201	5			
002	WASHER, LOCK, STEEL, 6.10 MM I.D., 9.70 MM O.D., 1.50 MM THK.	U1030/WL106001 Z5394/WL106001	7			
003	WASHER, FLAT, RD, STEEL, ZINC COATED, 6 MM ID, LARGE O.D. AND THICKNESS	Z5394/WJ106001 Z5394/WJ106001	5			
004	NUTSERT, 6 MM DIA., 14.5 MM LG., STEEL, OPEN END, FLAT HEAD. (ALSO PART OF CAB ASSEMBLY)	U1030/MM106301 Z5394/MM106301	4			
005	WASHER, JOINT, HEATER, 294 MM LG., 81 MM W., 1.5 MM THK., CLOSED CELL NEOPRENE FOAM, ADHESIVE ONE SIDE.	Z5394/HYG3613 Z5394/HYG3613	1			
006	HEATER, VEHICULAR, COMPARTMENT HOT WATER COIL TYPE, C/W ELECTRIC MOTOR AND BLOWER. (INCLUDES TA 007, TA 008, TA 009 TO TA 019 AND TA 030, LATE TYPE)	2540 66-128-5769 Z5394/HYG6088 Z5394/HYG6088	1	EA	A	LMH
901	HEATER, VEHICULAR, COMPARTMENT, EARLY TYPE (INCLUDES TA 903 TO TA 019 AND TA 030, USE TA 006)	Z5394/HYG2965 Z5394/HYG2965	1			
902	HEATER MOTOR ASSEMBLY, SUPPRESSED. (INCLUDES TA 009 TO TA 017)	2540 99-737-8070 U1030/UTP1267 Z5394/UTP1267	1	AY	A	LMH
007	WIRING HARNESS, VEHICLE HEATER, C/W RESISTOR (USE TA 006 OR TA 901)	/NIL /NIL	1			
008	RADIATOR, VEHICULAR COMPARTMENT HEATER SINGLE CORE, FLANGED CONNECTIONS. (LATE TYPE CORE WITH STRAIGHT INLET/OUTLET PIPES, ALSO PART OF TA 006)	2540 66-128-6238 U1030/UTP1725 Z5394/UTP1725	1	EA	A	MH
903	RADIATOR, HEATER, VEHICULAR COMPARTMENT (EARLY TYPE CORE WITH BENT INLET/OUTLET PIPES, ALSO PART OF TA 901)	2540 99-721-4399 U1030/AAP817 Z5394/AAP817	1	EA	A	MH

* GRADE OF REPAIR (LIGHT MEDIUM OR HEAVY)



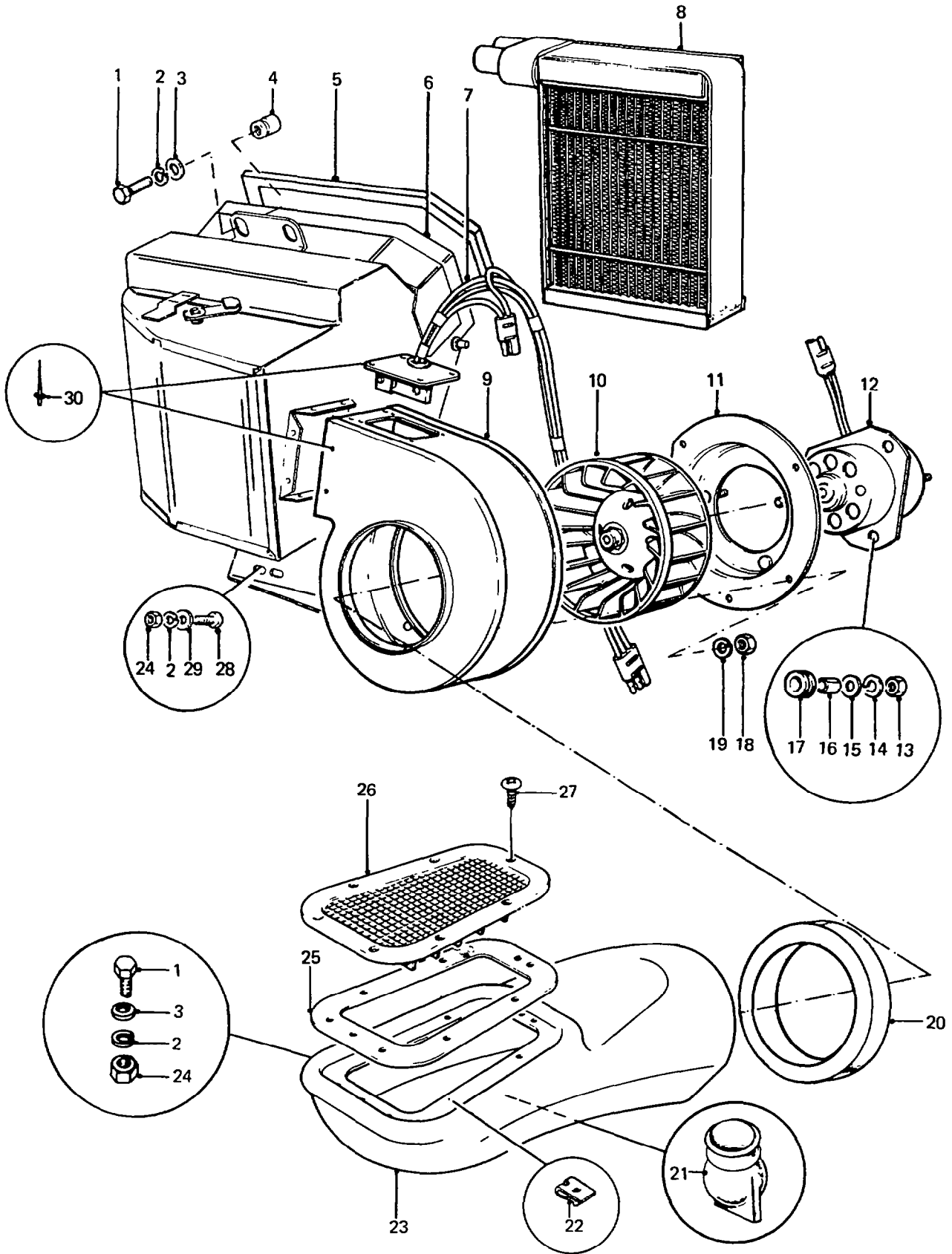
HEATER AND DUCTING - CAB

GROUP TA
 TITLE HEATER AND DUCTING - CAB

ITEM NO	DESIGNATION	NSN MANUFACTURER CODE/PART NO SUPPLIER CODE/PART NO	NO OFF	U I	E P	L* M* H*
009	RADIATOR, HEATER, VEHICULAR COMPARTMENT (USE TA 006 OR TA 901)	/NIL /NIL	1			
010	IMPELLER, FAN, CENTRIFUGAL (USE TA 006, TA 901 OR TA 902)	/NIL /NIL	1			
011	COVER, ROTOR. (USE TA 006, TA 901 OR TA 902)	/NIL /NIL	1			
012	MOTOR ASSEMBLY. (USE TA 006, TA 901 OR TA 902)	/NIL /NIL	1			
013	NUT, PLAIN, HEXAGON ISO METRIC, 6H, GRADE 8 STEEL, CAD PLATED AND PASSIVATED, 5 MM DIA, 8 MM W A/F, 4 MM H O/A (ALSO PART OF TA 006, TA 901 AND TA 902)	5310 66-098-4400 Z5394/NH105041 Z5394/NH105041	3	EA	X	LMH
014	WASHER, LOCK SPRING TENSION, 5 MM ID, ZINC PLATED (ALSO PART OF TA 006, TA 901 AND TA 902)	5310 99-977-1102 U1030/WL105001 Z5394/WL105001	3	EA	X	LMH
015	WASHER, FLAT ROUND, STEEL, ZINC PLATED, 5 MM BOLT SIZE (ALSO PART OF TA 006, TA 901 AND TA 902)	5310 99-122-3032 U1030/WA105001 Z5394/WA105001	3	EA	X	LMH
016	SPACER, STEEL, ANODISED, 6.5 MM O.D., 5 MM I.D., 5.5 MM LG., SPLIT (ALSO PART OF TA 006, TA 901 AND TA 902)	U1030/CKZ6486 Z5394/CKZ6486	3			
017	GROMMET. (ALSO PART OF TA 006, TA 901 AND TA 902)	U1030/CKZ6473 Z5394/CKZ6473	3			
018	NUT. HEX. (USE TA 006 OR TA 901)	/NIL /NIL	5			
019	WASHER, SPRING. (USE TA 006 OR TA 901)	/NIL /NIL	5			
020	SEAL, AIR DUCT OPEN CELL POLYURETHANE, 111.0 MM ID, 1500 MM OD, 30.0 MM THK.	2540 99-721-4413 U1030/MRC8378 Z5394/MRC8378	1	EA	X	LMH

ISSUE NO: 1 REPAIR PARTS SCALE : 02222 PAGE NO: 49

* GRADE OF REPAIR (LIGHT MEDIUM OR HEAVY)

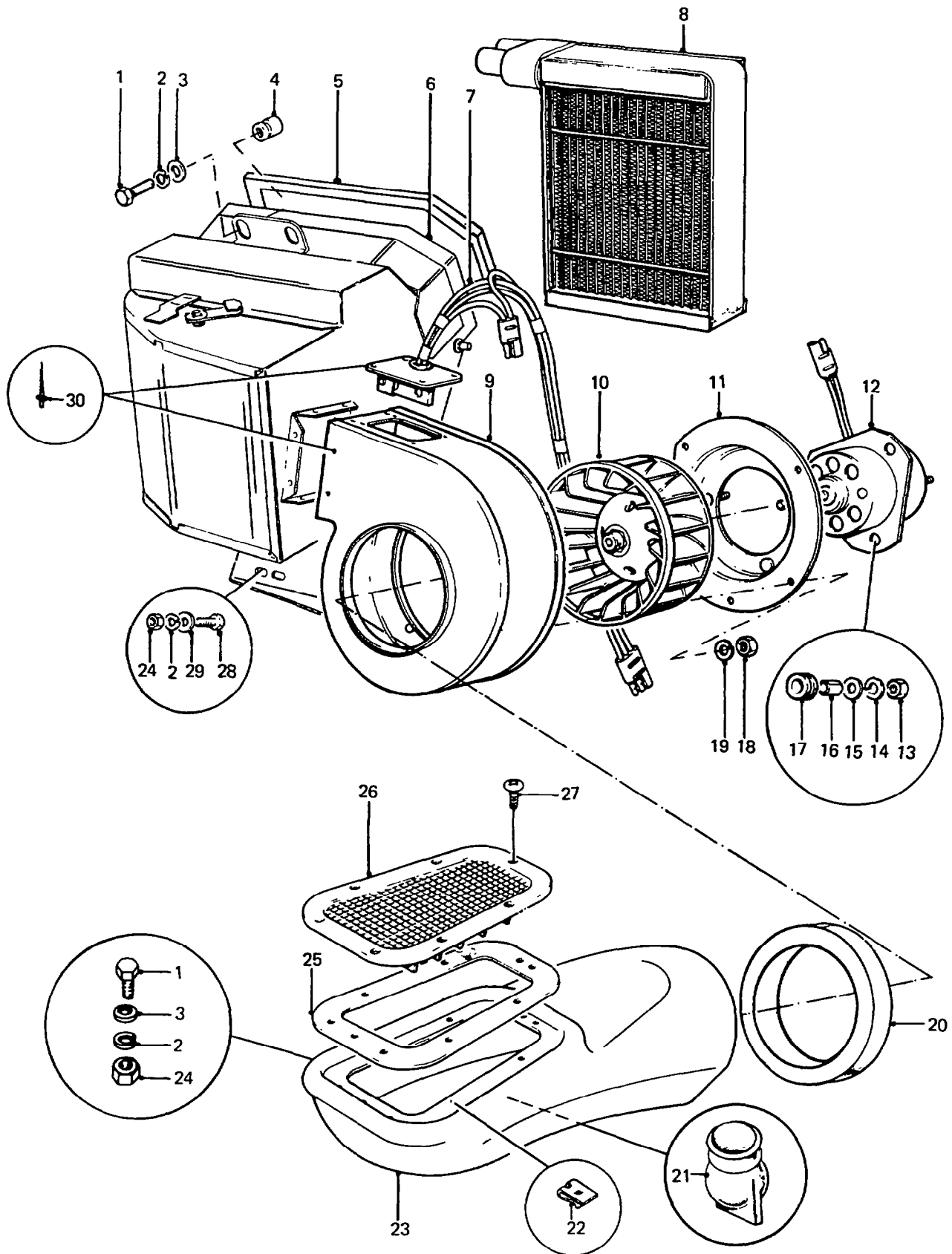


HEATER AND DUCTING - CAB

GROUP TA
 TITLE HEATER AND DUCTING - CAB

ITEM NO	DESIGNATION	NSN MANUFACTURER CODE/PART NO SUPPLIER CODE/PART NO	NO OFF	U I	E P	L* M* H*
021	VALVE, DUMP CONICAL, 31.0 MM BASE O/DIA, 30.0 MM O/A LG, W/SLIT 19.0 MM LG.	2940 99-729-2980 U1030/MUC2417 Z5394/MUC2417	1	EA	X	LMH
022	CLIP, SPIRE, FINISHER TO L.H. WING, SPECIAL, SPRING STEEL.	U1030/AJ608041 Z5394/AJ608041	9			
904	SHIELD, EXPANSION LOCKNUT, SPECIAL, SQUARE, NYLON	5310 99-137-6356 U1030/GHF1021 Z5394/GHF1021	7	EA	X	LMH
023	PIPE, AIR CONDITIONING-HEATING PLASTIC, 450 MM LG, 180 MM W, 174 MM H, 1.5 MM NOM WALL THICKNESS.	2540 99-720-8155 U1030/MUC2419 Z5394/MUC2419	1	EA	X	LMH
024	NUT, PLAIN, HEXAGON STEEL, 6 MM, ZINC PLT	5310 99-122-5295 U0041/NU7-14Y1 Z5394/JLM9687	3	EA	X	LMH
025	GASKET DUCT TO TOP FRONT FENDER	5330 99-721-4414 U1030/MRC9998 Z5394/MRC9998	1	EA	X	LMH
026	GRILLE, FINISHER PLASTIC, LEFT-HAND, AIR INTAKE	2540 99-950-3100 U1030/MRC9939 Z5394/MRC9939	1	EA	X	LMH
905	GRILLE, FINISHER PLASTIC, RIGHT-HAND, AIR INTAKE	2540 99-865-4597 U1030/MRC9938 Z5394/MRC9938	1	EA	X	LMH
027	SCREW, TAPPING THREAD FORMING, STEEL, PANHD, CROSS RECESS DRIVE, PHOSPHATED, NO. 8 BY 3/4 IN. LG	5305 66-128-4725 Z5394/AB608065 Z5394/AB608065	7	EA	X	LMH
906	SCREW, FINISHER TO L.H. WING, SLOTTED CHEESE HEAD, GAUGE NO. 6, SELF TAPPING, POINTED, 5/8 IN. LG., PHOSPHATE FINISH.	U1030/AC608041 Z5394/AC608041	2			
907	SCREW, TAPPING THREAD FORMING, STEEL, BLACK OXIDE, PAN HD, CROSS RECESS DRIVE, NO. 8 BY 5/8 IN. LG	5305 66-128-4655 Z5394/AB608054 Z5394/AB608054	7	EA	X	LMH
028	SCREW, MACHINE ISO METRIC, STEEL, PAN/HD, SLOT DRIVE, ZINC/PLATED, 6.0 MM DIA, 1.0 MM PITCH, 16.0 MM LG.	5305 99-135-0440 U1030/SE106161 Z5394/SE106161	2	EA	X	LMH

* GRADE OF REPAIR (LIGHT MEDIUM OR HEAVY)

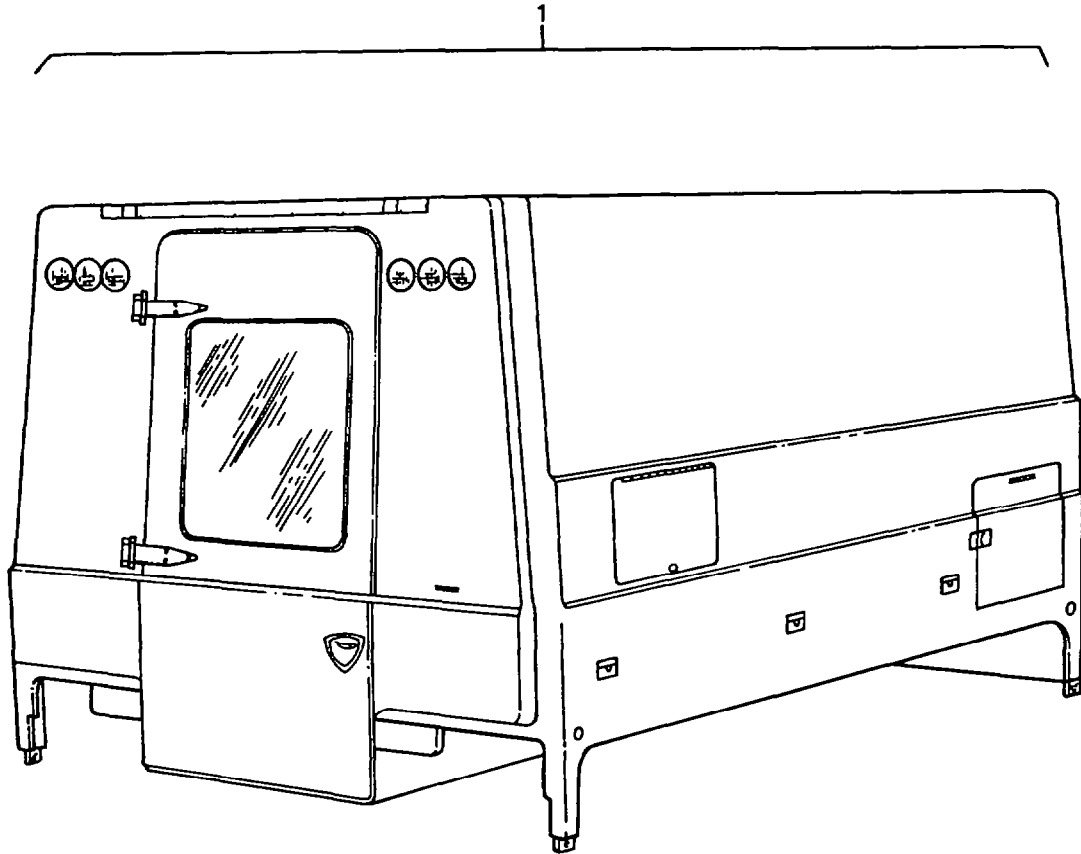


HEATER AND DUCTING - CAB

GROUP TA
TITLE HEATER AND DUCTING - CAB

ITEM NO	DESIGNATION	NSN MANUFACTURER CODE/PART NO SUPPLIER CODE/PART NO	NO OFF	U I	E P	L* M* H*
029	WASHER, FLAT STEEL, RD, CADMIUM PLATED, 6 MM BOLT SIZE, 12.5 MM OD, 1.32 MM THK	5310 66-098-4440 Z5394/WA106041 Z5394/WA106041	2	EA	X	LMH
030	RIVET, POP, 1/8 IN. BY 1-1/8 IN. LG., ALUMINIUM (ALSO PART OF TA 006 AND TA 901)	U1030/RA608183 Z5394/RA608183	16			

* GRADE OF REPAIR (LIGHT MEDIUM OR HEAVY)

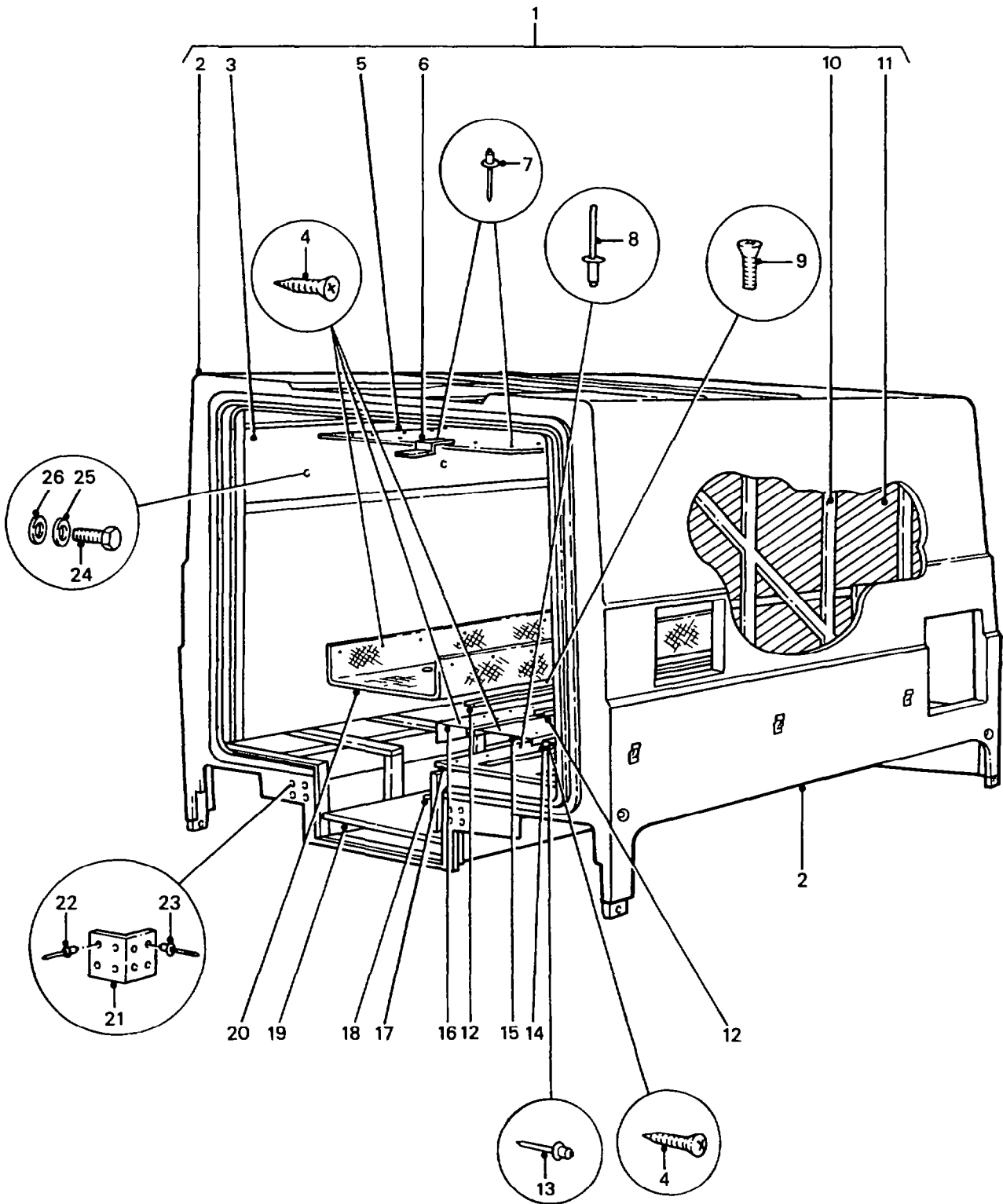


MODULE ASSEMBLY - COMPLETE

GROUP W
TITLE MODULE ASSEMBLY - COMPLETE

ITEM NO	DESIGNATION	NSN MANUFACTURER CODE/PART NO SUPPLIER CODE/PART NO	NO OFF	U O I	E X P	L* M* H*
001	MODULE ASSEMBLY, COMPLETE, COMSEC (INCLUDES GROUPS WA TO WQA AND WV TO WW)	Z4976/720349 Z4976/720349	1			

* GRADE OF REPAIR (LIGHT MEDIUM OR HEAVY)

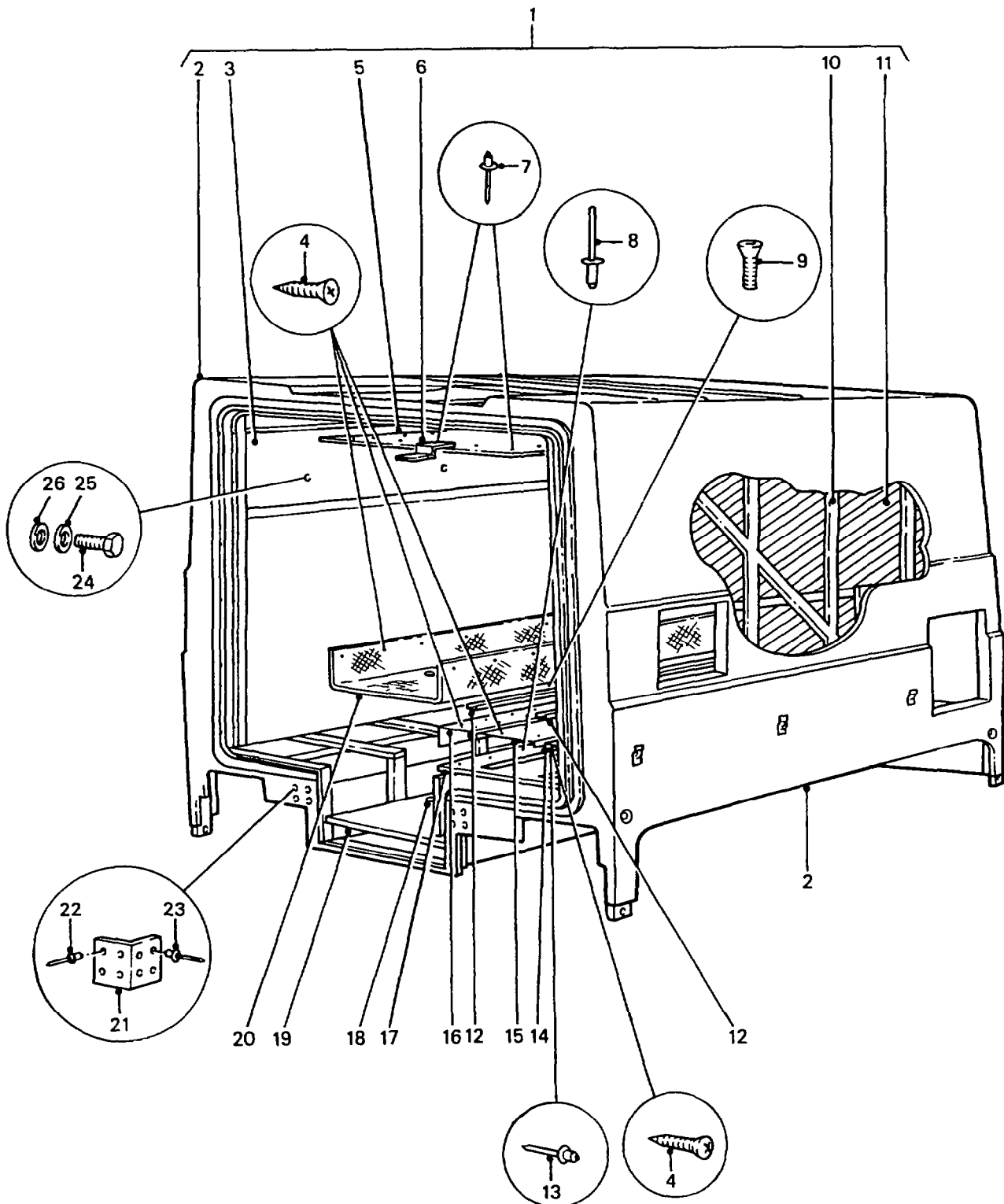


**MODULE SHELL, FRAME AND FLOOR
ASSEMBLY**

GROUP WA
TITLE MODULE SHELL, FRAME AND FLOOR ASSEMBLY

ITEM NO	DESIGNATION	NSN MANUFACTURER CODE/PART NO SUPPLIER CODE/PART NO	NO OFF	U	E	L*
				O	X	M*
				I	P	H*
001	SHELL, FRAME AND FLOOR ASSEMBLY, MODULE. (INCLUDES WA 002 TO WA 026)	Z4976/720166 Z5394/HYM52	1			
002	SHELL, MODULE OUTER, FIBREGLASS. (USE WA 001)	/NIL /NIL	1			
003	SHELL, MODULE INNER, FIBREGLASS. (USE WA 001)	/NIL /NIL	1			
004	SCREW, WALKWAY TREAD-PLATE AND DECKING PANELS TO PLYWOOD, TEKS SELF DRILLING, THREADING, POINTED, FLANGED, HEX. HD., 8-18 BY 25 MM LG., CADMIUM PLATED.	ZR910/0650 0313 Z5394/HYL9996	248			
005	PANEL, MODULE CEILING, FIBREGLASS, 2380 MM BY 950 MM, 4 MM THK.	Z4976/720139 Z5394/HYL9924	1			
006	PLATE, INNER SHELL JOINT, REAR, AND FRONT UPPER, ALUMINIUM, 520 MM BY 50 MM, 0.9 MM THK.	Z4976/720168 Z5394/HYL9925	2			
901	PLATE, INNER SHELL JOINT, FRONT, LOWER, ALUMINIUM, 440 MM BY 50 MM, 0.9 MM THK.	Z4976/720169 Z5394/HYL9926	1			
007	RIVET, CEILING PANEL AND JOINT PLATES, POP, 3.2 MM DIA., 13 MM LG., ALUMINIUM.	Z0549/73AS46 Z5394/HYL9927	66			
008	RIVET, PLYWOOD PANELS TO FRAME, POP, 4.8 MM DIA., 30 MM LG., ALUMINIUM	Z0549/73AS616 Z5394/HYL9095	162			
009	SCREW, UNISTRUT TRACK RETENTION, RECESSED COUNTERSUNK HD., 10 MM COARSE THD., 25 MM LG., ZINC PLATED.	ZE664/FASSMSZCX1025M Z5394/HYL9994	24			
010	FRAME, MODULE. (USE WA 001)	/NIL /NIL	1			
011	INSULATION, MODULE WALL CAVITY, GREEN POLYURETHANE. (MANUFACTURED FROM WA 904)	Z4976/700174 Z4976/700174	1			

* GRADE OF REPAIR (LIGHT MEDIUM OR HEAVY)

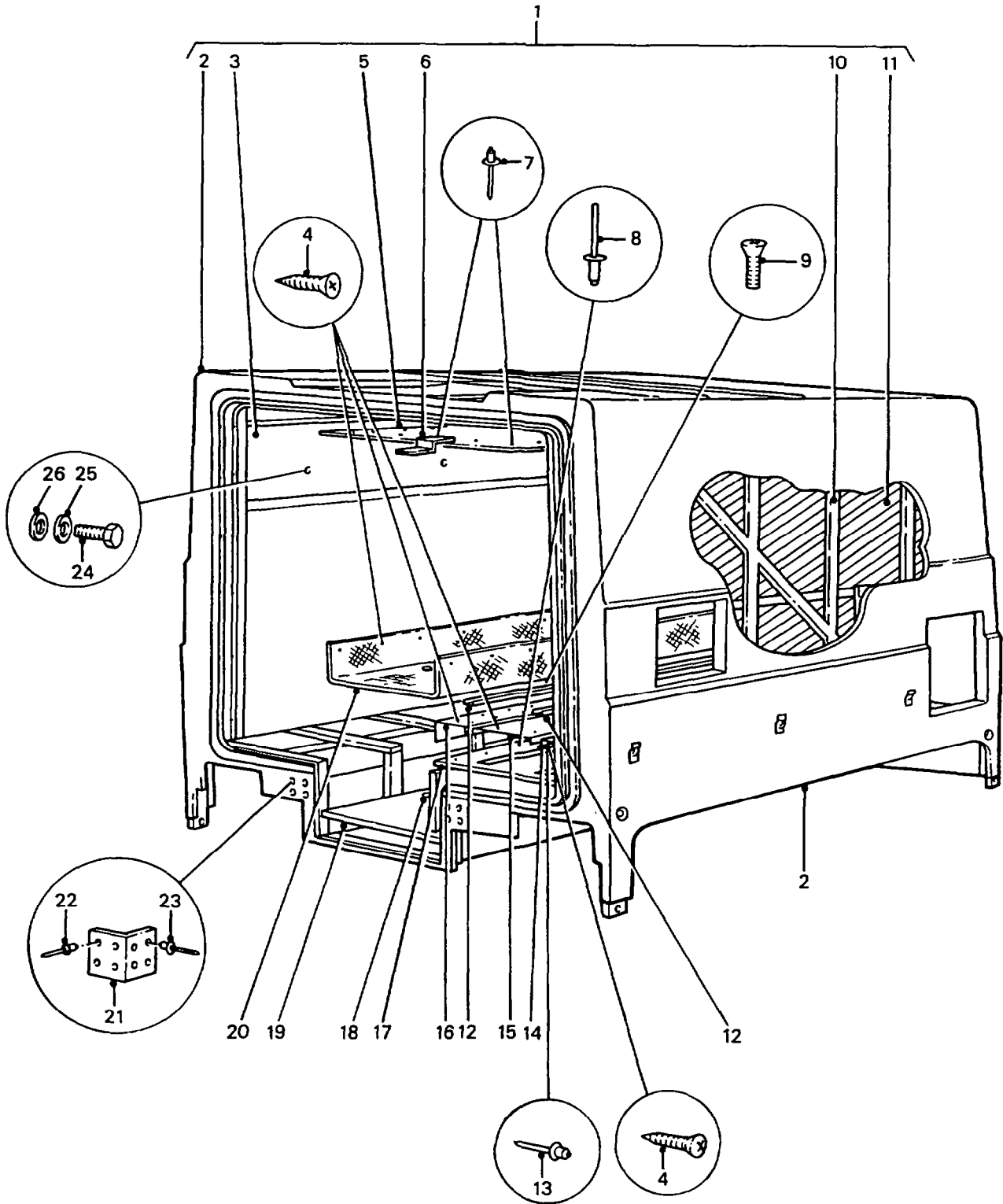


MODULE SHELL, FRAME AND FLOOR ASSEMBLY

GROUP WA
TITLE MODULE SHELL, FRAME AND FLOOR ASSEMBLY

ITEM NO	DESIGNATION	NSN MANUFACTURER CODE/PART NO SUPPLIER CODE/PART NO	NO OFF	U	E	L*
				I	P	H*
012	TRACK, UNISTRUT, 3060 MM LG., STEEL. (MANUFACTURE FROM WA 905)	Z4976/720011 Z5394/HYL9928	4			
013	RIVET, OUTSIDE COVER PANEL RETENTION, COUNTERSUNK, POP, 1/8 IN. DIA., 1/2 IN. LG.	Z1742/1604-0412 Z5394/HYL9993	20			
014	PANEL, COVER, R.H. DECKING, OUTSIDE POSITION, GALVSHEET, 3095 MM LG., 57 MM BY 160 MM BY 15 MM, 16 GAUGE. (MANUFACTURED FROM WA 906)	Z4976/720020 Z5394/HYL9929	1			
902	PANEL, COVER, L.H. DECKING, OUTSIDE POSITION, GALVSHEET, 3095 MM LG., 57 MM BY 160 MM BY 15 MM, 16 GAUGE. (MANUFACTURE FROM WA 906)	Z4976/720023 Z5394/HYL9930	1			
015	PANEL, COVER, R.H. AND L.H. DECKING, CENTRE POSITION, GALVSHEET, 3095 MM LG., 15 MM BY 285 MM BY 15 MM, 16 GAUGE. (MANUFACTURED FROM WA 906)	Z4976/720021 Z5394/HYL9931	2			
016	PANEL, COVER, R.H. DECKING, INSIDE POSITION, GALVSHEET, 3095 MM LG., 120 MM BY 127 MM BY 15 MM, 16 GAUGE. (MANUFACTURE FROM WA 906)	Z4976/720022 Z5394/HYL9932	1			
903	PANEL, COVER, L.H. DECKING, INSIDE POSITION, GALVSHEET, 3095 MM LG., 120 MM BY 127 MM BY 15 MM, 16 GAUGE (MANUFACTURED FROM WA 906)	Z4976/720024 Z5394/HYL9933	1			
017	PANEL, PLYWOOD AND GALVSHEET, R.H. AND L.H. DECKING, 3110 MM LG., 657 MM W., 20 MM THK. PLYWOOD GLUED TO 18 GAUGE GALVSHEET, SLOTTED TO FIT UNISTRUT TRACKS. (MANUFACTURE FROM WA 907 AND WA 908)	Z4976/720016 Z5394/HYL9934	2			

* GRADE OF REPAIR (LIGHT MEDIUM OR HEAVY)

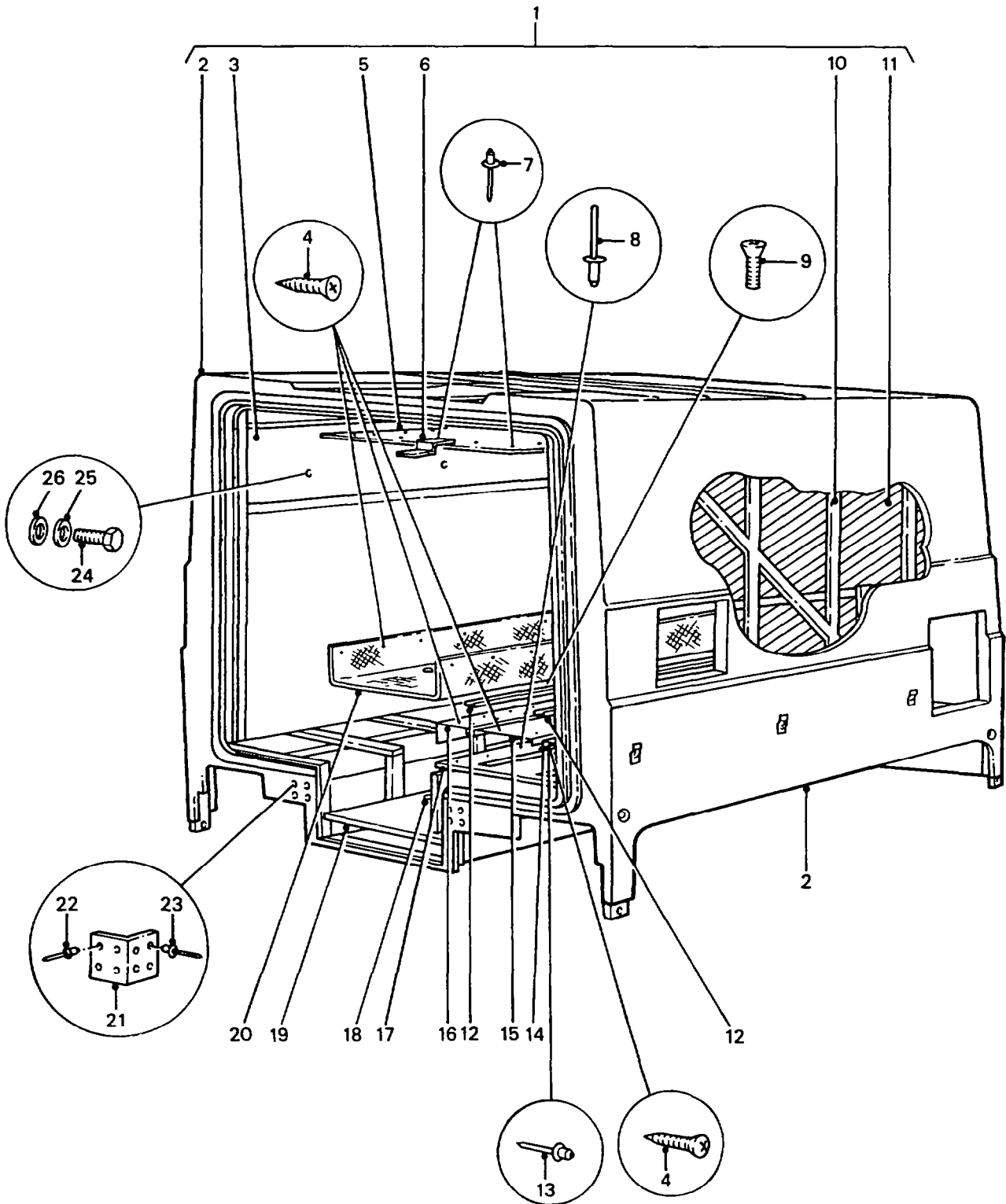


**MODULE SHELL, FRAME AND FLOOR
ASSEMBLY**

GROUP WA
TITLE MODULE SHELL, FRAME AND FLOOR ASSEMBLY

ITEM NO	DESIGNATION	NSN MANUFACTURER CODE/PART NO SUPPLIER CODE/PART NO	NO OFF	U O	E X	L* M*
				I	P	H*
018	PANEL, PLYWOOD AND GALVSHEET, WALKWAY SIDES, 3085 MM LG., 282 MM W., 20 MM THK., PLYWOOD GLUED TO 18 GAUGE GALVASHEET. (MANUFACTURED FROM WA 907 AND WA 908)	Z4976/720015 Z5394/HYL9935	2			
019	PANEL, PLYWOOD AND GALVSHEET, WALKWAY FLOOR, 2995 MM LG., 800 MM W., 20 MM THK., PLYWOOD GLUED TO 18 GAUGE GALVSHEET (MANUFACTURED FROM WA 907 AND WA 908)	Z4976/720014 Z5394/HYL9936	1			
020	TREADPLATE, WALKWAY, ALUMINIUM, 3090 MM LG., 760 MM W., SIDES - 230 MM H., FRONT PLATE - 315 MM H., STEP - 110 MM BY 45 MM. (MANUFACTURED FROM WA 909)	Z4976/720007 Z5394/HYL9937	1			
021	BRACKET, MOUNTING, SHELL TO FRAME, 100 MM BY 100 MM BY 150 MM, 2.5 MM THK., GALVSTEEL.	Z4976/720233 Z5394/HYM211	2			
022	RIVET, POP, 3/16 IN. DIA., 3/4 IN. LG., ALUMINIUM.	U1030/RJ612123 Z5394/RJ612123	8			
023	RIVET, POP, 4.8 MM DIA., 19 MM LG., ALUMINIUM	Z0549/73AS68 Z5394/HYL9965	8			
024	SCREW, MACHINE, ISO METRIC, 6G, GRADE 8.8, STEEL, HEX. HD., CAD PLATED AND PASSIVATED, 10 MM DIA., 30 MM LG.	U1030/FS110301 Z5394/FS110301	6			
025	WASHER, LOCK, SPRING, STEEL, SINGLE TURN, ZINC PLATED, 10 MM, 15.90 MM O.D., 2.50 MM THK.	U1030/WL110001 Z5394/WL110001	6			
026	WASHER, FLAT, NORMAL O.D., NORMAL THK., 10 MM I.D., ZINC PLATED.	U1030/WA110001 Z5394/WA110001	6			

* GRADE OF REPAIR (LIGHT MEDIUM OR HEAVY)

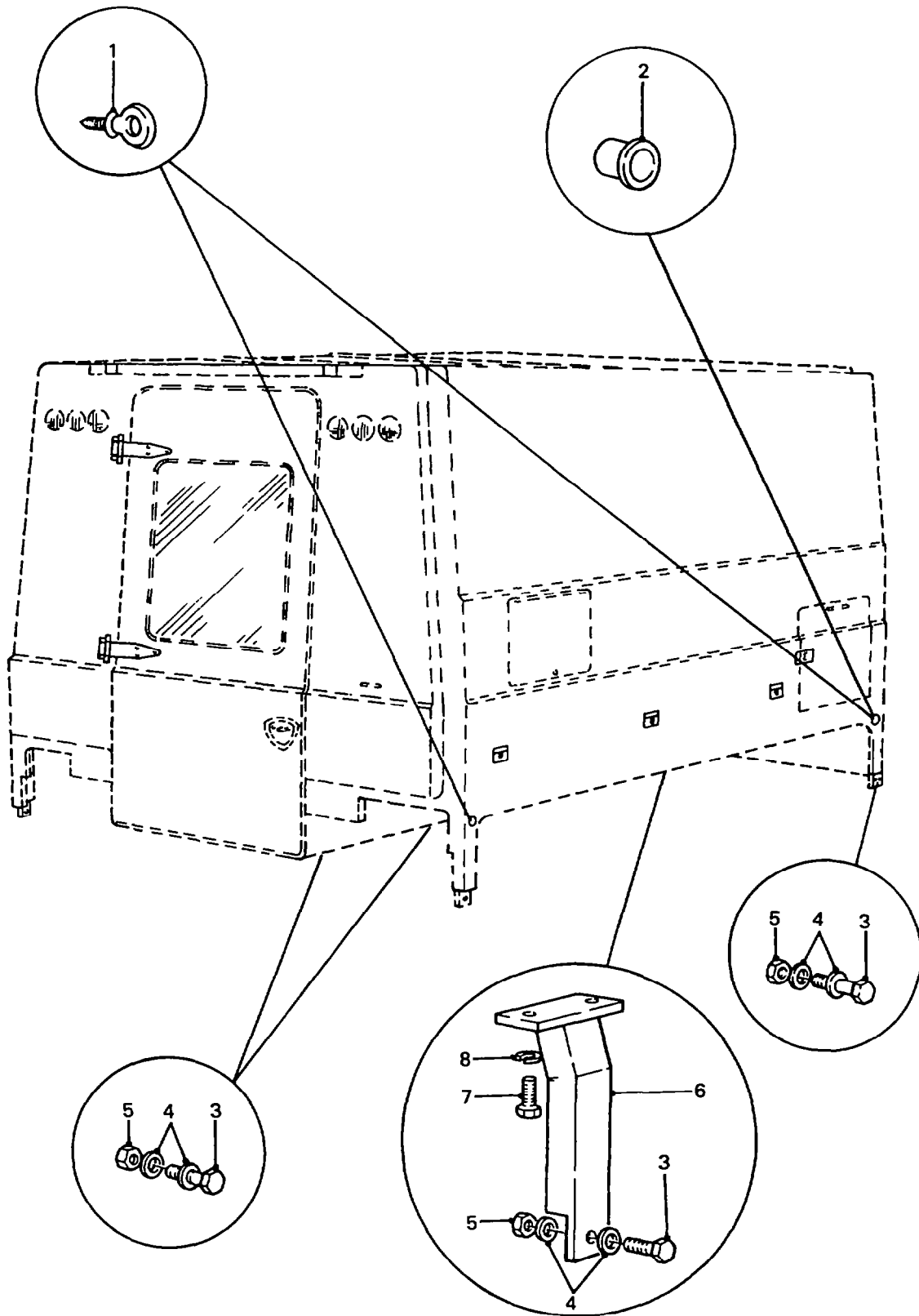


**MODULE SHELL, FRAME AND FLOOR
ASSEMBLY**

GROUP WA
TITLE MODULE SHELL, FRAME AND FLOOR ASSEMBLY

ITEM NO	DESIGNATION	NSN MANUFACTURER CODE/PART NO SUPPLIER CODE/PART NO	NO OFF	U O I	E X P	L* M* H*
904	INSULATION, GREEN POLYURETHANE, 20 MM THK., 2.4 M BY 1.2 M, BULK. (ORDER BY DESCRIPTION, USE AS REQUIRED)	Z3126/NIL Z3126/NIL	1			
905	TRACK, UNISTRUT, 6 M BULK LG., STEEL. (USE AS REQUIRED)	ZA231/P3300G ZA231/P3300G	1			
906	PANEL, GALVSHEET, 16 GAUGE, 2400 MM BY 1200 MM, BULK (ORDER BY DESCRIPTION, USE AS REQUIRED)	Z1701/NIL Z1701/NIL	1			
907	PANEL, MARINE PLYWOOD, HOOP-PINE, 'A' BOND TO AUSTRALIAN SPEC. 2269, TONGUE AND GROOVE, 2400 MM BY 1200 MM BY 20 MM THK., BULK. (ORDER BY DESCRIPTION, USE AS REQUIRED)	/NIL /NIL	1			
908	PANEL, GALVSHEET, 18 GAUGE, 2400 MM BY 1200 MM, BULK. (ORDER BY DESCRIPTION, USE AS REQUIRED)	Z1701/NIL Z1701/NIL	1			
909	TREADPLATE, FIVE BAR ALUMINIUM, MILL FINISH, 3600 MM BY 120 MM BY 3 MM THK., BULK (USE AS REQUIRED)	Z4681/STP0425A Z4681/STP0425A	1			

* GRADE OF REPAIR (LIGHT MEDIUM OR HEAVY)



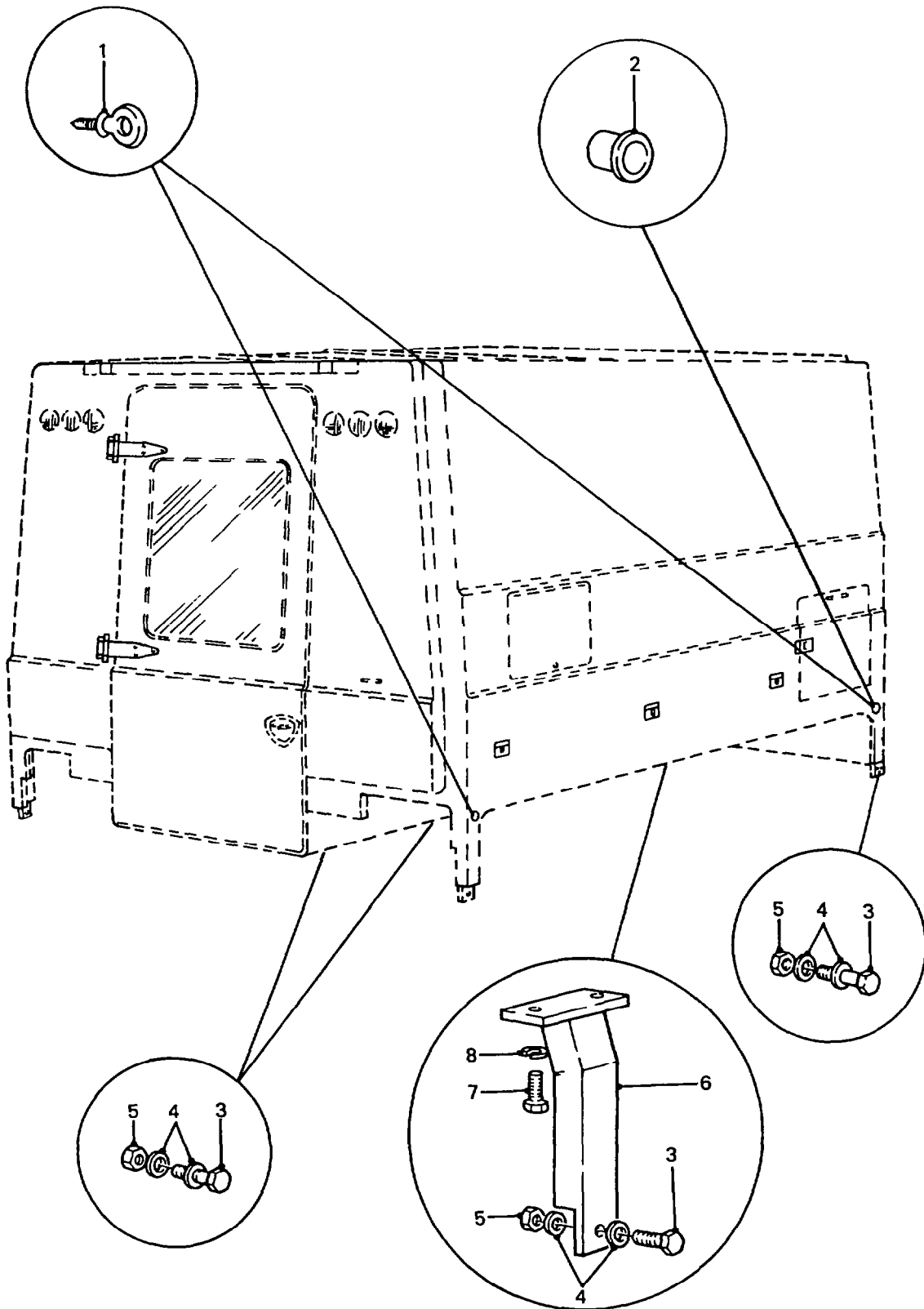
**MOUNTINGS AND LIFTING
BOLTS - MODULE**

GROUP WB
TITLE MOUNTINGS AND LIFTING BOLTS - MODULE

ITEM NO	DESIGNATION	NSN MANUFACTURER CODE/PART NO SUPPLIER CODE/PART NO	NO OFF	U O I	E X P	L* M* H*
001	BOLT, EYE 24MM THREAD DIA, 3MM PITCH (WHEN NOT IN USE - MOUNT IN CHASSIS BRACKETS ABOVE FFR BATTERY CARRIER.)	5306 66-128-5870 ZR910/0448 3500 Z5394/HYL9311	4	EA	X	LMH
002	PLUG, BLANKING, LIFTING BOLT LOCATION, PLASTIC, 23 MM DIA., PRESS FIT.	/NIL /NIL	4			
003	BOLT, MACHINE D, 12MM DIA, 1.75MM PITCH 35MM LG, ZINC PLATED	5306 99-122-2772 U1030/BH112071 Z5394/BH112071	6	EA	X	LMH
004	WASHER, FLAT RD, STEEL, 12 MM NOM BOLT SIZE, 24 MM OD, 2.50 MM THK	5310 99-122-6477 U1030/WA112001 Z5394/WA112001	12	EA	X	LMH
005	NUT, SELF-LOCKING, HEXAGON METRIC, STEEL, ZINC PLATED, 12 MM 19 MM W A/P, 14 MM H, W/NULON INSERT	5310 99-122-5498 U1030/NY112041 Z5394/NY112041	6	EA	X	LMH
006	BRACKET, MOUNTING, MODULE ASSEMBLY TO CHASSIS, 300 MM LG., BASE PLATE 130 MM LG., 60 MM WIDTH, 4 MM THK., CAPTIVE NUT.	Z4976/700349 Z5394/HYL9312	2			
007	BOLT, MACHINE O METRIC, 6G, STEEL, HEXHD, ZINC PLATED, 10 MM, 1.50 MM PITCH, 25 MM LG	5306 99-122-4910 U1030/SH110251 Z5394/SH110251	4	EA	X	LMH
008	WASHER, LOCK	5310 66-097-0726 U1030/WM110001 Z5394/WM110001	4	EA	X	LMH
009	BOLT, HEX HEAD, METRIC COARSE, 12 MM BY 65 MM LG, ZINC PLATED (MODIFIED VIDE EMEI VEH G 297-15)	U1030/BH112131 Z5394/BH112131	12			
010	WASHER, CUPPED (MODIFIED VIDE EMEI VEH G 297-15)	Z5394/MYH3703 Z5394/MYH3703	18			
011	MOUNT, POLYURETHANE, SMALL (MODIFIED VIDE EMEI VEH G 297-15)	Z5394/MYH3701 Z5394/MYH3701	12			
012	WASHER, CUPPED, "D" (MODIFIED VIDE EMEI VEH G 297-15)	Z5394/MYH3706 Z5394/MYH3706	6			

ISSUE NO: 1 REPAIR PARTS SCALE : 02222 PAGE NO: 57

* GRADE OF REPAIR (LIGHT MEDIUM OR HEAVY)

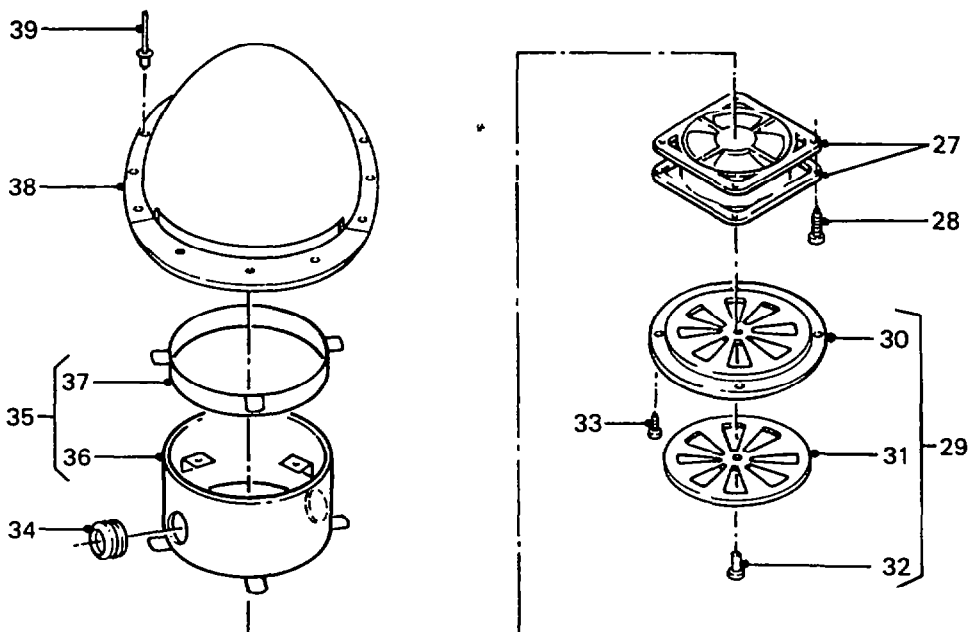
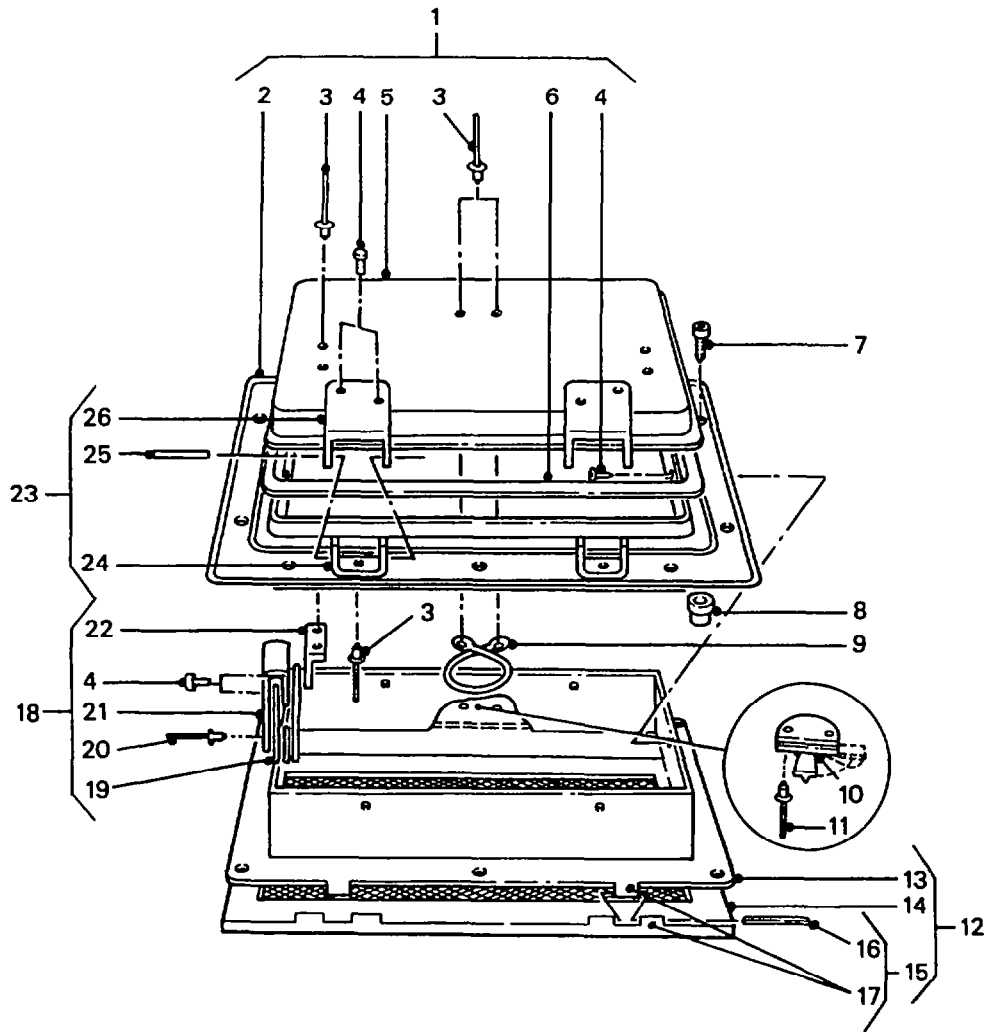


**MOUNTINGS AND LIFTING
BOLTS - MODULE**

GROUP WB
TITLE MOUNTINGS AND LIFTING BOLTS - MODULE

ITEM NO	DESIGNATION	NSN MANUFACTURER CODE/PART NO SUPPLIER CODE/PART NO	NO	U	E	L*
			OFF	O	X	M*
				I	P	H*
013	NUT, HEX, NYLON INSERT, METRIC COARSE, 12 MM, STEEL, MEDIUM TENSILE, ZINC PLATED (MODIFIED VIDE EMEI VEH G 297-15)	U1030/NY112041 Z5394/NY112041	12			
901	MOUNT, POLYURETHANE, LARGE (MODIFIED VIDE EMEI VEH G 297-15)	Z5394/MYH3705 Z5394/MYH3705	12			
902	SPACER, ALUMINIUM, 1 MM (MODIFIED VIDE EMEI VEH G 297-15)	Z5394/BYG5538 Z5394/BYG5538	2			
903	SPACER, ALUMINIUM, 2 MM (MODIFIED VIDE EMEI VEH G 297-15)	Z5394/BYG5537 Z5394/BYG5537	6			

* GRADE OF REPAIR (LIGHT MEDIUM OR HEAVY)

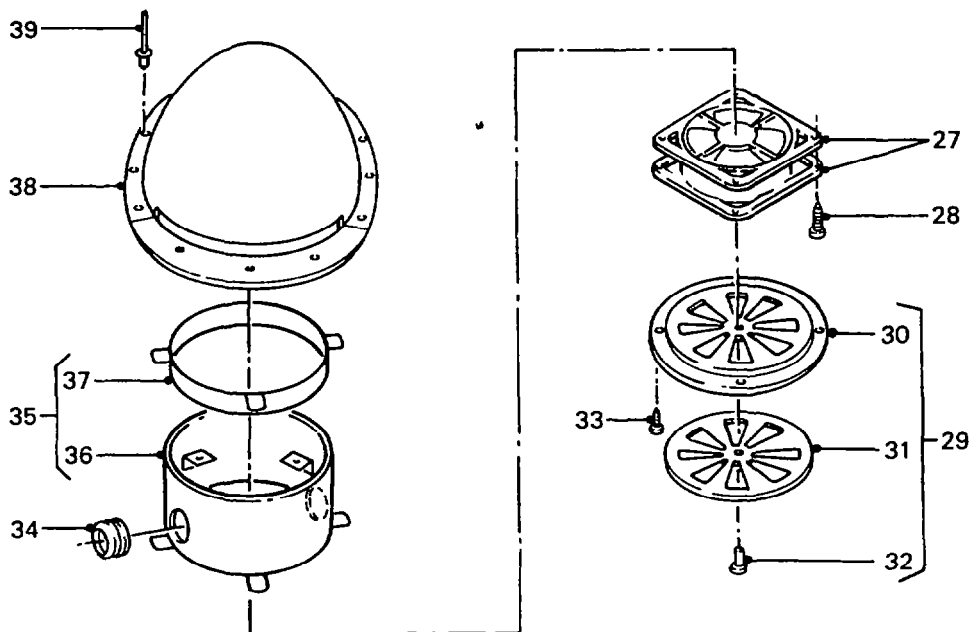
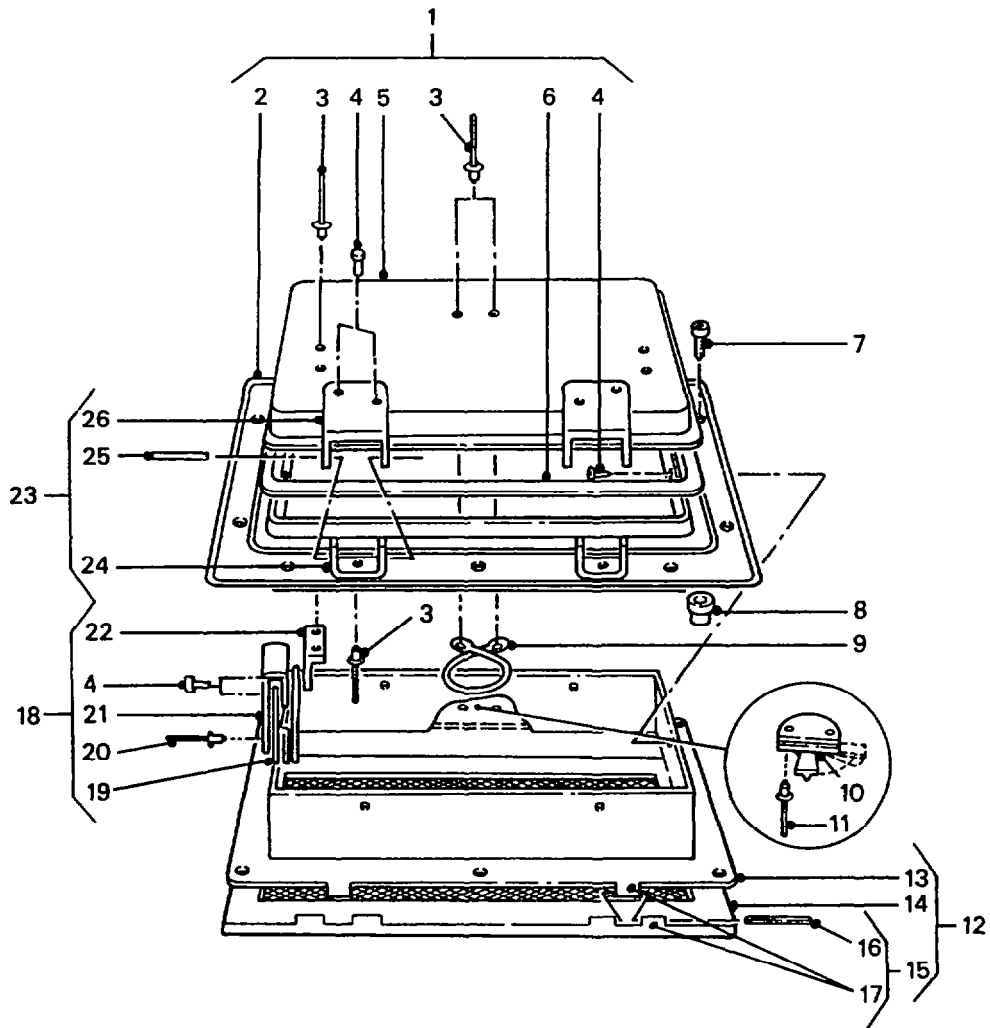


ROOF VENT ASSEMBLIES

GROUP WC
TITLE ROOF VENT ASSEMBLIES

ITEM NO	DESIGNATION	NSN MANUFACTURER CODE/PART NO SUPPLIER CODE/PART NO	NO	U	K	L*
				OFF	O	X
				I	P	H*
001	VENT ASSEMBLY, ROOF, 190 MM LG., 95 MM W., SPRING STEEL. (INCLUDES WC 002 TO WC 009, WC 018 AND WC 023)	ZF194/623-003 Z5394/HYL9449	2			
901	INSULATOR, HEAT, ROOF VENT, 275 MM LG., 185 MM W., 15 MM THK., FIBREGLASS	Z4976/720205 Z4976/720205	2			
902	RIVET, POP, 4.8 MM DIA., 13 MM LG., ALUMINIUM	Z0549/73AS65 Z5394/HYL9945	4			
002	FRAME, VENT LID. (USE WC 001)	/NIL /NIL	1			
003	RIVET, POP, 3.2 MM DIA., 13 MM LG., ALUMINIUM	Z0549/73AS46 Z5394/HYL9114	8			
004	RIVET, SOLID, 5 MM DIA., 10 MM LG., ALUMINIUM	/NIL /NIL	8			
005	LID, VENT. (USE WC 001)	/NIL /NIL	1			
006	SEAL, LID TO FRAME, 8 MM W., 3 MM THK., 600 MM LG., RECTANGULAR SECTION, SYNTHETIC RUBBER. (USE WC 001)	/NIL /NIL	1			
007	SCREW, RECESSED COUNTERSUNK HD., 4 MM DIA., 12 MM LG., COARSE THD., ZINC PLATED.	U1030/SF104121 Z5394/SF104121	10			
008	NUTSERT.	Z1742/9508-0412 Z5394/HYL9448	10			
009	RING, PULL, LID CLOSING. (USE WC 001)	/NIL /NIL	1			
010	FASTENER, GRAVELLEY, SCREEN TO FRAME, 50 MM.	ZF194/660 Z5394/HYL9342	1			
011	RIVET, POP, 3.2 MM DIA., 23 MM LG.	Z0549/73AS412 Z5394/HYL9112	2			

* GRADE OF REPAIR (LIGHT MEDIUM OR HEAVY)

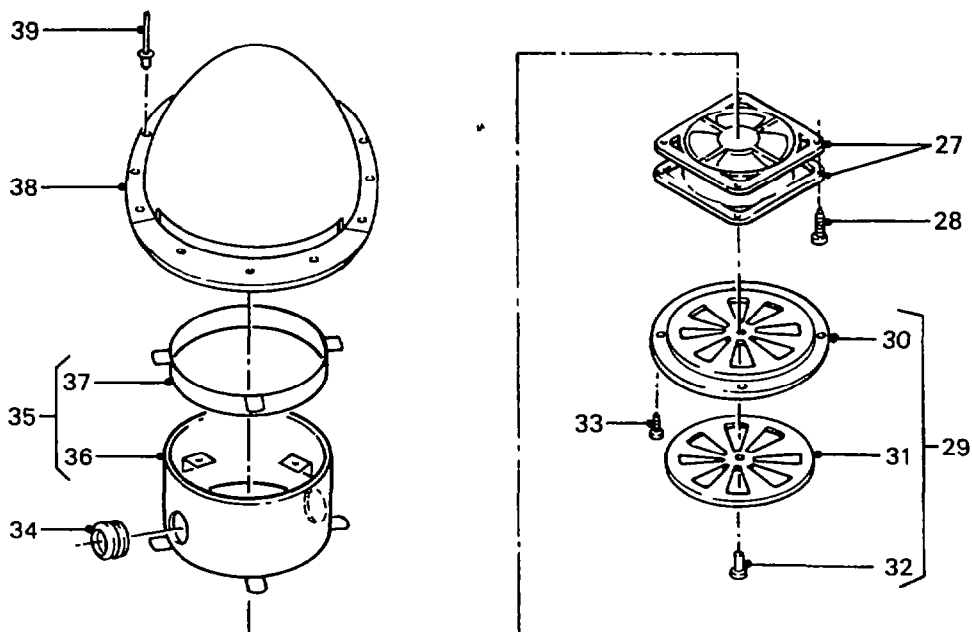
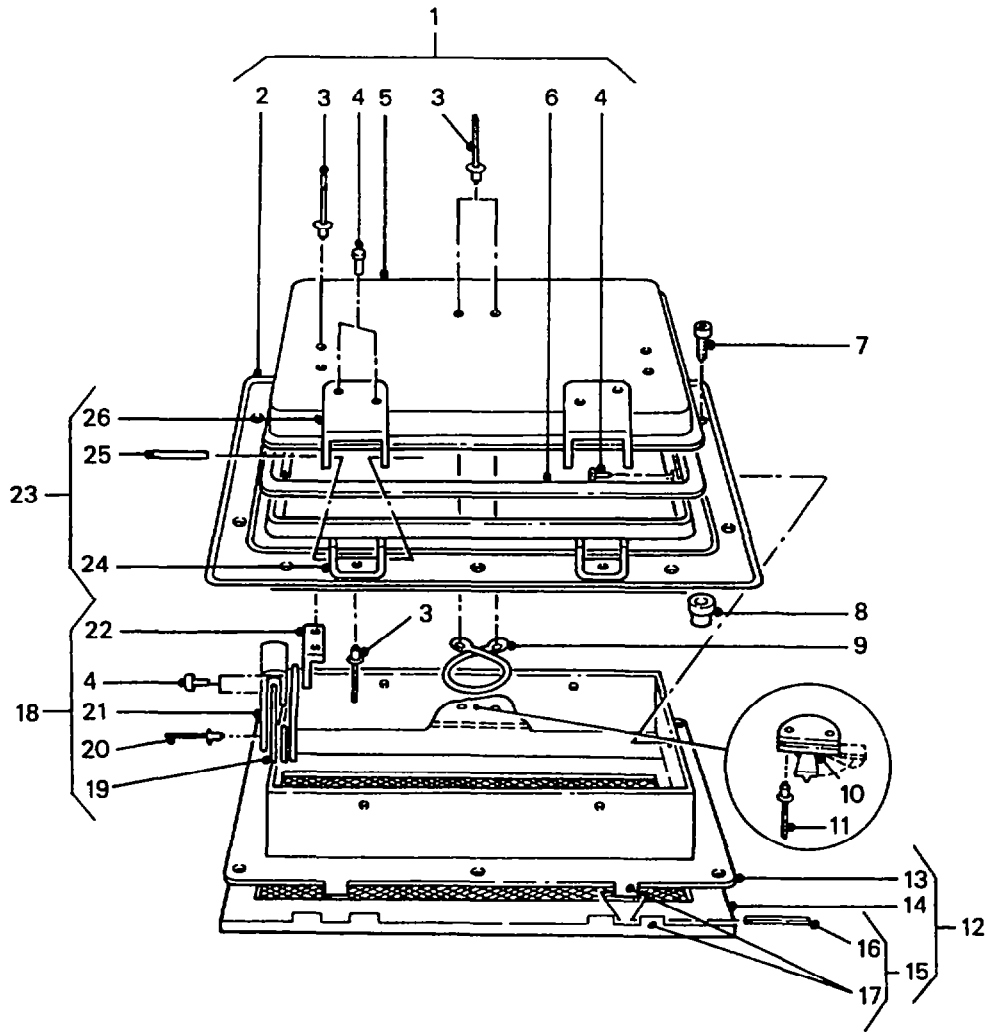


ROOF VENT ASSEMBLIES

GROUP WC
TITLE ROOF VENT ASSEMBLIES

ITEM NO	DESIGNATION	NSN MANUFACTURER CODE/PART NO SUPPLIER CODE/PART NO	NO OFF	U	E	L*
				O	X	M*
				I	P	H*
012	FRAME AND SCREEN ASSEMBLY. (INCLUDES WC 013 TO WC 015)	Z4976/700559 Z5394/HYL9450	1			
013	FRAME. (USE WC 012)	/NIL /NIL	1			
014	SCREEN. (USE WC 012)	/NIL /NIL	1			
015	HINGE ASSEMBLY, WELDED TO FRAME AND SCREEN, 32 MM OPEN WIDTH, 37 MM LG., STAINLESS STEEL. (INCLUDES WC 016 AND WC 017, MANUFACTURE FROM WC 903, ALSO PART OF WC 012)	/NIL /NIL	2			
016	PIN, 3 MM DIA. (USE WC 015)	/NIL /NIL	2			
017	HINGE. (USE WC 015)	/NIL /NIL	2			
018	SPRING ASSEMBLY, TOGGLE, VENT LID. (INCLUDES WC 004 - 2 OFF AND WC 019 TO WC 022)	/NIL /NIL	1			
019	SPRING, TOGGLE. (USE WC 018)	/NIL /NIL	1			
020	RIVET, POP, 1/8 IN. DIA., 1-1/8 IN. LG., ALUMINIUM. (ALSO PART OF WC 018)	U1030/RU612183 Z5394/RU612183	1			
021	BRACKET, SPRING TO FRAME. (USE WC 018)	/NIL /NIL	1			
022	BRACKET, SPRING TO LID. (USE WC 018)	/NIL /NIL	1			
023	HINGE ASSEMBLY, LID. (INCLUDES WC 024 TO WC 026)	/NIL /NIL	2			

* GRADE OF REPAIR (LIGHT MEDIUM OR HEAVY)

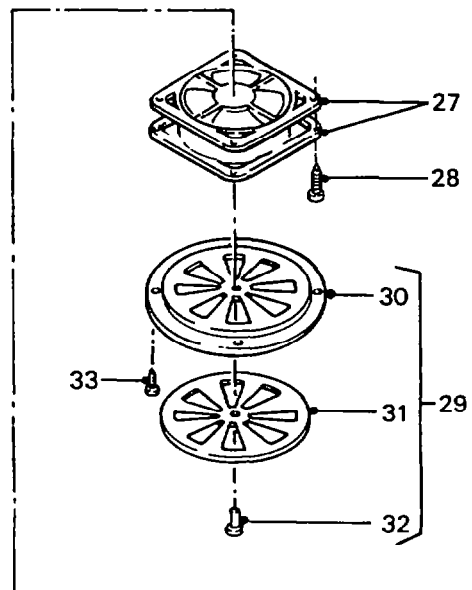
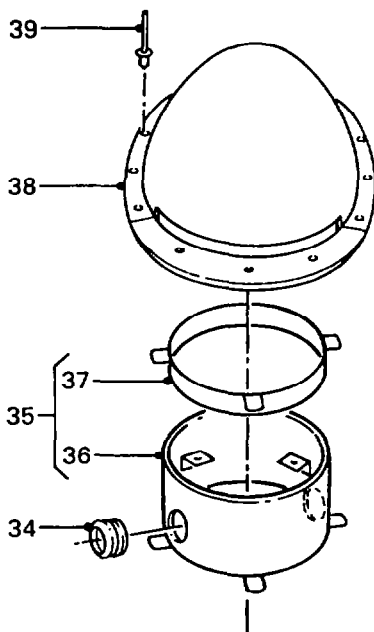
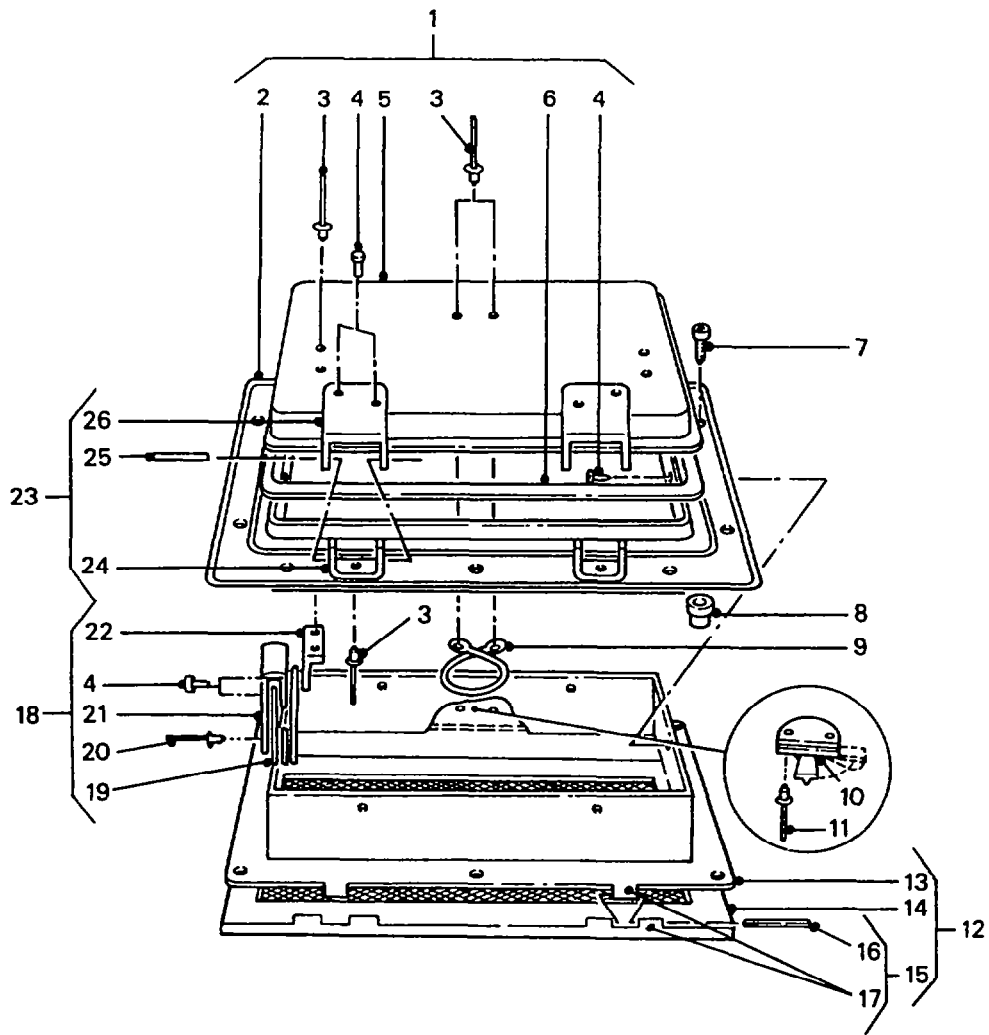


ROOF VENT ASSEMBLIES

GROUP WC
TITLE ROOF VENT ASSEMBLIES

ITEM NO	DESIGNATION	NSN MANUFACTURER CODE/PART NO SUPPLIER CODE/PART NO	NO	U	E	L*
			OFF	O	X	M*
			I	P	H	*
024	BRACKET, HINGE, FRAME MOUNTED, MILD STEEL, 2.5 MM THK., 14 MM BY 14 MM BY 17 MM ONE 4.76 MM DIA. HOLE, TWO 5 MM DIA. HOLES. (USE WC 023)	/NIL /NIL	1			
025	PIN, ROLL, LID HINGE, 5 MM DIA., 28 MM LG., SPRING STEEL. (USE WC 023)	/NIL /NIL	1			
026	BRACKET, HINGE, LID MOUNTED. (USE WC 023)	/NIL /NIL	1			
027	FAN, EXHAUST, ROOF VENT, 24 VOLT, DC, 120 MM LG., 120 MM W., 32 MM THK.	ZOD44/3414 Z5394/HYL9977	2			
028	SCREW, RECESSED PAN HD., 4 MM DIA., 40 MM LG., COARSE THD., ZINC PLATED.	U1030/SE104401 Z5394/SE104401	4			
029	PLATE ASSEMBLY, AIR FLOW, ROOF VENT. (INCLUDES WC 030 TO WC 032)	ZL110/Z202 Z5394/HYL9452	1			
030	PLATE, FIXED, AIR FLOW. (USE WC 029)	/NIL /NIL	1			
031	PLATE, ADJUSTABLE, AIR FLOW. (USE WC 029)	/NIL /NIL	1			
032	RIVET, PLASTIC. (USE WC 029)	/NIL /NIL	1			
033	SCREW, TAPPING, THREAD FORMING, STEEL, PAN HD., SLOTTED, DOG TYPE POINT, NO.6 BY 5/8 IN.	Z5394/AB606051 Z5394/AB606051	4			
034	GROMMET, 16 MM I.D., 31.8 MM O.D., 8 MM THK., 1.6 MM GROOVE W., BLACK, NATURAL RUBBER.	Z1278/M219 Z5394/HYL9978	2			
035	MOUNT ASSEMBLY, EXHAUST FAN. (INCLUDES WC 036 AND WC 037)	Z4976/720084 Z5394/HYL9979	2			

* GRADE OF REPAIR (LIGHT MEDIUM OR HEAVY)

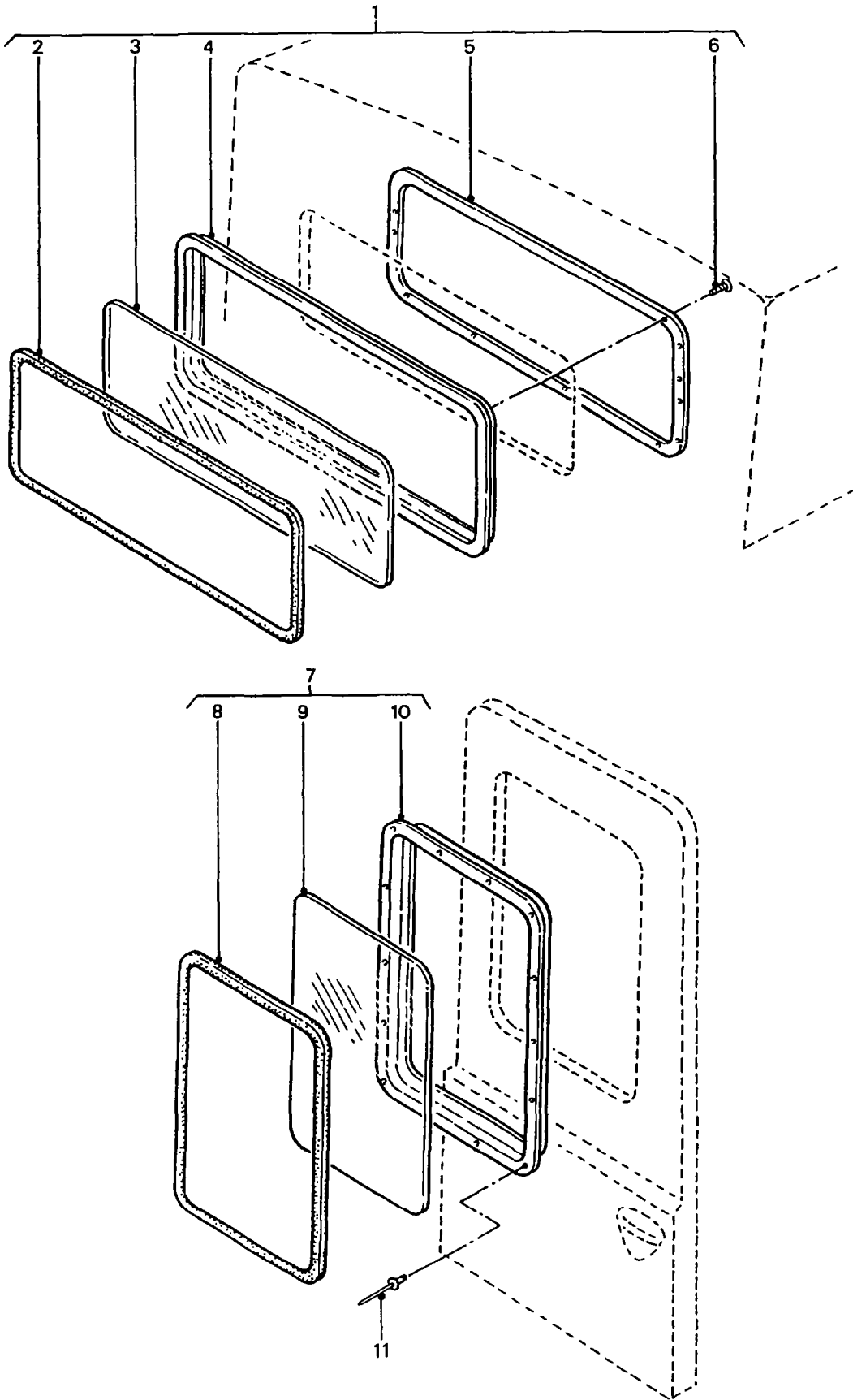


ROOF VENT ASSEMBLIES

GROUP WC
TITLE ROOF VENT ASSEMBLIES

ITEM NO	DESIGNATION	NSN MANUFACTURER CODE/PART NO SUPPLIER CODE/PART NO	NO OFF	U O I	E X P	L* M* H*
036	MOUNT, INNER. (USE WC 035)	/NIL /NIL	1			
037	MOUNT, OUTER. (USE WC 035)	/NIL /NIL	1			
038	DUCT, AIR, ROOF VENT.	ZL110/Z203 Z5394/HYL9451	1			
039	RIVET, POP, 4.8 MM DIA., 13 MM LG., WATERPROOF.	Z0549/73TA65 Z5394/HYL9176	8			
903	HINGE ASSEMBLY, CONTINUOUS, PIANO, 32 MM OPEN WIDTH, 1.2 MM MATERIAL GAUGE, 3 MM PIN DIA., 12.7 MM KNUCKLE WIDTH, 1800 MM BULK LG., STAINLESS STEEL (ORDER BY DESCRIPTION, USE AS REQUIRED)	ZF194/NIL ZF194/NIL	1			

* GRADE OF REPAIR (LIGHT MEDIUM OR HEAVY)

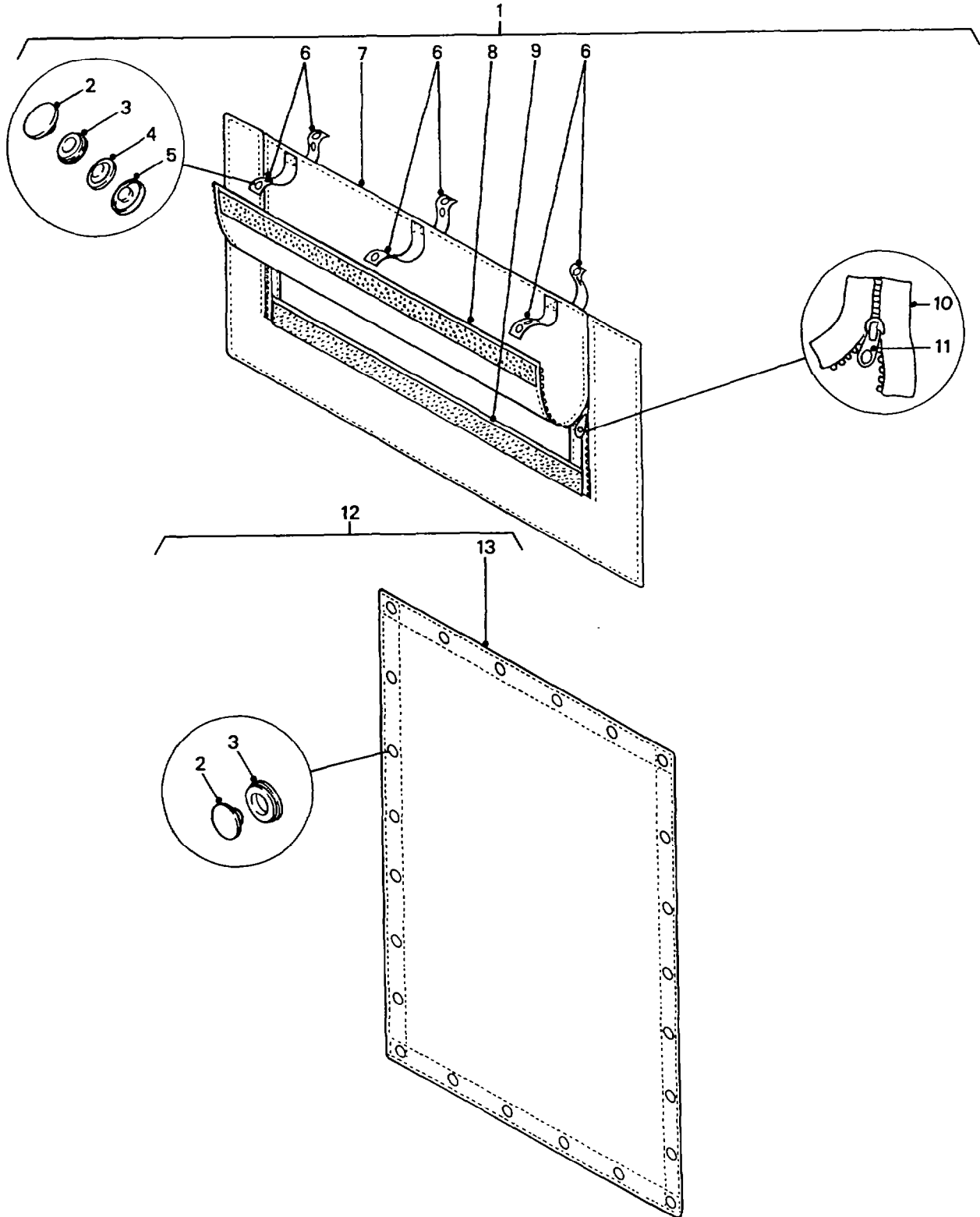


**WINDOW ASSEMBLIES - FRONT
AND REAR**

GROUP WD
TITLE WINDOW ASSEMBLIES - FRONT AND REAR

ITEM NO	DESIGNATION	NSN MANUFACTURER CODE/PART NO SUPPLIER CODE/PART NO	NO OFF	U	E	L*
				I	P	H*
001	WINDOW ASSEMBLY, FRONT, MODULE. (INCLUDES WD 002 TO WD 006)	Z5140/AMW3880 Z5394/HYL9980	1			
002	SEAL, NONMETALLIC SPECIAL SHAPED SECTION (ALSO PART OF WD 001)	5330 66-128-6083 Z5140/AMW 3880-2 Z5394/HYL9981	1	EA	X	LMH
003	WINDOW, VEHICULAR USED ON REAR MODULE ASSEMBLY (ALSO PART OF WD 001)	2510 66-128-6084 Z5140/AMW 3880-3 Z5140/AMW 3880-3	1	EA	X	LMH
004	EXTRUSION, ALUMINIUM. (ALSO PART OF WD 001)	Z5140/AMW3880-1 Z5140/AMW3880-1	1			
005	TRIM. (ALSO PART OF WD 001)	Z5140/AMW3880-4 Z5140/AMW3880-4	1			
006	SCREW, TAPPING, THREAD FORMING, REC PAN HD., NO. 8 BY 1/2 IN. LG. (ALSO PART OF WD 001)	5305 99-977-3255 Z5394/AB608044 Z5394/AB608044	14	EA	X	LMH
007	WINDOW ASSEMBLY, REAR DOOR. (INCLUDES WD 008 TO WD 010, ALSO PART OF WQA 001)	Z5140/AMW3842 Z5394/HYL9982	1			
008	SEAL, NONMETALLIC SPECIAL SHAPED SECTION (ALSO PART OF WD 007)	5330 66-128-6082 Z5140/AMW 3842-2 Z5394/HYL9983	0	EA	X	LMH
009	SHEET, POLYCARBONATE. (ALSO PART OF WD 007)	Z5410/AMW3842-3 Z5410/AMW3842-3	1			
010	EXTRUSION, ALUMINIUM. (ALSO PART OF WD 007)	Z5140/AMW3842-1 Z5140/AMW3842-1	1			
011	RIVET, 4.8 MM DIA., 18 MM LG., ALUMINIUM.	Z0549/73AS68 Z5394/HYL9965	14			

* GRADE OF REPAIR (LIGHT MEDIUM OR HEAVY)



**BLACKOUT CURTAIN ASSEMBLIES —
FRONT AND REAR**

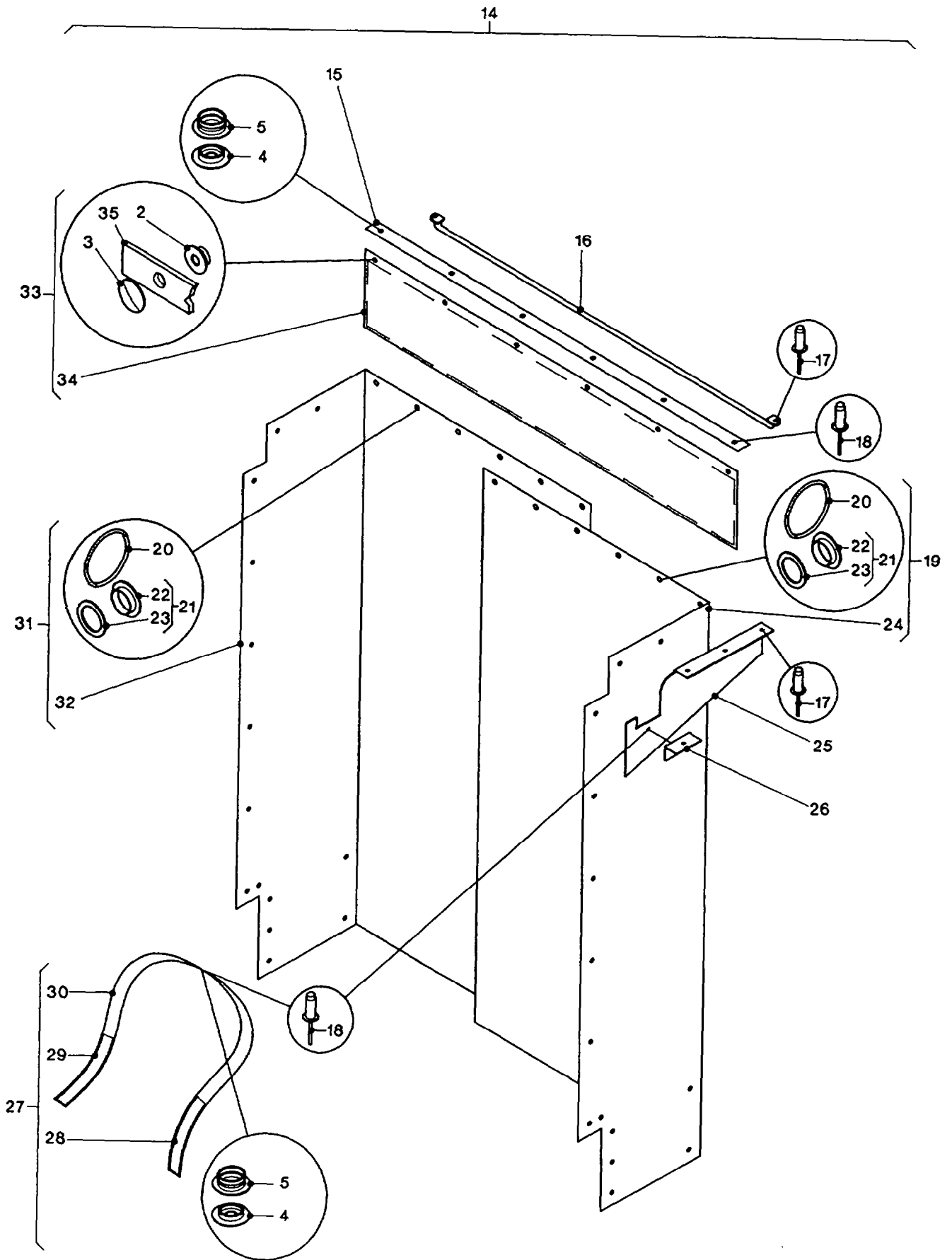
GROUP WDA

TITLE BLACKOUT CURTAIN ASSEMBLIES - FRONT AND REAR

ITEM NO	DESIGNATION	NSN MANUFACTURER CODE/PART NO SUPPLIER CODE/PART NO	NO	U	E	L*
			OFF	O	X	M*
			I	P	H	*
001	CURTAIN ASSEMBLY, BLACKOUT, MODULE, FRONT. (INCLUDES WDA 002 TO WDA 011)	ZC691/720160 Z5394/HYL9987	1			
002	HEAD, PRESS STUD. (ALSO PART OF WDA 011 AND WDA 012)	ZOK75/1211D Z5394/HYL9300	30			
003	SPRING, PRESS STUD. (ALSO PART OF WDA 011 AND WDA 012)	ZOK75/1222D Z5394/HYL9299	30			
004	STUD, PRESS. (ALSO PART OF WDA 001)	ZOK75/1231D Z5394/HYL9221	6			
005	POST, PRESS STUD. (ALSO PART OF WDA 001)	ZOK75/1241D Z5394/HYL9222	6			
006	STRAP, WEBBING, 90 MM LG., 25 MM W., BLACK. (MANUFACTURE FROM WDA 901)	/NIL /NIL	6			
007	CURTAIN, BLACKOUT, MODULE, FRONT, 90 MM LG., 380 MM W., GREEN. (MANUFACTURE FROM WDA 902)	/NIL /NIL	1			
008	TAPE, VELCRO, HOOK, 720 MM LG., 215 MM W., BLACK. (MANUFACTURE FROM WDA 903)	/NIL /NIL	1			
009	TAPE, VELCRO, LOOP, 720 MM LG., 215 MM W., BLACK. (MANUFACTURE FROM WDA 904)	/NIL /NIL	1			
010	TAPE, INTERLOCKING, ZIP, 215 MM LG., GREEN (MANUFACTURE FROM WDA 905)	/NIL /NIL	2			
011	SLIDE, ZIP, BLACKOUT CURTAIN, FRONT, MODULE. (MANUFACTURE FROM WDA 905)	/NIL /NIL	2			
012	CURTAIN, BLACKOUT REAR, GREEN, 735 MM H, 585 MM W, PVC COATED POLYESTER (INCLUDES WDA 002, WDA 003, AND WDA 013)	7230 66-128-6108 Z4976/720174 Z5394/HYL9988	1	EA	X	LMH

ISSUE NO: 1 REPAIR PARTS SCALE : 02222 PAGE NO: 64

* GRADE OF REPAIR (LIGHT MEDIUM OR HEAVY)



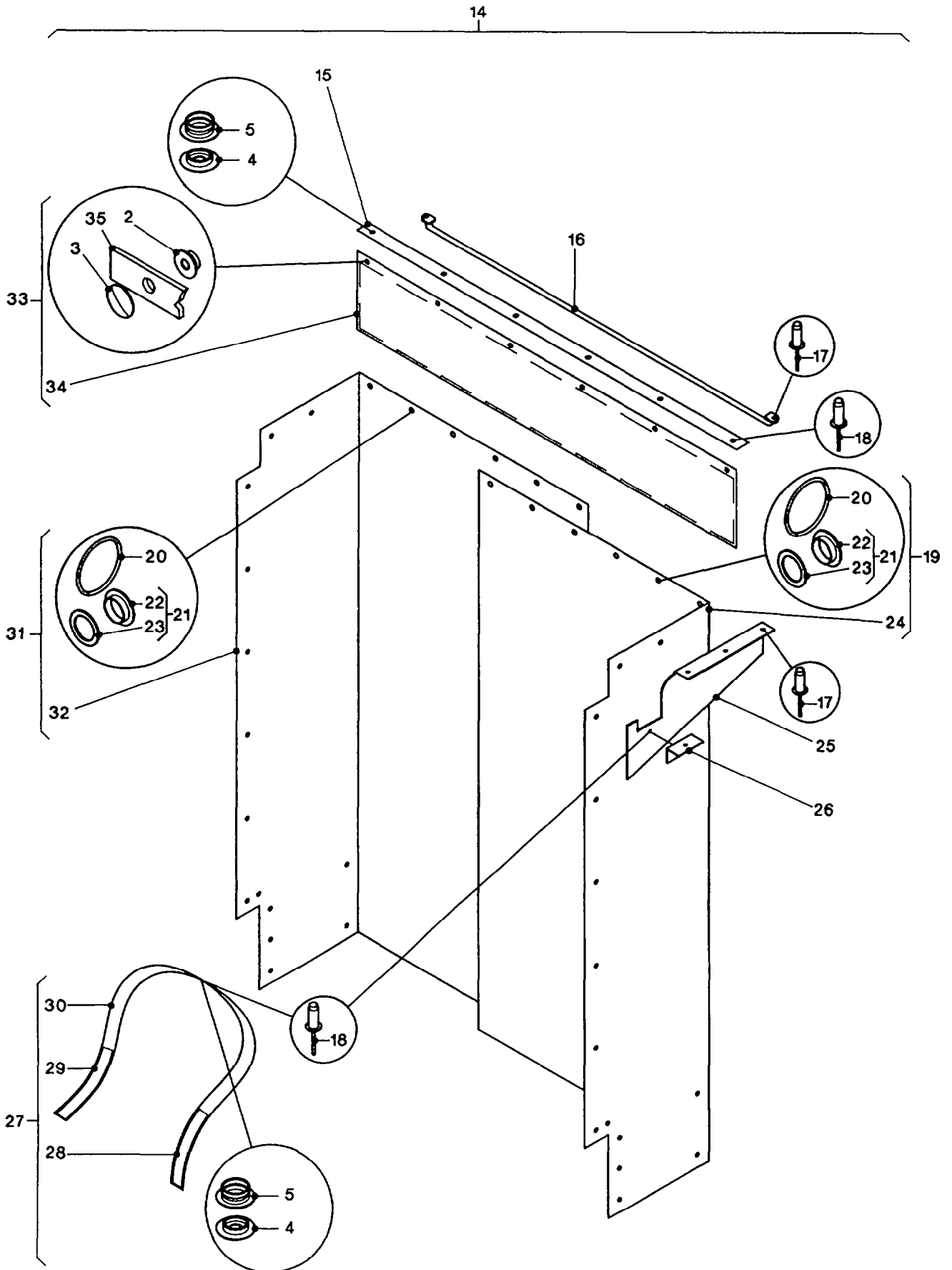
**BLACKOUT CURTAIN ASSEMBLIES
-FRONT AND REAR**

GROUP WDA
TITLE BLACKOUT CURTAIN ASSEMBLIES - FRONT AND REAR

ITEM NO	DESIGNATION	NSN MANUFACTURER CODE/PART NO SUPPLIER CODE/PART NO	NO	U	E	L*
			OFF	O	X	M*
			I	P	H	
013	CURTAIN, BLACKOUT, MODULE, REAR, 735 MM LG., 585 MM W., GREEN. (MANUFACTURE FROM WDA 902)	/NIL /NIL	1			
901	STRAP, WEBBING BLACK, 25 MM W, 10' M BULK LENGTH (USE AS REQUIRED)	5340 66-128-5922 Z4985/2408 Z4985/2408	1	R	O	X H
902	CURTAIN, BRELON, T200B5, 50 M BULK LG., 1830 MM W., P.V.C. COATED POLYESTER, H.F. WELDABLE, U.V. STABILISED, GREEN. (USE AS REQUIRED)	Z1026/B200B Z1026/B200B	1			
903	TAPE, VELCRO, HOOK, 50 M BULK LG., BLACK. (USE AS REQUIRED)	/NIL /NIL	1			
904	TAPE, VELCRO, LOOP, 50 M BULK LG., BLACK. (USE AS REQUIRED)	/NIL /NIL	1			
905	TAPE, INTERLOCKING, ZIP, 100 M BULK LG. (USE AS REQUIRED)	/NIL /NIL	1			
014	CURTAIN ASSEMBLY, BLACKOUT, ENTRANCE. (INCLUDES WDA 002 TO WDA 005 AND WDA 015 TO WDA 035)	Z4976/720345 Z4976/720345	1			
015	TAPE, VELCRO, LOOP, SELF ADHESIVE, 780 MM LG., 25 MM W., BLACK. (MANUFACTURE FROM WDA 910)	/NIL /NIL	1			
016	RAIL, CURTAIN, STAINLESS, 720 MM LG., STEEL (ALSO PART OF WDA 015)	Z4976/720286 Z4976/720286	2			
017	RIVET, POP, 4.8 MM DIA., 13 MM LG., ALUMINIUM	Z0549/73AS68 Z5394/HYL9965	10			
018	RIVET, POP, 3.2 MM DIA., 13 MM LG., ALUMINIUM	Z0549/73AS46 Z5394/HYL9927	43			
019	CURTAIN, BLACKOUT ASSEMBLY, REAR ENTRANCE, RIGHT SIDE (INCLUDES WDA 020 TO WDA 024)	7230 66-139-2027 Z4976/720290 Z4976/720290	1	E	A	X LMH

ISSUE NO: 1 REPAIR PARTS SCALE : 02222 PAGE NO: 65

* GRADE OF REPAIR (LIGHT MEDIUM OR HEAVY)



**BLACKOUT CURTAIN ASSEMBLIES
-FRONT AND REAR**

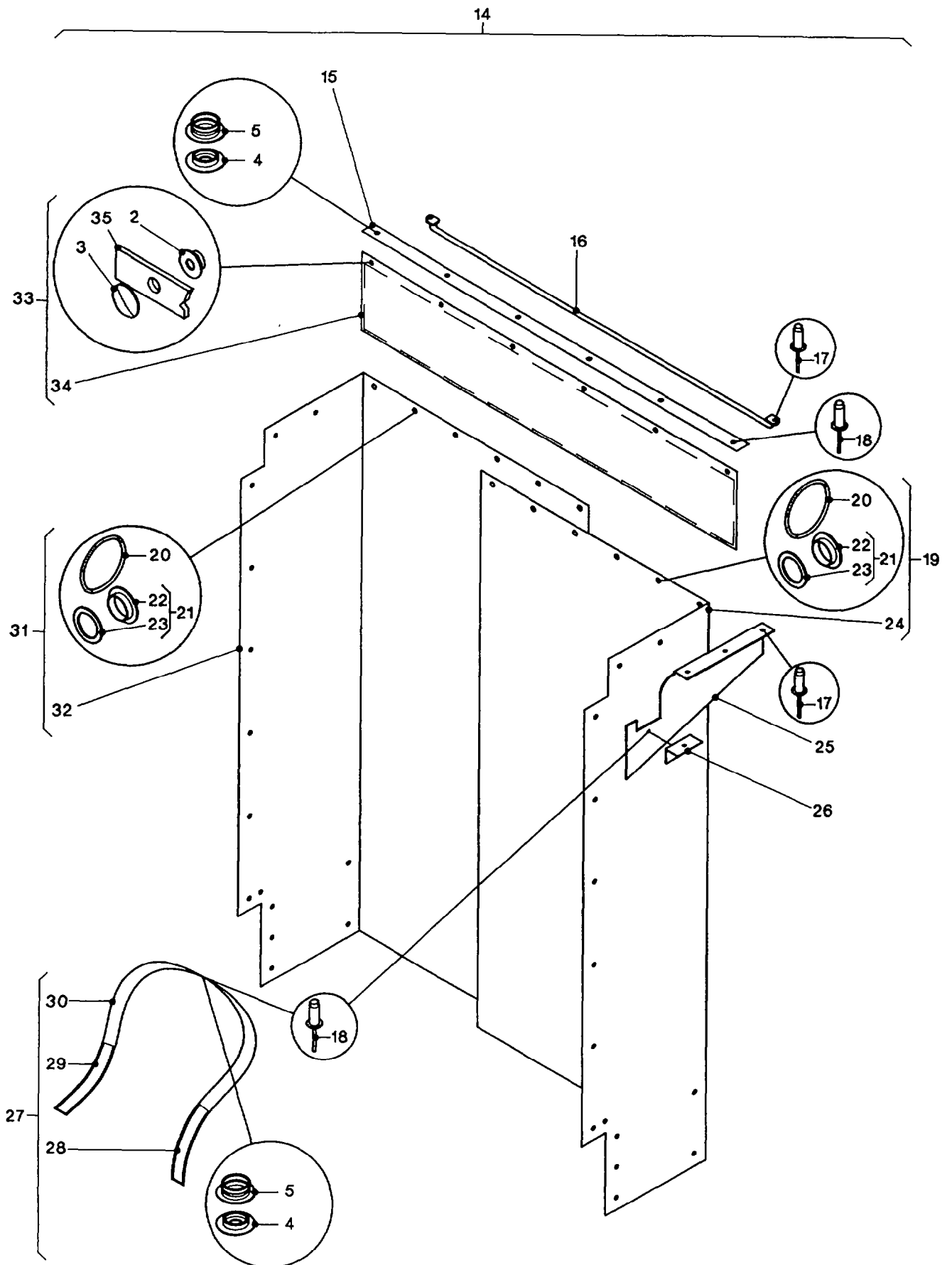
GROUP WDA

TITLE BLACKOUT CURTAIN ASSEMBLIES - FRONT AND REAR

ITEM NO	DESIGNATION	NSN MANUFACTURER CODE/PART NO SUPPLIER CODE/PART NO	NO OFF	U	E	L*
				O	X	M*
				I	P	H*
020	KEYRING, 3/4 IN. DIA., NICKEL PLATED. (ALSO PART OF WDA 019 AND WDA 031)	/NIL /NIL	12			
021	EYELET ASSEMBLY, 5 MM DIA., BRASS. (INCLUDES WDA 022 AND WDA 023, ALSO PART OF WDA 019 AND WDA 031)	ZA090/SPO ZA090/SPO	12			
022	STUD. (USE WDA 021)	/NIL /NIL	1			
023	POST. (USE WDA 021)	/NIL /NIL	1			
024	CANVAS, BLACKOUT CURTAIN, CAMOUFLAGE, 2600 MM W., 1800 MM H. (MANUFACTURE FROM WDA 907, ALSO PART OF WDA 019)	/NIL /NIL	1			
025	BRACKET, CURTAIN SUPPORT, RIGHT HAND, 320 MM LG., 150 MM W., 2 MM THK., ALUMINIUM (ALSO PART OF WDA 014)	Z4976/720292 Z4976/720292	1			
906	BRACKET, CURTAIN SUPPORT, LEFT HAND, 320 MM LG., 150 MM W., 2 MM THK., ALUMINIUM (ALSO PART OF WDA 014)	Z4976/720293 Z4976/720293	1			
026	BRACKET, CURTAIN SUPPORT RETENTION, 50 MM LG., 25 MM W., 25 MM H., 1.6 MM THK., ALUMINIUM. (ALSO PART OF WDA 014)	Z4976/720291 Z4976/720291	2			
027	STRAP ASSEMBLY, BLACKOUT CURTAIN TIE. (INCLUDES WDA 004, WDA 005 AND WDA 028 TO WDA 030)	Z4976/720289 Z4976/720289	2			
028	TAPE, VELCRO, HOOK, 150 MM LG., 20 MM W., BLACK. (MANUFACTURE FROM WDA 909)	/NIL /NIL	1			
029	TAPE, VELCRO, LOOP, 150 MM LG., 20 MM W., BLACK. (MANUFACTURE FROM WDA 910)	/NIL /NIL	1			

ISSUE NO: 1 REPAIR PARTS SCALE : 02222 PAGE NO: 66

* GRADE OF REPAIR (LIGHT MEDIUM OR HEAVY)



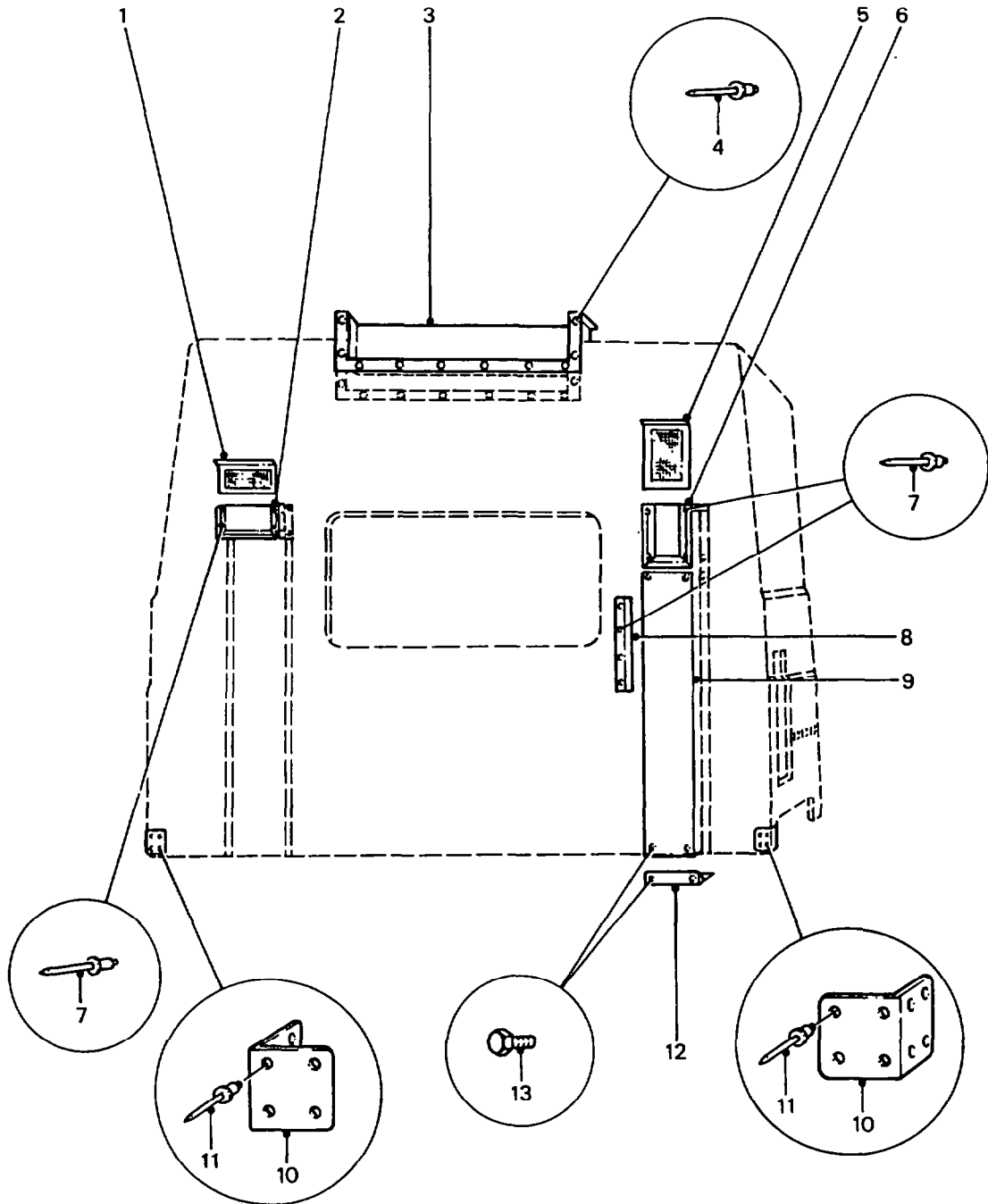
**BLACKOUT CURTAIN ASSEMBLIES
-FRONT AND REAR**

GROUP WDA
TITLE BLACKOUT CURTAIN ASSEMBLIES - FRONT AND REAR

ITEM NO	DESIGNATION	NSN MANUFACTURER CODE/PART NO SUPPLIER CODE/PART NO	NO OFF	U	E	L*
				O	X	M*
				I	P	H*
030	STRAP, WEBBING, 600 MM LG., 25 MM W., BLACK. (MANUFACTURE FROM WDA 901)	/NIL /NIL	1			
031	CURTAIN, BLACKOUT ASSEMBLY, REAR ENTRANCE, LEFT SIDE (INCLUDES WDA 020, WDA 021 AND WDA 032)	7230 66-139-2028 Z4976/720288 Z4976/720288	1	EA	X	LMH
032	CANVAS, BLACKOUT CURTAIN, CAMOUFLAGE, 2600 MM W., 1800 MM H. (MANUFACTURE FROM WDA 908)	/NIL /NIL	1			
033	CURTAIN ASSEMBLY, BLACKOUT, UPPER PANEL. (INCLUDES WDA 002, WDA 003, WDA 034 AND WDA 035)	Z4976/720287 Z4976/720287	1			
034	CANVAS, BLACKOUT CURTAIN, CAMOUFLAGE, 780 MM LG., 140 MM W. (MANUFACTURE FROM WDA 908, ALSO PART OF WDA 033)	/NIL /NIL	1			
035	TAPE, VELCRO, HOOK, 25 MM W., 780 MM LG., BLACK. (MANUFACTURE FROM WDA 909, ALSO PART OF WDA 033)	/NIL /NIL	1			
907	TAPE, VELCRO, LOOP, SELF ADHESIVE, 25 M BULK LG., 25 MM W., BLACK. (USE WDA 910)	/NIL /NIL	1			
908	CANVAS, CAMOUFLAGE, CAM 3, COTTON TYPE, 50 M BULK LG., 1830 MM W. (ORDER BY DESCRIPTION, USE AS REQUIRED)	ZX695/NIL ZX695/NIL	1			
909	TAPE, VELCRO, HOOK, 25 M BULK LG., BLACK. (USE AS REQUIRED)	ZF848/14747 ZF848/14747	1			
910	TAPE, VELCRO, LOOP, 25 M BULK LG., BLACK. (USE AS REQUIRED)	ZF848/14747 ZF848/14747	1			

ISSUE NO: 1 REPAIR PARTS SCALE : 02222 PAGE NO: 67

* GRADE OF REPAIR (LIGHT MEDIUM OR HEAVY)

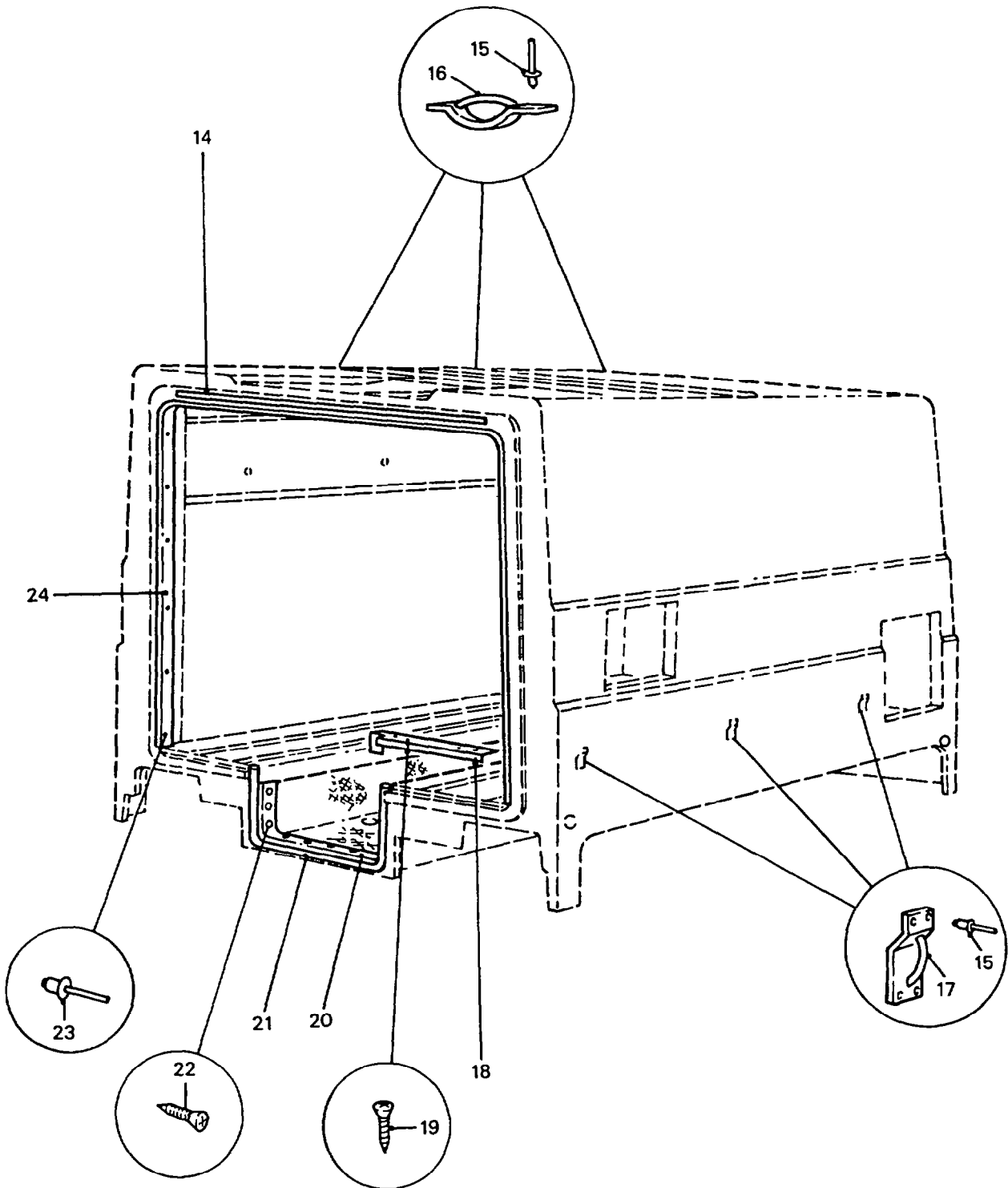


EXTERIOR FIXTURES - MODULE

GROUP WE
TITLE EXTERIOR FIXTURES - MODULE

ITEM NO	DESIGNATION	NSN MANUFACTURER CODE/PART NO SUPPLIER CODE/PART NO	NO OFF	U O	E X	L* M*
				I	P	H*
001	SCREEN, AIR FLOW VENT, FIBREGLASS, STAINLESS STEEL GAUZE 165 MM BY 90 MM	Z4976/720042 Z5394/HYL9938	1			
002	KEEPER, AIR FLOW VENT SCREEN, STEEL, 165 MM BY 90 MM, 0.9, THK., ZINC ANNEALED	Z4976/720017 Z5394/HYL9939	1			
003	PANEL, MOUNTING, AIR CONDITIONING CONDENSOR UNIT, FIBREGLASS.	Z4976/720194 Z5394/HYL9940	1			
004	RIVET, POP, COUNTERSUNK, 1/8 IN. DIA., 1/2 IN. LG., ALUMINIUM.	Z1742/1604-0412 Z5394/HYL9993	25			
005	SCREEN, AIR CONDITIONER VENT, FIBREGLASS AND STAINLESS STEEL GAUZE, 245 MM BY 170 MM	Z4976/720157 Z5394/HYL9941	1			
006	KEEPER, AIR CONDITIONER VENT SCREEN, STEEL, 245 MM BY 170 MM, 0.9 MM THK., ZINC ANNEALED.	Z4976/720018 Z5394/HYL9942	1			
007	RIVET, POP, 3.2 MM DIA., 13 MM LG., ALUMINIUM	Z0549/73AS46 Z5394/HYL9927	14			
008	PLATE, RETENTION, AIR CONDITIONER ACCESS PANEL, 300 MM BY 50 MM, 0.9 MM THK., STAINLESS STEEL.	Z4976/700761 Z5394/HYL9442	4			
009	PANEL, ACCESS, AIR CONDITIONER COOLING AIR INTAKE, 980 MM BY 170 MM, FIBREGLASS.	Z4976/720159 Z5394/HYL9943	1			
010	GUARD, STONE, 120 MM BY 120 MM LG., 90 DEG. ANGLE, 120 MM W., 0.9 MM THK., STEEL	Z4976/720171 Z5394/HYL9944	2			
011	RIVET, POP, 4.8 MM DIA., 13 MM LG., ALUMINIUM	Z0549/73AS65 Z5394/HYL9945	16			
012	PLATE, BLANKING, VENT, STEEL, 90 DEG. ANGLE, 50 MM BY 20 MM, 160 MM LG., 0.9 MM THK.	Z4976/720158 Z5394/HYL9946	1			

* GRADE OF REPAIR (LIGHT MEDIUM OR HEAVY)



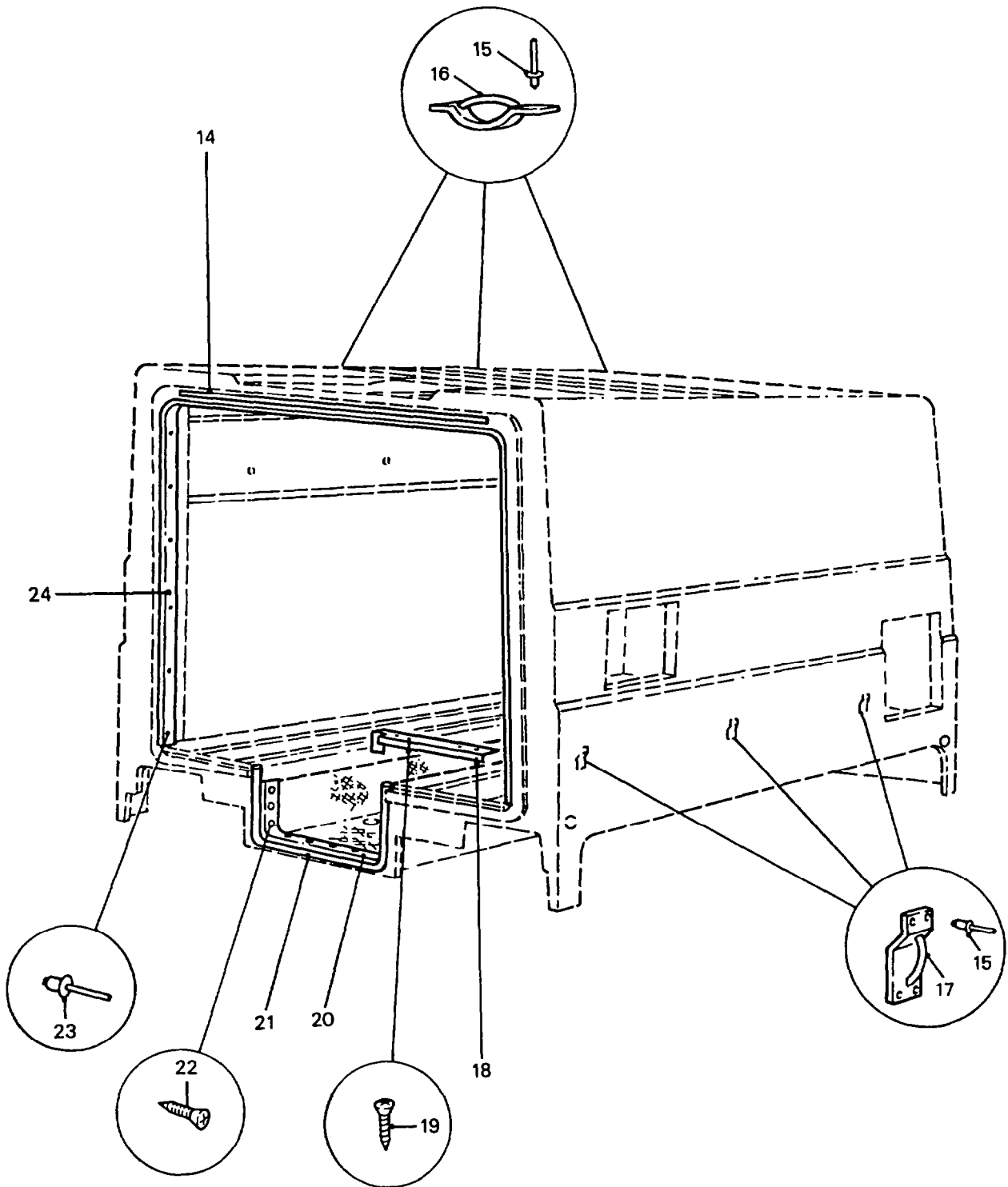
EXTERIOR FIXTURES - MODULE

GROUP WE
TITLE EXTERIOR FIXTURES - MODULE

ITEM NO	DESIGNATION	NSN MANUFACTURER CODE/PART NO SUPPLIER CODE/PART NO	NO OFF	U	E	L*
				I	P	H*
013	SCREW, TEKS, SELF DRILLING-THREADING, POINTED, FLANGED, HEX. HD., 10-24 BY 16 MM LG., CADMIUM PLATED.	ZR910/10-24 BY 16 MM Z5394/AB604061	6			
014	MOULDING, GUTTER, ALUMINIUM, 1735 MM LG., 75 MM W., 2 MM THK.	Z4976/700412 Z5394/HYL9453	1			
015	RIVET, POP, 4.8 MM DIA., 17 MM LG., STAINLESS STEEL, OPEN END, FIXED BREAK OFF STEM HEAD	ZL374/BE610618 Z5394/HYM773	45			
016	BRACKET, TIE DOWN CAMOUFLAGE NET, MODULE SHELL, STAINLESS STEEL	2540 66-142-7672 Z5394/HYM744 Z5394/HYM744	6EA	X		LMH
017	BRACKET, TIE DOWN SIDE, CAMOUFLAGE NET, MODULE SHELL.	2540 66-128-5897 Z4976/700725 Z5394/HYL9433	6EA	X		LMH
018	MOULDING, REAR, R.H. DECKING, STAINLESS STEEL, 540 MM LG., 50 MM W., 0.9 MM THK.	Z4976/720177 Z5394/HYL9947	1			
901	MOULDING, REAR, L.H. DECKING STAINLESS STEEL, 540 MM LG., 50 MM W., 0.9 MM THK.	Z4976/720176 Z5394/HYL9948	1			
019	SCREW, RECESSED COUNTERSUNK HD., SELF TAPPING, POINTED, 8 GAUGE, 25 MM LG., ZINC PLATED.	ZR910/8X25CSK Z5394/HYL9991	10			
020	MOULDING, REAR, WALKWAY, STAINLESS STEEL, 1200 MM LG., 65 MM W., 0.9 MM THK.	Z4976/720175 Z5394/HYL9949	1			
021	SEAL, WALKWAY, RUBBER, 1350 MM LG., (MANUFACTURED FROM WE 903)	Z4976/720031 Z5394/HYM53	1			
022	SCREW, RECESSED COUNTERSUNK HD., SELF-TAPPING, BLUNT, 8 MM DIA. THD., 25 MM LG., ZINC PLATED.	ZR910/8X25CSK-TYPE17 Z5394/HYL9990	11			
023	RIVET, BLIND ALUMINIUM, 1/8 IN. BY 3/4 IN	5320 66-128-4634 Z5394/RU608123 Z5394/RU608123	90EA	X		LMH

ISSUE NO: 1 REPAIR PARTS SCALE : 02222 PAGE NO: 69

* GRADE OF REPAIR (LIGHT MEDIUM OR HEAVY)

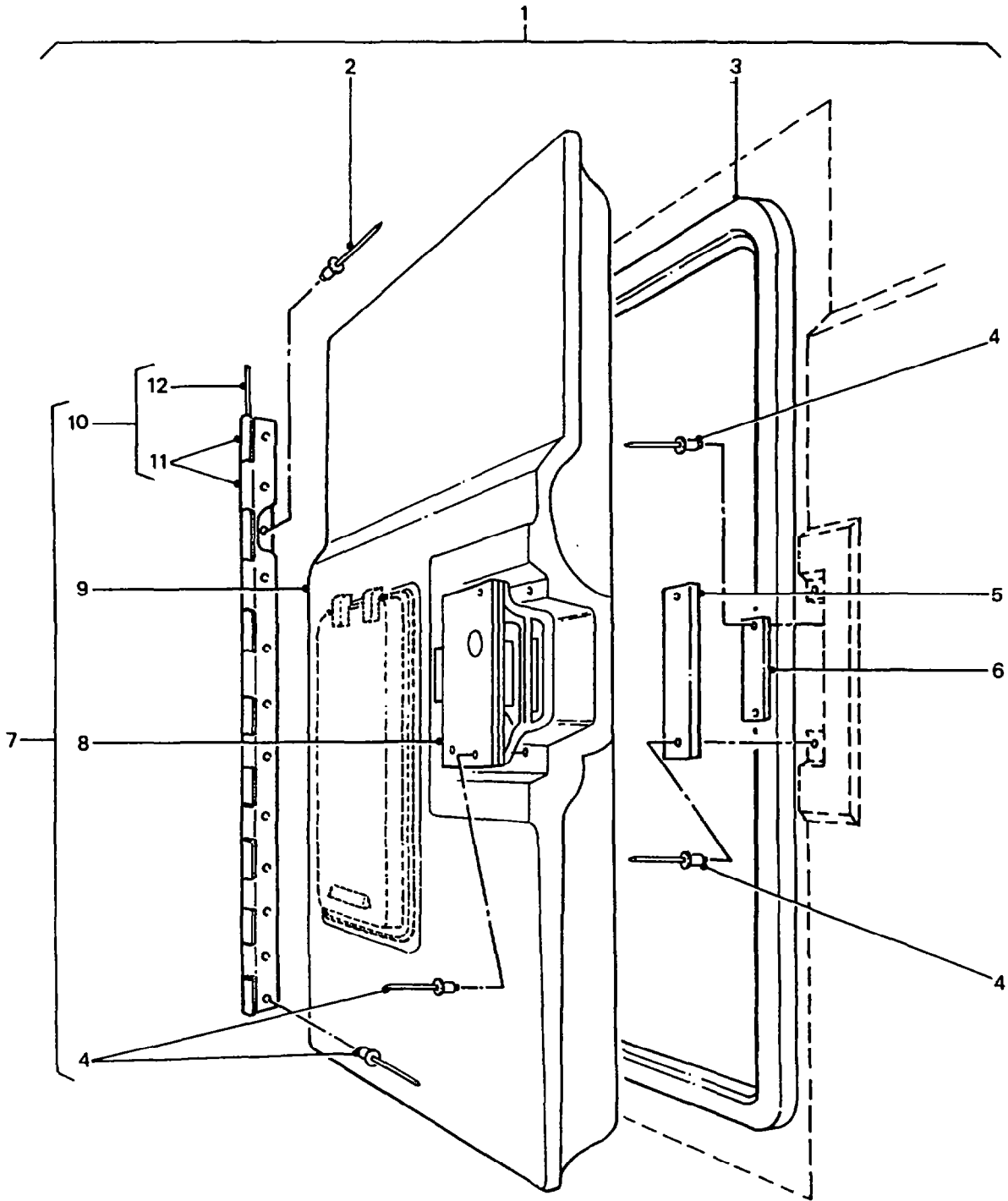


EXTERIOR FIXTURES - MODULE

GROUP WE
TITLE EXTERIOR FIXTURES - MODULE

ITEM NO	DESIGNATION	NSN MANUFACTURER CODE/PART NO SUPPLIER CODE/PART NO	NO	U	E	L*
			OFF	O	X	M*
			I	P	H*	
024	MOULDING, REAR DOOR OPENING, STAINLESS STEEL, 2165 MM LG., 72 MM W., 0.9 MM THK.	Z4976/700763 Z5394/HYL9439	1			
902	PLATE, COVER, REAR DOOR OPENING MOULDING, STAINLESS STEEL, 80 MM BY 50 MM, 0.9 MM THK.	Z4976/700762 Z4976/700762	1			
903	SEAL, RUBBER, PINCHWELD, 50 M BULK LG. (USE AS REQUIRED)	Z4914/283879 Z4914/283879	1			

* GRADE OF REPAIR (LIGHT MEDIUM OR HEAVY)

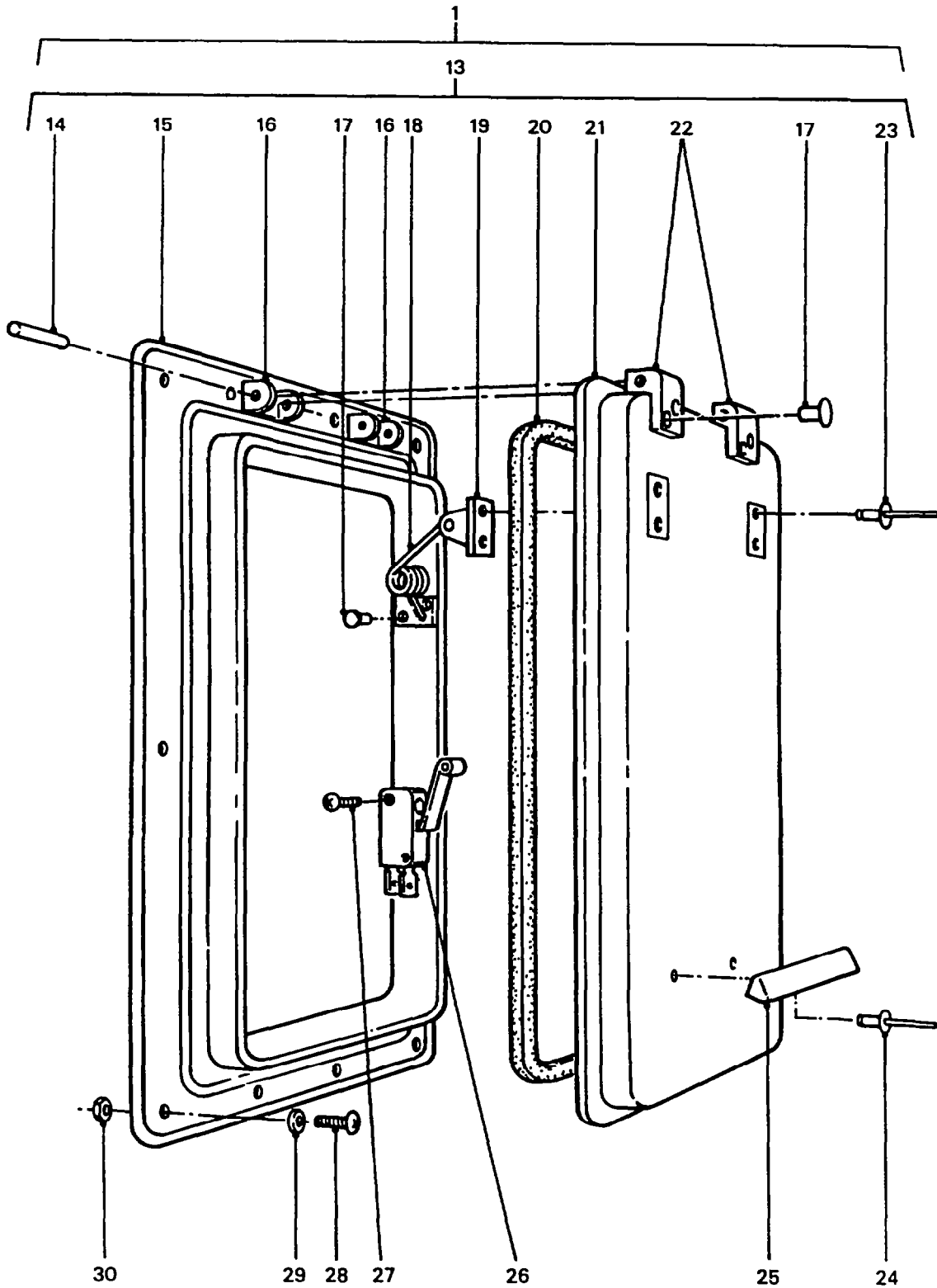


**EXTERIOR LOCKER DOOR, MOUNTINGS,
FAN AND VENT - AIR CONDITIONER**

GROUP WEA
TITLE EXTERIOR LOCKER DOOR, MOUNTINGS, FAN AND VENT -
 AIR CONDITIONER

ITEM NO	DESIGNATION	NSN MANUFACTURER CODE/PART NO SUPPLIER CODE/PART NO	NO OFF	U O	E X	L* M* H*
001	DOOR ASSEMBLY, LOCKER, EXTERIOR, AIR CONDITIONER. (INCLUDES WEA 002, WEA 007 AND WEA 013)	Z4976/720073 Z5394/HYM1	1			
002	RIVET, BLIND ALUMINIUM, 1/8 IN. BY 3/4 IN	5320 66-128-4634 Z5394/RU608123 Z5394/RU608123	11	EA	X	LMH
003	SEAL, EXTERIOR LOCKER DOOR, RUBBER, 1420 MM LG. (MANUFACTURE FROM WEA 901)	Z4976/700665 Z5394/HYL9463	1			
004	RIVET, POP, 3/16 IN. DIA., 7/8 IN. LG., ALUMINIUM.	Z0549/73TA68 Z5394/HYM2	19			
005	PLATE, DOOR LOCK, EXTERIOR LOCKER, 150 MM LG., 25 MM W.	Z4976/700406 Z5394/HYL9470	1			
006	PLATE, DOOR LOCK, EXTERIOR LOCKER, 100 MM LG., 25 MM W.	Z4976/700407 Z5394/HYL9469	1			
007	DOOR ASSEMBLY, LOCKER, EXTERIOR. (INCLUDES WEA 004 - 15 OFF AND WEA 008 TO WEA 010, ALSO PART OF WEA 001)	Z4976/720127 Z4976/720127	1			
008	LOCK ASSEMBLY, EXTERIOR LOCKER DOOR. (ALSO PART OF WEA 007)	Z4976/700667 Z5394/HYL9468	1			
009	DOOR, EXTERIOR LOCKER. (USE WEA 007)	/NIL /NIL	1			
010	HINGE ASSEMBLY, PIANO, 425 MM LG., 63 MM OPEN WIDTH 1.6 MM THK., STAINLESS STEEL (INCLUDES WEA 011 AND WEA 012, ALSO PART OF WEA 007, MANUFACTURE FROM WEA 902)	Z4976/700673 Z5394/HYL9466	1			
011	PLATE, HINGE. (USE WEA 010)	/NIL /NIL	1			
012	PIN, HINGE, 425 MM LG., 4.5 MM DIA., STAINLESS STEEL (USE WEA 010)	/NIL /NIL	1			

* GRADE OF REPAIR (LIGHT MEDIUM OR HEAVY)

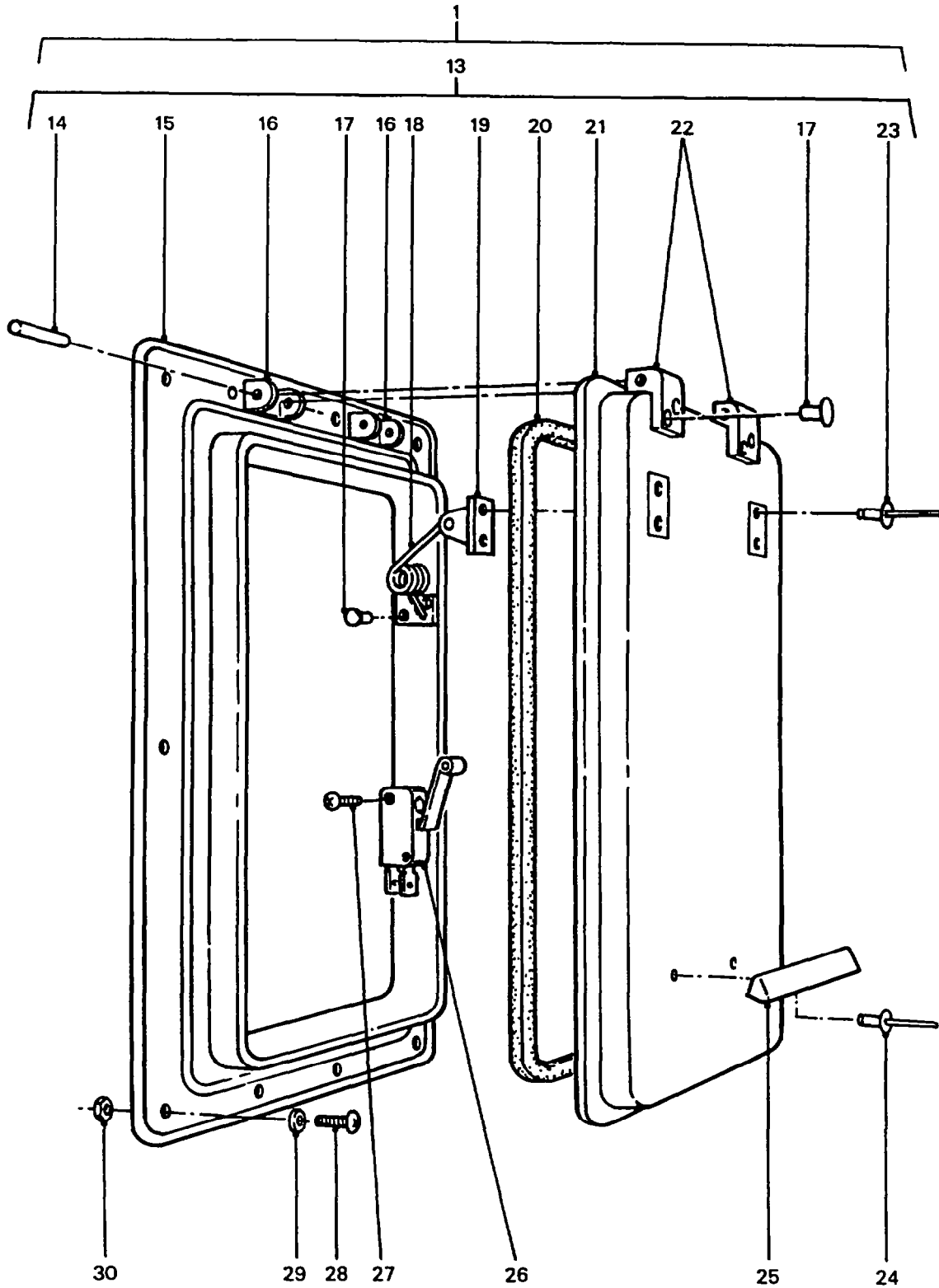


**EXTERIOR LOCKER DOOR, MOUNTINGS,
FAN AND VENT - AIR CONDITIONER**

GROUP WEA
TITLE EXTERIOR LOCKER DOOR, MOUNTINGS, FAN AND VENT -
 AIR CONDITIONER

ITEM NO	DESIGNATION	NSN MANUFACTURER CODE/PART NO SUPPLIER CODE/PART NO	NO OFF	U O	E X	L* M* H*
013	VENT ASSEMBLY, EXTERIOR LOCKER DOOR, AIR CONDITIONER. (INCLUDES WEA 014 TO WEA 023, ALSO PART OF WEA 001)	ZF194/623-001 Z5394/HYM3	1			
014	PIN, ROLL, LID HINGE, 5 MM DIA., 28 MM LG., SPRING STEEL. (USE WEA 013)	/NIL /NIL	1			
015	FRAME, VENT, 265 MM LG., 214 MM W., ONE PIECE ALUMINIUM PRESSURE DIECAST (USE WEA 013)	/NIL /NIL	1			
016	BRACKET, HINGE, FRAME MOUNTED, 'U' SHAPED, 14 MM BY 14 MM BY 17 MM, 2.5 MM THK., ONE 4.76 MM DIA. HOLE, TWO 5 MM DIA. HOLES, MILD STEEL. (USE WEA 013)	/NIL /NIL	2			
017	RIVET, SOLID, 5 MM DIA., 10 MM LG., ALUMINIUM.	/NIL /NIL	8			
018	SPRING, VENT LID, 3 COIL, LIGHT GAUGE. (USE WEA 013)	/NIL /NIL	2			
019	BRACKET, SPRING TO LID. (USE WEA 013)	/NIL /NIL	2			
020	SEAL, LID TO FRAME, 600 MM LG., 8 MM W., 3 MM THK., RECTANGULAR SECTION, SYNTHETIC RUBBER. (USE WEA 013)	/NIL /NIL	1			
021	LID, VENT, 215 MM LG., 165 MM W., MILD STEEL (USE WEA 013)	/NIL /NIL	1			
022	BRACKET, HINGE, LID MOUNTED. (USE WEA 013)	/NIL /NIL	2			
023	RIVET, POP, 3.2 MM DIA., 13 MM LG., ALUMINIUM.	Z0549/73AS46 Z5394/HYL9926	4			

* GRADE OF REPAIR (LIGHT MEDIUM OR HEAVY)

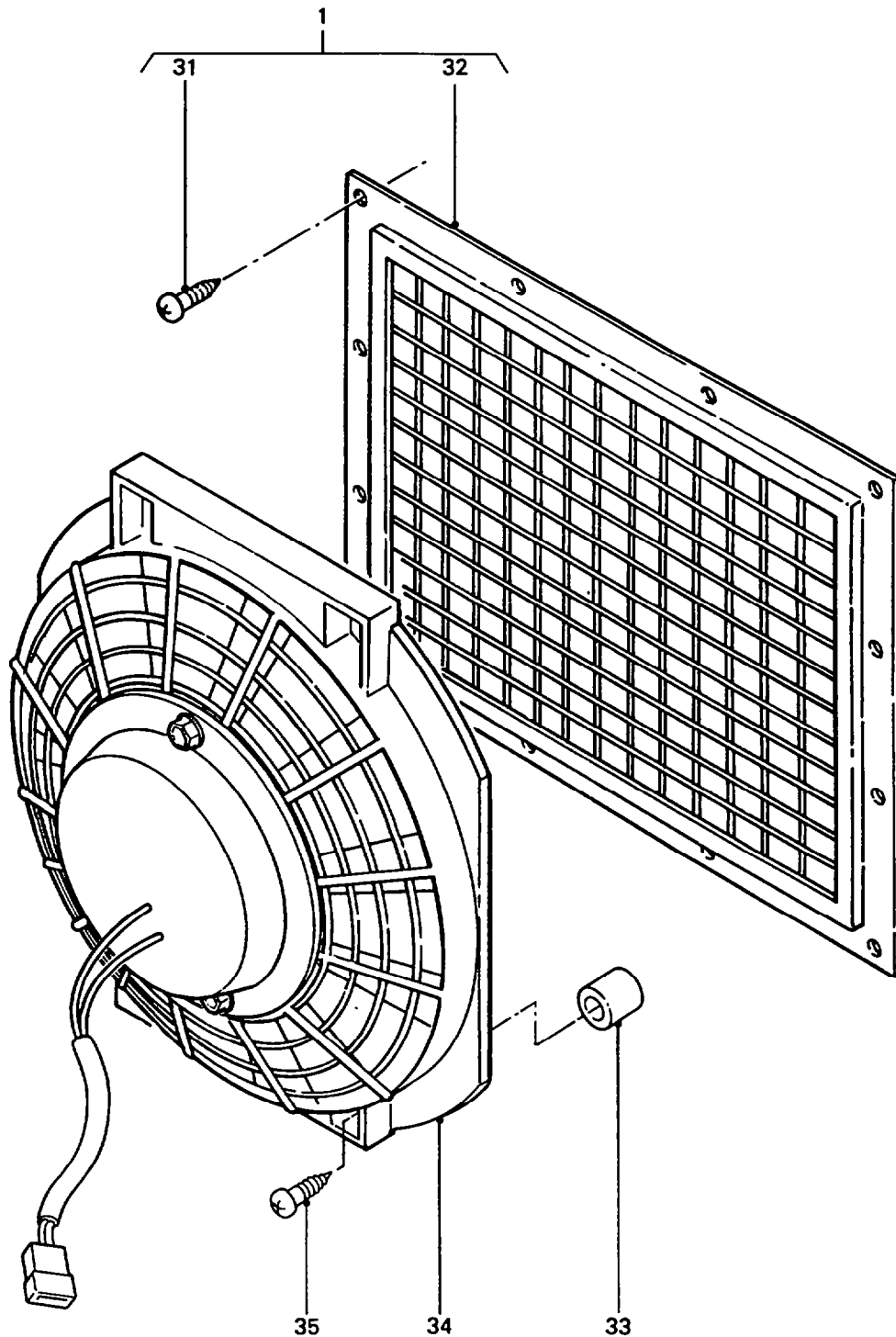


**EXTERIOR LOCKER DOOR, MOUNTINGS,
FAN AND VENT - AIR CONDITIONER**

GROUP WEA
TITLE EXTERIOR LOCKER DOOR, MOUNTINGS, FAN AND VENT -
 AIR CONDITIONER

ITEM NO	DESIGNATION	NSN MANUFACTURER CODE/PART NO SUPPLIER CODE/PART NO	NO OFF	U	E	L*
				O	X	M*
			I	P	H*	
024	RIVET, POP, 4.8 MM DIA., 13 MM LG., ALUMINIUM	Z0549/73AS65 Z5394/HYL9945	4			
025	HANDLE, VENT LID.	Z4976/720077 Z5394/HYM4	1			
026	SWITCH, MICRO, AIR CONDITIONER, 0.25 AMP, 250 VOLT.	ZA231/V32111D8 Z5394/HYM31	1			
027	SCREW, RECESSED PAN HD., 3 MM DIA., 10 MM LG., COARSE THD., ZINC PLATED.	Z5394/SE103101 Z5394/SE103101	2			
028	SCREW, RECESSED COUNTERSUNK HD., 4 MM DIA., 25 MM LG., COARSE THD., ZINC PLATED.	Z5394/SF104251 Z5394/HYM31	10			
029	WASHER, FLAT, RD., STEEL, 4 MM BOLT SIZE.	U1030/WA104001 Z5394/WA104001	10			
030	NUT, SELF-LOCKING, HEX., ISO M, STEEL, CAD PLATED, 4.0 MM, 7.0 MM A/F, 5.0 MM O/A H.	U1030/NY104041 Z5394/NY104041	10			
031	SCREW, RECESSED PAN HD., NUMBER 8 GAUGE, 1 IN. LG., ZINC PLATED.	Z5394/AB608041 Z5394/AB608041	8			
032	GRILLE, EXTERIOR LOCKER DOOR, AIR CONDITIONER, 310 MM LG., 260 MM W., 0.9 MM THK., SPECIAL.	Z4976/720071 Z5394/HYM5	1			
033	SPACER, 15 MM LG., 12 MM DIA., TURNOL, SPECIAL.	Z4976/720072 Z5394/HYM6	4			
034	FAN, COOLING, AIR CONDITIONER, EXTERIOR LOCKER DOOR, 11 IN. DIA. (REFER GROUP WVF)	Z5141/26-5019 Z5394/HYM0595	1			
035	SCREW, RECESSED PAN HD., 6 MM GAUGE, 30 MM LG., ZINC PLATED, SELF TAPPING.	Z5394/AB106301 Z5394/AB106301	4			
901	SEAL, 50 M BULK LG., PINCHWELD. (USE AS REQUIRED)	Z4914/60004 Z4914/60004	1			

* GRADE OF REPAIR (LIGHT MEDIUM OR HEAVY)

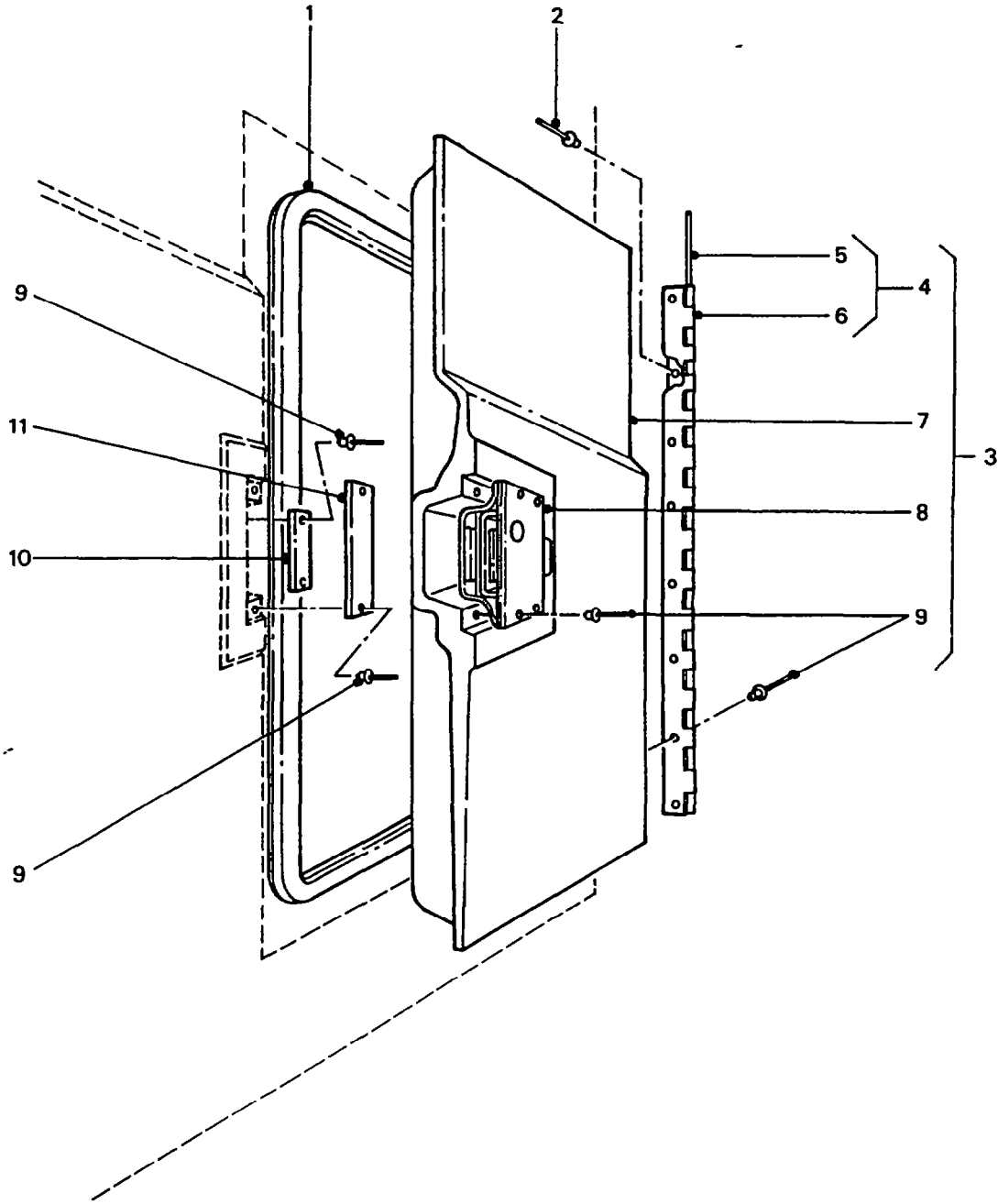


**EXTERIOR LOCKED DOOR, MOUNTINGS,
FAN AND VENT - AIR CONDITIONER**

GROUP WEA
TITLE EXTERIOR LOCKER DOOR, MOUNTINGS, FAN AND VENT -
 AIR CONDITIONER

ITEM NO	DESIGNATION	NSN MANUFACTURER CODE/PART NO SUPPLIER CODE/PART NO	NO OFF	U O I	E X P	L* M* H*
902	HINGE, PIANO, CONTINUOUS, 1800 MM BULK LG., 63 MM OPEN WIDTH, 1.6 MM THK., UNDRILLED, STAINLESS STEEL. (ORDER BY DESCRIPTION, USE AS REQUIRED)	ZF194/NIL ZF194/NIL	1			

* GRADE OF REPAIR (LIGHT MEDIUM OR HEAVY)



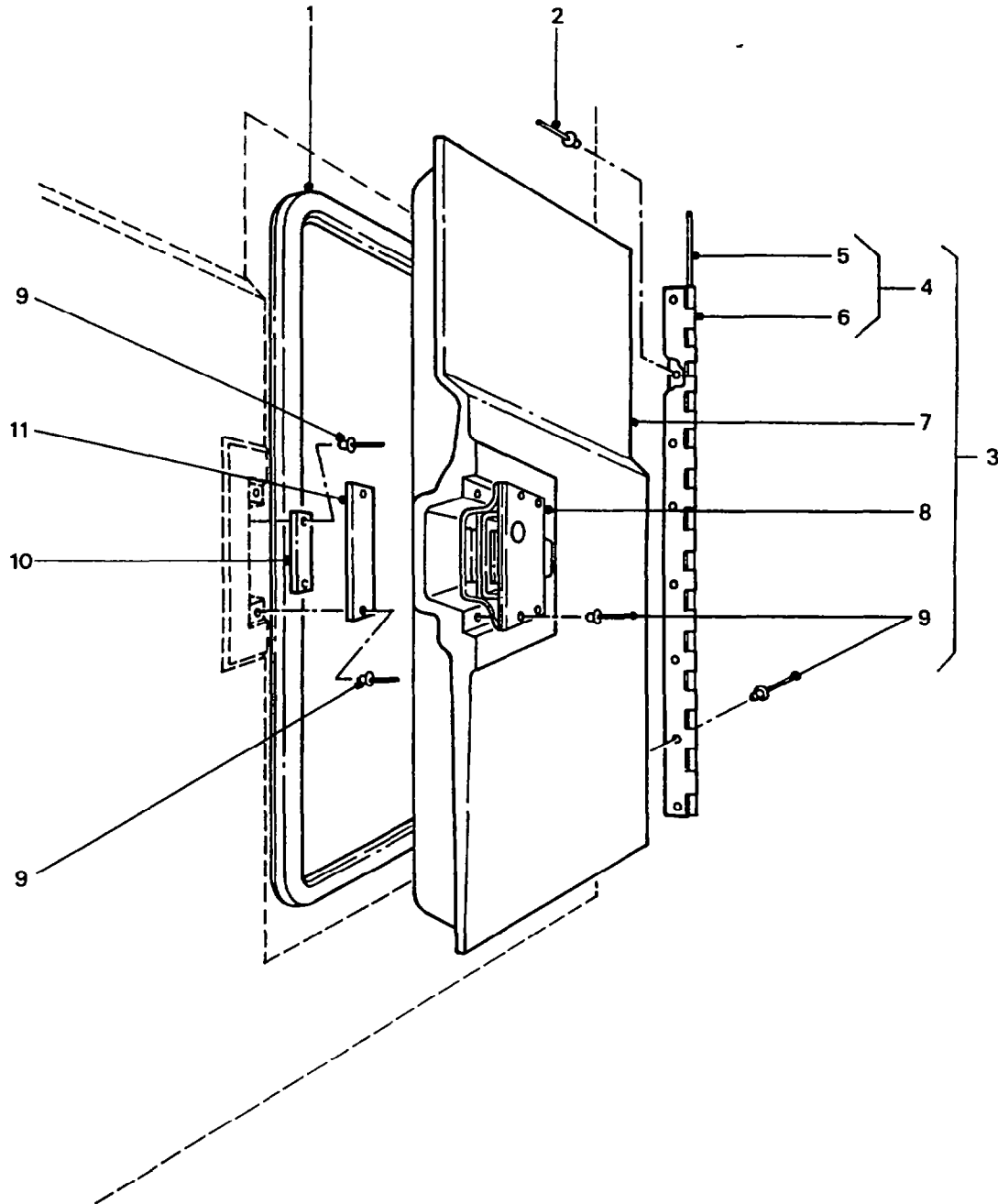
**EXTERIOR LOCKER DOOR, MOUNTINGS,
AND LOCK - MODULE R.H.**

GROUP WEB
TITLE EXTERIOR LOCKER DOOR, MOUNTINGS AND LOCK - MODULE
R.H.

ITEM NO	DESIGNATION	NSN MANUFACTURER CODE/PART NO SUPPLIER CODE/PART NO	NO OFF	U	E	L*
				O	X	M*
			I	P	H*	
001	SEAL, EXTERIOR LOCKER DOOR, RUBBER, 1420 MM LG. (MANUFACTURE FROM WEB 901)	ZC691/700665 Z5394/HYL9463	1			
002	RIVET, BLIND ALUMINIUM, 1/8 IN. BY 3/4 IN	5320 66-128-4634 Z5394/RU608123 Z5394/RU608123	17	EA	X	LMH
003	DOOR ASSEMBLY, LOCKER, EXTERIOR, RIGHT HAND. (INCLUDES WEB 004 TO WEB 009)	ZC691/700658 Z5394/HYL9465	1			
004	HINGE ASSEMBLY, PIANO, 425 MM LG., 1.6 MM THK., 63 MM OPEN WIDTH, STAINLESS STEEL. (INCLUDES WEB 005 AND WEB 006, ALSO PART OF WEB 003, MANUFACTURE FROM WEB 902)	ZC691/700666 Z5394/HYL9467	1			
005	PIN, HINGE, 4.5 MM DIA., STAINLESS STEEL. (USE WEB 004)	/NIL /NIL	1			
006	PLATE, HINGE. (USE WEB 004)	/NIL /NIL	2			
007	DOOR, EXTERIOR LOCKER. (USE WEB 003)	/NIL /NIL	1			
008	LOCK ASSEMBLY, EXTERIOR LOCKER DOOR. (ALSO PART OF WEB 003)	ZC691/700667 Z5394/HYL9468	1			
009	RIVET, POP, 3/16 IN. DIA., 7/8 IN. LG., ALUMINIUM. (ALSO PART OF WEB 003)	Z0549/73TA68 Z5394/HYM2	8			
010	PLATE, DOOR LOCK, EXTERIOR LOCKER, 100 MM LG., 25 MM W.	ZC691/700407 Z5394/HYL9469	1			
011	PLATE, DOOR LOCK, EXTERIOR LOCKER, 150 MM LG., 25 MM W.	ZC691/700406 Z5394/HYL9470	1			
901	SEAL, PINCHWELD, 50 M BULK LG. (USE AS REQUIRED)	Z3049/60004 Z3049/60004	1			

ISSUE NO: 1 REPAIR PARTS SCALE : 02222 PAGE NO: 75

* GRADE OF REPAIR (LIGHT MEDIUM OR HEAVY)

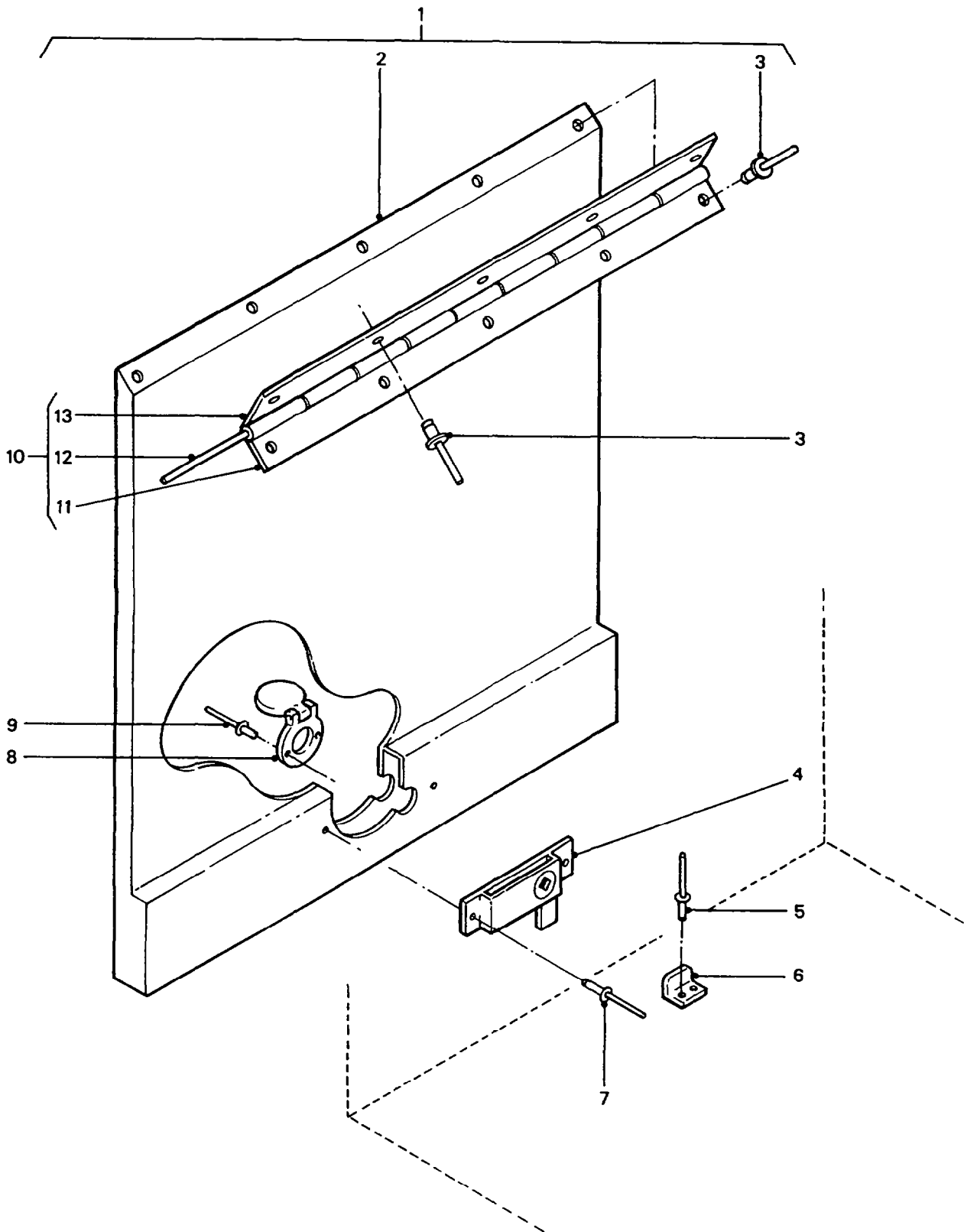


**EXTERIOR LOCKER DOOR, MOUNTINGS,
AND LOCK - MODULE R.H.**

GROUP WEB
TITLE EXTERIOR LOCKER DOOR, MOUNTINGS AND LOCK - MODULE
R.H.

ITEM NO	DESIGNATION	NSN MANUFACTURER CODE/PART NO SUPPLIER CODE/PART NO	NO OFF	U O I	E X P	L* M* H*
902	HINGE, PIANO, CONTINUOUS, 1800 MM LG., 63 MM OPEN W., 1.6 MM THK., UNDRILLED, STAINLESS STEEL. (ORDER BY DESCRIPTION, USE AS REQUIRED)	ZF194/NIL ZF194/NIL	1			

* GRADE OF REPAIR (LIGHT MEDIUM OR HEAVY)



**EXTERIOR ACCESS DOOR, MOUNTINGS
AND LOCK - AUXILIARY POWER
SOCKETS**

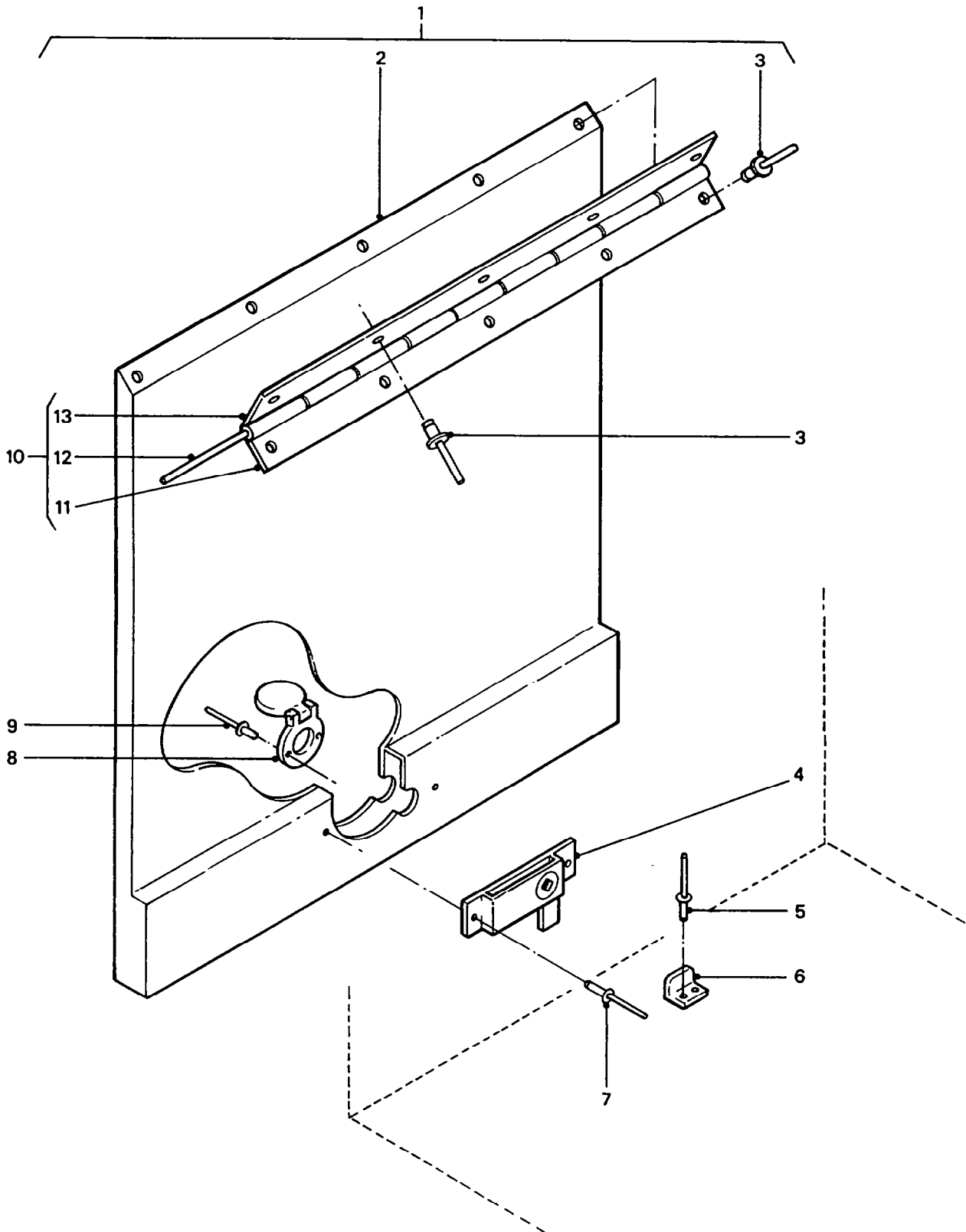
GROUP WEC

TITLE EXTERIOR ACCESS DOOR, MOUNTINGS AND LOCK -
AUXILIARY POWER SOCKETS

ITEM NO	DESIGNATION	NSN MANUFACTURER CODE/PART NO SUPPLIER CODE/PART NO	NO OFF	U	E	L*
				I	P	H*
001	DOOR ASSEMBLY, EXTERNAL ELECTRICAL SUPPLY ACCESS. (INCLUDES WEC 002 TO WEC 004 AND WEC 007 TO WEC 010)	Z4681/720008 Z5394/HYL9951	1			
002	DOOR, 290 MM LG., 350 MM W., 1 MM THK., SHEET METAL, ZINC ANNEALED. (MANUFACTURE FROM WEC 901, ALSO PART OF WEC 001)	Z4681/720009 Z4681/720009	1			
003	RIVET, POP, 1/8 IN. DIA., 1/4 IN. LG., ALUMINIUM. (ALSO PART OF WEC 001)	Z0549/73AS42 Z5394/HYL9952	10			
004	LOCK, EXTERNAL ELECTRICAL SUPPLY ACCESS DOOR, 84 MM LG., 22 MM W., 19 MM TONGUE, LEFT HAND, STEEL, ZINC PLATED, BUDGET KEY OPERATED. (ALSO PART OF WEC 001)	ZF194/BL-1 Z5394/HYL9953	1			
005	RIVET, POP, 1/8 IN. DIA., 1/2 IN. LG., ALUMINIUM.	Z0549/73AS46 Z5394/HYL9927	2			
006	CLIP, DOOR LOCK, 25 MM LG., 20 MM HEIGHT, 15 MM W., 1.5 MM THK., ALUMINIUM.	Z4681/720010 Z5394/HYL9954	1			
007	RIVET, POP, 3/16 IN. DIA., 1/4 IN. LG., ALUMINIUM. (ALSO PART OF WEC 001)	Z0549/73AS62 Z5394/HYL9955	2			
008	ESCUTCHEON, EXTERNAL ELECTRICAL SUPPLY ACCESS DOOR, 28 MM DIA., SPRING LOADED, ZBA DIE-CASTING, CHROMIUM PLATED. (ALSO PART OF WEC 001)	ZF194/7-27900 Z5394/HYL9956	1			
009	RIVET, COUNTERSUNK, 13 MM DIA., 3 MM LG., ALUMINIUM. (ALSO PART OF WEC 001)	Z1742/1604-0412 Z5394/HYL9993	2			
010	HINGE ASSEMBLY, DOOR TO BODY, 18 GAUGE, PIANO, 350 MM LG., 30 MM OPEN DIA., BRASS (MANUFACTURE FROM WEC 902)	Z4681/720070 Z5394/HYL9957	1			
011	PLATE, HINGE. (USE WEC 010)	/NIL /NIL	1			

ISSUE NO: 1 REPAIR PARTS SCALE : 02222 PAGE NO: 77

* GRADE OF REPAIR (LIGHT MEDIUM OR HEAVY)



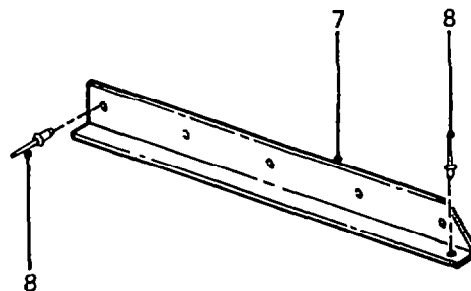
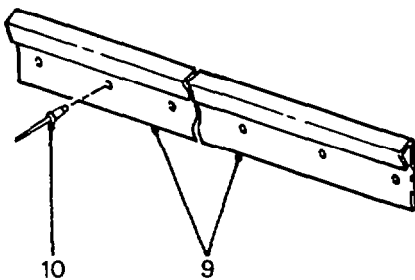
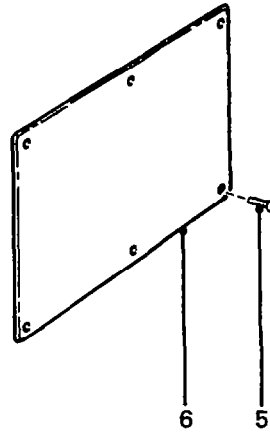
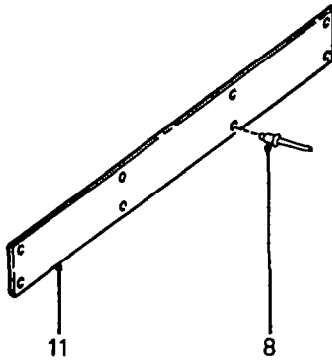
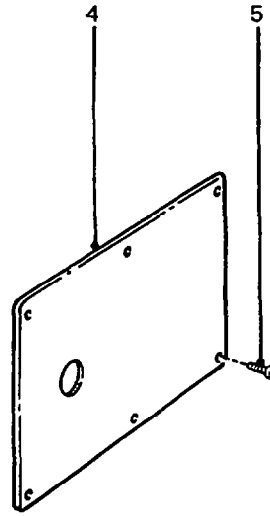
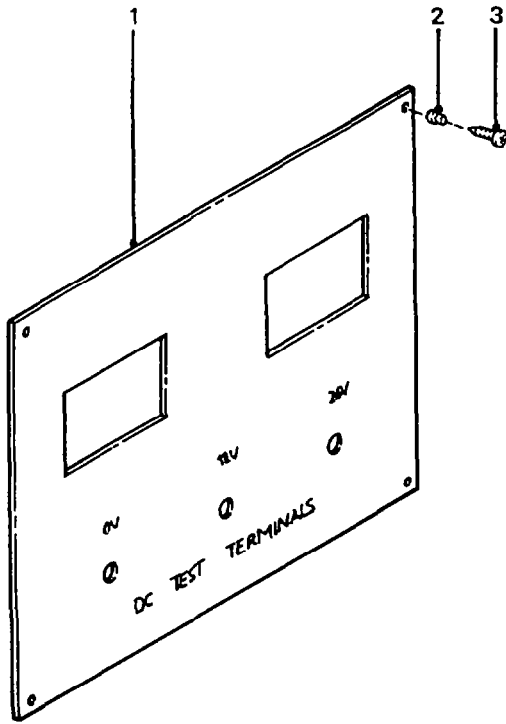
**EXTERIOR ACCESS DOOR, MOUNTINGS
AND LOCK - AUXILIARY POWER
SOCKETS**

GROUP WEC

TITLE EXTERIOR ACCESS DOOR, MOUNTINGS AND LOCK -
AUXILIARY POWER SOCKETS

ITEM NO	DESIGNATION	NSN MANUFACTURER CODE/PART NO SUPPLIER CODE/PART NO	NO OFF I	U O P	E X P	L* M* H*
012	PIN, HINGE. (USE WEC 010)	/NIL /NIL	1			
013	PLATE, HINGE. (USE WEC 010)	/NIL /NIL	1			
901	SHEET METAL, 2400 MM LG., 1200 MM W., 1 MM THK., ZINC ANNEALED. (ORDER BY DESCRIPTION, USE AS REQUIRED)	Z1701/NIL Z1701/NIL	1			
902	HINGE, PIANO, 2.4 M BULK LG., 18 GAUGE, 30 MM OPEN DIA., STAINLESS STEEL. (ORDER BY DESCRIPTION, USE AS REQUIRED)	ZR292/NIL ZR292/NIL	1			

* GRADE OF REPAIR (LIGHT MEDIUM OR HEAVY)

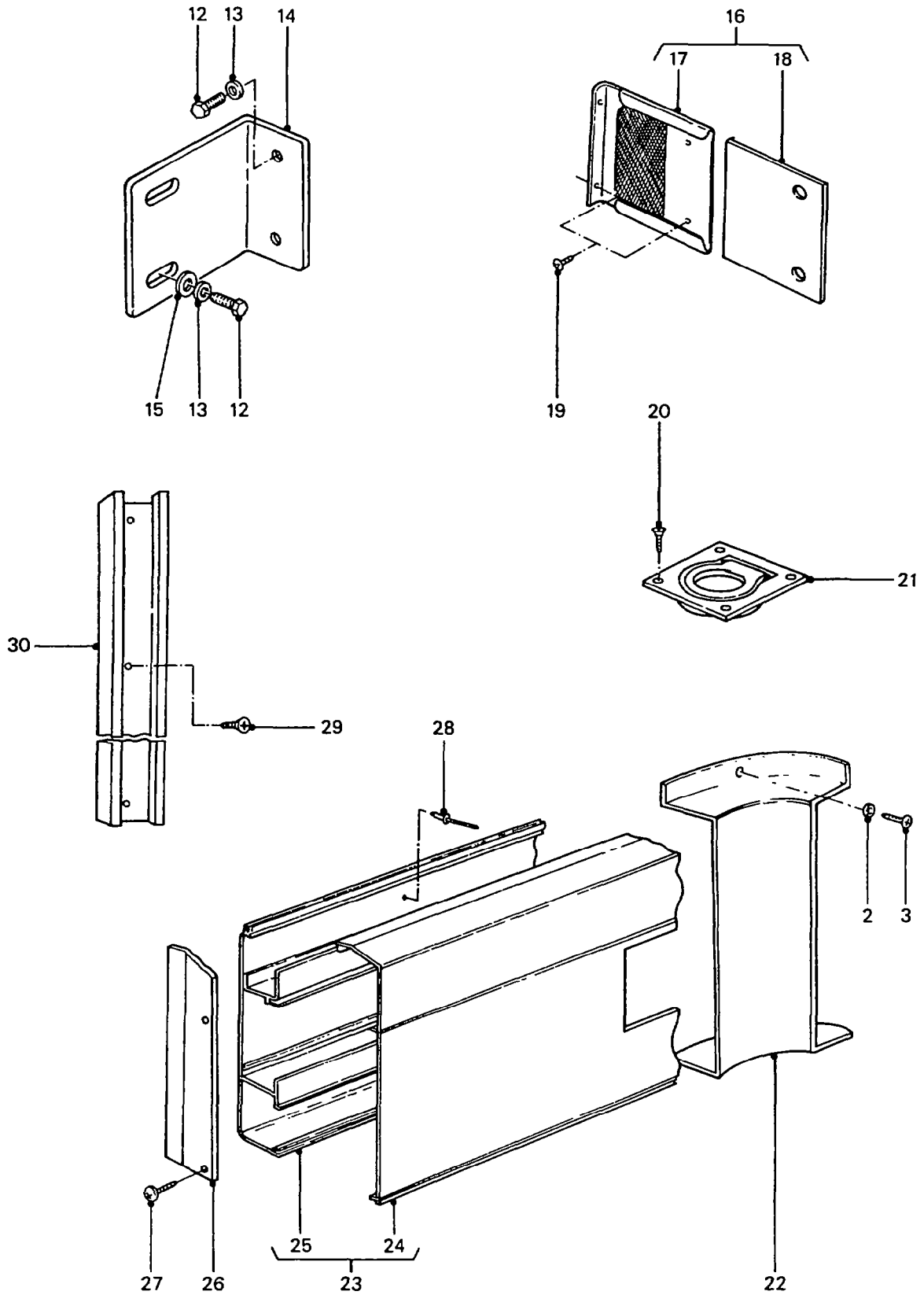


INTERIOR FIXTURES - MODULE

GROUP WF
TITLE INTERIOR FIXTURES - MODULE

ITEM NO	DESIGNATION	NSN MANUFACTURER CODE/PART NO SUPPLIER CODE/PART NO	NO OFF	U O I	E X P	L* M* H*
001	PANEL, DC TEST TERMINALS 300 MM BY 255 MM, 2 MM THK., GRAVOPLAST, BLACK LETTERING ON WHITE BACKGROUND.	Z4976/720230 Z5394/HYM123	1			
002	WASHER, CUP, NO. 6, 11 MM O.D., 4 MM I.D., BRASS, NICKEL PLATED.	ZU527/119B Z5394/HYL9097	20			
003	SCREW, RECESSED PAN HD., SELF TAPPING, POINTED, 6 GAUGE, 1 IN. LG., ZINC PLATED.	U1030/AB606081 Z5394/AB606081	6			
004	PLATE, COVER, REAR PANEL.	Z4976/700523 Z5394/HYL9288	1			
005	SCREW, TAPPING, THREAD FORMING, STEEL, PAN HD., SLOTTED, DOG TYPE POINT, NO. 6 BY 5/8 IN.	Z5394/AB606051 Z5394/AB606051	12			
006	PLATE, COVER, POWER INLET PANEL AND L.H. PUBLICATION LOCKER.	Z4976/700524 Z5394/HYL9296	2			
007	TRIM, FRONT WALL, L.H. 600 MM BY 45 MM BY 20 MM, 20 GAUGE, ZINC ANNEALED.	Z4976/720172 Z5394/HYM124	1			
901	TRIM, FRONT WALL, R.H. 600 MM BY 45 MM BY 20 MM, 20 GAUGE, ZINC ANNEALED.	Z4976/720173 Z5394/HYM125	1			
008	RIVET, POP, 3.2 MM DIA., 13 MM LG., ALUMINIUM	Z0549/73AS46 Z5394/HYL9927	56			
009	PLATE, BENCH-TOP RUBBER RETENTION, L.H., 2125 MM LG., 45 MM H., 25 MM FOLD, 20 GAUGE, ZINC ANNEALED.	Z4976/720121 Z5394/HYM126	1			
902	PLATE, BENCH-TOP RUBBER RETENTION R.H., 540 MM LG., 45 MM H., 25 MM FOLD, 20 GAUGE, ZINC ANNEALED.	Z4976/720122 Z5394/HYM127	1			
010	RIVET, POP, 4.8 MM DIA., 13 MM LG., ALUMINIUM	Z0549/73AS65 Z5394/HYL9945	20			

* GRADE OF REPAIR (LIGHT MEDIUM OR HEAVY)

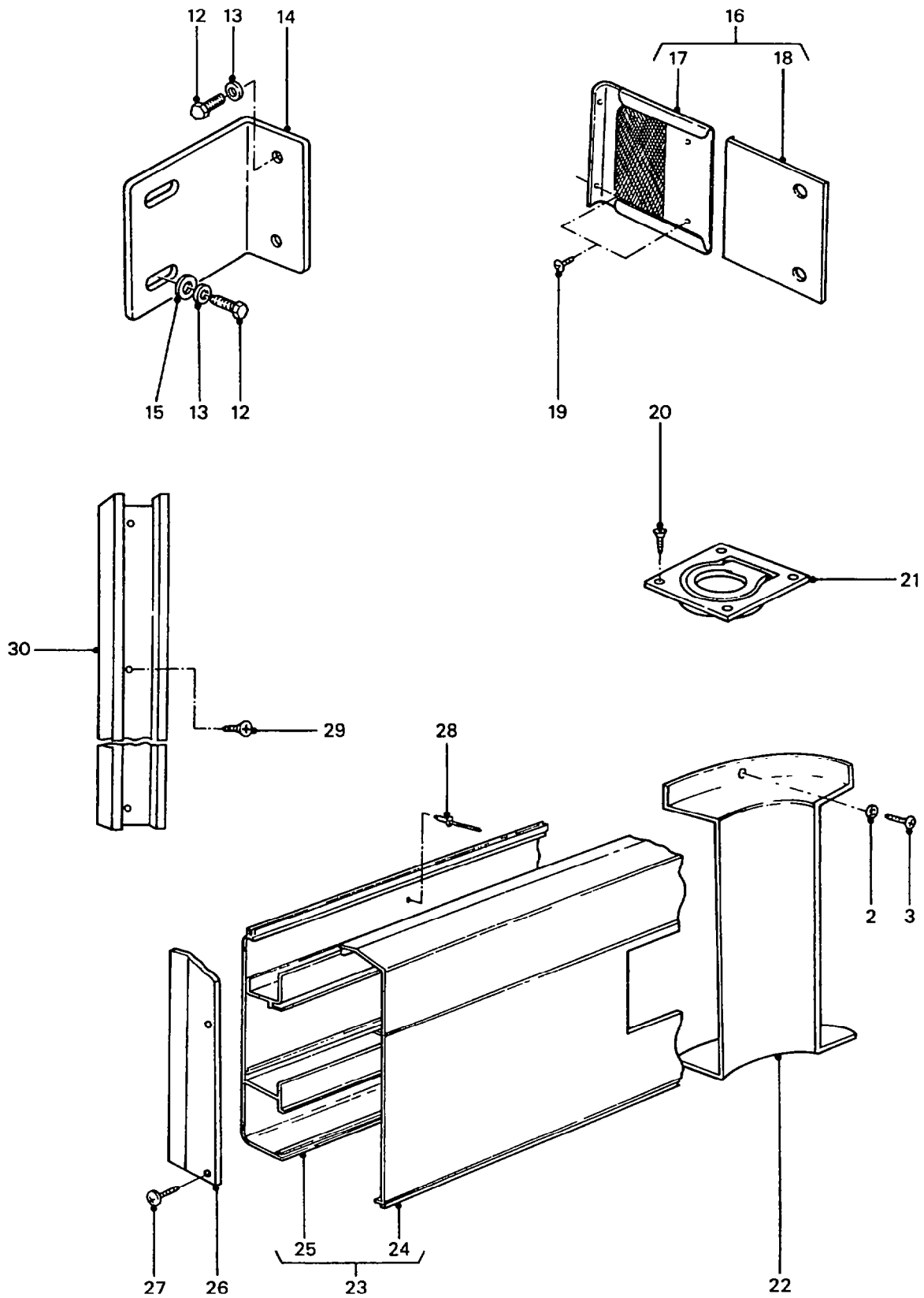


INTERIOR FIXTURES - MODULE

GROUP WF
TITLE INTERIOR FIXTURES - MODULE

ITEM NO	DESIGNATION	NSN MANUFACTURER CODE/PART NO SUPPLIER CODE/PART NO	NO OFF	U O	E X	L* M* H*
011	PLATE, PROTECTION, R.H. WALL, REAR, 430 MM BY 50 MM, 20 GAUGE, ZINC ANNEALED.	Z4976/720170 Z5394/HYM128	1			
012	SCREW, MACHINE, ISO M, 6 G, STEEL, HEX. HD., ZINC PLATED, 8 MM - 1.25 MM PITCH, 30 MM LG. O/A	U1030/SH108301 Z5394/SH108031	8			
013	WASHER, LOCK, STEEL, SINGLE COIL, SQUARE SECTION, 8 MM BOLT SIZE	Z5394/WM108001 Z5394/WM108001	8			
014	BRACKET, REAR PANEL RETENTION, 75 MM BY 50 MM, 6 MM THK., STEEL.	Z4976/720178 Z5394/HYM129	2			
015	WASHER, FLAT, NORMAL O.D., NORMAL THK., 8 MM I.D., ZINC PLATED.	U1030/WA108001 Z5394/GHF301	4			
016	VENT ASSEMBLY, R.H. PUBLICATION LOCKER. (INCLUDES WF 017 AND WF 018)	Z4976/720213 Z5394/HYM130	1			
017	SCREEN, VENT, 100 MM BY 100 MM, 0.9 MM THK., STAINLESS STEEL (USE WF 016)	/NIL /NIL	1			
018	SHUTTER VENT, 100 MM BY 110 MM, 0.9 MM THK., STAINLESS STEEL (ALSO PART OF WF 016)	Z4976/720214 Z5394/HYM131	1			
019	SCREW, RECESSED PAN HD., SELF TAPPING, POINTED, 8 GAUGE, 1/2 IN., LG., ZINC PLATED.	Z5394/AB608041 Z5394/AB608041	4			
020	SCREW, RECESSED COUNTERSUNK HD., 6 MM COARSE THD., 40 MM LG., ZINC PLATED.	Z5394/SF106401 Z5394/SF106401	24			
021	TIE-DOWN, WALKWAY.	Z5394/HYM132 Z5394/HYM132	6			
022	MOULDING, COVER, ELECTRICAL WIRING, L.H. FRONT CORNER, FIBREGLASS.	Z4976/720220 Z5394/HYM133	1			

* GRADE OF REPAIR (LIGHT MEDIUM OR HEAVY)

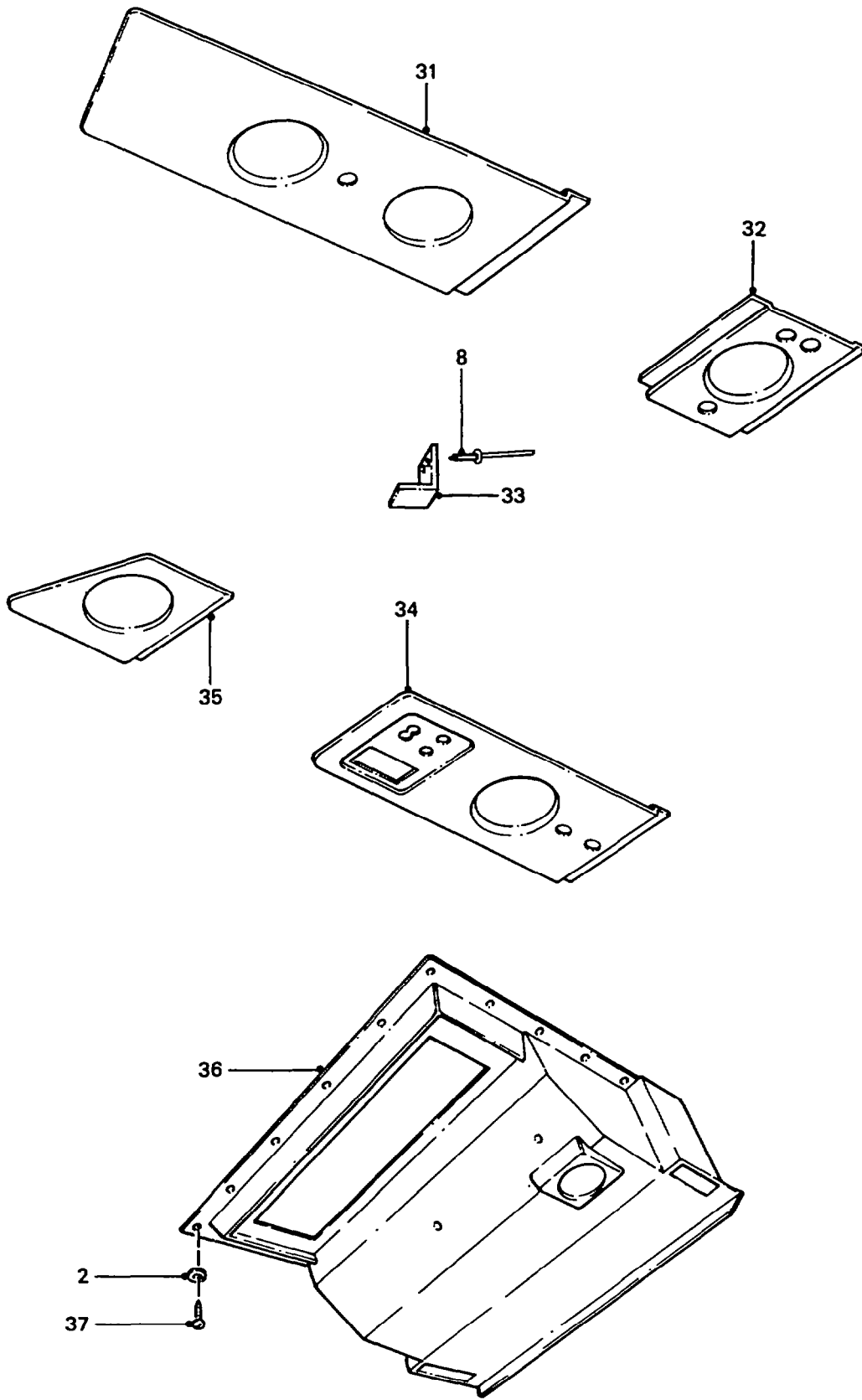


INTERIOR FIXTURES - MODULE

GROUP WF
TITLE INTERIOR FIXTURES - MODULE

ITEM NO	DESIGNATION	NSN MANUFACTURER CODE/PART NO SUPPLIER CODE/PART NO	NO OFF	U O	E X	L* M*
			I	P	H*	
023	DUCTING ASSEMBLY, SKIRTEC, SIDE WALL, 2080 MM LG., PLASTIC. (INCLUDES WF 024 AND WF 025, MANUFACTURED FROM WF 906)	Z4976/720237 Z5394/HYM135	1			
903	DUCTING ASSEMBLY, SKIRTEC, FRONT WALL, 970 MM LG., PLASTIC. (INCLUDES WF 024 AND WF 025, MANUFACTURED FROM WF 906)	Z4976/720236 Z5394/HYM134	1			
904	DUCTING ASSEMBLY, SKIRTEC LHR SIDE WALL, 525 MM LG., PLASTIC (INCLUDES WF 024 AND WF 025, MANUFACTURED FROM WF 906)	Z4976/720347 Z4976/720347	1			
024	COVER, DUCTING, SKIRTEC, 3 CHANNEL, PLASTIC. (USE WF 023 OR WF 903)	/NIL /NIL	1			
025	BASE, DUCTING, SKIRTEC, 3 CHANNEL PLASTIC. (USE WF 023 OR WF 903)	/NIL /NIL	1			
026	PLATE, END, ELECT. WIRING DUCT, L.H. WALL, PLASTIC. (MANUFACTURED FROM WF 906)	Z4976/720219 Z5394/HYM136	1			
027	SCREW, RECESSED PAN HD., SELF TAPPING, POINTED, 4 GAUGE, 3/8 IN. LG., ZINC PLATED.	Z5394/AB604031 Z5394/AB604031	2			
028	RIVET, SKIRTEC DUCTING TO WALL, POP, 4.8 MM DIA., 19 MM LG., ALUMINIUM.	Z0549/73AS68 Z5394/HYM2	16			
029	SCREW, UNISTRUT TRACK TO MODULE WALL, RECESSED COUNTERSUNK HD., 8 GAUGE, 1-1/4 IN. LG., ZINC PLATED.	Z5394/AC608101 Z5394/AC608101	24			
030	TRACK, UNISTRUT, L.H. WALL, 265 MM LG., STEEL. (MANUFACTURED FROM WF 907)	Z4976/720013 Z5394/HYM137	3			
905	TRACK, UNISTRUT, R.H. WALL, 1080 MM LG., STEEL. (MANUFACTURED FROM WF 907)	Z4976/720012 Z5394/HYM138	3			
031	PANEL, MOUNTING, CEILING LIGHTS, R.H., FIBREGLOSS.	Z4976/720137 Z5394/HYM139	1			

* GRADE OF REPAIR (LIGHT MEDIUM OR HEAVY)

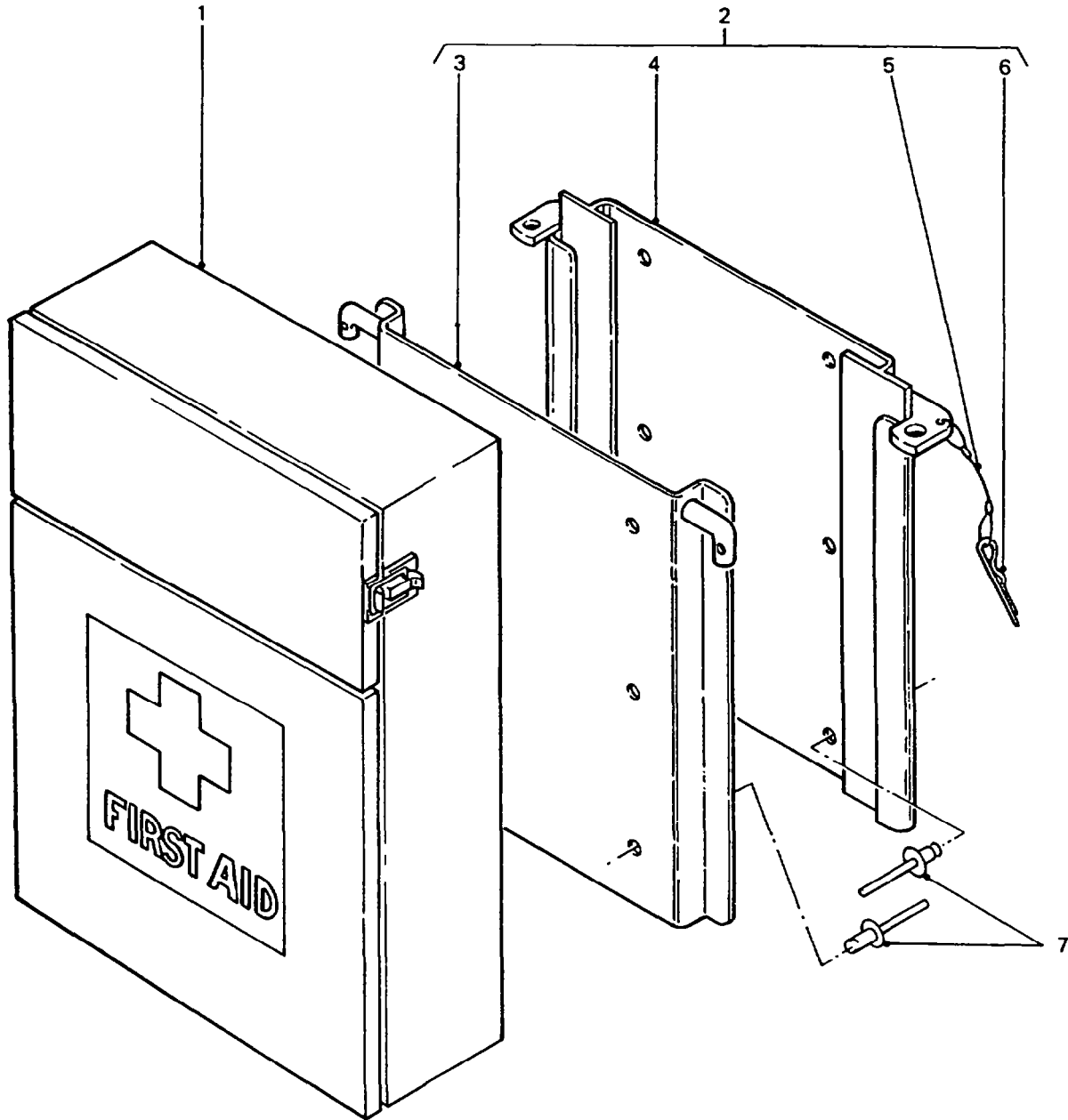


INTERIOR FIXTURES - MODULE

GROUP WF
TITLE INTERIOR FIXTURES - MODULE

ITEM NO	DESIGNATION	NSN MANUFACTURER CODE/PART NO SUPPLIER CODE/PART NO	NO OFF	U	E	L*
				O	X	M*
				I	P	H*
032	PANEL, MOUNTING, CEILING LIGHT AND SWITCHES, L.H., FIBREGLASS.	Z4976/720136 Z5394/HYM140	1			
033	BRACKET, CEILING MOUNTING PANELS, 20 MM BY 20 MM BY 10 MM, 0.9 THK., ZINC ANNEALED.	Z4976/720138 Z5394/HYM141	16			
034	PANEL, MOUNTING, CEILING LIGHT AND SWITCHES, R.H. FIBREGLASS.	Z4976/720135 Z5394/HYM142	1			
035	PANEL, MOUNTING, CEILING LIGHT, L.H., FIBREGLASS.	Z4976/720134 Z5394/HYM143	1			
036	COVER, AIR CONDENSOR TUB, INSIDE, FIBREGLASS MOULDING.	Z4976/720225 Z5394/HYM144	1			
037	SCREW, RECESSED RAISED COUNTERSUNK HD., SELF TAPPING, POINTED, 8 GAUGE, 5/8 IN. LG., ZINC PLATED.	Z5394/AD608051 Z5394/AD608051	14			
906	DUCTING, SKIRTEC, 3 CHANNEL, 2.4 M BULK LG., PLASTIC, COMPLETE. (ORDER BY DESCRIPTION, USE AS REQUIRED)	ZA231/NIL ZA231/NIL	1			
907	TRACK, UNISTRUT, 6 M BULK LG., STEEL. (USE AS REQUIRED)	ZA231/P3300G ZA231/P3300G	1			

* GRADE OF REPAIR (LIGHT MEDIUM OR HEAVY)

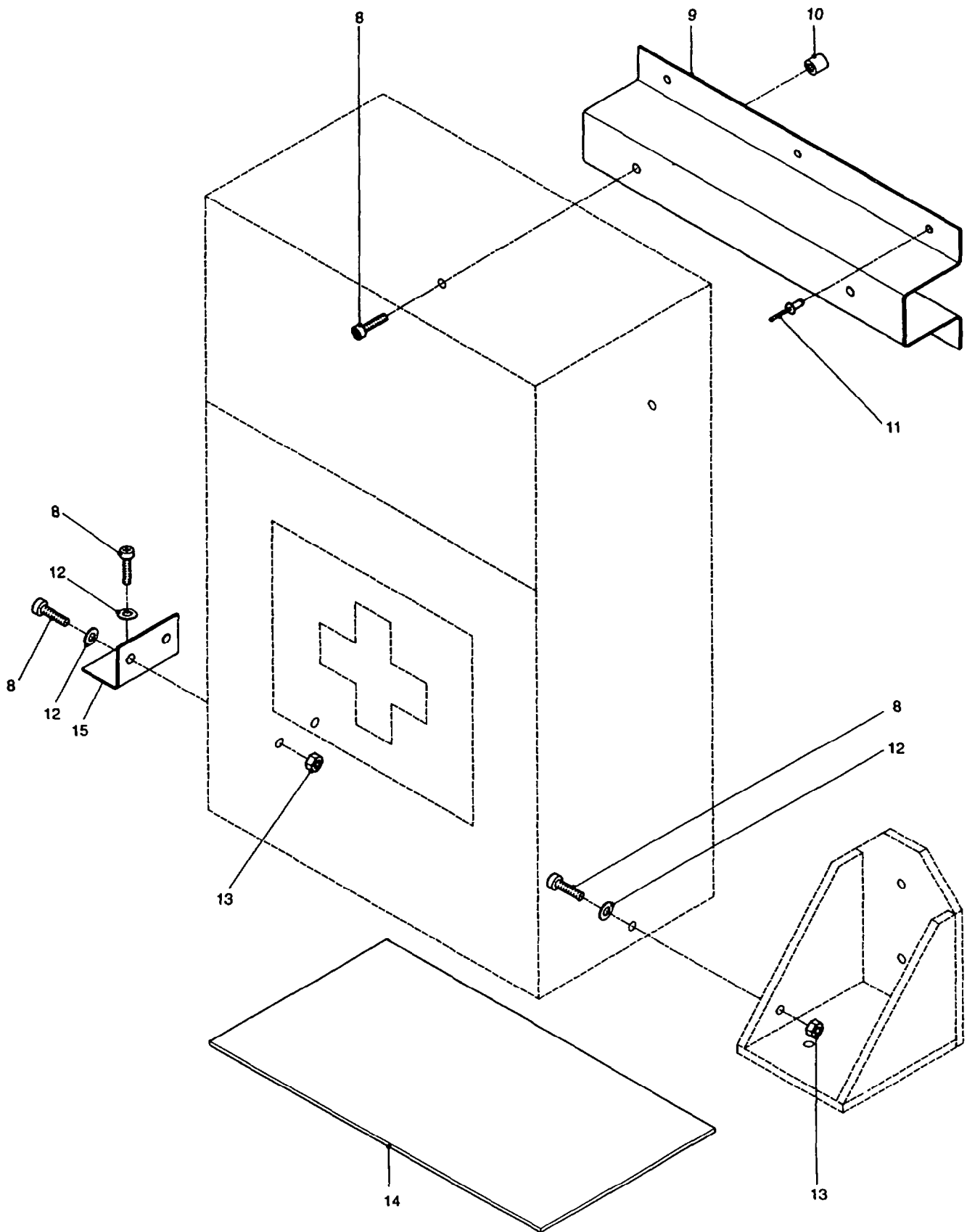


**FIRST AID LOCKER AND MOUNTINGS
(DOOR MOUNTED)**

GROUP WFA
TITLE FIRST AID LOCKER AND MOUNTINGS

ITEM NO	DESIGNATION	NSN MANUFACTURER CODE/PART NO SUPPLIER CODE/PART NO	NO	U	E	L*
			OFF	O	X	M*
			I	P	H	
001	FIRST AID KIT, GENERAL PURPOSE WALL MOUNTED	6545 66-098-5018 83353/S114 ZX722/BR1232	1	KT	A	LM
002	MOUNTING BRACKET ASSEMBLY, FIRST AID LOCKER, MODULE. (INCLUDES WFA 003 TO WFA 006)	ZC691/720183 ZC691/720183	1			
003	BRACKET, MOUNTING, FIRST AID LOCKER, 300 MM LG., 250 MM W., 1.5 MM THK., STAINLESS STEEL. (ALSO PART OF WFA 002)	ZC691/720185 Z5394/HYL9984	1			
004	BRACKET, MOUNTING, DOOR, FIRST AID LOCKER, 300 MM LG., 250 MM W., 1.5 MM THK., STAINLESS STEEL. (ALSO PART OF WFA 002)	ZC691/720184 Z5394/HYL9985	1			
005	WIRE, SECURING, FIRST AID LOCKER BRACKET RETAINING PIN, 300 MM LG. (ALSO PART OF WFA 002)	ZC691/720207 ZC691/720207	2			
006	CLIP, 'R', BRACKET RETAINING. (ALSO PART OF WFA 002)	Z5394/HYL9986 Z5394/HYL9986	2			
007	RIVET, POP, 4.8 MM DIA., 13 MM LG., ALUMINIUM	Z0549/73AS65 Z5394/HYL9176	12			
008	SCREW, PAN HD., PHILLIPS, 6 MM COARSE THD., 20 MM LG., ZINC PLATED, STEEL.	Z4976/158890 Z4976/158890	6			
009	BRACKET, FIRST AID LOCKER, MODULE, UPPER, 270 MM LG., 80 MM W., 1.6 MM THK., STAINLESS STEEL.	Z4976/720325 Z4976/720325	1			
010	NUTSERT, 6 MM DIA., COARSE THD., STEEL, ZINC PLATED.	Z1742/09658-00619 Z1742/09658-00619	2			
011	RIVET, POP, 4.8 MM DIA., 13 MM LG., ALUMINIUM	Z0549/73AS65 Z5394/HYL9945	6			
012	WASHER, FLAT, 6 MM I.D., 12.5 MM O.D., 1.0 MM THK., STEEL, ZINC PLATED.	ZOF88/05348505 ZOF88/05348505	4			

* GRADE OF REPAIR (LIGHT MEDIUM OR HEAVY)

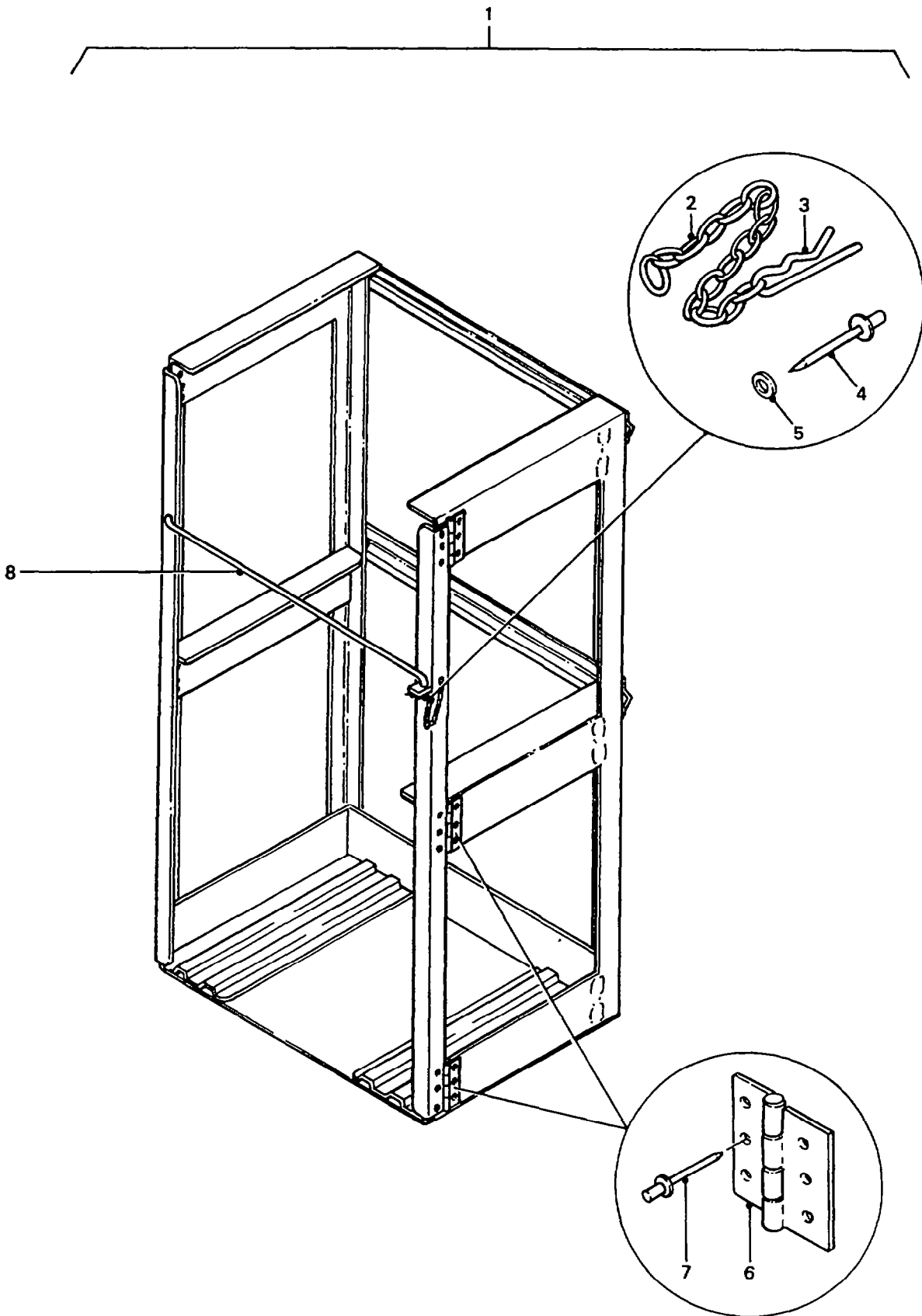


**FIRST AID LOCKER AND MOUNTINGS
(WALL MOUNTED)**

GROUP WFA
TITLE FIRST AID LOCKER AND MOUNTINGS

ITEM NO.	DESIGNATION	NSN MANUFACTURER CODE/PART NO. SUPPLIER CODE/PART NO	NO	U	E	L*
			OFF	O	X	M*
				I	P	H*
013	NUT, NYLON INSERT, HEX., 6 MM COARSE THD., STEEL MEDIUM TENSILE, ZINC PLATED.	ZOF88/02544409 ZOF88/02544409	3			
014	PAD, RUBBER, 280 MM LG., 175 MM W., 3 MM THK. (ALSO MANUFACTURE FROM WFA 901)	Z4976/720327 Z4976/720327	1			
015	BRACKET, MOUNTING, FIRST AID LOCKER, LOWER, RIGHT ANGLED, 31 MM LG., 32 MM H., 50 MM W., 1.6 MM THK., STAINLESS STEEL.	Z4976/720326 Z4976/720326	1			
901	RUBBER, RIBBED, AIR STEP, 15 M BULK LG., 1.2 M W., 3 MM THK., BLACK. (USE AS REQUIRED)	Z1074/456450 Z1074/456450	1			

* GRADE OF REPAIR (LIGHT MEDIUM OR HEAVY)

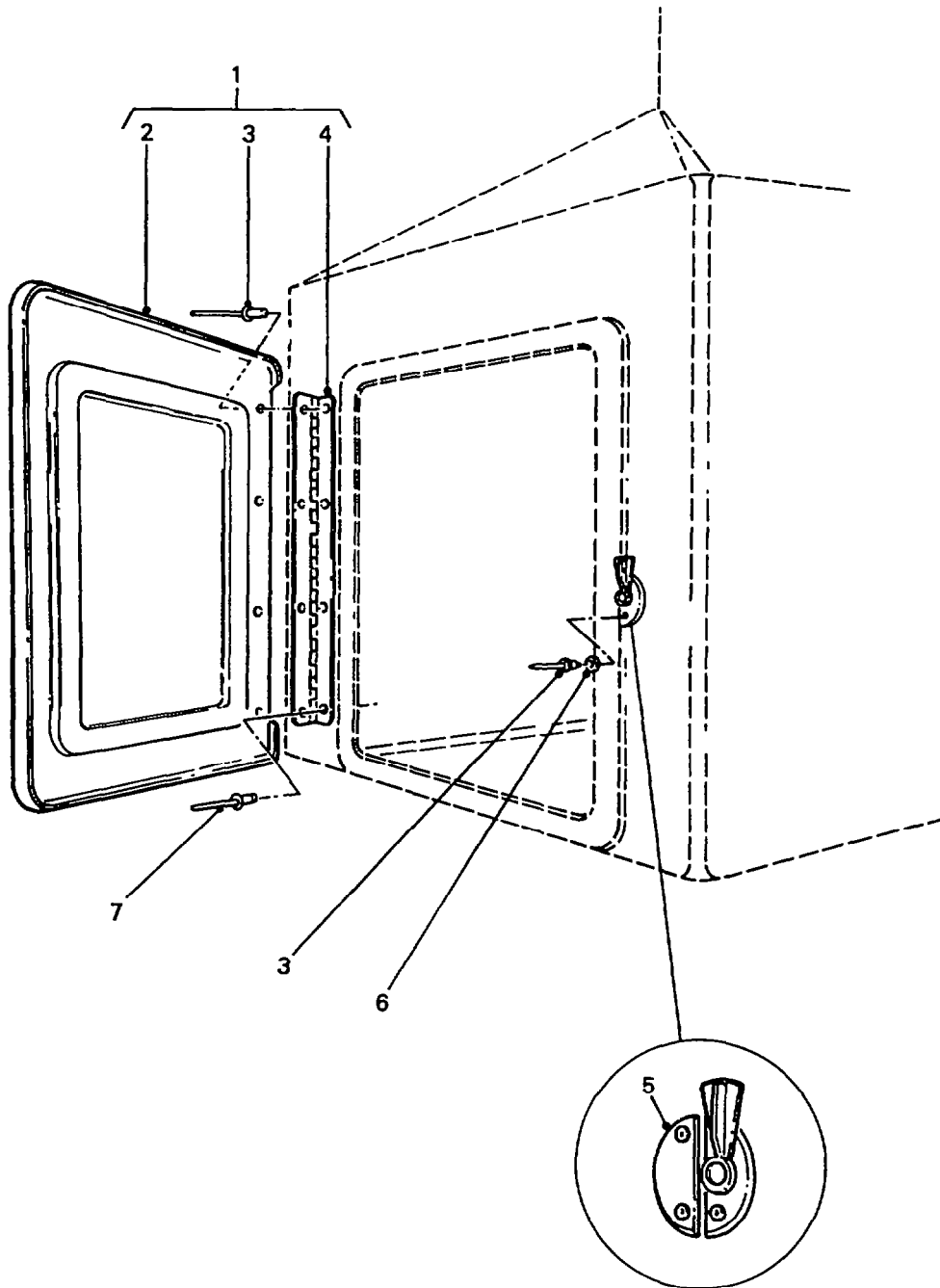


CES STOWAGE FRAME ASSEMBLY

GROUP WFB
TITLE CES STOWAGE FRAME ASSEMBLY

ITEM NO	DESIGNATION	NSN MANUFACTURER CODE/PART NO SUPPLIER CODE/PART NO	NO OFF	U	E	L*
				O	X	M*
				I	P	H*
001	FRAME ASSEMBLY, CES STOWAGE. (INCLUDES WFB 002 TO WFB 008)	ZC691/720036 Z5394/HYL9958	1			
002	CHAIN, 90 MM LG., OVAL LINKED. (MANUFACTURE FROM WFB 901)	/NIL /NIL	1			
003	CLIP, 'R', 25 MM LG., 3 MM THK.	Z5394/HYL9959 Z5394/HYL9959	1			
004	RIVET, BLIND, 1/2 IN. BY 3/16 IN. ALUMINIUM.	Z0549/73AS65 Z5394/HYL9945	1			
005	WASHER, 3/16 IN. I.D., NATURAL FINISH.	Z5394/WA60030 Z5394/WA60030	1			
006	HINGE, 70 MM LG., 50 MM W., 16 MM THK., MILD STEEL.	ZE664/8838 X 70 Z5394/HYL9960	6			
007	RIVET, SOLID, MUSHROOM HD., 3/16 IN. DIA., 1/4 IN. LG.	Z5394/RM612040 Z5394/RM612040	36			
008	BAR, CROSS, 10 MM DIA., 555 MM LG., ROUND MILD STEEL	ZC691/720037 Z5394/HYL9961	1			
901	CHAIN, OVAL LINKED, CHROME PLATED, 10 M BULK LG. (USED TO MANUFACTURE WFB 002)	Z0549/160 Z0549/160	1			

* GRADE OF REPAIR (LIGHT MEDIUM OR HEAVY)



**PUBLICATION STOWAGE LOCKER
AND FITTINGS**

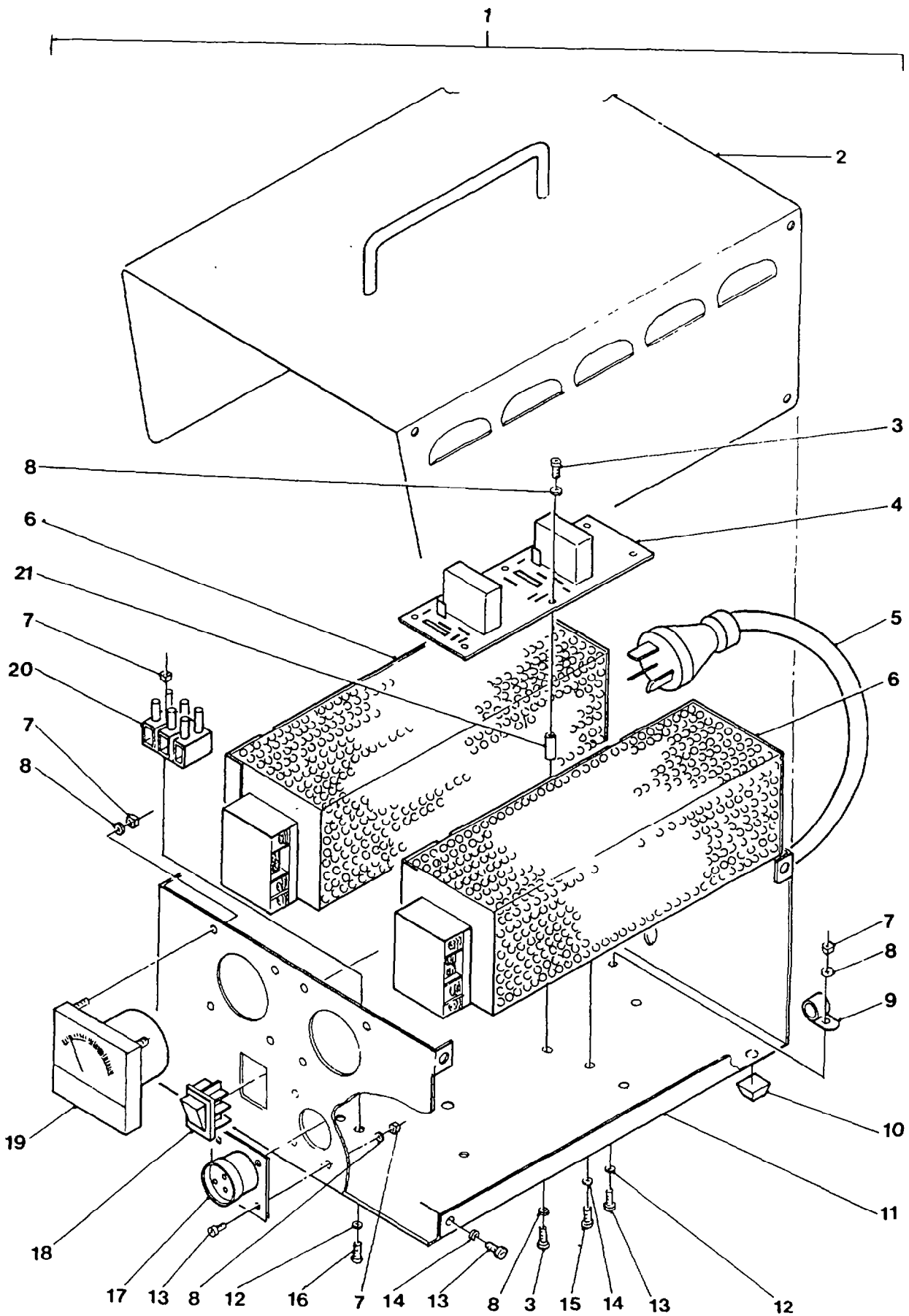
GROUP WFC

TITLE PUBLICATION STOWAGE LOCKER AND FITTINGS

ITEM NO	DESIGNATION	NSN MANUFACTURER CODE/PART NO SUPPLIER CODE/PART NO	NO OFF	U O	E X	L* M* H*
001	DOOR ASSEMBLY, LOCKER, PUBLICATION STOWAGE, LEFT HAND (INCLUDES WFC 002 TO WFC 004)	Z4976/720025 Z5394/HYM257	1			
901	DOOR ASSEMBLY, LOCKER, PUBLICATION STOWAGE, RIGHT HAND. (INCLUDES WFC 902, WFC 003 AND WFC 004)	Z4976/720026 Z5394/HYM258	1			
002	DOOR, LOCKER, PUBLICATION STOWAGE, LEFT HAND. (USE WFC 001)	/NIL /NIL	1			
902	DOOR, LOCKER, PUBLICATION STOWAGE, RIGHT HAND. (USE WFC 901)	/NIL /NIL	1			
003	RIVET, POP, 1/8 IN. DIA., 1/2 IN. LG. (ALSO PART OF WFC 001 AND WFC 901)	Z0549/73AS46 Z5394/HYL9927	8			
004	HINGE, PIANO, 285 MM LG., 50 MM OPEN W., STAINLESS STEEL (ALSO PART OF WFC 001 AND WFC 901, MANUFACTURED FROM WFC 904)	ZC691/720029 Z5394/HYM259	2			
903	PLATE, BACKING, HINGE TO DOOR AND HINGE TO BODY, 285 MM LG., 20 MM W., 2 MM THK.	ZC691/720030 Z5394/HYM260	2			
005	FASTENER, GRAVELLY CHROME PLATED DIE CAST	5340 66-128-6061 Z2110/0662/001 Z5394/HYM261	2	EA	X	LMH
006	WASHER, NORMAL O.D., NORMAL THICKNESS, 1/8 IN. I.D., ZINC PLATED.	ZE664/YOUWBSZ183820 Z5394/HYM301	4			
007	RIVET, COUNTERSUNK, 1/8 IN. DIA., 1/2 IN. LG., ALUMINIUM.	ZE664/CHE721S48S Z5394/HYM302	4			
904	HINGE, PIANO, CONTINUOUS, 2400 MM LG., 50 MM W., 18 GAUGE, STAINLESS STEEL (ORDER BY DESCRIPTION, USE AS REQUIRED)	/NIL /NIL	1			

ISSUE NO: 1 REPAIR PARTS SCALE: 02222 PAGE NO: 86

* GRADE OF REPAIR (LIGHT MEDIUM OR HEAVY)



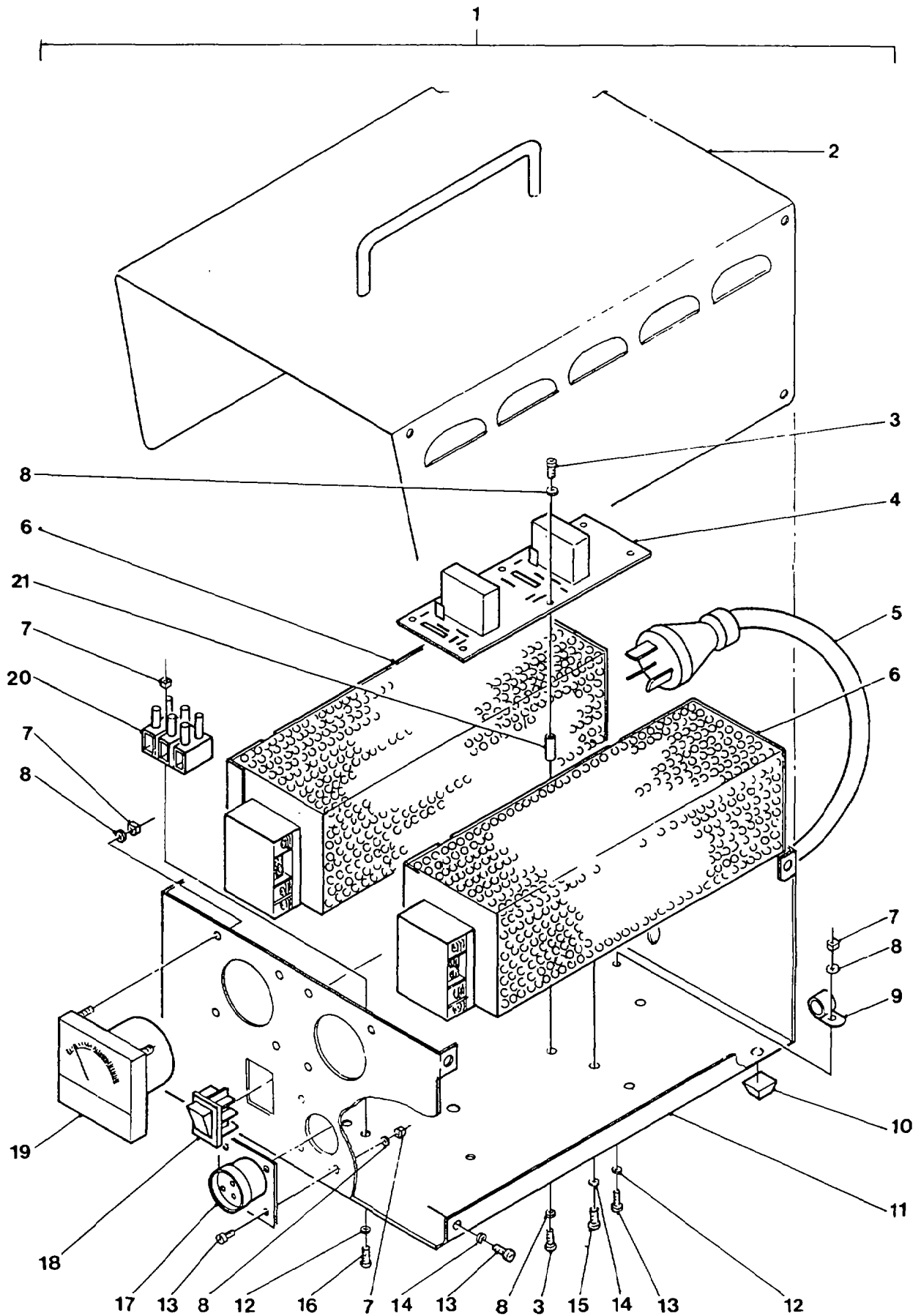
BATTERY CHARGER

GROUP WFD
TITLE BATTERY CHARGER

ITEM NO	DESIGNATION	NSN MANUFACTURER CODE/PART NO SUPPLIER CODE/PART NO	NO OFF	U O	E X	L* M* H*
001	BATTERY CHARGER (INCLUDES WFD 002 TO WFD 021)	Z4673/2402-555-001 Z4673/2402-555-001	1			
002	COVER, CASE, BATTERY CHARGER (USE WFD 011)	/NIL /NIL	1			
003	SCREW, MACHINE ISO M, STAINLESS STEEL, PAN HD, SLOT DRIVE, 3MM BY 6MM LG	5305 66-093-2531 N1130/560-019065 Z2813/DE580170130-102	12	EA	X	MH
004	CIRCUIT CARD ASSEMBLY REGULATOR, 132 MM LG, 45 MM W, 2 MM THK CIRCUIT CARD ASSEMBLY REGULATOR (REFER GROUP WFDA)	5998 66-133-7116 Z4673/2402-555-004 Z4673/2402-555-004	1	EA	A	MH
005	CABLE, POWER, ELECTRICAL 3 CONDUCTORS, 32/0.20 MMPVC INSULATED, BLUE BROWN GREEN, PVC SHEATHED, GREY, 100 M ROLL	6145 66-100-8316 Z0544/AS3191 Z0544/AS3191	3	MR	X	MH
901	CONNECTOR, PLUG, ELECTRICAL 3 CONTACTS, FLAT, PVC, 240 VAC, 10 AMP (USED WITH WFD 005)	5935 66-089-8012 Z0362/439DM Z0362/439DM	1	EA	X	MH
006	POWER SUPPLY 15 VDC, 150 W	6130 66-133-7115 83486/P150-15-N ZON34/P-150-15-N	2	EA	A	MH
007	NUT, PLAIN, HEXAGON S, PASSIVATED, 3.0 MM, 5.5 MM A/F, 2.4 MM THK	5310 66-120-5207 Z2532/313-M006-040 H0002/WT647-09	15	EA	X	MH
008	WASHER, FLAT RD, STEEL, 3 MM BOLT SIZE, 5 MM OD, 0.5 MM THK	5310 99-122-8062 K7766/BS4320 Z2813/DE580170130-262	25	EA	X	MH
009	CLAMP, CABLE, BLACK	/NIL /NIL	1			
010	FEET, RUBBER, SELF ADHESIVE,	Z3770/H-1745 Z3770/H-1745	4			
011	CASE, BATTERY CHARGER. (INCLUDES WFD 002)	Z4673/2042-555-002 Z4673/2042-555-002	1			

ISSUE NO: 1 REPAIR PARTS SCALE : 02222 PAGE NO: 87

* GRADE OF REPAIR (LIGHT MEDIUM OR HEAVY)



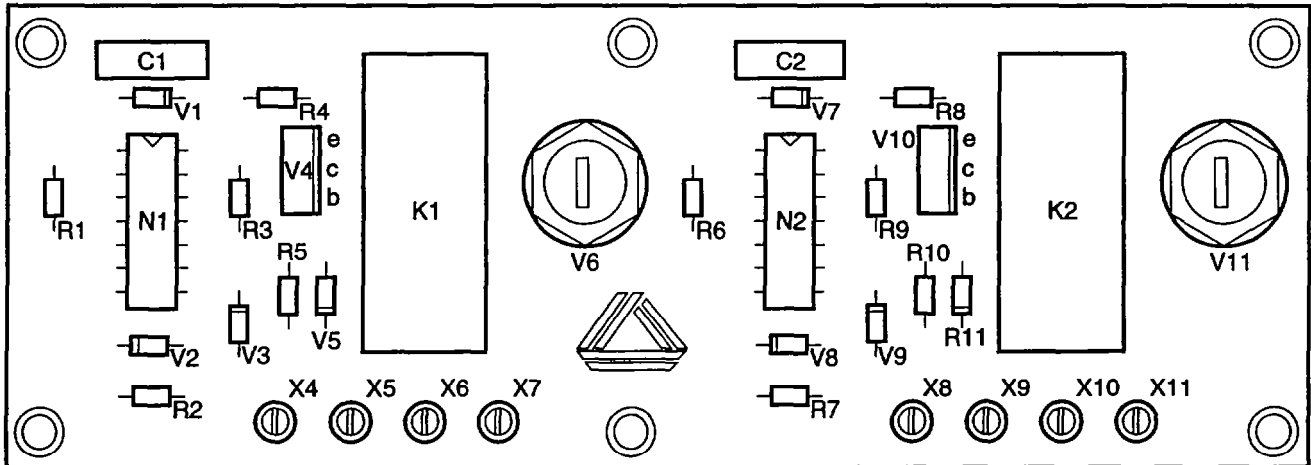
BATTERY CHARGER

GROUP WFD
 TITLE BATTERY CHARGER

ITEM NO	DESIGNATION	NSN MANUFACTURER CODE/PART NO SUPPLIER CODE/PART NO	NO OFF	U O	E X	L* M* H*
012	WASHER, FLAT RD, STEEL, 3 MM BOLT SIZE, 5 MM OD, 0.5 MM THK	5310 99-122-8062 Z2813/DE580170130-262 Z2813/DE580170130-262	3	EA	X	MH
013	SCREW, MACHINE ISO METRIC, 3.0 MM DIA, 0.50 MM PITCH 10.0 MM LG, STEEL, PANHD, SLOT DRIVE, CAD PLATED.	5305 99-135-0689 K0405/406803100 K0405/406803100	7	EA	X	MH
014	WASHER, LOCK SPRING, STEEL, SINGLE TURN, 4 MM	5310 66-023-5828 D2785/00-34-126 D2785/00-34-126	14	EA	X	MH
015	SCREW, MACHINE ISO M, STAINLESS STEEL, PAN HD, BLACK FINISH, 4MM BY 8MM LG	5305 66-093-2465 N1130/560-019105 N1130/560-019105	14	EA	X	MH
016	SCREW, MACHINE ISO M, STAINLESS STEEL, PAN HD, 3MM BY 20MM LG	5305 66-093-2477 N1130/560-017478 N1130/560-017478	2	EA	X	MH
017	CONNECTOR, RECEPTACLE ELECTRICAL.	ZC575/MS3102A-20-19S ZC575/MS3102A-20-19S	1			
018	SWITCH, ILLUMINATED, 240 V 10 AMP.	Z3770/S-1506 Z3770/S-1506	1			
019	AMMETER 0-20 AMP	Z3770/Q-2035 Z3770/Q-2035	2			
020	TERMINAL BOARD 12 ROW, 500 V, 15 A	5940 66-128-9899 Z0362/593/15 Z0362/593/15	1	EA	X	MH
021	SPACER, INSULATED, M3, 15 MM LONG.	Z3770/H-1862 Z3770/H-1862	6			

* GRADE OF REPAIR (LIGHT MEDIUM OR HEAVY)

1



CIRC. REF.	ITEM NO.	CIRC. REF.	ITEM NO.
C1	12	R9	10
C2	12	R10	9
K1	13	V1	6
K2	13	V2	8
N1	2	V3	7
N2	2	V4	3
R1	11	V5	5
R2	9	V6	4
R3	10	V7	6
R4	11	V8	8
R5	9	V9	7
R6	11	V10	3
R7	9	V11	4
R8	11	X4-X11	14

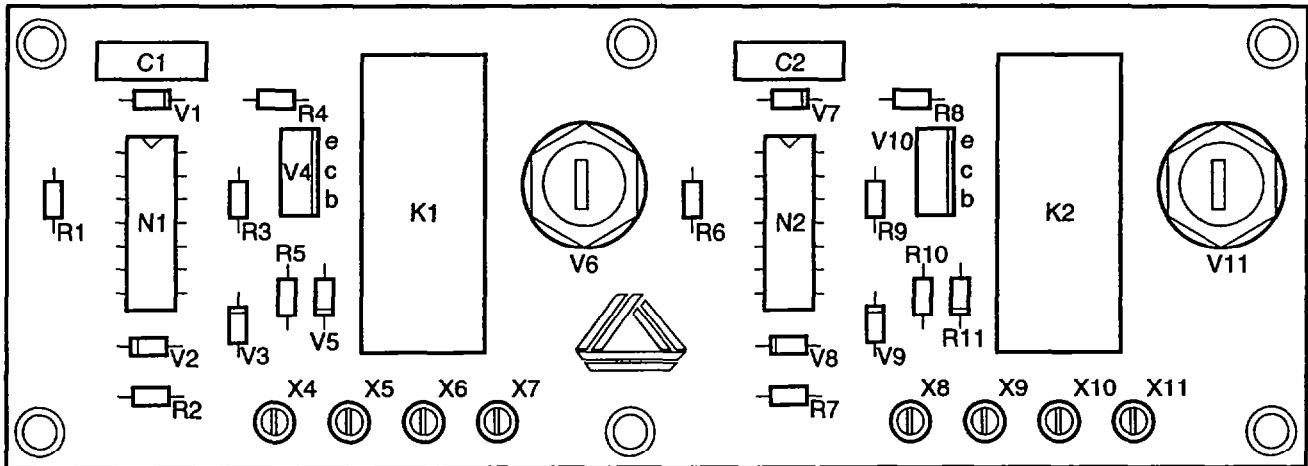
**CIRCUIT CARD ASSEMBLY,
REGULATOR BOARD**

GROUP WFDA
TITLE CIRCUIT CARD ASSEMBLY, REGULATOR BOARD

ITEM NO	DESIGNATION	NSN MANUFACTURER CODE/PART NO SUPPLIER CODE/PART NO	NO OFF	U	E	L*
				O	X	M*
				I	P	H*
001	CIRCUIT CARD ASSEMBLY, REGULATOR BOARD, BTY CHARGER (REFER WFD 004)	Z4673/2402-555-004 Z4673/2402-555-004	1			
002	MICROCIRCUIT, LINEAR LM119D883B COMPARATOR, VOLTAGE, DUAL 2 INPUT, GOLD ORSOLDER OR TIN TERMINALS , CERAMIC DIL PACKAGE	5962 01-009-5492 27014/LM119J/883B 27014/LM119J/883C	2	EA	X	H
003	TRANSISTOR BD237	5961 66-091-4459 H0002/BD237 H0002/BD237	2	EA	X	H
004	DIODE, VSK3030S (USE NIIN 17-053-3995)	/NIL /NIL	2			
005	SEMICONDUCTOR DEVICE, DIODE 1N4148	5961 00-494-4915 81349/JANTX1N4148 81349/MILS19500-116	1	EA	X	H
006	SEMICONDUCTOR DEVICE, DIODE 1N4742	5961 00-076-1403 18876/10653121 04713/1N4742	2	EA	X	H
007	SEMICONDUCTOR DEVICE, DIODE 1N4737	5961 00-110-7858 07688/1N4737 04713/1N4737	2	EA	X	H
008	SEMICONDUCTOR DEVICE, DIODE 1N4733	5961 00-110-7841 07688/1N4733 80131/1N4733	2	EA	X	H
009	RESISTOR, FIXED, FILM 10000 OHMS, PORM 2 PCT 0.25W	5905 66-125-4312 K0630/04/1672 K0630/04/1672	4	EA	X	H
010	RESISTOR, FIXED, FILM 2200 OHMS PORM 2PCT0.25W	5905 66-125-3620 K0630/04/1656 K0630/04/1656	2	EA	X	H
011	RESISTOR, FIXED, FILM 100000 OHMS, PORM 2 PCT, 0.25W	5905 66-125-4500 K0630/04/1696 K0630/04/1696	4	EA	X	H
012	CAPACITOR, FIXED, CERAMIC DIELECTRIC 100 PF PORM 10PCT, 50V	5910 66-130-2678 Z0084/DD104 Z0084/DD104B101K50	2	EA	X	H
013	RELAY, SINGLE POLE, MINIATURE PCB 12V, 16A, RS COMPONENTS NO 346-031	ZX412/346-031 ZX412/346-031	2			

* GRADE OF REPAIR (LIGHT MEDIUM OR HEAVY)

1



CIRC. REF.	ITEM NO.	CIRC. REF.	ITEM NO.
C1	12	R9	10
C2	12	R10	9
K1	13	V1	6
K2	13	V2	8
N1	2	V3	7
N2	2	V4	3
R1	11	V5	5
R2	9	V6	4
R3	10	V7	6
R4	11	V8	8
R5	9	V9	7
R6	11	V10	3
R7	9	V11	4
R8	11	X4-X11	14

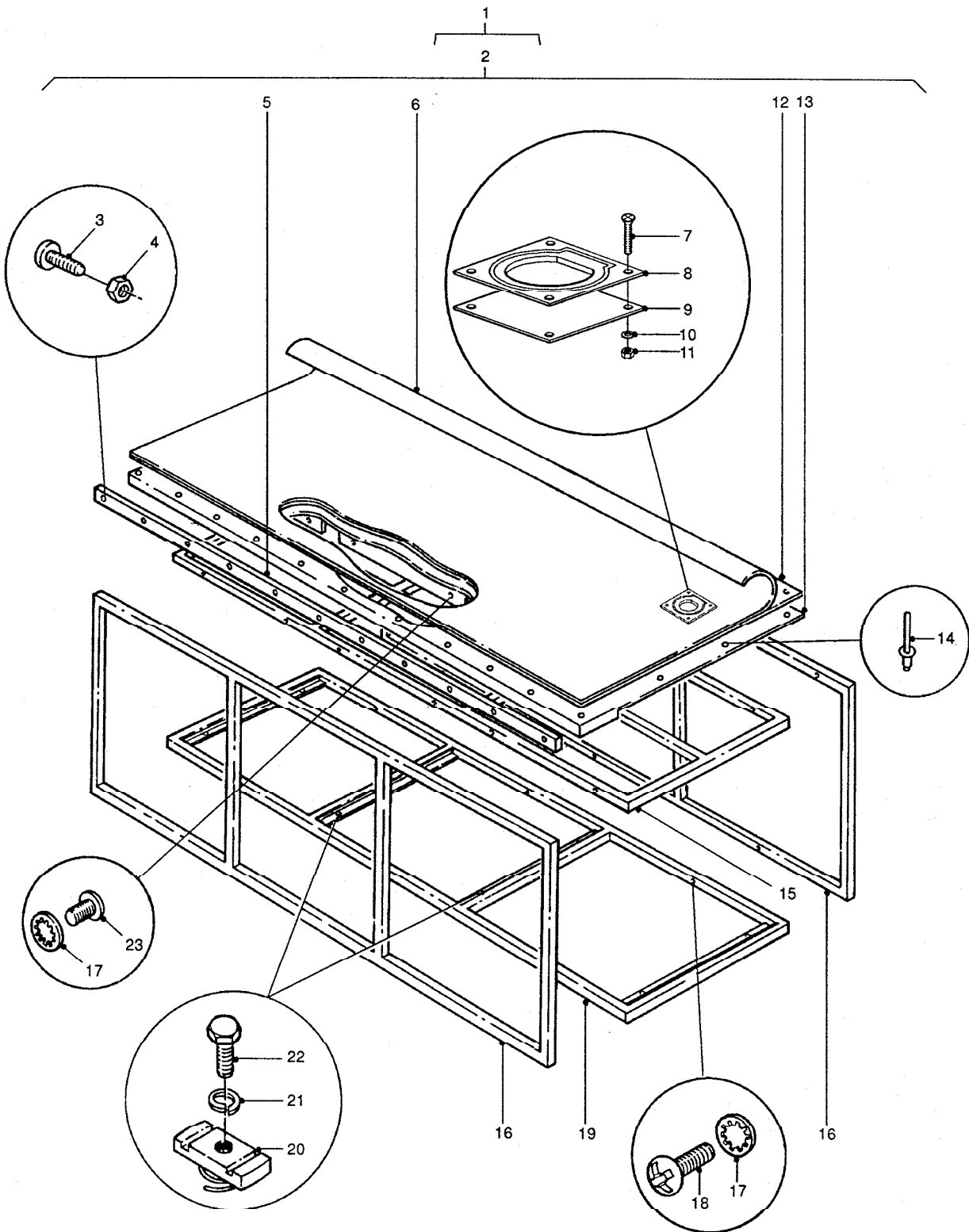
**CIRCUIT CARD ASSEMBLY,
REGULATOR BOARD**

GROUP WFDA
 TITLE CIRCUIT CARD ASSEMBLY, REGULATOR BOARD

ITEM NO	DESIGNATION	NSN MANUFACTURER CODE/PART NO SUPPLIER CODE/PART NO	NO OFF	U O I	E X P	L* M* H*
014	TERMINAL, STUD BRASS, 0.351 IN. LG., 0.156 IN. O/A DIA. , SILVER PLATED FINISH	5940 66-091-9535 U0154/L666 U0154/L666	8	E	X	H

ISSUE NO: 1 REPAIR PARTS SCALE : 02222 PAGE NO: 90

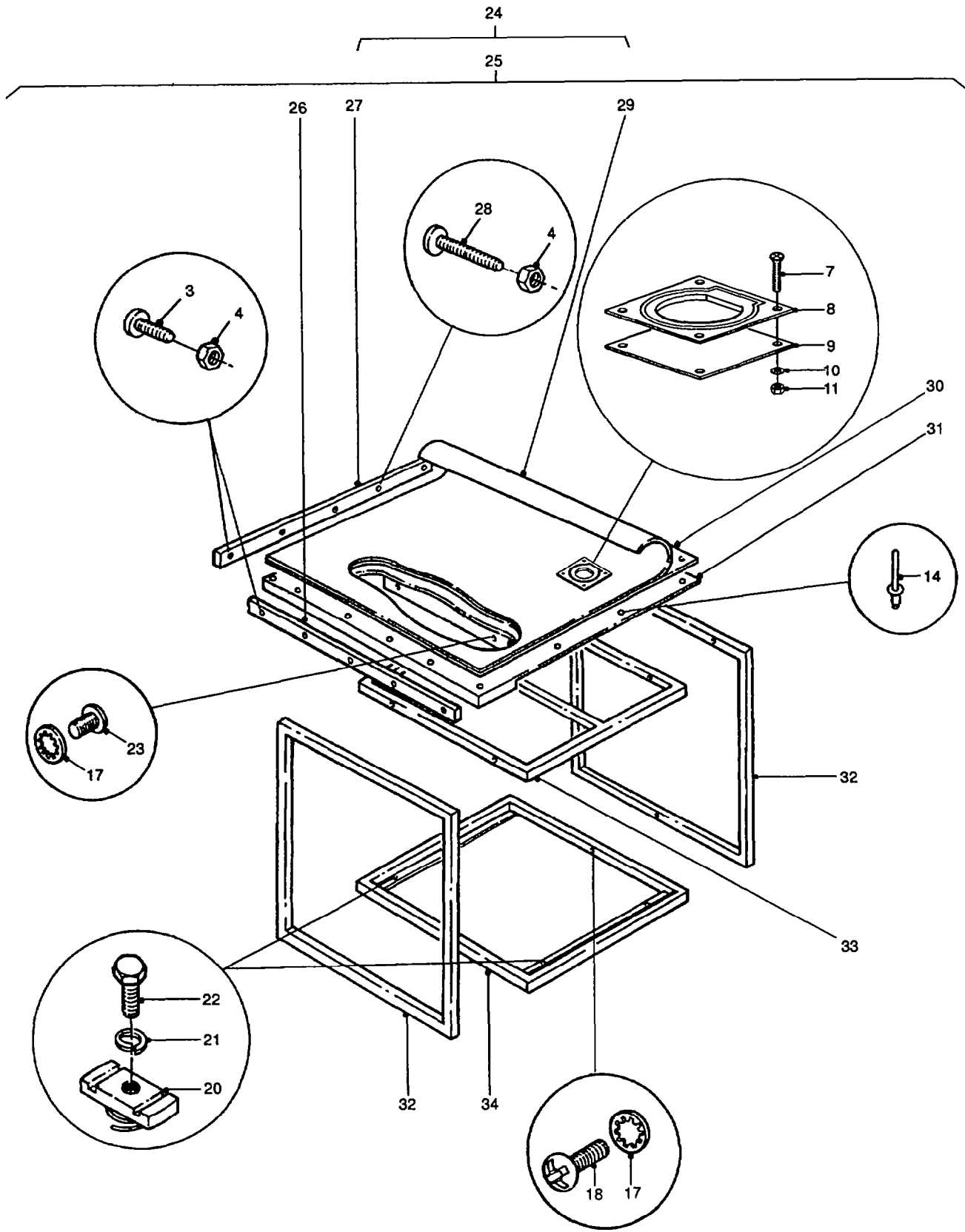
* GRADE OF REPAIR (LIGHT MEDIUM OR HEAVY)



SIDE BENCH ASSEMBLY

ITEM NO	DESIGNATION	NSN MANUFACTURER CODE/PART NO SUPPLIER CODE/PART NO	NO OFF	U O	E X	L* M* H*
001	BENCH ASSEMBLY, SIDE, COMPLETE. (INCLUDES WFE 002, WFE 015 TO WFE 019, WFE 023 AND WFE 035 TO WFE 046)	Z4976/720308 Z4976/720308	1			
002	BENCH-TOP ASSEMBLY, SIDE. (INCLUDES WFE 003 TO WFE 014)	Z4976/720307 Z4976/720307	1			
003	SCREW, MACHINE, ISO METRIC, 6G, STEEL, PAN HD., SLOT DRIVE, ZINC PLATED, 6 MM DIA., 1.0 MM PITCH, 16 MM LG.	U1030/SE106161 Z5394/SE106161	11			
004	NUT, SELF-LOCKING, HEX, 6 MM DIA.	U1030/NY106041 Z5394/NY106041	15			
005	STRIP, PROTECTION, RALLOY, 1530 MM LG., 410 MM W., 45 MM D., 20 GAUGE, STEEL (ALSO PART OF WFE 002, MANUFACTURE FROM WFE 905)	Z4976/720111 Z5394/HYL9968	1			
006	COVER, BENCH-TOP, RUBBER, 1520 MM LG., 700 MM W., 3.2 MM THK. (ALSO PART OF WFE 002, MANUFACTURE FROM WFE 908)	Z4976/720305 Z5394/HYL9964	1			
007	SCREW, COUNTERSUNK HD., PHILLIPS, 6 MM DIA., 35 MM LG., COARSE THD., STEEL, ZINC PLATED.	/NIL /NIL	128			
008	RING, LASHING, RECESSED, FLUSH RING, STEEL, ZINC PLATED. (ALSO PART OF WFE 002)	ZF194/LRM ZF194/LRM	32			
009	PLATE, BACKING, 100 MM LG., 100 MM W., 2 MM THK., GALVANISED STEEL. (ALSO PART OF WFE 002)	Z4976/720294 Z4976/720294	32			
010	WASHER, FLAT, 6 MM DIA., STEEL.	ZOF88/0503 8806 ZOF88/0503 8806	128			
011	NUT, HEX, NYLON INSERT, 6 MM DIA., COARSE THD., STEEL, ZINC PLATED.	ZOF88/0209 3604 ZOF88/0209 3604	128			

* GRADE OF REPAIR (LIGHT MEDIUM OR HEAVY)

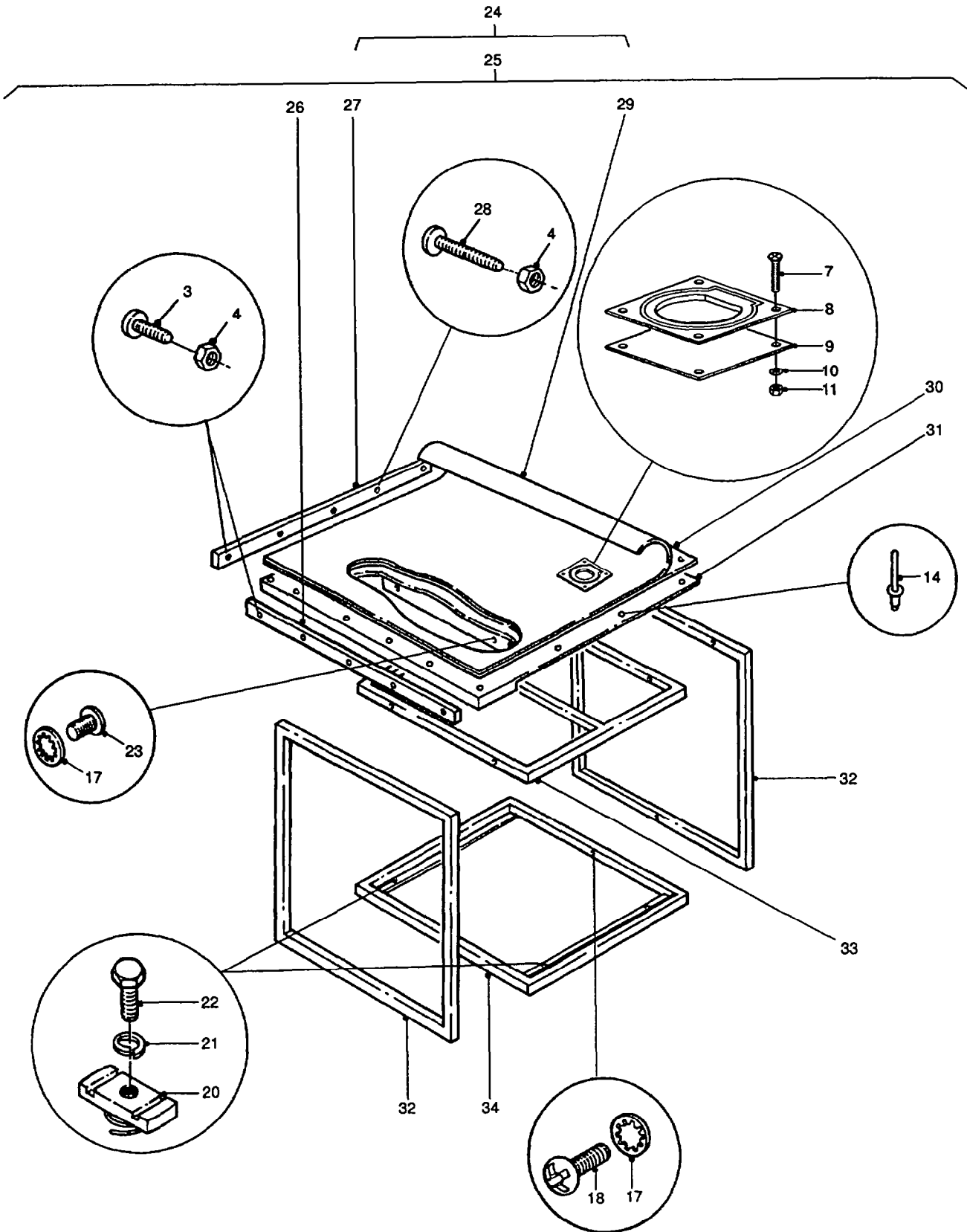


SIDE BENCH ASSEMBLY

GROUP WFE
TITLE SIDE BENCH ASSEMBLY

ITEM NO	DESIGNATION	NSN MANUFACTURER CODE/PART NO SUPPLIER CODE/PART NO	NO OFF	U	E	L*
				O	X	M*
				I	P	H*
012	PLYWOOD, BENCH-TOP. 1520 MM LG., 585 MM W., 10 MM THK. (ALSO PART OF WFE 002, MANUFACTURE FROM WFE 907)	Z4976/720306 Z4976/720306	1			
013	PLATE, BENCH-TOP, 1520 MM BY 585 MM, 3 MM THK., STEELMARK, GALVANISED SHEET. (ALSO PART OF WFE 002)	Z4976/720340 Z4976/720340	1			
014	RIVET, POP, 4.8 MM DIA., 19 MM LG., ALUMINIUM	Z0549/73AS68 Z5394/HYL9965	39			
015	FRAME, TOP, STEEL, 1520 MM BY 465 MM, 25 MM SQUARE SECTION, 1.6 MM THK.	Z4976/720054 Z4976/720054	1			
016	FRAME, SIDE, STEEL, 1520 MM BY 590 MM, 25 MM SQUARE SECTION, 1.6 MM THK.	Z4976/720052 Z4976/720052	2			
017	WASHER, LOCK, STEEL, SHAKEPROOF, ZINC COATED, INTERNAL, 6 MM.	Z5394/WF106001 Z5394/WF106001	28			
018	SCREW, RECESSED PAN HD., 6 MM COARSE THD., 30 MM LG., ZINC PLATED	Z5394/SE106301 Z5394/SE106301	12			
019	FRAME, BOTTOM, STEEL, 1520 MM BY 465 MM, 25 MM SQUARE SECTION, 1.6 MM THK., WITH WELDED 90 DEG. ANGLE, 25 MM BY 25 MM BY 5 MM THK. BY 25 MM BY 5 MM THK.	Z4976/720053 Z4976/720053	1			
020	NUT, COMPLETE WITH SPRING, 34 MM LG., 20 MM W., 8 MM THK., 10 MM COARSE THD., ALUMINIUM.	ZA231/P4008M10 Z5394/HYL9967	8			
021	WASHER, LOCK, SINGLE COIL, SQUARE SECTION, 10 MM I.D., ZINC PLATED.	Z5394/WM110001 Z5394/WM110001	8			
022	SCREW, FRAME TO FLOOR, HEX. HD., MEDIUM TENSILE, 10 MM COARSE THD., 35 MM LG., ZINC PLATED.	Z5394/SH110351 Z5394/SH110351	8			
023	SCREW, MACHINE, 6 MM BY 12 MM LG.	U1030/SE106121 Z5394/SE106121	16			

* GRADE OF REPAIR (LIGHT MEDIUM OR HEAVY)

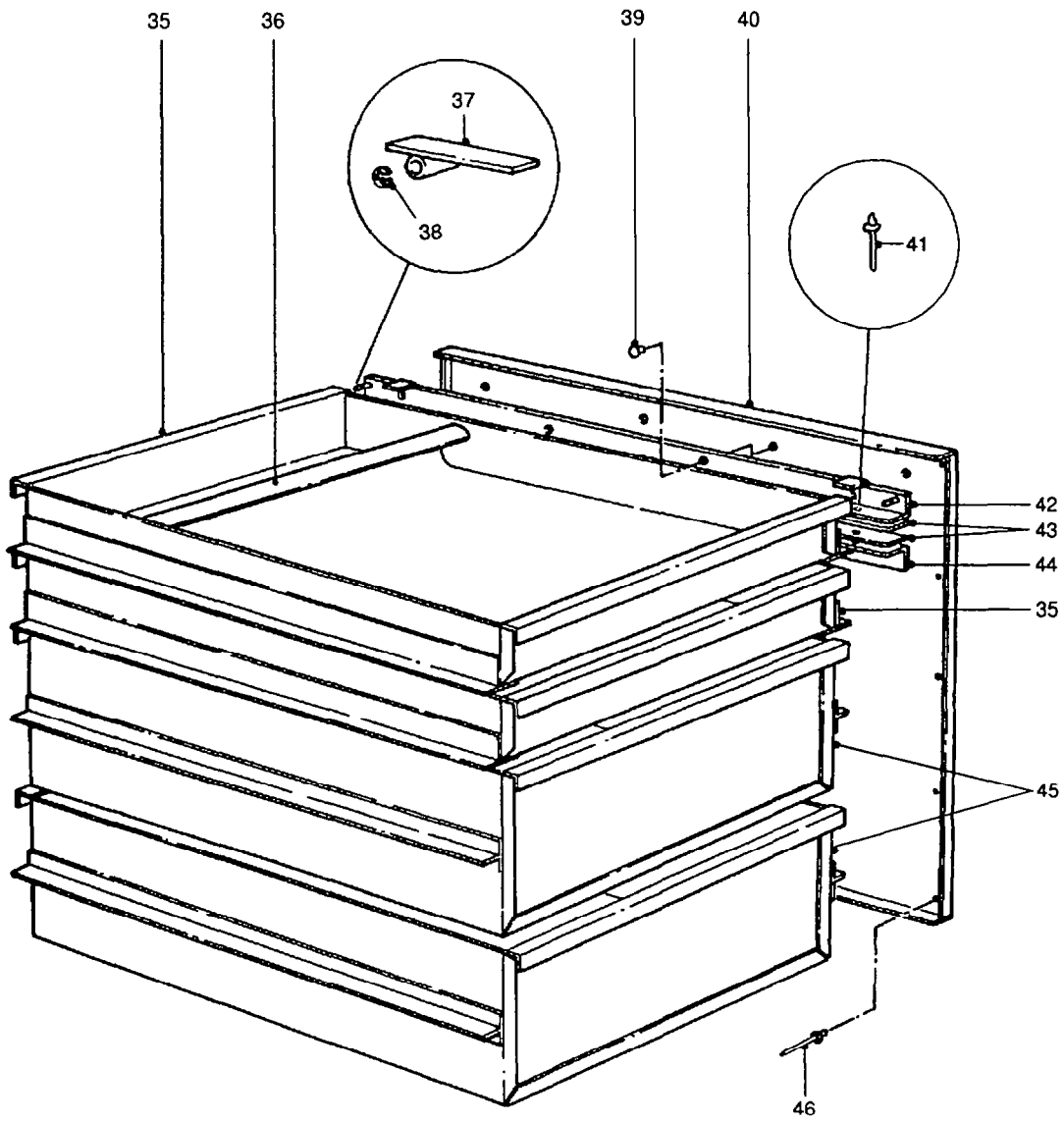


SIDE BENCH ASSEMBLY

GROUP WFE
TITLE SIDE BENCH ASSEMBLY

ITEM NO	DESIGNATION	NSN MANUFACTURER CODE/PART NO SUPPLIER CODE/PART NO	NO	U	E	L*
			OFF	O	X	M*
			I	P	H	*
024	BENCH ASSEMBLY, SIDE, COMPLETE. (INCLUDES WFE 003, WFE 004, WFE 007 TO WFE 011, WFE 014, WFE 017, WFE 018, WFE 023, WFE 025 AND WFE 032 TO WFE 046)	Z4976/720297 Z4976/720297	1			
025	BENCH-TOP ASSEMBLY, SIDE. (INCLUDES WFE 003, WFE 004, WFE 007 TO WFE 011, WFE 014 AND WFE 026 TO WFE 031)	Z4976/720298 Z4976/720298	1			
026	STRIP, PROTECTION, RALLOY, 525 MM LG., 410 MM H., 45 MM D., GAUGE, STEEL. (ALSO PART OF WFE 024)	Z4976/720344 Z4976/720344	1			
027	STRIP, PROTECTION, RALLOY, 595 MM LG., 40 MM W., 10 MM THK. (ALSO PART OF WFE 025, MANUFACTURE FROM WFE 905)	Z4976/720112 Z5394/HYL9968	1			
028	SCREW, RECESSED PAN HD., 6 MM COARSE THD., 40 MM LG., ZINC PLATED	Z5394/SE106401 Z5394/SE106401	4			
029	COVER, BENCH-TOP, RUBBER, 515 MM LG., 700 MM W., 3.2 MM THK. (ALSO PART OF WFE 025)	Z4976/720299 Z4976/720299	1			
030	PLYWOOD, BENCH-TOP, 515 MM LG., 585 MM W., 10 MM THK. (ALSO PART OF WFE 025, MANUFACTURE FROM WFE 907)	Z4976/720300 Z4976/720300	1			
031	PLATE, BENCH-TOP, 525 M BY 515 MM, 3 MM THK., STEELMARK GALVANISED SHEET. (ALSO PART OF WFE 025)	Z4976/720301 Z4976/720301	1			
032	FRAME, TOP, STEEL, 525 MM BY 515 MM, 25 MM SQUARE SECTION, 1.6 MM THK.	Z4976/720303 Z4976/720303	2			
033	FRAME, TOP, STEEL, 525 MM BY 515 MM, 25 MM SQUARE SECTION, 1.6 MM THK.	Z4976/720302 Z4976/720302	1			

* GRADE OF REPAIR (LIGHT MEDIUM OR HEAVY)

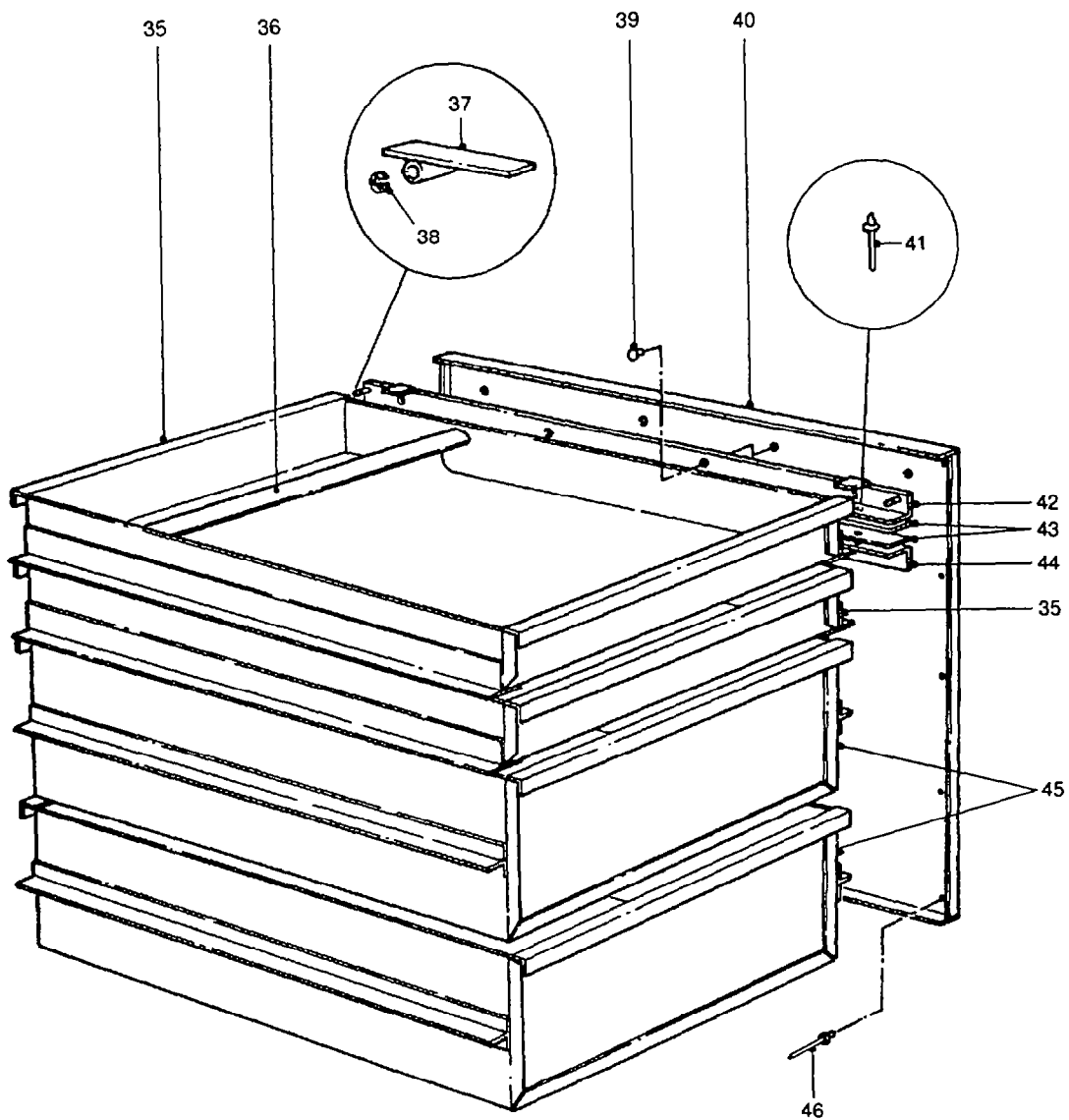


SIDE BENCH ASSEMBLY

GROUP WFE
TITLE SIDE BENCH ASSEMBLY

ITEM NO	DESIGNATION	NSN MANUFACTURER CODE/PART NO SUPPLIER CODE/PART NO	NO	U	E	L*
			OFF	O	X	M*
			I	P	H*	
034	FRAME, BOTTOM, STEEL, 525 MMBY 515 MM, 25 MM SQUARE SECTION, 1.6 MM THK., WITH WELDED 90 DEG. ANGLE, 25 MM BY 25 MM BY 5 MM THK.	Z4976/720304 Z4976/720304	1			
035	DRAWER, SMALL, SIDE BENCH, 485 MM LG., 410 MM W., 45 MM D., 20 GUAGE, STEEL. (ALSO PART OF WFE 001 AND WFE 024)	Z4976/720098 Z5394/HYL9969	8			
036	MAT, DRAWER, RUBBER, 475 MM LG., 400 MM W., 3 MM THK. (MANUFACTURE FROM WFE 904, ALSO PART OF WFE 001 AND WFE 024)	Z4976/720100 Z5394/HYL9970	15			
037	LEVER, RELEASE, DRAWER RUNNER, INNER POSITION. (ALSO PART OF WFE 001 AND WFE 024)	Z4976/720095 Z5394/HYL9971	16			
901	LEVER, RELEASE DRAWER RUNNER, OUTER POSITION. (ALSO PART OF WFE 001 AND WFE 024)	Z4976/720096 Z5394/HYL9972	16			
038	"E"-CLIP, RELEASE LEVER RETENTION. (ALSO PART OF WFE 001 AND WFE 024)	Z0960/C1424-9 Z5394/HYL9973	32			
039	RIVET, RUNNER TO DRAWER PANEL, SEMI-TUBULAR, OVAL HD., 5 MM DIA., 7 MM LG., ZINC PLATED.	U1030/RT110077 Z5394/HYM10	256			
040	PANEL, DRAWER, SIDE BENCH, STEEL, 20 GUAGE, 510 MM BY 535 MM. (ALSO PART OF WFE 001 AND WFE 024)	Z4976/720092 Z5394/HYL9974	8			
041	RIVET, RALLOY, STRIP TO RUNNER, POP, 3.2 MM DIA., 7 MM LG., ALUMINIUM	Z0549/73AS42 Z5394/HYL9952	320			

* GRADE OF REPAIR (LIGHT MEDIUM OR HEAVY)

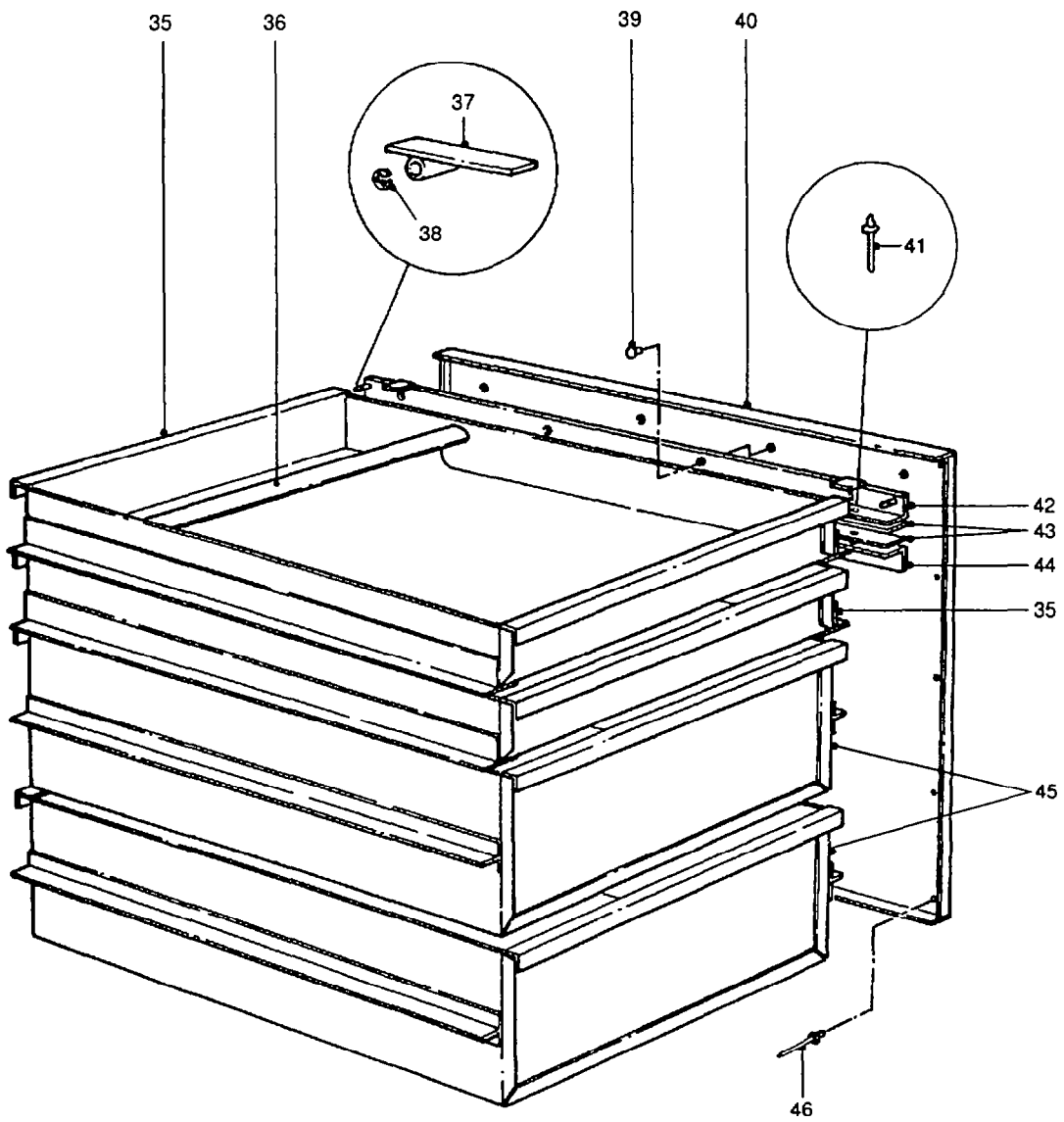


SIDE BENCH ASSEMBLY

GROUP WFE
TITLE SIDE BENCH ASSEMBLY

ITEM NO	DESIGNATION	NSN MANUFACTURER CODE/PART NO SUPPLIER CODE/PART NO	NO OFF	U	E	L*
				O	X	M*
				I	P	H*
042	RUNNER, DRAWER, ALL DRAWERS UPPER POSITION, COMPLETE WITH WELDED RELEASE LEVER PEGS AND TRAVEL LIMITERS, 510 MM LG., 25 MM BY 25 MM, 3 MM THK., STEEL. (ALSO PART OF WFE 001 AND WFE 024)	Z4976/720094 Z4976/720094	16			
043	STRIP, DRAWER RUNNER, RALLOY ANTI-FRICTION, 510 MM LG., 25 MM W., 3 MM THK. (MANUFACTURE FROM WFE 906, ALSO PART OF WFE 001 AND WFE 024)	Z4976/720091 Z5394/HYL9975	64			
044	RUNNER, DRAWER, TOP DRAWERS, LOWER POSITION, LEVER SIDE, 510 MM LG., 25 MM BY 16 MM, 3 MM THK., STEEL. (ALSO PART OF WFE 001 AND WFE 024)	Z4976/720093 Z4976/720093	4			
902	RUNNER, DRAWER, TOP DRAWERS - NON LEVER SIDE UPPER POSITION, ALL OTHER DRAWERS - UPPER AND LOWER POSITIONS NON LEVER SIDE, 2ND, 3RD AND BOTTOM DRAWERS - LEVER SIDE/LOWER POSITION, 510 MM LG., 25 MM BY 25 MM, 3 MM THK., STEEL. (ALSO PART OF WFE 001 AND WFE 024)	Z4976/720089 Z4976/720089	40			
903	RUNNER, DRAWER, TOP DRAWERS - NON LEVER SIDE - LOWER POSITION, 510 MM LG., 25 MM BY 16 MM, 3 MM THK., STEEL. (ALSO PART OF WFE 001 AND WFE 024)	Z4976/720090 Z4976/720090	4			
045	DRAWER, LARGE, SIDE BENCH, 485 MM LG., 410 MM W., 195 MM D., 20 GAUGE, STEEL. (ALSO PART OF WFE 001 AND WFE 024)	Z4976/720097 Z5394/HYL9976	8			
046	RIVET, POP, 4.8 MM DIA., 8 MM LG., ALUMINIUM	Z0549/73AS62 Z5394/HYL9955	8			

* GRADE OF REPAIR (LIGHT MEDIUM OR HEAVY)

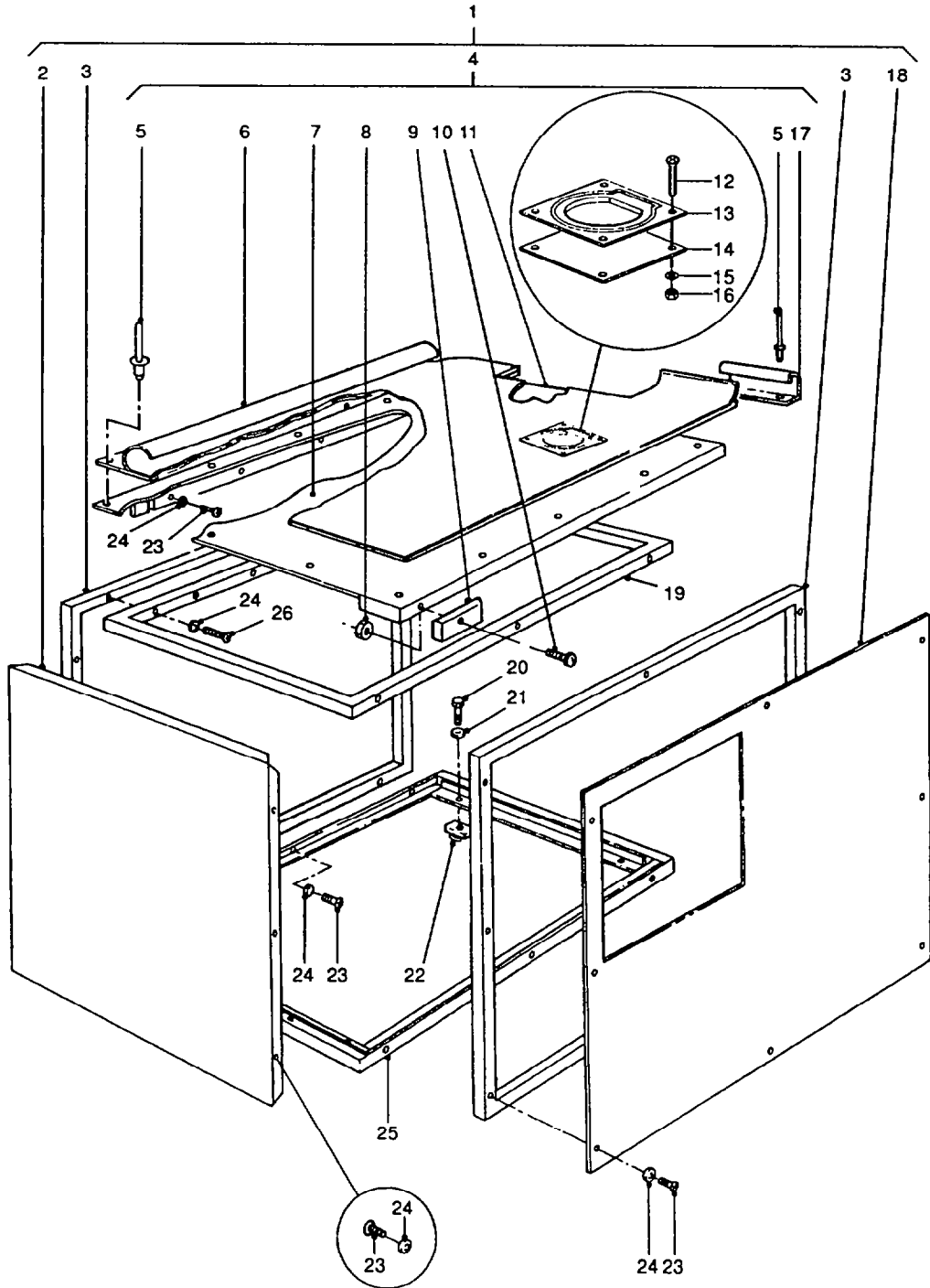


SIDE BENCH ASSEMBLY

GROUP WFE
TITLE SIDE BENCH ASSEMBLY

ITEM NO	DESIGNATION	NSN MANUFACTURER CODE/PART NO SUPPLIER CODE/PART NO	NO OFF	U	E	L*
				O I	X P	M* H*
904	RUBBER, RIBBED, BLACK, AIR STEP, 1.2 MM W., 15 M BULK LG., 3 MM THK. (USE AS REQUIRED)	Z1074/456450 Z1074/456450	1			
905	STRIP, RALLOY ULTRA AR., 1800 MM BULK LG., 1000 MM BULK W., 10 MM THK. (ORDER BY DESCRIPTION, USE AS REQUIRED)	Z1673/NIL Z1673/NIL	1			
906	STRIP, RALLOY, ULTRA AR., ANTI-FRICTION, 1.2 M BULK W., 3 MM THK. (ORDER BY DESCRIPTION, USE AS REQUIRED)	Z1673/NIL Z1673/NIL	1			
907	PLYWOOD, CD-PLY, 1.2 M BULK W., 10 MM THK., 2.4 MM BULK LG. (ORDER BY DESCRIPTION, USE AS REQUIRED)	/NIL /NIL	1			
908	FLOORING, RUBBER, 1.83 M BULK W., 3.2 MM THK., BLACK/WHITE. (USE AS REQUIRED)	ZH551/C1 ZH551/C1	1			

* GRADE OF REPAIR (LIGHT MEDIUM OR HEAVY)



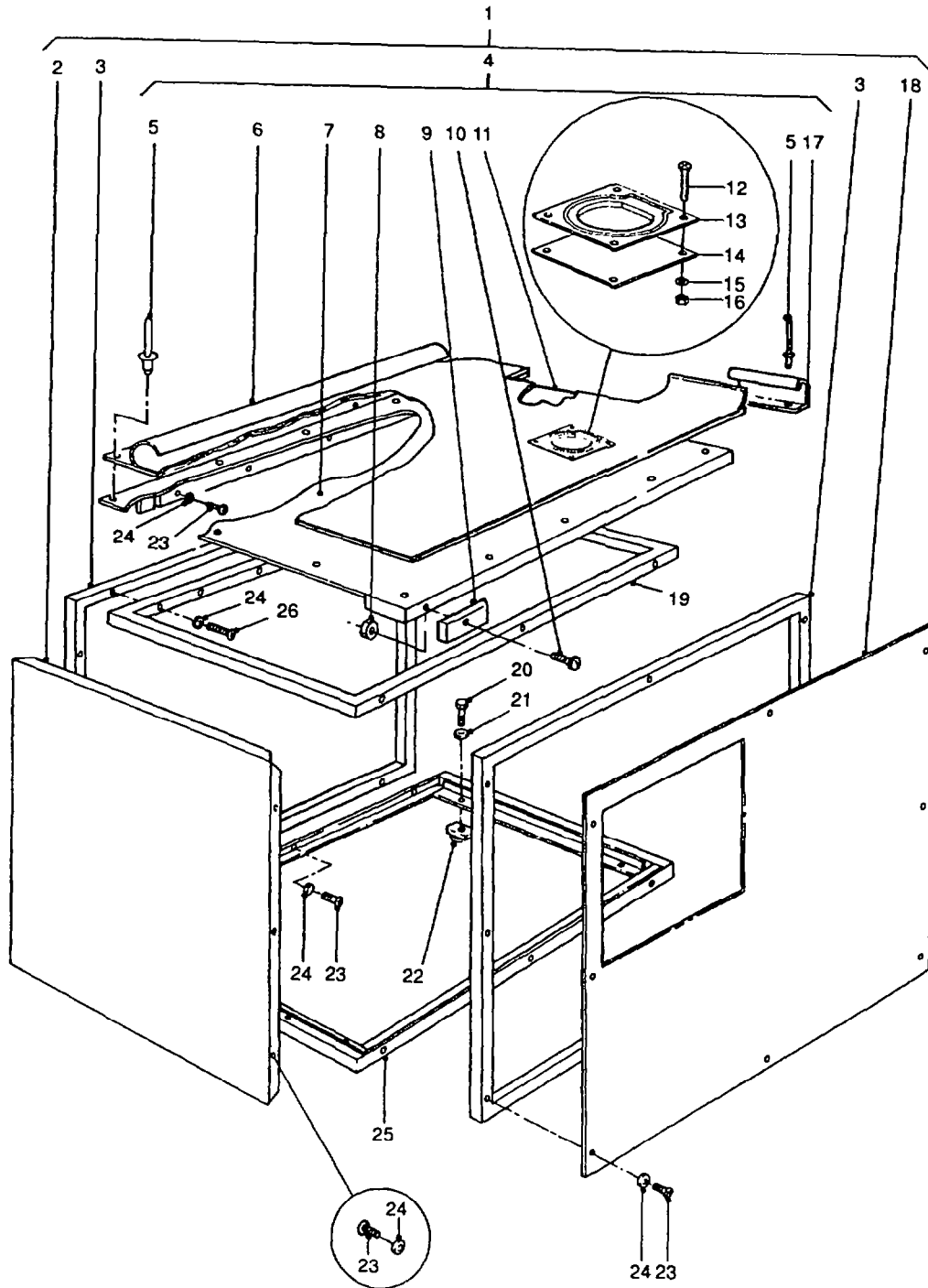
FRONT BENCH ASSEMBLY - LEFT HAND

GROUP WFF
TITLE FRONT BENCH ASSEMBLY - LEFT HAND

ITEM NO	DESIGNATION	NSN MANUFACTURER CODE/PART NO SUPPLIER CODE/PART NO	NO OFF	U	E	L*
				O	X	M*
				I	P	H*
001	BENCH ASSEMBLY, FRONT, L.H., COMPLETE. (INCLUDES WFF 002 TO WFF 019 AND WFF 023 TO WFF 026)	Z4976/720313 Z4976/720313	1			
002	PANEL, REAR, 540 MM BY 465 MM, 20 GAUGE, STEEL, 6 X 6 MM DIA., HOLES	Z4976/720068 Z5394/HYM85	1			
003	FRAME, SIDE, 635 MM BY 590 MM, 25 MM SQUARE SECTION, 1.6 MM THK., STEEL.	Z4976/720064 Z4976/720064	2			
004	BENCH-TOP ASSEMBLY, FRONT L.H. (INCLUDES WFF 005 TO WFF 017)	Z4976/720314 Z5394/HYM84	1			
005	RIVET, PLYWOOD AND RETAINER TO BENCH-TOP, POP, 4.8 MM DIA., 19 MM LG., ALUMINIUM.	Z0549/73AS68 Z5394/HYL9965	16			
006	COVER, BENCH-TOP, RUBBER, 665 MM BY 700 MM, 3.2 MM THK., BLACK/WHITE. (ALSO PART OF WFF 004, MANUFACTURE FROM WFF 901)	Z4976/720315 Z5394/HYM86	1			
007	PLATE, BENCH-TOP, 635 MM BY 584 MM, 3 MM THK., STEELMARKGALVANISED SHEET. (ALSO PART OF WFF 004)	Z4976/720341 Z4976/720341	1			
008	NUT, SELF-LOCKING, HEX, 6 MM DIA.	U1030/NY106041 Z5394/NY106041	1			
009	STRIP, PROTECTION, RALLOY, 50 MM LG., 10 MM THK. (ALSO PART OF WFF 004, MANUFACTURE FROM WFF 903)	Z4976/720108 Z5394/HYM89	1			
010	SCREW, MACHINE, ISO METRIC, 6G, STEEL, PAN HD., SLOT DRIVE, ZINC PLATED, 6 MM DIA., 1.0 MM PITCH, 16 MM LG.	U1030/SE106061 Z5394/SE106161	1			
011	PLYWOOD, BENCH-TOP, 635 MM BY 585 MM, 10 MM THK. (ALSO PART OF WFF 004, MANUFACTURE FROM WFF 902)	Z4976/720106 Z4976/720106	1			

ISSUE NO: 1 REPAIR PARTS SCALE : 02222 PAGE NO: 97

* GRADE OF REPAIR (LIGHT MEDIUM OR HEAVY)

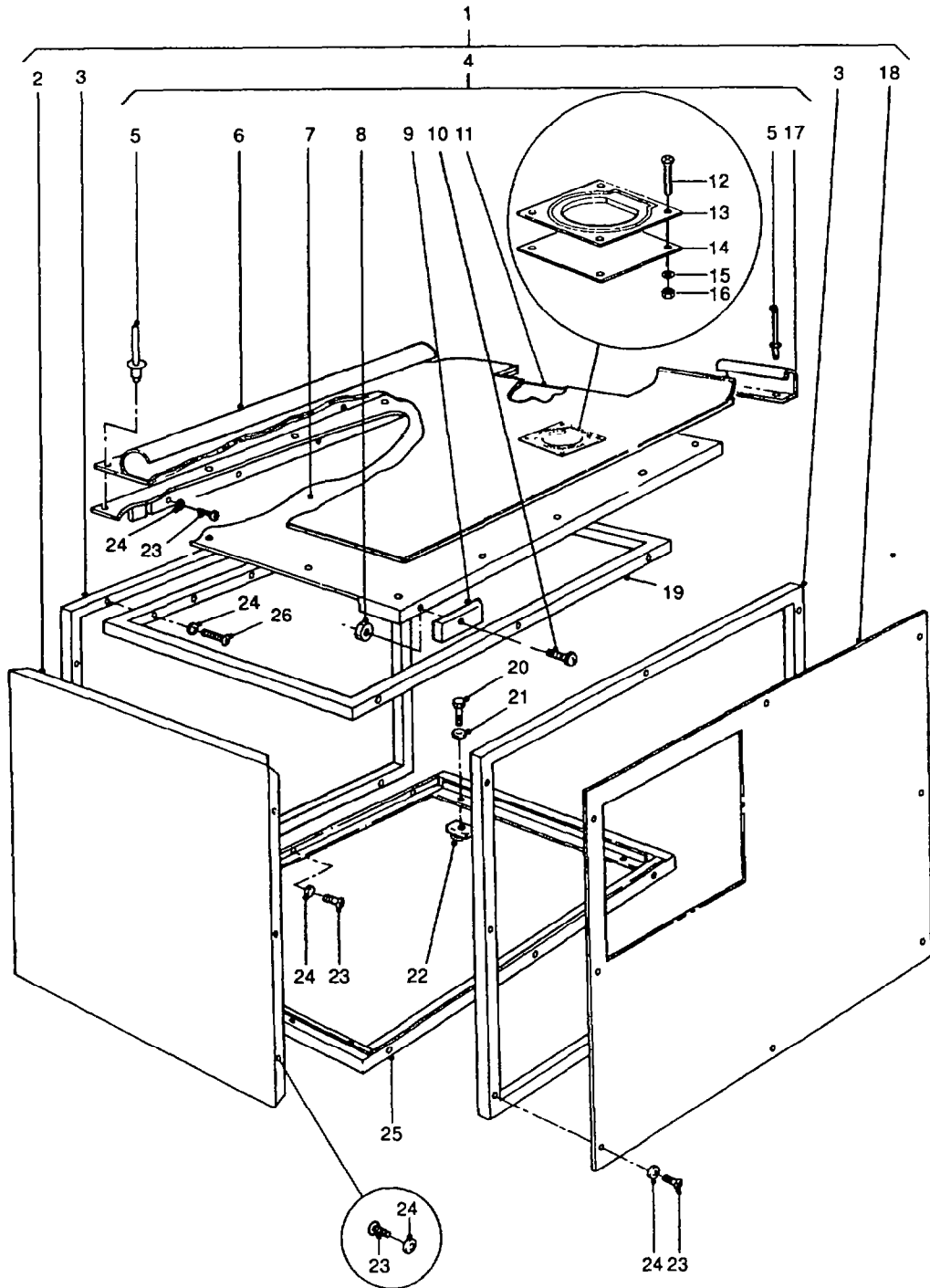


FRONT BENCH ASSEMBLY - LEFT HAND

GROUP WFF
 TITLE FRONT BENCH ASSEMBLY - LEFT HAND

ITEM NO	DESIGNATION	NSN MANUFACTURER CODE/PART NO SUPPLIER CODE/PART NO	NO OFF	U	E	L*
				O	X	M*
				I	P	H*
012	SCREW, COUNTERSUNK HD., PHILLIPS, 6 MM DIA., 35 MM LG., COARSE THD., STEEL, ZINC PLATED.	/NIL /NIL	8			
013	RING, LASHING, RECESSED, FLUSH RING, STEEL, ZINC PLATED. (ALSO PART OF WFF 004)	ZF194/LRM ZF194/LRM	2			
014	PLATE, BACKING, 100 MM LG., 100 MM W., 2 MM THK., GALVANISED STEEL. (ALSO PART OF WFF 004)	Z4976/720294 Z4976/720294	2			
015	WASHER, FLAT, 6 MM DIA., STEEL.	ZOF88/0503 8806 ZOF88/0503 8806	8			
016	NUT, HEX., NYLON INSERT, 6 MM DIA., COARSE THD., STEEL, ZINC PLATED	ZOF88/0209 3604 ZOF88/0209 3604	8			
017	RETAINER, BENCH-TOP RUBBER COVER, 160 MM LG., 25 MM BASE W., 40 MM H., 13 MM FOLD, 20 GAUGE, ZINC ANNEALED. (ALSO PART OF WFF 004)	Z4976/720114 Z5394/HYM87	1			
018	PANEL, SIDE, 625 MM BY 580 MM, 20 GAUGE, 8 MM BY 6 MM DIA. HOLES, STEEL	Z4976/720069 Z5394/HYM88	1			
019	FRAME, TOP, 635 MM BY 465 MM, 25 MM SQUARE SECTION 1.6 MM THK., STEEL.	Z4976/720067 Z4976/720067	1			
020	SCREW, FRAME TO DECKING, HEX, HD., MEDIUM TENSILE, 10 MM COARSE THD., 35 MM LG., ZINC PLATED	Z5394/SH110351 Z5394/SH110351	4			
021	WASHER, LOCK, SINGLE COIL, SQUARE SECTION, 10 MM I.D., ZINC PLATED.	Z5394/WM110001 Z5394/WM110001	4			
022	NUT, COMPLETE WITH SPRING, 34 MM LG., 20 MM W., 8 MM THK., 10 MM COARSE THD., ALUMINIUM.	Z5394/HYL9967 Z5394/HYL9967	4			
023	SCREW, MACHINE, 6 MM BY 12 MM LG.	U1030/SE106121 Z5394/SE106121	28			

* GRADE OF REPAIR (LIGHT MEDIUM OR HEAVY)

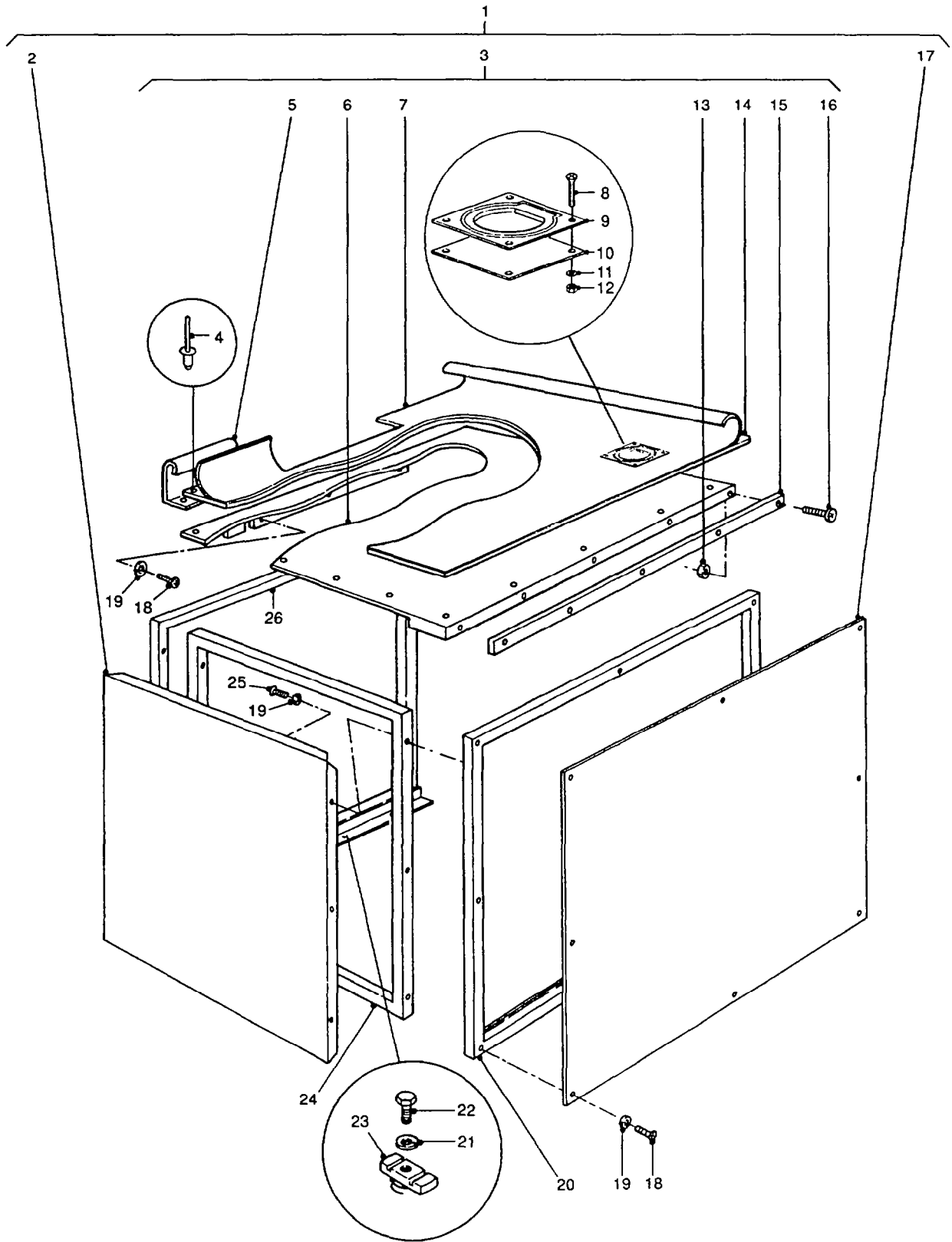


FRONT BENCH ASSEMBLY - LEFT HAND

GROUP WFF
TITLE FRONT BENCH ASSEMBLY - LEFT HAND

ITEM NO	DESIGNATION	NSN MANUFACTURER CODE/PART NO SUPPLIER CODE/PART NO	NO OFF	U O	E X	L* M* H*
024	WASHER, LOCK, STEEL, SHAKEPROOF, ZINC COATED, INTERNAL TYPE, 6 MM.	Z5394/WF106001 Z5394/WF106001	34			
025	FRAME, BOTTOM, 635 MM BY 465 MM, TWO SIDES 25 MM BY 25 MM SQUARE SECTION, 1.6 MM THK., WITH WELDED 90 DEG. ANGLE, 25 MM BY 25 MM BY 5 MM THK., TWO SIDES 90 DEG. ANGLE, 25 MM BY 25 MM BY 5 MM THK., STEEL	Z4976/720066 Z4976/720066	1			
026	SCREW, RECESSED PAN HD., 6 MM COARSE THD., 35 MM LG., ZINC PLATED	Z5394/SE106351 Z5394/SE106351	6			
901	FLOORING, RUBBER, 1.8 M BULKW., 3.2 MM THK., BLACK/WHITE, BULK LG. (USE AS REQUIRED)	ZS013/C1 ZS013/C1	1			
902	PLYWOOD, CO-PLY, 1.2 M BULK W., 10 MM THK., 2.4 M BULK LG. (ORDER BY DESCRIPTION, USED TO MANUFACTURE WFF 011)	/NIL /NIL	1			
903	STRIP, RALLOY, ULTRA-AR, 10 MM THK., 1800 MM BULK LG., 1000 MM BULK W. (ORDER BY DESCRIPTION, USED TO MANUFACTURE WFF 009)	Z1673/NIL Z1673/NIL	1			

* GRADE OF REPAIR (LIGHT MEDIUM OR HEAVY)

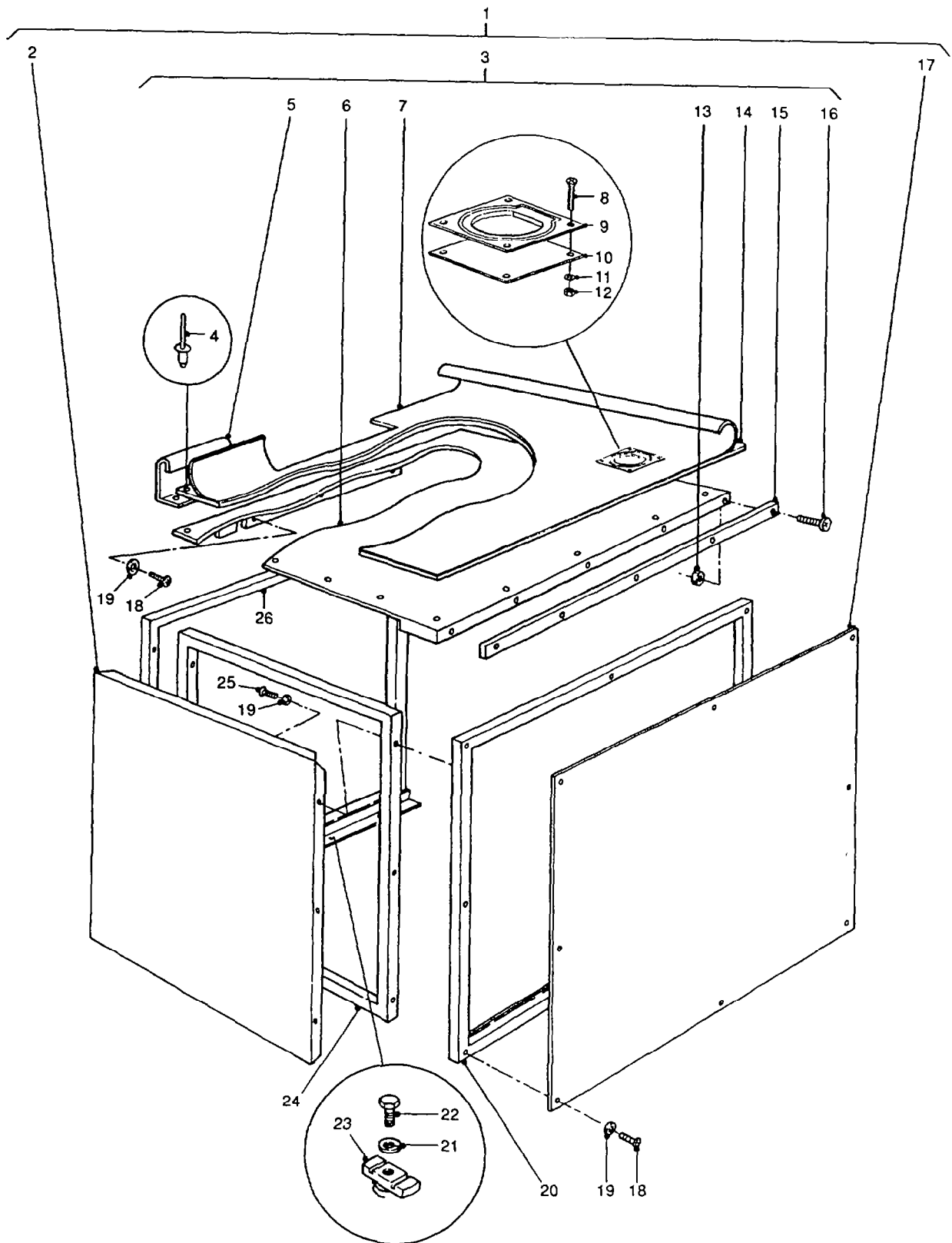


FRONT BENCH ASSEMBLY - RIGHT HAND

GROUP WFG
TITLE FRONT BENCH ASSEMBLY - RIGHT HAND

ITEM NO	DESIGNATION	NSN MANUFACTURER CODE/PART NO SUPPLIER CODE/PART NO	NO OFF	U	E	L*
				O	X	M*
				I	P	H*
001	BENCH ASSEMBLY, FRONT, R.H., COMPLETE. (INCLUDES WFG 002 TO WFG 020 AND WFG 024 TO WFG 026)	Z4976/720309 Z4976/720309	1			
002	PANEL, SIDE, 540 MM BY 415 MM, 20 GAUGE, 10 MM BY 6 MM DIA. HOLES, STEEL (ALSO PART OF WFG 001)	Z4976/720061 Z5394/HYM95	1			
003	BENCH-TOP ASSEMBLY, FRONT R.H. (INCLUDES WFG 005 TO WFG 016)	Z4976/720310 Z5394/HYM91	1			
004	RIVET, PLYWOOD AND RETAINER TO BENCH-TOP, POP, 4.8 MM DIA., 19 MM LG., ALUMINIUM. (ALSO PART OF WFG 002)	Z0549/73AS68 Z5394/HYL9965	19			
005	RETAINER, BENCH-TOP RUBBER COVER, 160 MM LG., 25 MM BASE W., 40 MM H., 13 MM FOLD, 20 GAUGE, ZINC ANNEALED. (ALSO PART OF WFG 003)	Z4976/720114 Z5394/HYM87	1			
006	PLATE, BENCH-TOP, 630 MM BY 585 MM, 3 MM THK., STEELMARKGALVANISED SHEET. (ALSO PART OF WFG 003)	Z4976/720342 Z4976/720342	1			
007	COVER, BENCH-TOP RUBBER, 745 MM BY 615 MM, 3.2 MM THK., BLACK/WHITE (ALSO PART OF WFG 003, MANUFACTURE FROM WFG 901)	Z4976/720311 Z5394/HYM92	1			
008	SCREW, COUNTERSUNK HD., PHILLIPS, 6 MM DIA., 35 MM LG., COARSE THD., STEEL, ZINC PLATED.	/NIL /NIL	16			
009	RING, LASHING, RECESSED, FLUSH RING, STEEL, ZINC PLATED. (ALSO PART OF WFG 003)	ZF194/LRM ZF194/LRM	4			
010	PLATE, BACKING, 100 MM LG., 100 MM W., 2 MM THK., GALVANISED STEEL. (ALSO PART OF WFG 003)	Z4976/720294 Z4976/720294	4			

* GRADE OF REPAIR (LIGHT MEDIUM OR HEAVY)



FRONT BENCH ASSEMBLY - RIGHT HAND

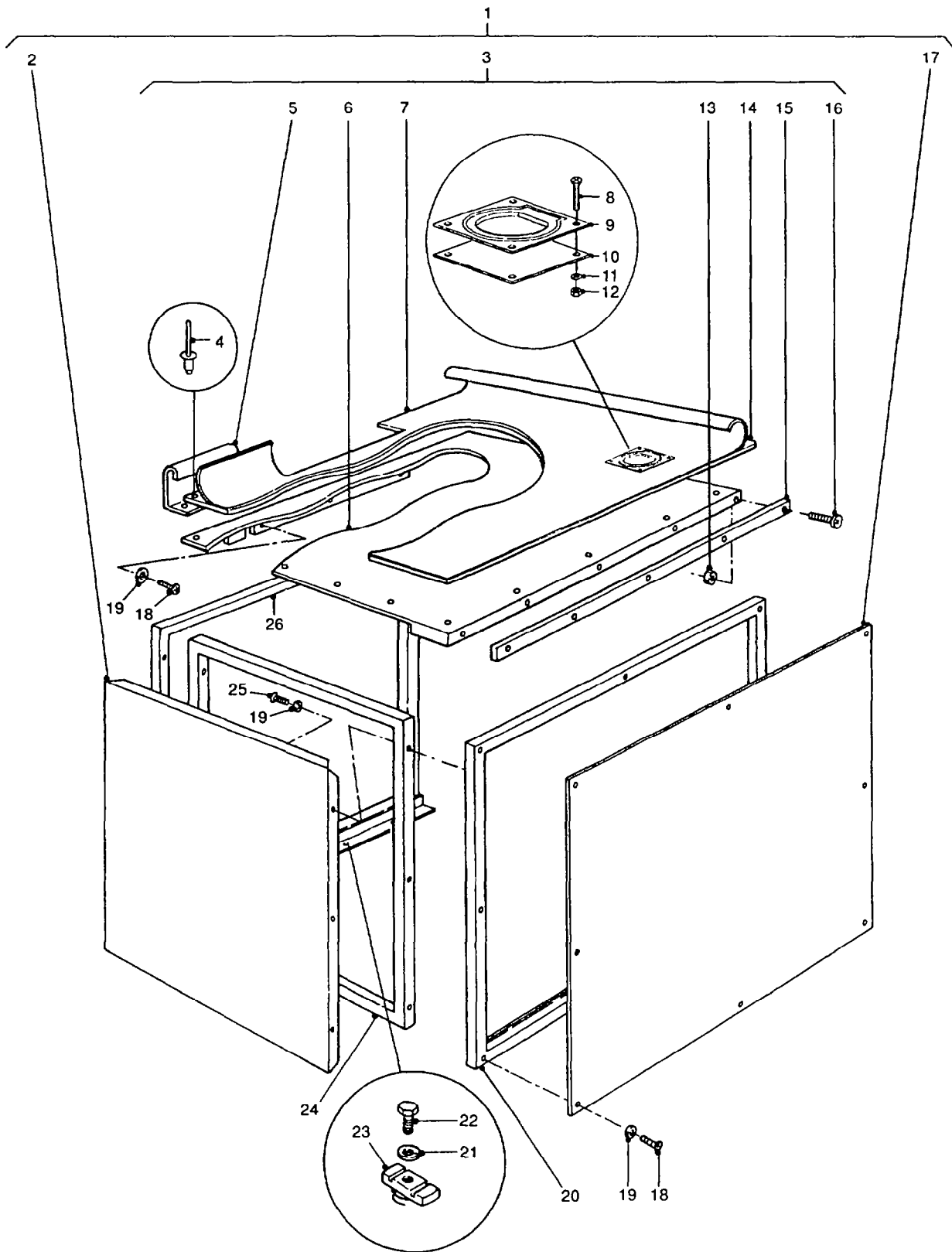
GROUP WFG

TITLE FRONT BENCH ASSEMBLY - RIGHT HAND

ITEM NO	DESIGNATION	NSN MANUFACTURER CODE/PART NO SUPPLIER CODE/PART NO	NO OFF	U	E	L*
				O	X	M*
				I	P	H*
011	WASHER, FLAT, 6 MM DIA., STEEL.	ZOF88/0503 8806 ZOF88/0503 8806	16			
012	NUT, HEX., NYLON INSERT, 6 MM DIA., COARSE THD., STEEL, ZINC PLATED	ZOF88/0209 3604 ZOF88/0209 3604	16			
013	NUT, SELF-LOCKING, HEX, 6 MM DIA.	U1030/NY106041 Z5394/NY106041	5			
014	PLYWOOD, BENCH-TOP, 630 MM BY 585 MM, 10 MM THK. (ALSO PART OF WFG 003, MANUFACTURE FROM WFG 902)	Z4976/720312 Z4976/720312	1			
015	STRIP, PROTECTION, RALLOY, 630 MM LG., 40 MM W., 10 MM THK. (ALSO PART OF WFG 003, MANUFACTURE FROM WFG 903)	Z4976/720119 Z5394/HYM93	1			
016	SCREW, MACHINE, ISO METRIC, 6G, STEEL, PAN HD., SLOT DRIVE, ZINC PLATED, 6 MM DIA., 1.0 MM PITCH, 16 MM LG.	U1030/SE106161 Z5394/SE106161	5			
017	PANEL, REAR, 620 MM BY 580 MM, 20 GAUGE, 8 BY DIA. HOLES, STEEL (ALSO PART OF WFG 001)	Z4976/720062 Z5394/HYM94	1			
018	SCREW, MACHINE, 6 MM BY 12 MM LG.	U1030/SE106121 Z5394/SE106121	14			
019	WASHER, LOCK, STEEL, SHAKEPROOF, ZINC COATED, INTERNAL TYPE, 6 MM.	Z5394/WF106001 NIL /	20			
020	FRAME, REAR, 630 MM BY 590 MM, 25 MM SQUARE SECTION 1.6 MM THK., WITH WELDED 90 DEG. ANGLE, 25 MM BY 25 MM BY 5 MM, STEEL (ALSO PART OF WFG 001)	Z4976/720058 Z4976/720058	1			
021	WASHER, LOCK, SINGLE COIL, SQUARE SECTION, 10 MM I.D., ZINC PLATED.	Z5394/WM110001 Z5394/WM110001	4			

ISSUE NO: 1 REPAIR PARTS SCALE : 02222 PAGE NO: 101

* GRADE OF REPAIR (LIGHT MEDIUM OR HEAVY)

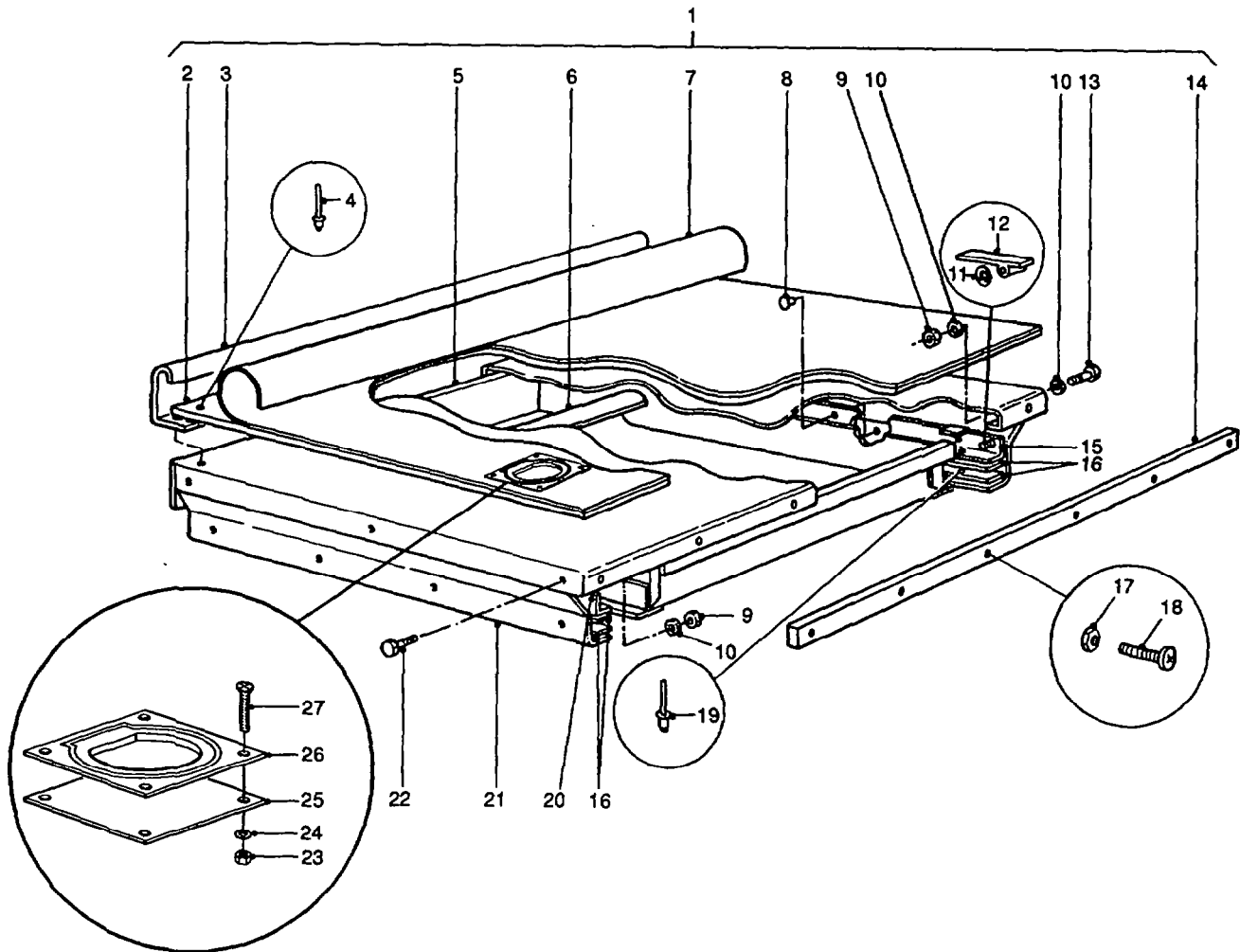


FRONT BENCH ASSEMBLY - RIGHT HAND

GROUP WFG
TITLE FRONT BENCH ASSEMBLY - RIGHT HAND

ITEM NO	DESIGNATION	NSN MANUFACTURER CODE/PART NO SUPPLIER CODE/PART NO	NO OFF	U	E	L*
				O	X	M*
				I	P	H*
022	SCREW, FRAME TO FLOOR, HEX. HD., MEDIUM TENSILE, 10 MM COARSE THD., 35 MM LG., ZINC PLATED,	Z5394/SH110351 Z5394/SH110351	4			
023	NUT, COMPLETE WITH SPRING, 34 MMLG., 20 MM W., 8 MM THK., 10 MM COARSE THD., ALUMINIUM.	Z5394/HYL9967 Z5394/HYL9967	4			
024	FRAME, SIDE, STEEL, 590 MM BY 465 MM, 25 MM BY 25 MM SQUARE SECTION, 1.6 MM THK. (ALSO PART OF WFG 001)	Z4976/720059 Z4976/720059	1			
025	SCREW, RECESSED PAN HD., 6 MM COARSE THD., 35 MM LG., ZINC PLATED. (ALSO PART OF WFG 001)	Z5394/SE106351 Z5394/SE106351	6			
026	FRAME, FRONT, 590 MM BY 515 MM, 25 MM BY 25 MM SQUARE SECTION, 1.6 MM THK., WITH WELDED 90 DEG. ANGLE, 25 MM BY 25 MM BY 5 MM, STEEL (ALSO PART OF WFG 001)	Z4976/720060 Z4976/720060	1			
901	FLOORING, RUBBER, 3.2 MM THK., 1.83 M BULK W., BULK LG., BLACK/WHITE. (USE AS REQUIRED)	ZS013/C1 ZS013/C1	1			
902	PLYWOOD, CD-PLY, 1.2 M BULK W., 10 MM THK., 2.4 M BULK LG. (USE AS REQUIRED)	/NIL /NIL	1			
903	STRIP, RALLOY, ULTRA-AR, 10 MM THK., 1800 MM BULK LG. 1000 MM BULK W. (ORDER BY DESCRIPTION, USE AS REQUIRED)	Z1673/NIL Z1673/NIL	1			

* GRADE OF REPAIR (LIGHT MEDIUM OR HEAVY)

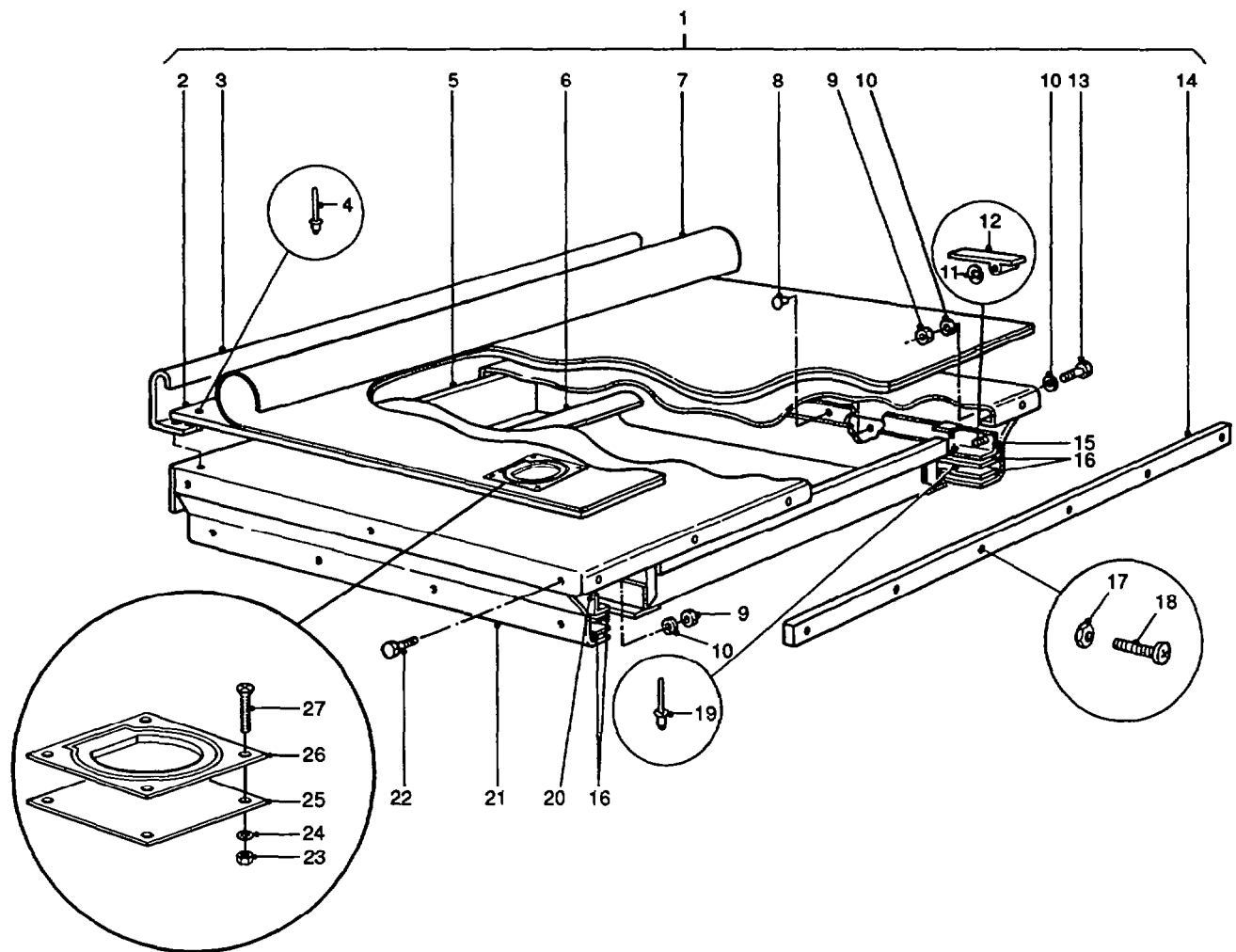


FRONT BENCH ASSEMBLY - CENTRE

GROUP WFH
TITLE FRONT BENCH ASSEMBLY - CENTRE

ITEM NO	DESIGNATION	NSN		NO OFF	U O	E X	L* M*
		MANUFACTURER CODE/PART NO	SUPPLIER CODE/PART NO				
001	BENCH ASSEMBLY, FRONT, CENTRE, COMPLETE. (INCLUDES WFH 002 TO WFH 008, WFH 011, WFH 012, AND WFH 014 TO WFH 021 AND WFH 023 TO WFH 027)	Z4976/720317 Z4976/720317		1			
002	PLYWOOD, BENCH-TOP, 760 MM LG., 585 MM W., 10 MM THK. (MANUFACTURED FROM WFH 901)	Z4976/720320 Z4976/720320		1			
003	RETAINER, BENCH-TOP RUBBER COVER, 760 MM LG., 25 MM BASE W., 40 MM H., 13 MM FOLD, 20 GAUGE, ZINC ANNEALED.	Z4976/720115 Z5394/HYM101		1			
004	RIVET, PLYWOOD AND RETAINER TO BENCH-TOP, POP, 4.8 MM DIA., 19 MM LG., ALUMINIUM.	Z0549/73AS68 Z5394/HYL9965		18			
005	DRAWER, FRONT-CENTRE BENCH, 640 MM LG., 500 MM W., 47 MM D., 20 GAUGE, STEEL	Z4976/720102 Z5394/HYM97		1			
006	MAT, DRAWER, RUBBER, 3 MM THK., 490 MM W., 630 MM LG. (MANUFACTURED FROM WFH 902)	Z4976/720101 Z5394/HYM98		1			
007	COVER, BENCH-TOP, RUBBER, 3.2 MM THK., 615 MM W., 760 MM LG., BLACK/WHITE (MANUFACTURED FROM WFH 905)	Z4976/720319 Z4976/720319		1			
008	RIVET, RUNNER TO BENCH, SEMI-TUBULAR, OVAL HD., 5 MM MM DIA., 7 MM LG., ZINC PLATED.	U1030/RT110077 Z5394/HYM10		8			
009	NUT, SELF-LOCKING, HEX., METRIC, STEEL, ZINC PLATED, 8 MM DIA., 13 MM W. A/F, 9.5 MM H., NYLON INSERT	U1030/NY108041 Z5394/NY108041		6			
010	WASHER, FLAT, NORMAL O.D., NORMAL THK., 8 MM I.D., ZINC PLATED.	Z5394/WA108001 Z5394/WA108001		9			
011	E-CLIP, RELEASE LEVER RETENTION.	Z0960/C1424-9 Z5394/HYL9973		2			
012	LEVER, RELEASE, DRAWER RUNNER.	Z4976/720096 Z5394/HYL9972		1			

* GRADE OF REPAIR (LIGHT MEDIUM OR HEAVY)

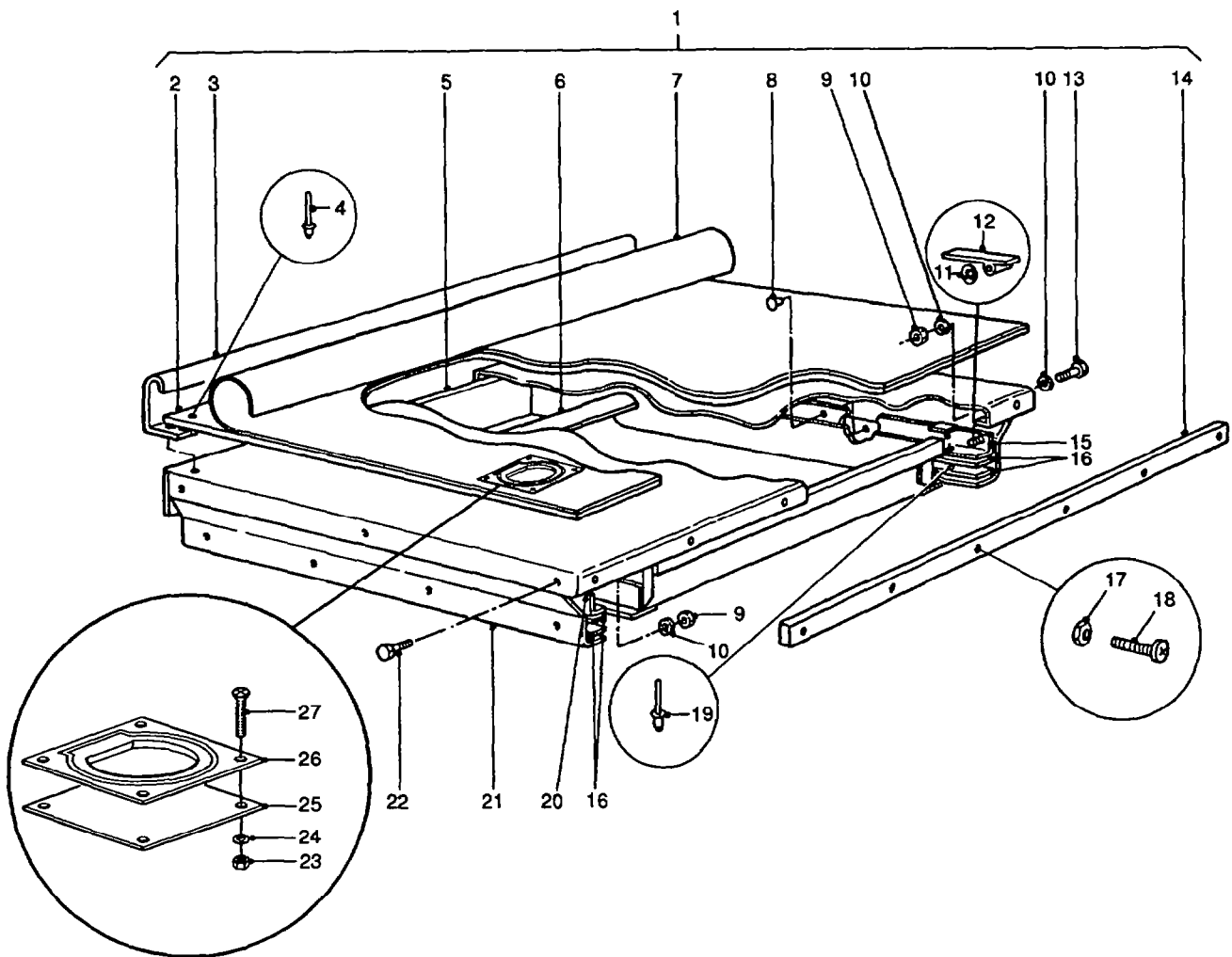


FRONT BENCH ASSEMBLY - CENTRE

GROUP WFH
TITLE FRONT BENCH ASSEMBLY - CENTRE

ITEM NO	DESIGNATION	NSN MANUFACTURER CODE/PART NO SUPPLIER CODE/PART NO	NO OFF	U	E	L*
				O	X	M*
				I	P	H*
013	SCREW, MACHINE, ISO METRIC, STEEL, HEX. HD., ZINC COATED, 8 MM BY 25 MM LG.	U1030/SH108501 Z5394/SH108501	3			
014	STRIP, PROTECTION, RALLOY, 10 MM THK., 40 MM W., 760 MM LG. (MANUFACTURED FROM WFH 903)	Z4976/720105 Z5394/HYM100	1			
015	RUNNER, DRAWER, R.H., COMPLETE WITH WELDED RELEASE LEVER PEGS AND TRAVEL LIMITERS, 510 MM LG., 25 MM BY 25 MM, 3 MM THK., STEEL.	Z4976/720094 Z4976/720094	1			
016	STRIP, DRAWER RUNNER, RALLOY, ANTI-FRICTION, 3 MM THK., 25 MM W., 510 MM LG., (MANUFACTURED FROM WFH 904)	Z4976/720091 Z5394/HYL9975	4			
017	NUT, SELF-LOCKING, HEX, 6 MM DIA.	U1030/NY106041 Z5394/NY106041	6			
018	SCREW, MACHINE, ISO METRIC, 6G, STEEL, PAN HD., SLOT DRIVE, ZINC PLATED, 6 MM DIA., 1.0 MM PITCH, 16 MM LG.	U1030/SE106161 Z5394/SE106161	6			
019	RIVET, RALLOY, STRIP TO RUNNER, POP, 3.2 MM DIA., 7 MM LG., ALUMINIUM	Z0549/73AS42 Z5394/HYL9952	20			
020	RUNNER, DRAWER, L.H., 510 MM LG., 25 MM BY 25 MM, 3 MM THK., STEEL.	Z4976/720089 Z4976/720089	1			
021	BENCH, FRONT-CENTRE, COMPLETE WITH LOWER DRAWER RUNNER, 3 MM THK., 585 MM W., 760 MM GALVSHEET.	Z4976/720343 Z4976/720343	1			
022	SCREW, HEX. HD., MEDIUM TENSILE, 8 MM COARSE THD., 25 MM LG., ZINC PLATED.	Z5394/SH108251 Z5394/SH108251	3			
023	NUT, HEX., NYLON INSERT, 6 MM DIA., COARSE THD., STEEL, ZINC PLATED	Z0F88/0209 3604 Z0F88/0209 3604	40			
024	WASHER, FLAT, 6 MM DIA., STEEL.	Z0F88/0503 8806 Z0F88/0503 8806	40			

* GRADE OF REPAIR (LIGHT MEDIUM OR HEAVY)

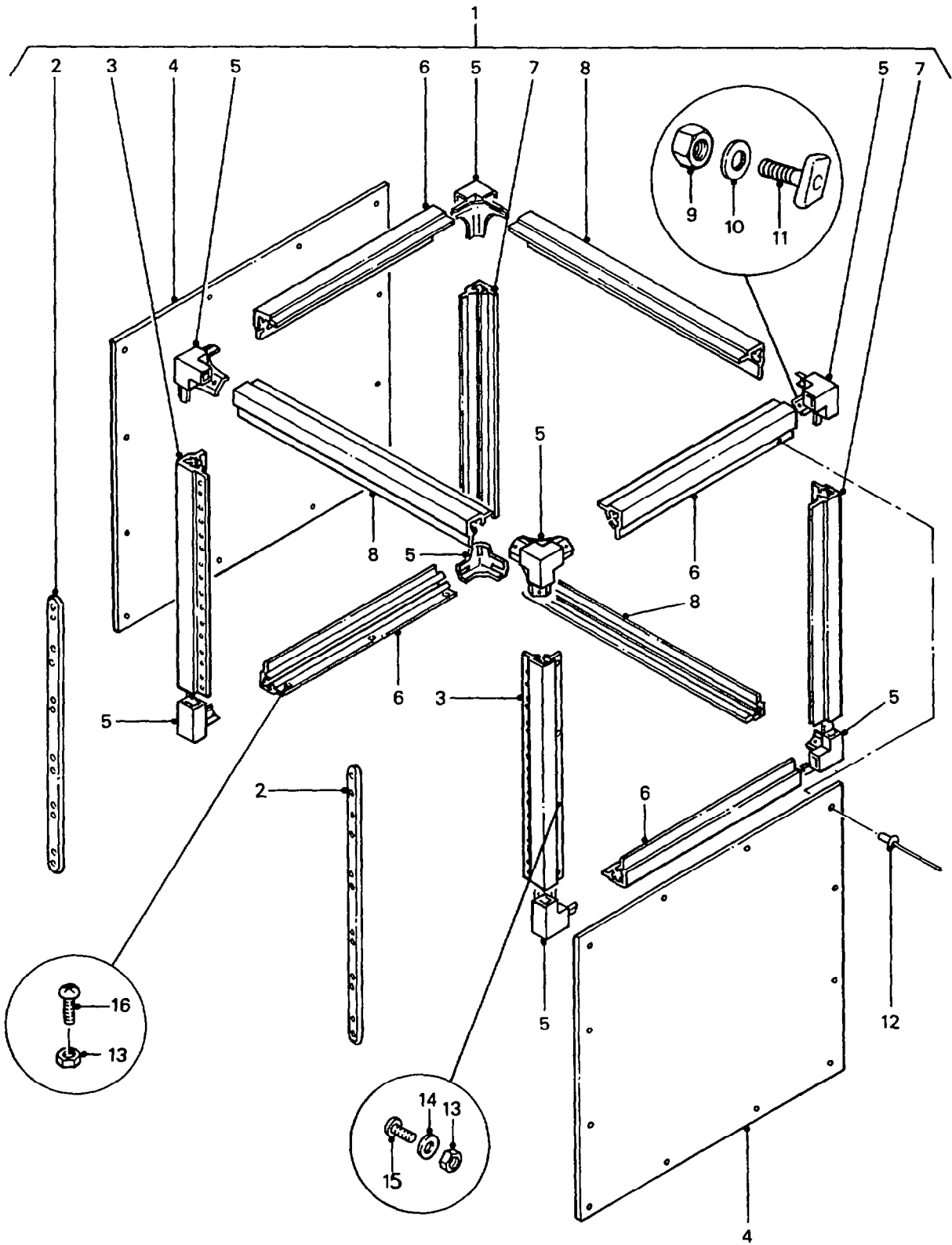


FRONT BENCH ASSEMBLY - CENTRE

GROUP WFH
TITLE FRONT BENCH ASSEMBLY - CENTRE

ITEM NO	DESIGNATION	NSN		NO OFF	U O I	E X P	L* M* H*
		MANUFACTURER CODE/PART NO	SUPPLIER CODE/PART NO				
025	PLATE, BACKING, 100 MM LG., 100 MM W., 2 MM THK., GALVANISED STEEL. (ALSO PART OF WFH 001)	Z4976/720294 Z4976/720294		10			
026	RING, LASHING, RECESSED, FLUSH RING, STEEL, ZINC PLATED. (ALSO PART OF WFH 001)	ZF194/LRM ZF194/LRM		10			
027	SCREW, COUNTERHEAD HD., PHILLIPS, 6 MM DIA., 35 MM LG., COARSE THD., STEEL, ZINC PLATED.	ZOF88/NIL ZOF88/NIL		40			
901	PLYWOOD, CD-PLY, 10 MM THK., 1.2 M BULK W., 2.4 M BULK LG. (USE AS REQUIRED)	/NIL /NIL		1			
902	RUBBER, RIBBED, BLACK, AIR STEP, 3 MM THK., 1.2 MM W., 15 M BULK LG. (USE AS REQUIRED)	Z1074/456450 Z1074/456450		1			
903	STRIP, RALLOY, ULTRA AR, 10 MM THK., 1.0 M BULK W., 1.8 M BULK LG. (ORDER BY DESCRIPTION, USE AS REQUIRED)	Z1673/NIL Z1673/NIL		1			
904	STRIP, RALLOY, ULTRA AR, ANTI-FRICTION, 3 MM THK., 1.2 MM BULK W., 3 M BULK LG. (ORDER BY DESCRIPTION, USE AS REQUIRED)	Z1673/NIL Z1673/NIL		1			

* GRADE OF REPAIR (LIGHT MEDIUM OR HEAVY)



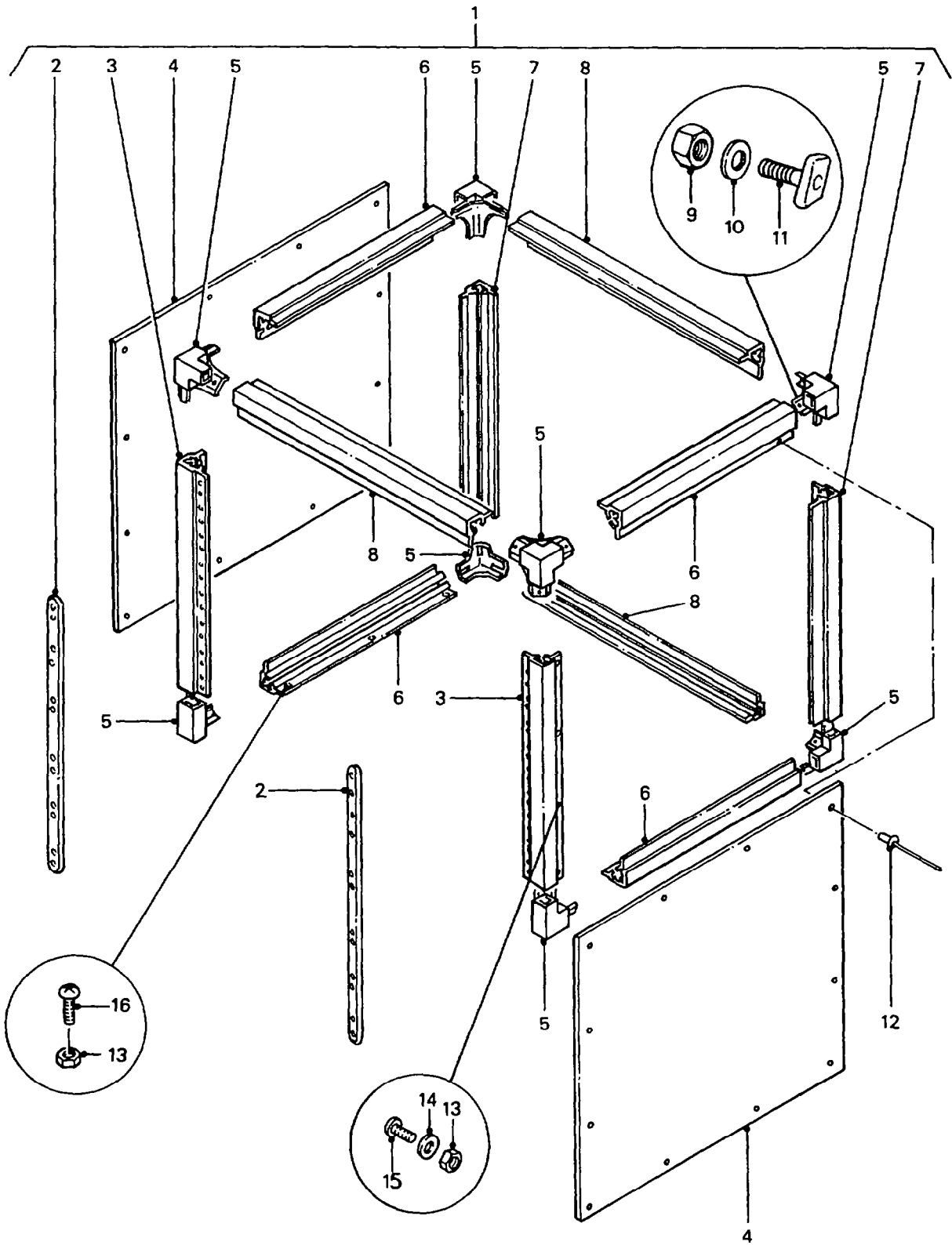
**ELECTRICAL INSTRUMENT STOWAGE
RACK ASSEMBLY**

GROUP WFJ

TITLE ELECTRICAL INSTRUMENT STOWAGE RACK ASSEMBLY

ITEM NO	DESIGNATION	NSN MANUFACTURER CODE/PART NO SUPPLIER CODE/PART NO	NO OFF	U O I	E X P	L* M* H*
001	RACK ASSEMBLY, ELECTRICAL INSTRUMENT STOWAGE. (INCLUDES WFJ 002 TO WFJ 012)	Z4976/720001 Z5394/HYM13	1			
002	STRIP, TAPPED, MILD STEEL, 18 HOLES, 6 MM DIA. THREAD, 387 MM LG., 12.7 MM W., 4.7 MM THK. (ALSO PART OF WFJ 001)	Z4976/720005 Z4976/720005	2			
003	MEMBER, RACK, SIDE, FRONT, VERTICAL, PRE-DRILLED, 430 MM LG., ALUMINIUM (ALSO PART OF WFJ 001)	Z4976/720003 Z4976/720003	2			
004	PANEL, RACK, SIDE, 2 MM THK., 430 MM BY 460 MM, 304-NO.4. FINISH, PVC COVERED, STAINLESS STEEL. (ALSO PART OF WFJ 001)	Z4976/720006 Z4976/720006	2			
005	KEG, RACK, CORNER, 90 DEG., 3 LEGS, 3 BY 5 MM DIA. HOLES, STEEL. (USE WFJ 001)	/NIL /NIL	8			
006	MEMBER, RACK, SIDE UPPER AND LOWER, HORIZONTAL, 405 MM LG., ALUMINIUM. (ALSO PART OF WFJ 001)	Z4976/720002 Z4976/720002	4			
007	MEMBER, RACK, SIDE, REAR, VERTICAL, 437 MM LG., ALUMINIUM. (ALSO PART OF WFJ 001)	Z4976/720004 Z4976/720004	2			
008	MEMBER, RACK, REAR UPPER AND LOWER, FRONT UPPER, HORIZONTAL, 458 MM LG., ALUMINIUM. (ALSO PART OF WFJ 001)	Z4976/720088 Z4976/720088	3			
009	NUT, HEX., 5 MM DIA. THD., MILD STEEL, ZINC PLATED. (ALSO PART OF WFJ 001)	U1030/NH105041 Z5394/NH105041	22			
010	WASHER, FLAT, LARGE O.D., NORMAL THK, 5 MM I.D., ZINC PLATED. (ALSO PART OF WFJ 001)	U1030/WC105001 Z5394/WC105001	22			

* GRADE OF REPAIR (LIGHT MEDIUM OR HEAVY)



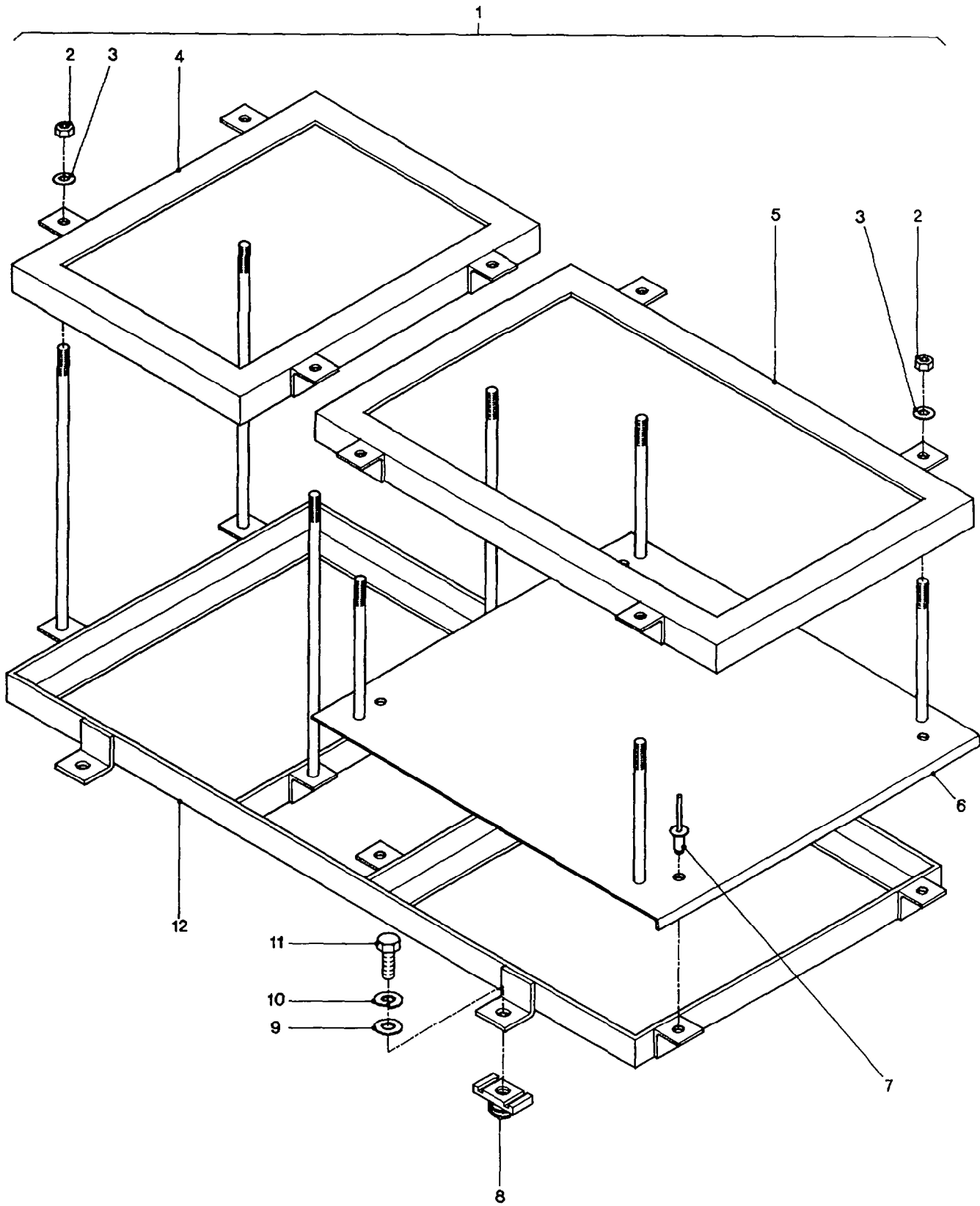
**ELECTRICAL INSTRUMENT STOWAGE
RACK ASSEMBLY**

GROUP WFJ

TITLE ELECTRICAL INSTRUMENT STOWAGE RACK ASSEMBLY

ITEM NO	DESIGNATION	NSN MANUFACTURER CODE/PART NO SUPPLIER CODE/PART NO	NO OFF	U O	E X	L*
011	BOLT, FLAT RECTANGULAR HD., 5 MM DIA. THD., 14 MM LG., MILD STEEL, ZINC PLATED. (ALSO PART OF WFJ 001)	Z5394/HYM50 Z5394/HYM50	22			
012	RIVET, POP, 3.2 MM DIA., 13 MM LG., ALUMINIUM. (ALSO PART OF WFJ 001)	Z0549/73AS46 Z5394/HYL9927	24			
013	NUT, SELF-LOCKING, HEXAGON	U1030/NY106041 Z5394/NY106041	7			
014	WASHER, FLAT, RD., STEEL, CAD PLATED AND PASSIVATED, 6 MM BOLT SIZE, 12.50 MM O.D., 1.32 MM THK.	Z5394/WA106001 Z5394/WA106001	4			
015	SCREW, RECESSED PAN HD., 6 MM COARSE THD., 40 MM LG., ZINC PLATED.	Z5394/SE106401 Z5394/SE106401	4			
016	SCREW, RECESSED PAN HD., 6 MM COARSE THD., 25 MM LG., ZINC PLATED.	Z5394/SE106251 Z5394/SE106251	3			

* GRADE OF REPAIR (LIGHT MEDIUM OR HEAVY)

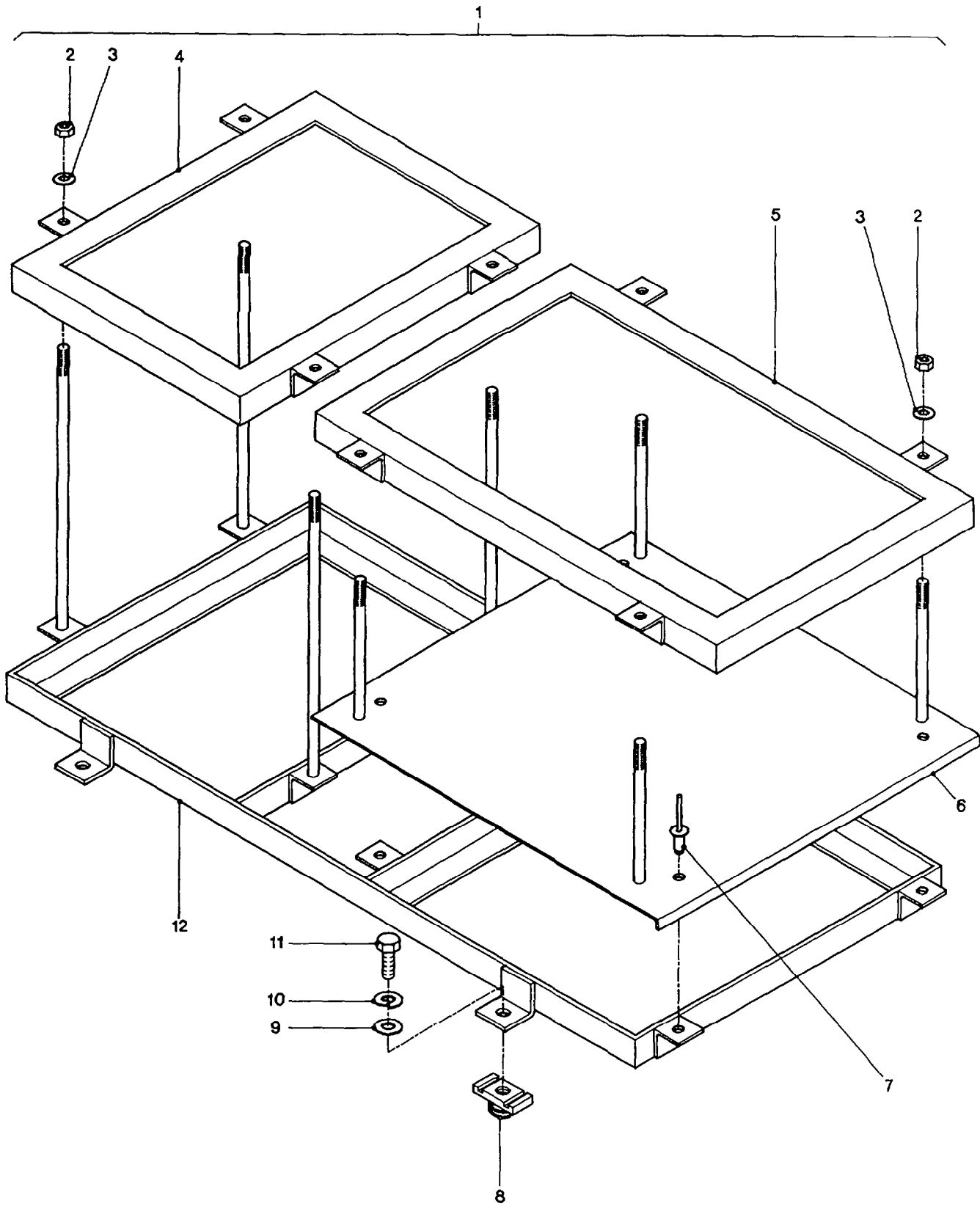


**BATTERY CHARGER AND TRANSFORMER
MOUNTING BRACKET ASSEMBLY**

GROUP WFK
TITLE BATTERY CHARGER AND TRANSFORMER MOUNTING
 BRACKET ASSEMBLY

ITEM NO	DESIGNATION	NSN MANUFACTURER CODE/PART NO SUPPLIER CODE/PART NO	NO OFF	U O	E X	L* M*
001	BRACKET ASSEMBLY, TRANSFORMER AND BATTERY CHARGER MOUNTING, 25 MM BY 25 MM, RIGHT ANGLE, 3 MM THK., STEEL, GALVANISED. (INCLUDES WFK 002 TO WFK 007AND WFK 012)	Z4976/720318 Z4976/720318	1			
002	NUT, HEX., NYLON INSERT, 6 MM COARSE THD., MEDIUM TENSILE STEEL, ZINC PLATED.	ZOF88/02093604 ZOF88/02093604	8			
003	WASHER, FLAT, M6, 12.5 MM O.D., 1.6 MM THK., STEEL, ZINC PLATED.	ZOF88/05038806 ZOF88/05038806	8			
004	BRACKET, TRANSFORMER, UPPER, 25 MM BY 25 MM, RIGHT ANGLE, 3 MM THK., STEEL, GALVANISED. (ALSO PART OF WFK 001)	Z4976/720322 Z4976/720322	1			
005	BRACKET, BATTERY CHARGER MOUNTING, UPPER, 25 MM BY 25 MM, RIGHT ANGLE, 334 MM LG., 210 MM W., 2 MM THK., STEEL, GALVANISED (ALSO PART OF WFK 001)	Z4976/720323 Z4976/720323	1			
006	INSERT, BATTERY CHARGER BASE, 25 MM BY 25 MM, RIGHT ANGLE, 334 MM LG., 210 MM W., 2 MM THK., STEEL, GALVANISED. (ALSO PART OF WFK 001)	Z4976/720321 Z4976/720321	1			
007	RIVET, POP, 4.8 MM DIA., 13 MM LG., ALUMINIUM (ALSO PART OF WFK 001)	ZOF88/01155006 ZOF88/01155006	4			
008	NUT, COMPLETE WITH SPRING, 10 MM COARSE THD., 34 MM LG., 20 MM W., 8 MM THK., STEEL, ZINC PLATED.	ZA231/P4008M10 ZA231/P4008M10	4			
009	WASHER, FLAT, 11 MM I.D., 1.6 MM THK., STEEL, ZINC PLATED.	ZOF88/05348709 ZOF88/05348709	4			
010	WASHER, LOCK, 10 MM I.D., SINGLE COIL, SQUARE SECTION, ZINC PLATED.	Z5394/WM110001 Z5394/WM110001	4			

* GRADE OF REPAIR (LIGHT MEDIUM OR HEAVY)

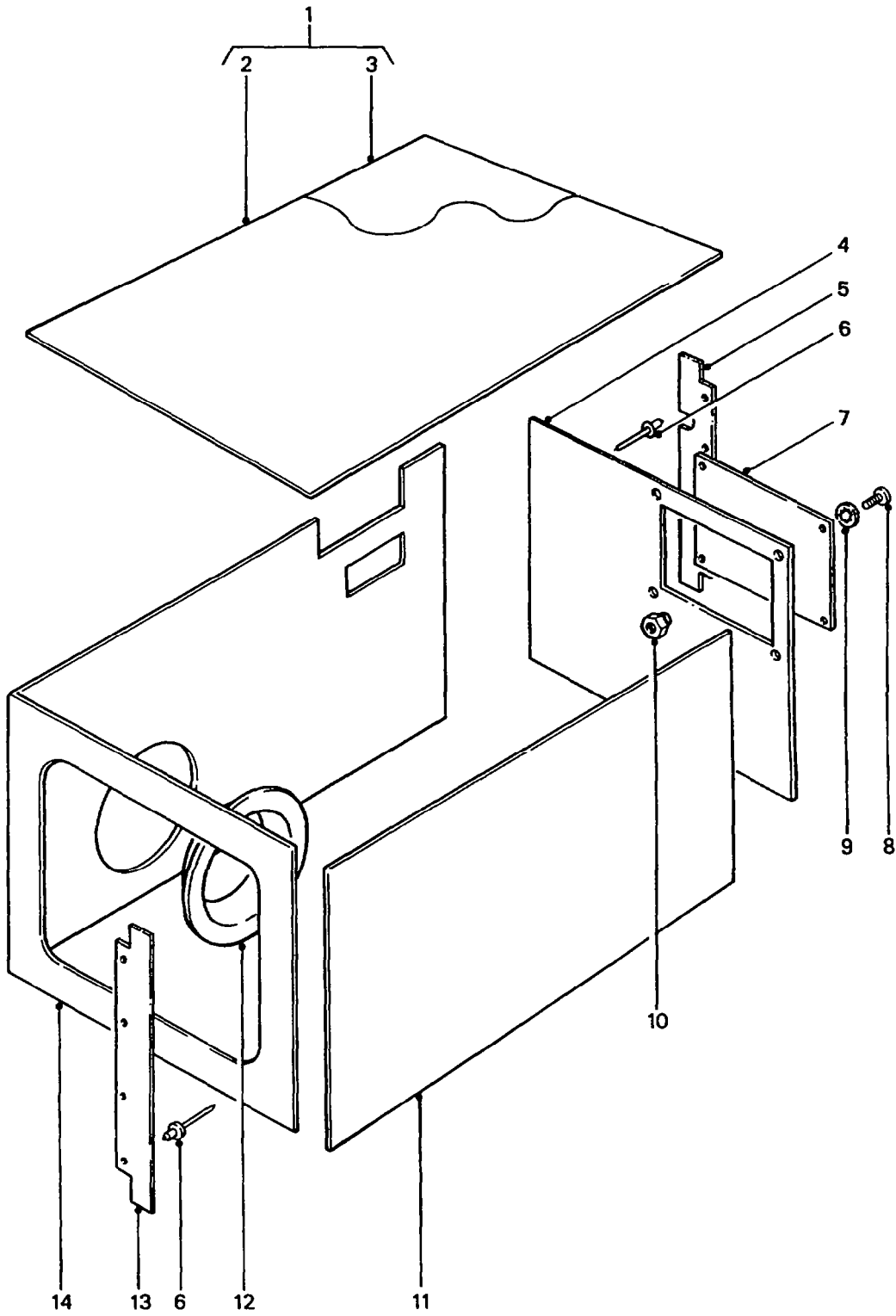


**BATTERY CHARGER AND TRANSFORMER
MOUNTING BRACKET ASSEMBLY**

GROUP WFK
TITLE BATTERY CHARGER AND TRANSFORMER MOUNTING
 BRACKET ASSEMBLY

ITEM NO	DESIGNATION	NSN MANUFACTURER CODE/PART NO SUPPLIER CODE/PART NO	NO OFF	U I	E P	L* M* H*
011	SCREW, HEX. HD., M10, 20 MM LG., 1.5 MM PITCH, STEEL, ZINC PLATED.	/NIL /NIL	4			
012	BASE, TRANSFORMER AND BATTERY CHARGER MOUNTING, 25 MM BY 25 MM, RIGHT ANGLE, 3 MM THK., STEEL, GALVANISED (ALSO PART OF WFK 001)	Z4976/720324 Z4976/720324	1			

* GRADE OF REPAIR (LIGHT MEDIUM OR HEAVY)



**EXTERIOR LOCKER ACCESS PANEL,
INSULATION AND VENT**

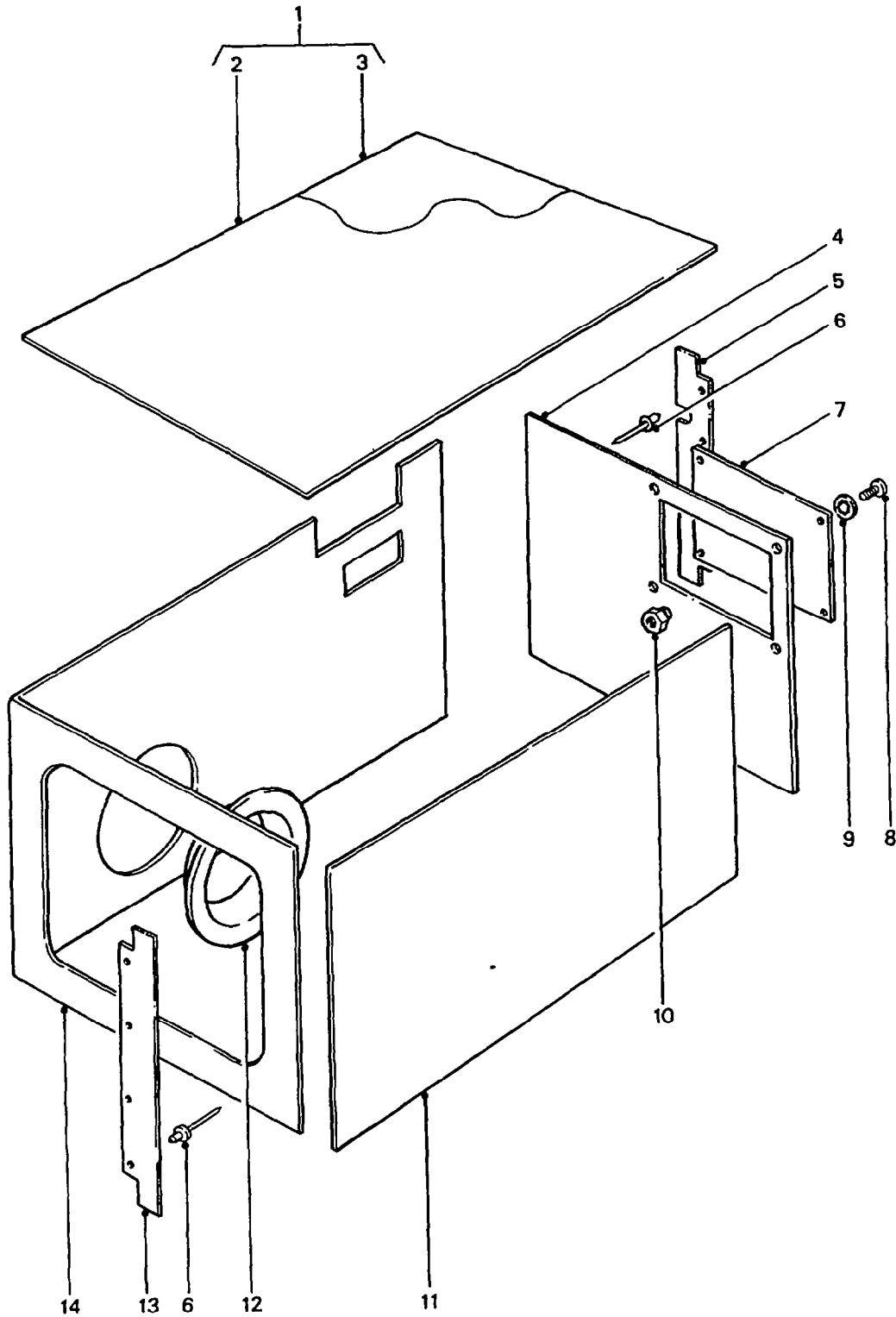
GROUP WFL

TITLE EXTERIOR LOCKER ACCESS PANEL, INSULATION AND VENT

ITEM NO	DESIGNATION	NSN MANUFACTURER CODE/PART NO SUPPLIER CODE/PART NO	NO OFF	U O	E X	L* M*
				T	P	H*
001	SHEET ASSEMBLY, INSULATION, EXTERIOR LOCKER, AIR CONDITIONER, TOP, 580 MM LG., 415 MM W. (INCLUDES WFL 002 AND WFL 003)	Z4976/720198 Z4976/720198	1			
002	SHEET, VINYL, PERFORATED, 580 MM LG., 415 MM W. (USE WFL 001 OR MANUFACTURE FROM WFL 907)	/NIL /NIL	1			
003	SHEET, INSULATION, EXTERIOR LOCKER, AIR CONDITIONER. (USE WFL 001 OR MANUFACTURE FROM WFL 908)	/NIL /NIL	1			
004	SHEET, ASSEMBLY, INSULATION, EXTERIOR LOCKER, AIR CONDITIONER, ACCESS PANEL, 580 MM LG., 535 MM W. (INCLUDES WFL 901 AND WFL 902)	Z4976/720197 Z4976/720197	1			
901	SHEET, VINYL, PERFORATED, 580 MM LG., 535 MM W. (USE WFL 004 OR MANUFACTURE FROM WFL 907)	/NIL /NIL	1			
902	SHEET, INSULATION, EXTERIOR LOCKER, 580 MM LG., 535 MM W. (USE WFL 004 OR MANUFACTURE FROM WFL 908)	/NIL /NIL	1			
005	BRACKET, INSULATION SUPPORT, 590 MM LG., 60 MM W., 0.9 MM THK., TIN PLATE, ZINC ANNEALED.	Z4976/720234 Z4976/720234	1			
006	RIVET, POP, 3.2 MM DIA., 13 MM LG., ALUMINIUM.	Z0549/73AS46 Z5394/HYL9927	8			
007	PANEL, ACCESS, EXTERIOR LOCKER, AIR CONDITIONER, 220 MM LG., 220 MM W., 0.9 MM THK., ZINC ANNEALED.	Z4976/720204 Z4976/720204	1			
008	SCREW, MACHINE, 6 MM BY 12 MM LG.	U1030/SE106121 Z5394/SE106121	4			

ISSUE NO: 1 REPAIR PARTS SCALE : 02222 PAGE NO: 110

* GRADE OF REPAIR (LIGHT MEDIUM OR HEAVY)



**EXTERIOR LOCKER ACCESS PANEL,
INSULATION AND VENT**

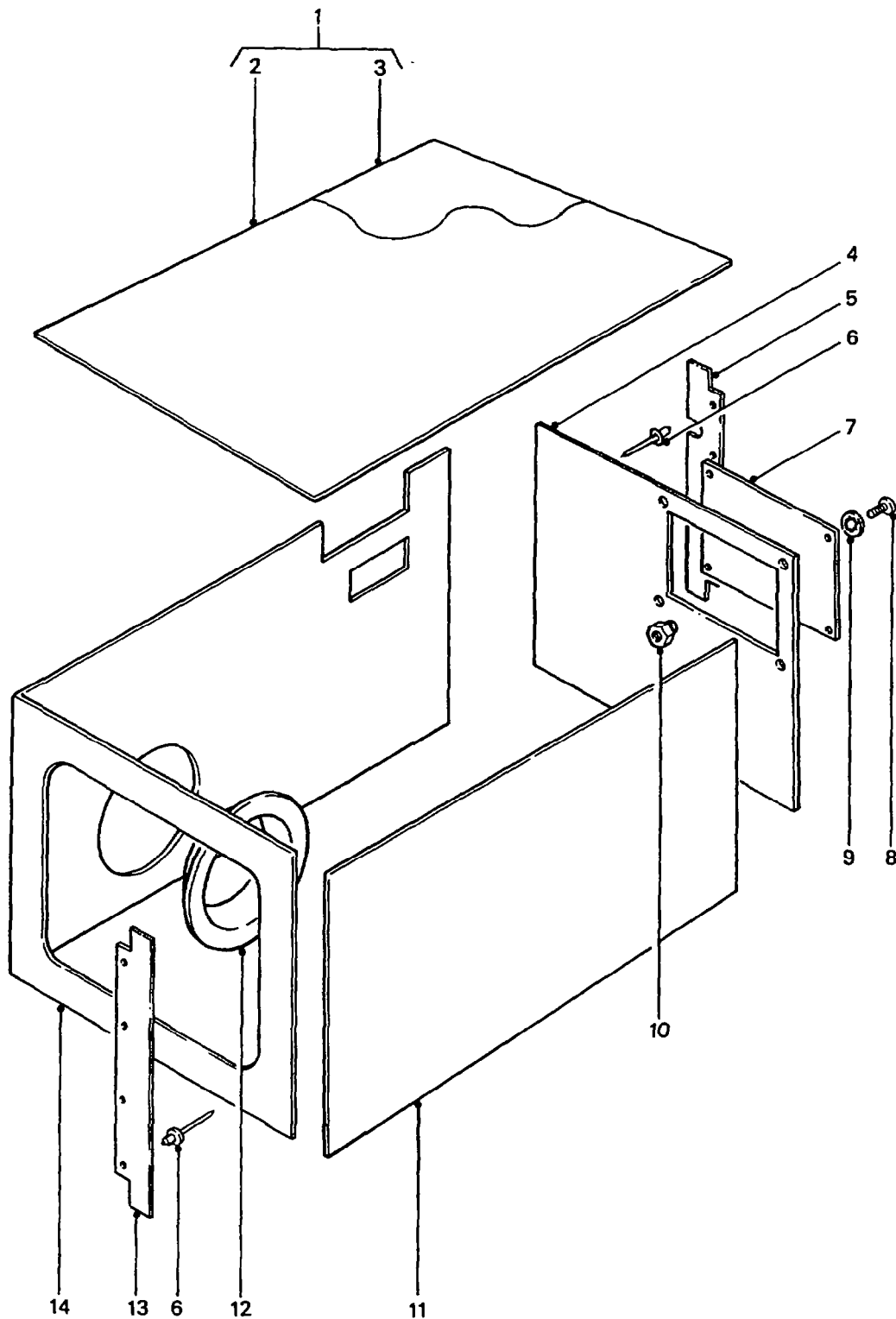
GROUP WFL

TITLE EXTERIOR LOCKER ACCESS PANEL, INSULATION AND VENT

ITEM NO	DESIGNATION	NSN MANUFACTURER CODE/PART NO SUPPLIER CODE/PART NO	NO	U	E	L*
			OFF	O	X	M*
				I	P	H*
009	WASHER, INTERNAL TEETH, 6 MM I.D., ZINC PLATED.	Z5394/WF106001 Z5394/WF106001	4			
010	NUT, ROOT, HEX., MACHINED, 8 MM DIA., ZINC PLATED.	Z5394/HYM59 Z5394/9AJANR8	4			
011	SHEET, ASSEMBLY, INSULATION, EXTERIOR LOCKER, AIR CONDITIONER, REAR, 555 MM LG., 460 MM W. (INCLUDES WFL 903 AND WFL 904)	Z4976/720196 Z4976/720196	1			
903	SHEET, VINYL, PERFORATED, 555 MM LG., 460 MM W. (USE WFL 011 OR MANUFACTURE FROM WFL 907)	/NIL /NIL	1			
904	SHEET, INSULATION, EXTERIOR LOCKER, 555 MM LG., 460 MM W. (USE WFL 011 OR MANUFACTURE FROM WFL 908)	/NIL /NIL	1			
012	VENT, AIR CONDITIONER LOCKER, 5 IN. I.D., SPUN ALUMINIUM.	Z5394/HYM60 Z5394/HYM60	1			
013	BRACKET, INSULATION SUPPORT, 590 MM LG., 100 MM W., 0.9 MM THK., TIN PLATE ZINC ANNEALED.	Z4976/720235 Z4976/720235	1			
014	SHEET ASSEMBLY, INSULATION, EXTERIOR LOCKER, AIR CONDITIONER, FRONT AND SIDE, 1120 MM LG., 600 MM W. (INCLUDES WFL 905 AND WFL 906)	Z4976/720195 Z4976/720195	1			
905	SHEET, VINYL, PERFORATED, 1120 MM LG., 600 MM W. (USE WFL 014 OR MANUFACTURE FROM WFL 907)	/NIL /NIL	1			
906	SHEET, INSULATION, EXTERIOR LOCKER, 1120 MM LG., 600 MM W. (USE WFL 014 OR MANUFACTURE FROM WFL 908)	/NIL /NIL	1			

ISSUE NO: 1 REPAIR PARTS SCALE : 02222 PAGE NO: 111

* GRADE OF REPAIR (LIGHT MEDIUM OR HEAVY)



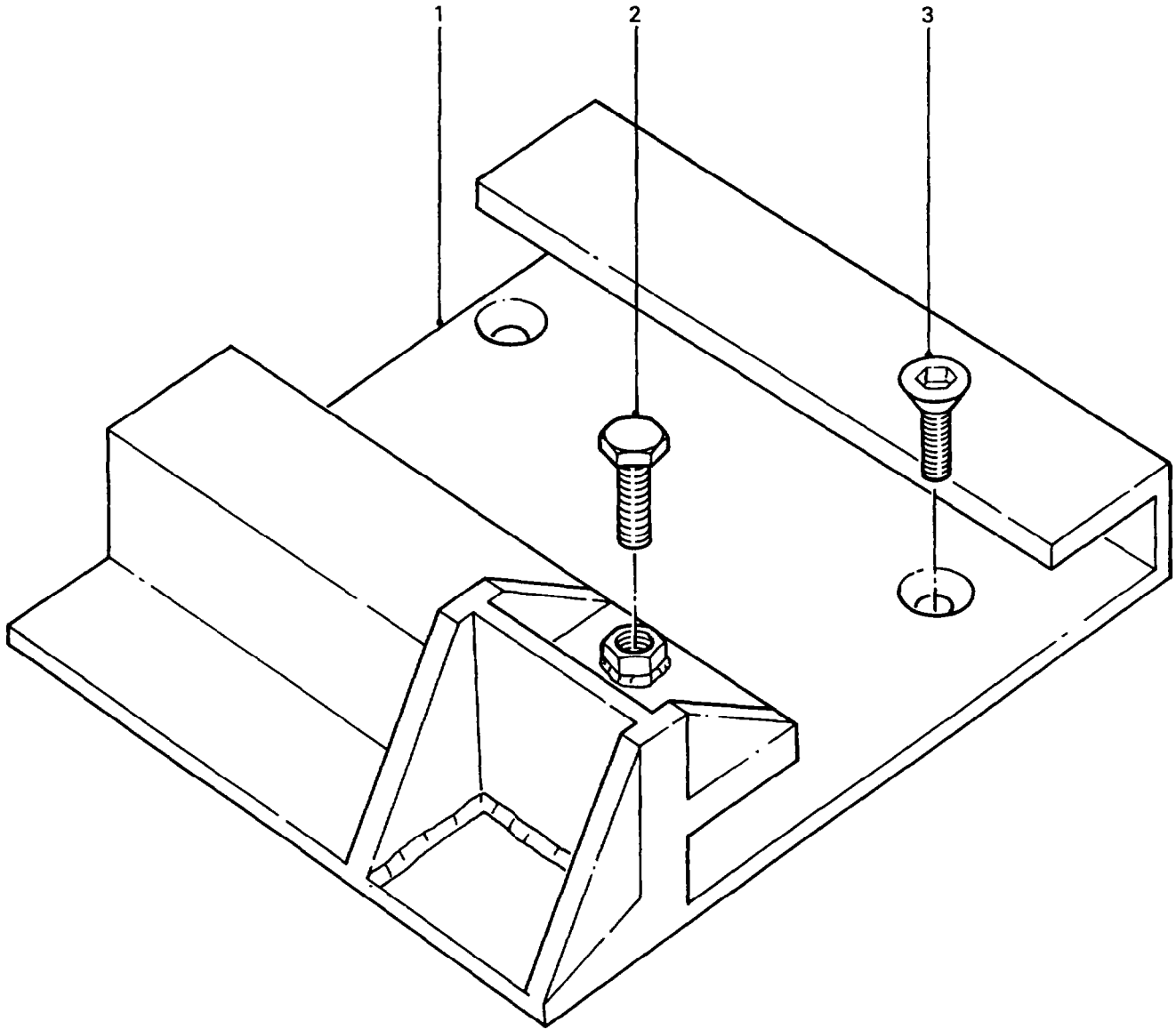
**EXTERIOR LOCKER ACCESS PANEL,
INSULATION AND VENT**

GROUP WFL

TITLE EXTERIOR LOCKER ACCESS PANEL, INSULATION AND VENT

ITEM NO	DESIGNATION	NSN MANUFACTURER CODE/PART NO SUPPLIER CODE/PART NO	NO OFF	U O I	E X P	L* M* H*
907	VINYL, SOUNDFOAM, 11 M BULK LG., PERFORATED, BUFF. (USE AS REQUIRED)	Z1491/VAF13 Z1491/VAF13	1			
908	SHEET, INSULATION, WAVEBAR, 10 M BULK LG. (USE AS REQUIRED)	Z1491/H/14/4000 Z1491/H/14/4000	1			

* GRADE OF REPAIR (LIGHT MEDIUM OR HEAVY)

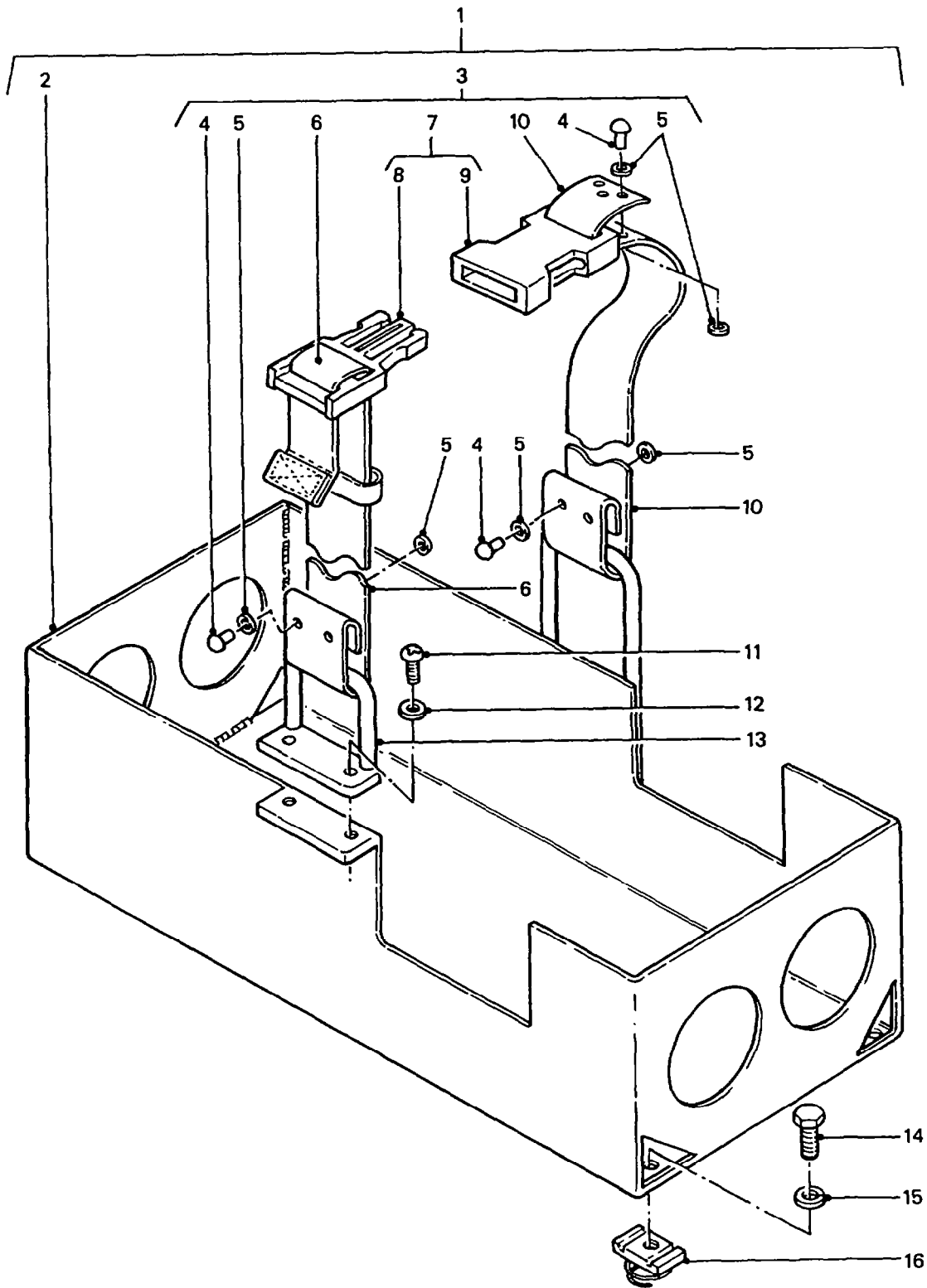


VICE HOLD - DOWN BRACKET

GROUP WFM
TITLE VICE HOLD-DOWN BRACKET

ITEM NO	DESIGNATION	NSN MANUFACTURER CODE/PART NO SUPPLIER CODE/PART NO	NO OFF	U O	E X	L* M*
001	BRACKET, VICE HOLD-DOWN, WELDED.	ZC691/720019 Z5394/HYL9989	1			
002	BOLT, HEX. HD., 10 MM DIA., 25 M LG., 1.25 MM PITCH, ZINC PLATED.	U1030/BH110051 Z5394/BH110051	1			
003	SCREW, HEX., SOCKET HD., COUNTERSUNK, 8 MM DIA., 40 MM LG., COARSE THD., NATURAL FINISH.	U1030/SJ108400 Z5394/SJ108400	4			

* GRADE OF REPAIR (LIGHT MEDIUM OR HEAVY)

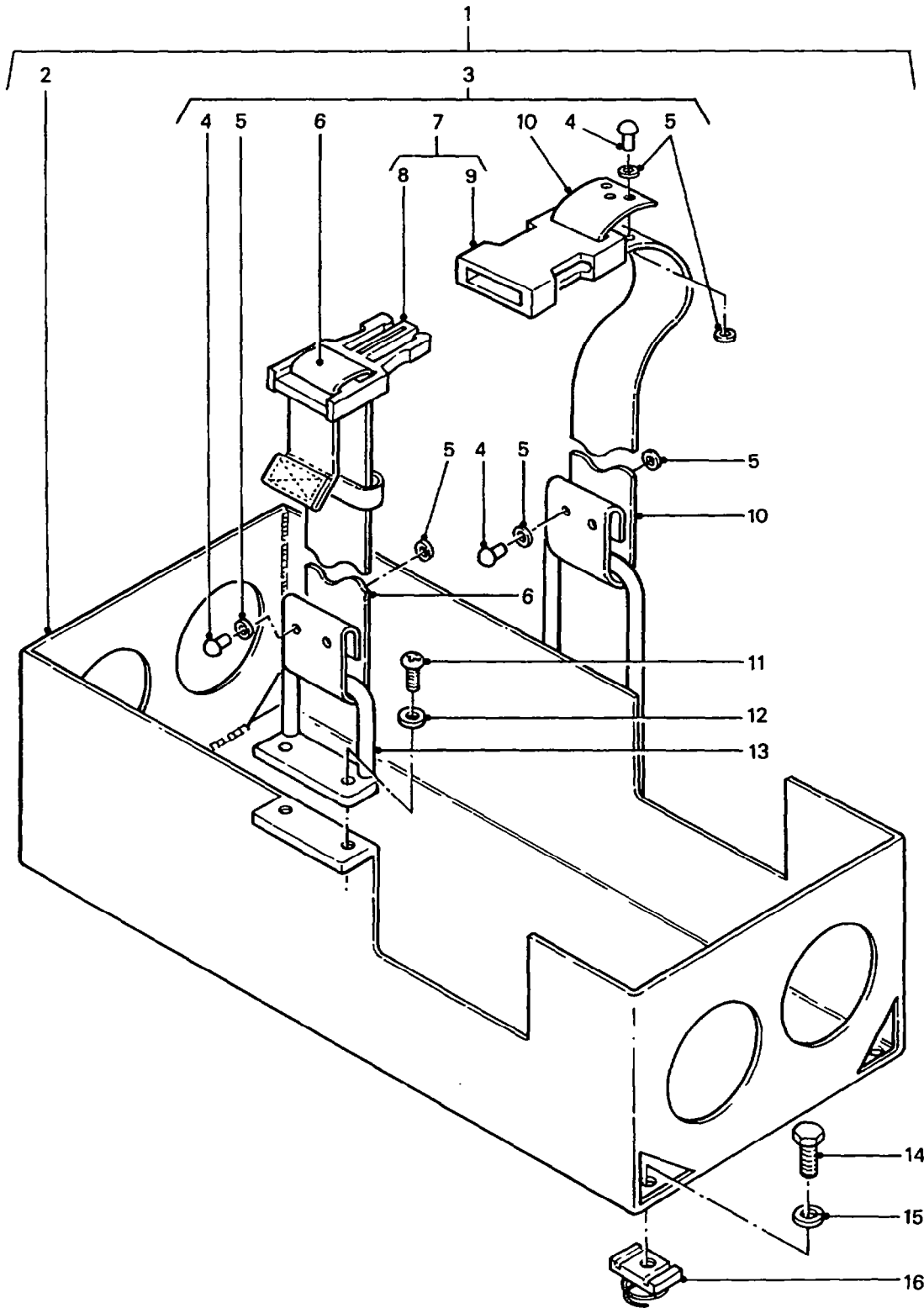


JERRICAN STORAGE TRAY ASSEMBLY A

GROUP WFN
TITLE JERRICAN STOWAGE TRAY ASSEMBLY

ITEM NO	DESIGNATION	NSN MANUFACTURER CODE/PART NO SUPPLIER CODE/PART NO	NO OFF	U O	E X	L* M*
				I	P	H*
001	BIN ASSEMBLY, JERRICAN STOWAGE. (INCLUDES WFN 002 TO WFN 013)	Z4976/720035 Z5394/HYM11	2			
002	BIN, JERRICAN STOWAGE. (USE WFN 001)	/NIL /NIL	1			
003	STRAP, ASSEMBLY, JERRICAN STOWAGE. (ICLUDES WFN 004 TO WFN 010, ALSO PART OF WFN 001)	Z4976/720162 Z5394/HYM9	1			
004	RIVET, SEMI-TUBULAR, OVAL HEAD, 5 MM DIA., 7 MM LG., ZINC PLATED. (ALSO PART OF WFN 003)	Z5394/RT110077 Z5394/HYM10	7			
005	WASHER, FLAT, RD, STEEL, CAD PLATED AND PASSIVATED, 5 MM, 10 MM O.D., 1.10 MM THK. (ALSO PART OF WFN 003)	Z5394/WA105001 Z5394/WA105001	14			
006	STRAP, MALE CATCH, WEBBING, 2 MM THK., 50 MM W., 750 MM LG., POLYESTER. (USE WFN 003, MANUFACTURED FROM WFN 901)	/NIL /NIL	1			
007	CATCH ASSEMBLY, FASTEX, 50 MM W., BLACK PLASTIC. (INCLUDES WFN 008 AND WFN 009, ALSO PART OF WFN 003)	Z2665/SR50 Z2665/SR50	1			
008	CATCH, MALE, FASTEX, 50 MM W., BLACK PLASTIC. (USE WFN 007)	/NIL /NIL	1			
009	CATCH, FEMALE, FASTEX, 50 MM W., BLACK PLASTIC. (USE WFN 007)	/NIL /NIL	1			
010	STRAP, FEMALE CATCH, WEBBING, 100 MM LG., 50 MM W., 2 MM THK., POLYESTER (MANUFACTURE FROM WFN 901)	/NIL /NIL	1			
011	SCREW, MACHINE, 6 MM BY 12 MM LG. (ALSO PART OF WFN 001)	U1030/SE106121 Z5394/SE106121	2			

* GRADE OF REPAIR (LIGHT MEDIUM OR HEAVY)

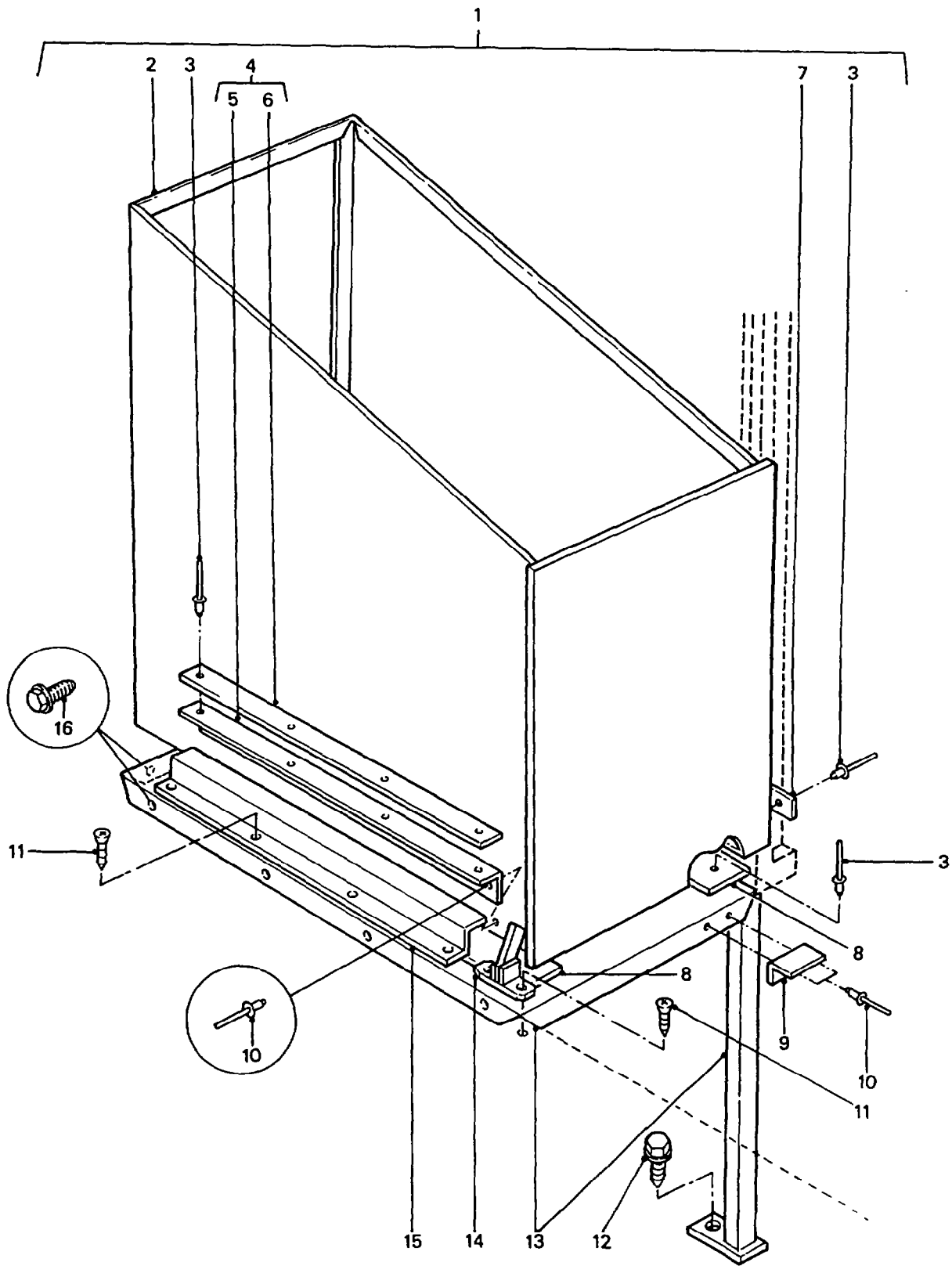


JERRICAN STORAGE TRAY ASSEMBLY A

GROUP WFN
TITLE JERRICAN STOWAGE TRAY ASSEMBLY

ITEM NO	DESIGNATION	NSN MANUFACTURER CODE/PART NO SUPPLIER CODE/PART NO	NO OFF	U I	E P	L* M* H*
012	WASHER, LOCK, STEEL, SHAKEPROOF, ZINC COATED, INTERNAL TYPE, 6 MM (ALSO PART OF WFN 001)	Z5394/WA106001 Z5394/WA106001	2			
013	BRACKET, STRAP RETENTION, MILD STEEL, 6 MM THK., 40 MM W., 90 MM LG., 8 MM DIA. BAR. (ALSO PART OF WFN 001)	Z4976/720163 Z5394/HYM12	1			
014	SCREW, MACHINE, ISO METRIC, 6G, STEEL, HEX. HD., ZINC PLATED, 10 MM DIA., 1.50 MM PITCH, 20 MM LG.	U1030/SH110201 Z5394/SH110201	4			
015	WASHER, LOCK, SINGLE COIL, SQUARE SECTION, 10 MM I.D., ZINC PLATED.	Z5394/WM110001 Z5394/WM110001	4			
016	NUT, COMPLETE WITH SPRING, 34 MM LG., 20 MM W., 8 MM THK., 10 MM COARSE THD., ALUMINIUM.	ZA231/P4008M10 Z5394/HYL9967	4			
901	STRAP, WEBBING, 50 MM W., 2 MM THK., 100 MM BULK LG., POLYESTER. (USE AS REQUIRED)	Z2665/2499 Z2665/2499	1			

* GRADE OF REPAIR (LIGHT MEDIUM OR HEAVY)

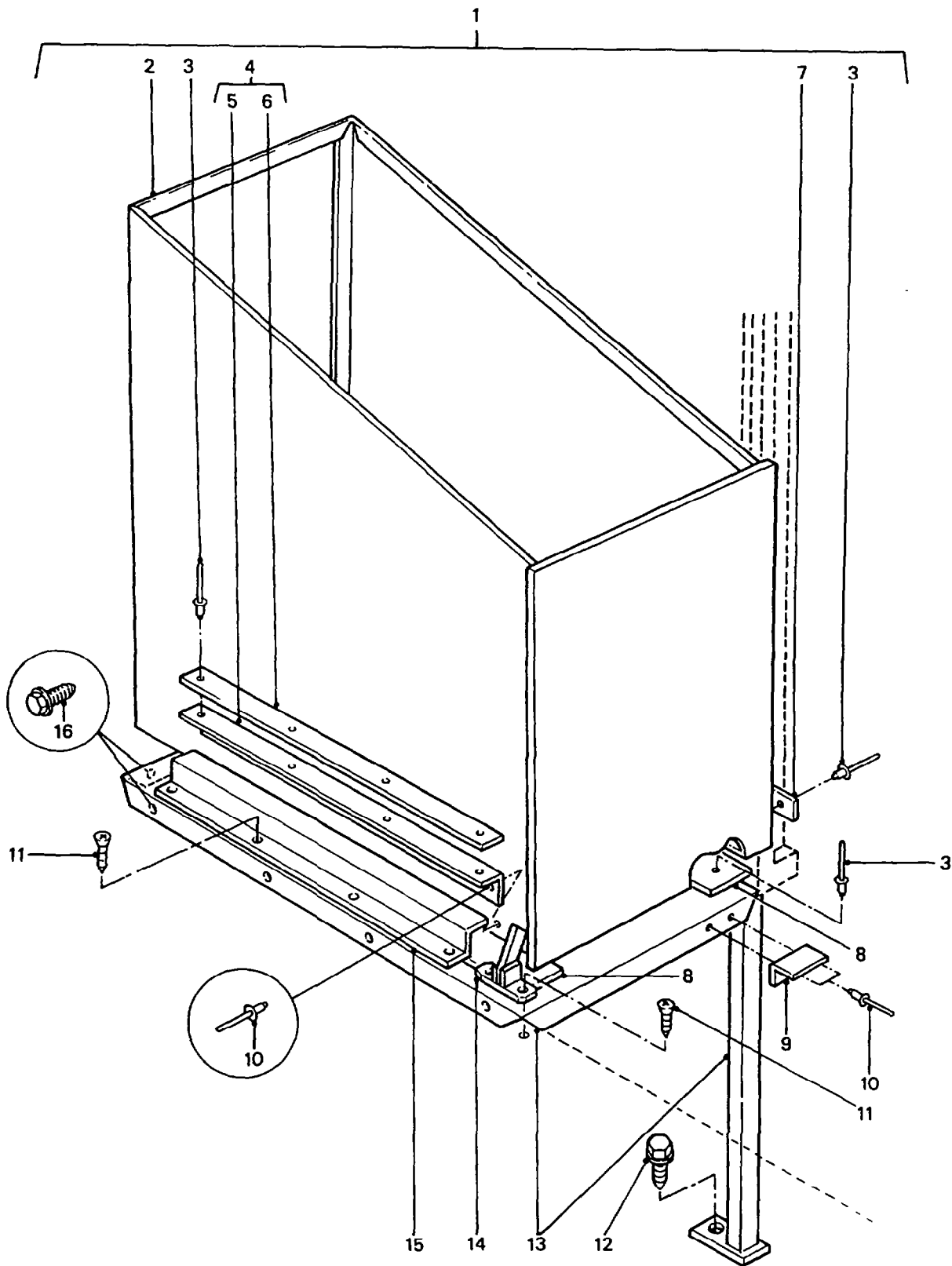


**ELECTRICAL LEAD STOWAGE
BIN ASSEMBLY**

GROUP WFP
TITLE ELECTRICAL LEAD STOWAGE BIN ASSEMBLY

ITEM NO	DESIGNATION	NSN MANUFACTURER CODE/PART NO SUPPLIER CODE/PART NO	NO OFF	U	E	L*
				O	X	M*
				I	P	H*
001	BIN ASSEMBLY, ELECCTRICAL LEAD STOWAGE. (INCLUDES WFP 002 TO WFP 007)	Z4976/720152 Z5394/HYM102	1			
002	BIN, ELECTRICAL LEAD STOWAGE. (ALSO PART OF WFP 001)	Z4976/720074 Z4976/720074	1			
003	RIVET, POP, 3.2 MM DIA., 13 MM LG., ALUMINIUM (ALSO PART OF WFP 001 - 8 OFF)	Z0549/73AS46 Z5394/HYL9927	16			
004	RUNNER ASSEMBLY, BIN SLIDE. (INCLUDES WFP 005 AND WFP 006, ALSO PART OF WFP 001)	Z4976/720229 Z5394/HYM104	1			
005	RUNNER, BIN SLIDE, 25 MM BY 25 MM, 90 DEG. ANGLE, 3 MM THK., 350 MM LG., STEEL. (ALSO PART OF WFP 004, MANUFACTURED FROM WFP 901)	Z4976/720155 Z4976/720155	1			
006	STRIP, RUNNER, ANTI-FRICTION, RALLOY, 3 MM THK., 25 MM W., 350 MM LG. (ALSO PART OF WFP 004, MANUFACTURED FROM WFP 902)	Z4976/720154 Z5394/HYM103	1			
007	STRIP, ANTI-FRICTION, RALLOY, 3 MM THK., 350 MM LG., 15 MM W. (ALSO PART OF WFP 001, MANUFACTURED FROM WFP 902)	Z4976/720153 Z5394/HYM105	1			
008	STRIP, ANTI-FRICTION, RALLOY, 3 MM THK., 350 MM LG., 35 MM W. (MANUFACTURED FROM WFP 902)	Z4976/720156 Z5394/HYM106	2			
009	BRACKET, BIN RETENTION, 3.2 MM THK., 15 MM BY 15 MM, 80 MM LG., STEEL.	Z4976/720164 Z5394/HYM107	1			
010	RIVET, POP, 4.8 MM DIA., 13 MM LG., ALUMINIUM	Z0549/73AS65 Z5394/HYL9945	5			
011	SCREW, RECESSED COUNTERSUNK HD., SELF-TAPPING, POINTED, 8 GAUGE, 25 MM LG., ZINC PLATED.	Z5394/AC108251 Z5394/HYL9991	6			

* GRADE OF REPAIR (LIGHT MEDIUM OR HEAVY)

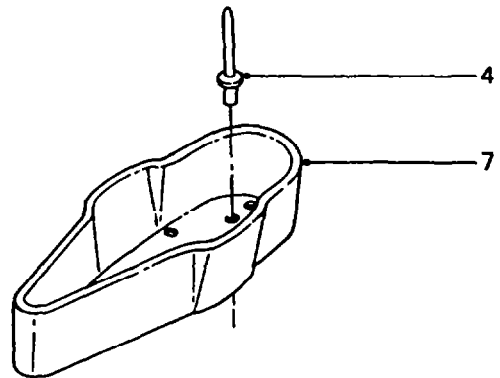
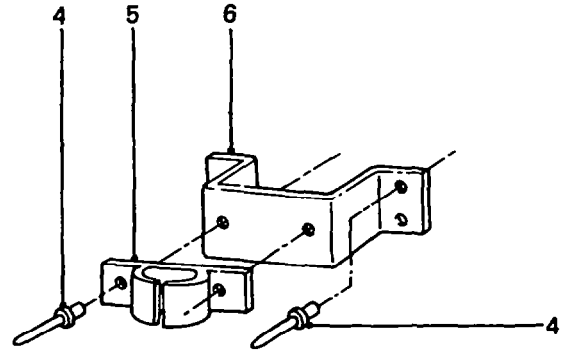
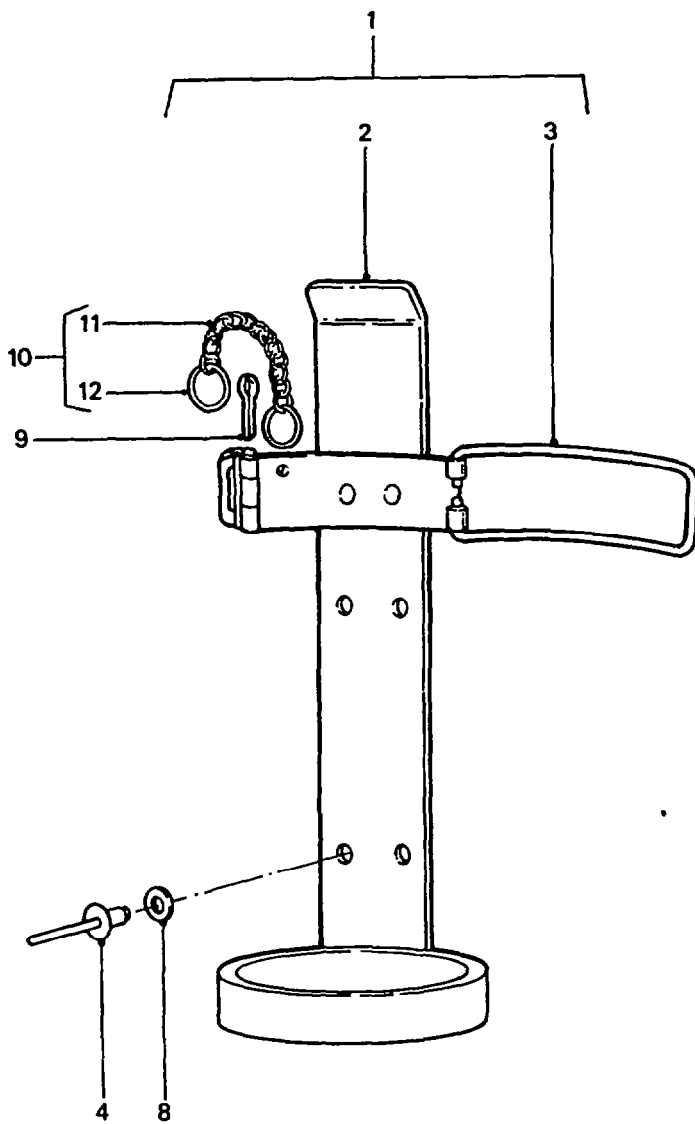


**ELECTRICAL LEAD STOWAGE
BIN ASSEMBLY**

GROUP WFP
TITLE ELECTRICAL LEAD STOWAGE BIN ASSEMBLY

ITEM NO	DESIGNATION	NSN MANUFACTURER CODE/PART NO SUPPLIER CODE/PART NO	NO OFF	U O I P	E X P H*	L* M* H*
012	SCREW, TEKS, SELF DRILLING/ THREADING, POINTED, FLANGED, HEX. HD., 12-14 BY 35 MM LG. CADIUM PLATED.	Z2665/6311-075-9 Z5394/HYM108	1			
013	BASE, STOWAGE BIN.	Z4976/720076 Z5394/HYM109	1			
014	LOCK, STOWAGE BIN RETENTION.	Z4976/720075 Z5394/HYM110	1			
015	RETAINER, RUNNER, 25 MM BY 25 MM BY 25 MM, 3 MM THK., 350 MM LG., STEEL. (MANUFACTURED FROM WFP 903)	Z4976/720083 Z5394/HYM111	1			
016	SCREW, TEKS, SELF DRILLING/ THREADING, POINTED, FLANGED, HEX. HD., 12-14 BY 20 MM LG., CADMIUM PLATED.	Z2665/6311-0097-4 Z5394/HYM112	6			
901	ANGLE, 90 DEG. STEEL, 25 MM BY 25 MM, 3 MM THK. (ORDER BY DESCRIPTION, USE AS REQUIRED)	/NIL /NIL	1			
902	STRIP, RALLOY, ULTRA AR., ANTI-FRICTION, 3 MM THK., 1.2 M BULK W., 3 M BULK LG. (ORDER BY DESCRIPTION, USE AS REQUIRED)	/NIL /NIL	1			
903	PLATE, STEEL, 70 MM W., 3 MM THK. (ORDER BY DESCRIPTION, USE AS REQUIRED)	/NIL /NIL	1			

* GRADE OF REPAIR (LIGHT MEDIUM OR HEAVY)



FIRE EXTINGUISHER AND WEAPON MOUNTING BRACKETS - MODULE

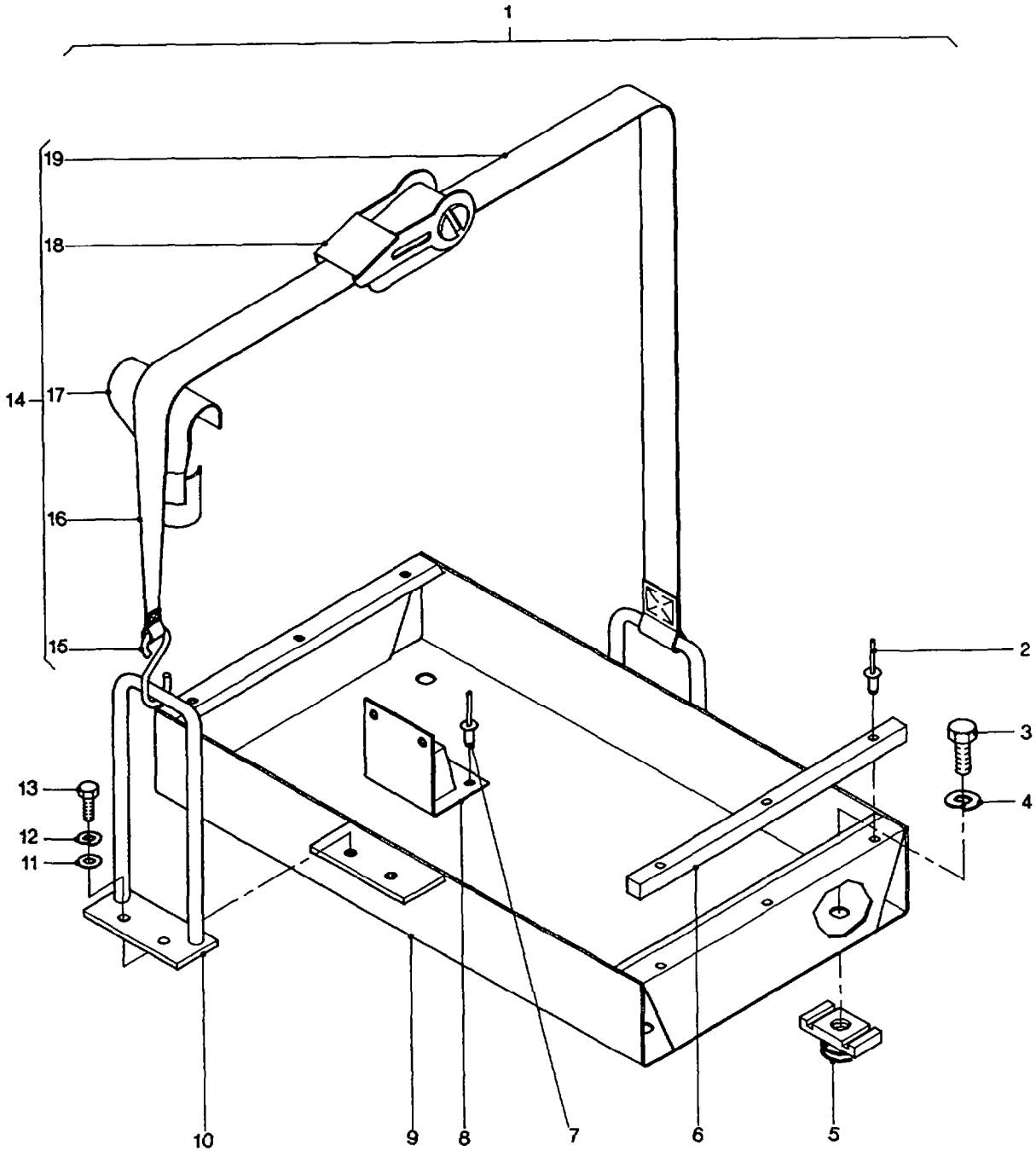
GROUP WFQ

TITLE FIRE EXTINGUISHER AND WEAPON MOUNTING BRACKETS - MODULE

ITEM NO	DESIGNATION	NSN MANUFACTURER CODE/PART NO SUPPLIER CODE/PART NO	NO OFF	U O	E X	L* M* H*
001	BRACKET, FIRE EXTINGUISHER VEHICLE, FOR CHUBB 3.0 KG BCF OR 2.5 KG DCP EXTINGUISHERS (INCLUDES WFQ 002, WFQ 003, WFQ 009 AND WFQ 010)	4210 66-054-8972 Z4003/7.000.2 Z4003/7.000.2	1	EA	X	LMH
002	BRACKET, MOUNTING, FIRE EXTINGUISHER. (USE WFQ 001)	/NIL /NIL	1			
003	CLIP, FIRE EXTINGUISHER. (USE WFQ 001)	/NIL /NIL	1			
004	RIVET, POP, 4.8 MM DIA., 13 MM LG., ALUMINIUM.	Z0549/73AS65 Z5394/HYL9945	10			
005	CLIP, SPRING TENSION PLASTIC, 67 MM LG, 31.5 MM THK, 25.4 MM W, OLIVE DRAB COLOUR	5340 66-128-5508 Z5394/MYH3386 Z5394/MYH3386	1	EA	X	LMH
006	BRACKET, WEAPON MOUNTING CLIP, 75 MM W., 25 MM DEPTH, 20 MM LG. OF FLAT, 0.9 MM THK., STAINLESS STEEL.	Z4976/720180 Z5394/HYM8	1			
007	BOX, BUTT, RIFLE POLYPROPYLENE, 185 MM LG, 51.5 MM D BY 91 MM W	2540 66-128-5542 Z5394/HYG3498 Z5394/HYG3498	1	EA	X	LMH
008	WASHER, FLAT, RD., STEEL, CAD PLATED AND PASSIVATED, 5 MM, 10 MM O.D., 10 MM THK.	Z5394/WA105001 Z5394/WA105001	4			
009	PIN, COTTER, STEEL, PHOSPHATED, 1/8 IN. NO M. DIA., 1-1/4 IN. LG. (ALSO PART OF WFQ 001)	Z5394/PS608101 Z5394/PS608101	1			
010	CHAIN AND RING ASSEMBLY, PIN RETENTION. (INCLUDES WFQ 011 AND WFQ 012, ALSO PART OF WFQ 001)	Z5394/HYG4885 Z5394/HYG4885	1			
011	CHAIN, 150 MM LG., BRASS. (ALSO PART OF WFQ 010)	ZR910/04053008 ZR910/04053008	1			
012	RING, 25 MM DIA., BRASS. (ALSO PART OF WFQ 010)	ZR910/04068909 Z5394/MYH2679	2			

ISSUE NO: 1 REPAIR PARTS SCALE : 02222 PAGE NO: 118

* GRADE OF REPAIR (LIGHT MEDIUM OR HEAVY)

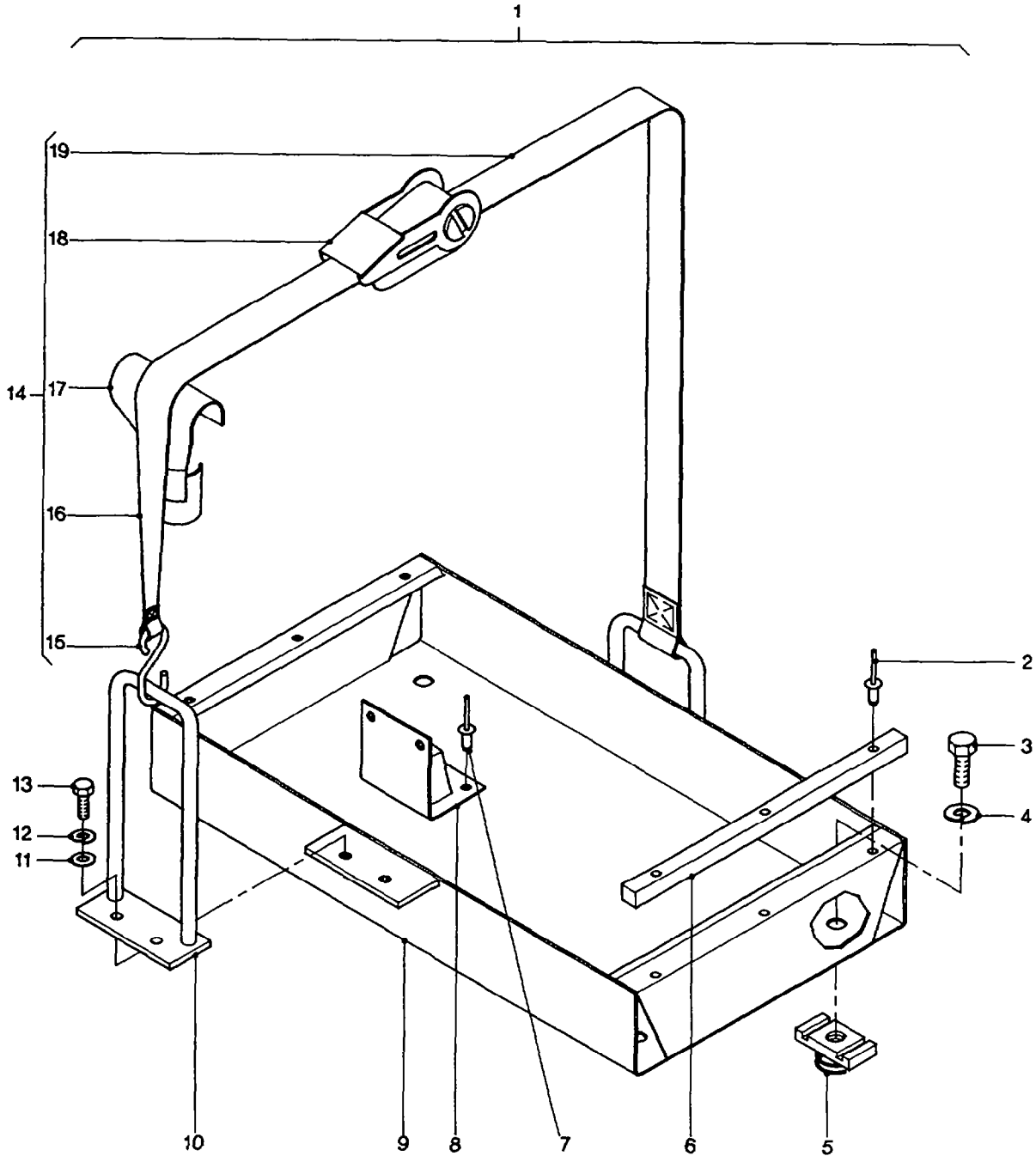


CABLE REEL STORAGE TRAY ASSEMBLY

GROUP WFS
TITLE CABLE REEL STORAGE TRAY ASSEMBLY

ITEM NO	DESIGNATION	NSN MANUFACTURER CODE/PART NO SUPPLIER CODE/PART NO	NO	U	E	L*
			OFF	O	X	M*
			I	P	H	*
001	TRAY ASSEMBLY, CABLE REEL STOWAGE. (INCLUDES WFS 002 TO WFS 019)	Z4976/720328 Z4976/720328	1			
002	RIVET, POP, COUNTERSUNK, 4.8 MM DIA., 16 MM LG., ALUMINIUM. (ALSO PART OF WFS 001)	ZOF88/72AS 6-10 ZOF88/72AS 6-10	6			
003	SCREW, MACHINE, HEX. HD., 10 MM DIA., 20 MM LG., 1.5 MM PITCH, STEEL, GRADE 6 ZINC PLATED (ALSO PART OF WFS 001)	U1030/SH110201 Z5394/SH110201	4			
004	WASHER, LOCK, 10 MM I.D., SINGLE SECTION, SQUARE SECTION, ZINC PLATED. (ALSO PART OF WFS 001)	Z5394/WM110001 Z5394/WM110001	4			
005	NUT, COMPLETE WITH SPRING, 10 MM COARSE THD., 34 MM LG, 20 MM W., 8 MM THK., STEEL, ZINC PLATED, (ALSO PART OF WFS 001)	ZA231/P4008M10 Z5394/HYL9967	4			
006	BLOCK, REEL RUBBING, 10 MM SQUARE, 200 MM LG. (ALSO PART OF WFS 001, MANUFACTURE FROM WFS 901)	Z4976/720334 Z4976/720334	2			
007	RIVET, 3/16 IN. DIA., 1/4 IN. LG., ZINC PLATED (ALSO PART OF WFS 001)	/NIL /NIL	4			
008	BRACKET, CABLE REEL LOCATION, STAINLESS STEEL. (ALSO PART OF WFS 001)	Z4976/720335 Z4976/720335	1			
009	TRAY, CABLE REEL STOWAGE. (ALSO PART OF WFS 001)	Z4976/720329 Z4976/720329	1			
010	BRACKET, STRAP RETENTION, STAINLESS STEEL. (ALSO PART OF WFS 001)	Z4976/720333 Z4976/720333	1			
011	WASHER, FLAT, 6 MM I.D., 12.5 MM O.D., 1.6 MM THK., STEEL, ZINC PLATED. (ALSO PART OF WFS 001)	ZOF88/05348505 ZOF88/05348505	2			

* GRADE OF REPAIR (LIGHT MEDIUM OR HEAVY)

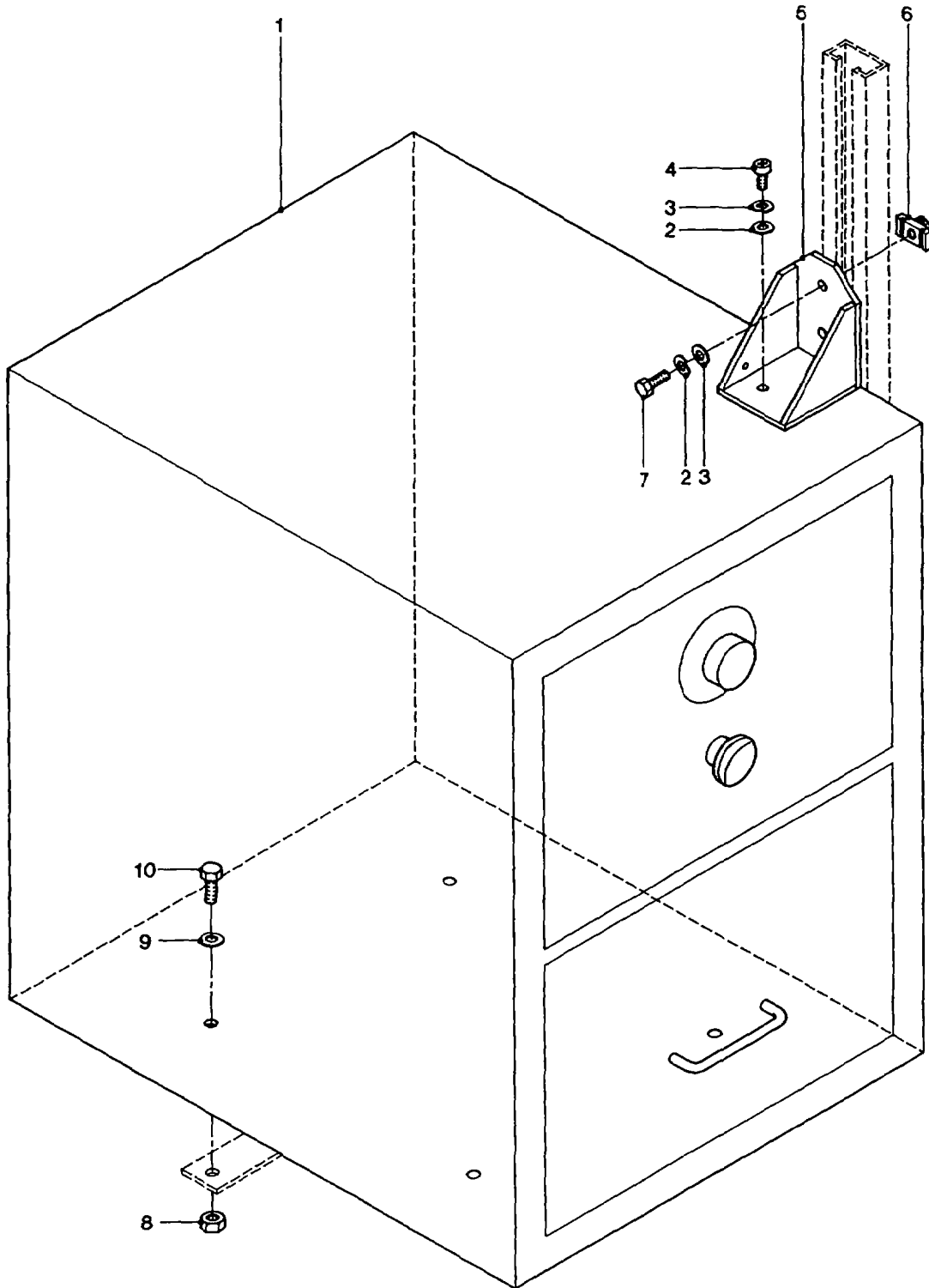


CABLE REEL STORAGE TRAY ASSEMBLY

GROUP WFS
TITLE CABLE REEL STORAGE TRAY ASSEMBLY

ITEM NO.	DESIGNATION	NSN MANUFACTURER CODE/PART NO SUPPLIER CODE/PART NO	NO OFF	U	E	L*
				O	X	M*
				I	P	H*
012	WASHER, LOCK, 8 MM I.D., SINGLE COIL, SQUARE SECTION, ZINC PLATED. (ALSO PART OF WFS 001)	ZOF88/02538208 ZOF88/02538208	2			
013	SCREW, MACHINE, HEX. HD., 6 MM DIA., 15 MM LG., STEEL, ZINC PLATED (ALSO PART OF WFS 001)	ZOF88/02846107 ZOF88/02846107	2			
014	TIEDOWN, CARGO, VEHICLE RATCHET ASSEMBLY, CABLE REEL STOWAGE (INCLUDES WFS 015 TO WFS 019, ALSO PART OF WFS 001)	3990 66-139-2029 Z4976/720330 Z4976/720330	1	EA	X	LMH
015	HOOK, RETAINING STRAP. (USE WFS 014)	/NIL /NIL	1			
016	STRAP, ADJUSTING. (USE WFS 014, ALSO PART OF WFS 001)	/NIL /NIL	1			
017	BRACKET, STRAP LOCATING, STAINLESS STEEL. (ALSO PART OF WFS 001 AND WFS 014)	Z4976/720336 Z4976/720336	1			
018	RATCHET, TIE DOWN. (USE WFS 014)	/NIL /NIL	1			
019	STRAP, TIE DOWN. (USE WFS 014)	/NIL /NIL	1			

* GRADE OF REPAIR (LIGHT MEDIUM OR HEAVY)

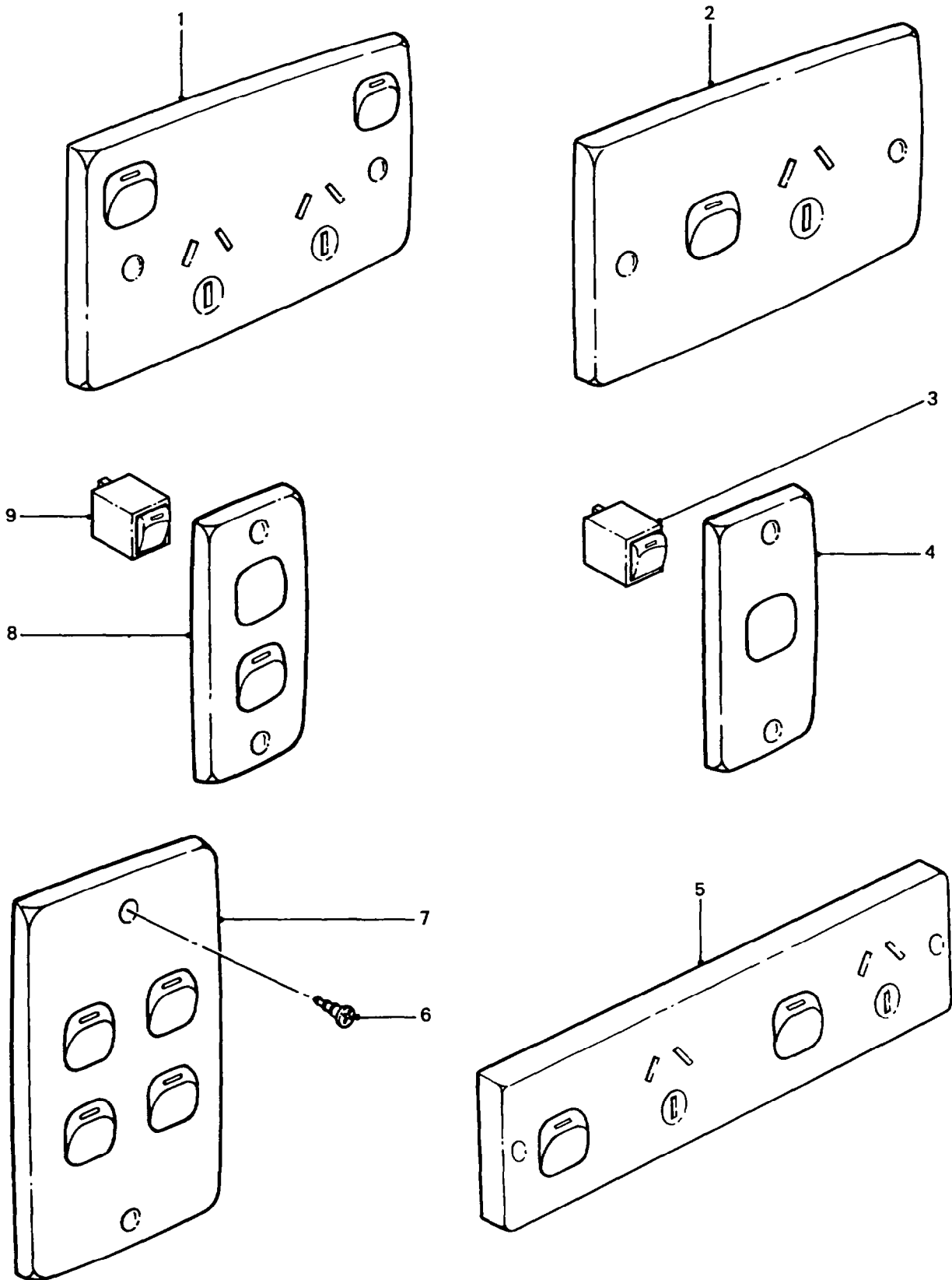


SECURITY FILING CABINET AND MOUNTINGS

GROUP WFT
TITLE SECURITY FILING CABINET AND MOUNTINGS

ITEM NO	DESIGNATION	NSN MANUFACTURER CODE/PART NO SUPPLIER CODE/PART NO	NO OFF	U O	E X	L* M*
001	CABINET, SECURITY FILING, 2 DRAW, CM MK4, B PLUS.	Z4003/7114 Z4003/7114	1			
002	WASHER, FLAT, 11 MM I.D., 1.6 MM THK., STEEL, ZINC PLATED.	ZOF88/05348709 ZOF88/05348709	2			
003	WASHER, LOCK, 10 MM I.D., SINGLE COIL, SQUARE SECTION, ZINC PLATED.	Z5394/WM110001 Z5394/WM110001	2			
004	SCREW, MACHINE, 10 MM DIA., 20 MM LG., 1,5 MM PITCH, HEX. HD., STEEL, ZINC PLATED.	ZOF88/02847106 ZOF88/02847106	2			
005	BRACKET, RETENTION, SECURITYFILING CABINET, STEEL, GALVANISED.	Z4976/720269 Z4976/720269	1			
006	NUT, COMPLETE WITH SPRING, 34 MM LG., 20 MM W., 8 MM THK., 10 MM COARSE THD., STEEL, ZINC PLATED.	ZA231/P4008M10 Z5394/HYL9967	2			
007	SCREW, MACHINE, HEX. HD., 10 MM DIA., 25 MM LG., 1.5 MM PITCH, STEEL, ZINC PLATED	ZOF88/0284703 ZOF88/0284703	2			
008	NUT, HEX., NYLON INSERT, 12 MM COARSE THD., STEEL, MEDIUM TENSILE, ZINC PLATED.	ZOF88/02093604 ZOF88/02093604	4			
009	WASHER, FLAT, 12.5 MM I.D., 25 MM O.D., 1.6 MM THK., STEEL, ZINC PLATED.	ZOF88/05348806 ZOF88/05348806	4			
010	BOLT, HEX. HD., 12 MM DIA., 75 MM LG., 1.25 MM PITCH, STEEL, ZINC PLATED.	ZOF88/02841102 ZOF88/02841102	4			

* GRADE OF REPAIR (LIGHT MEDIUM OR HEAVY)

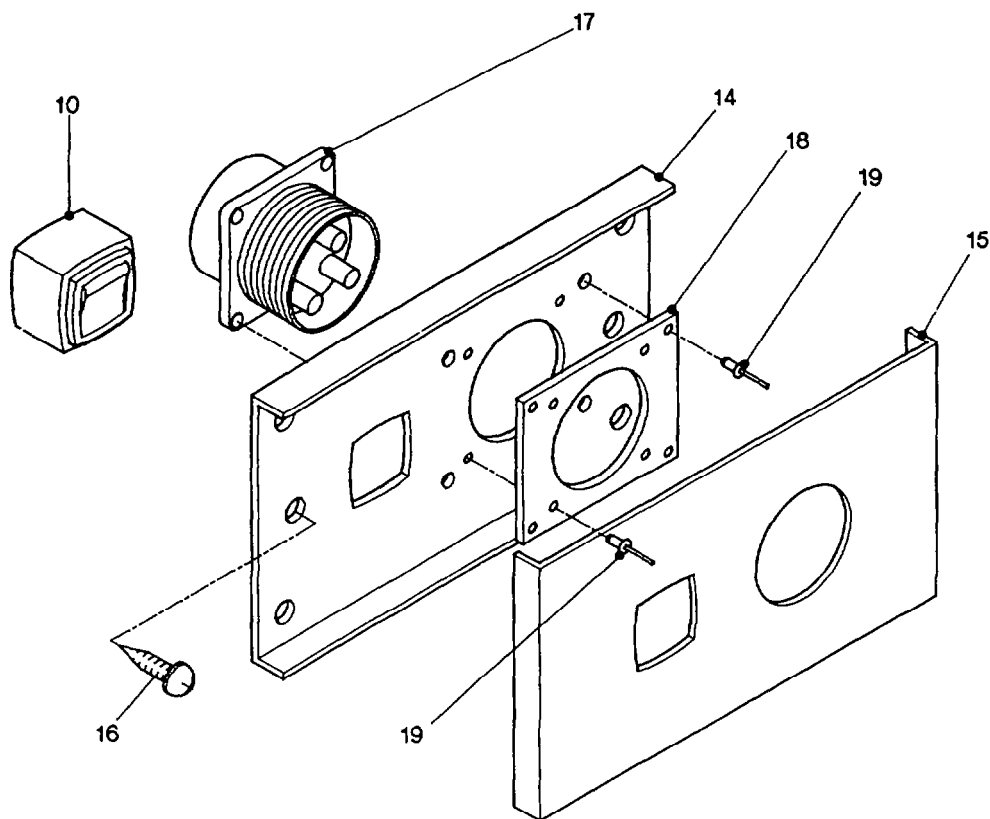
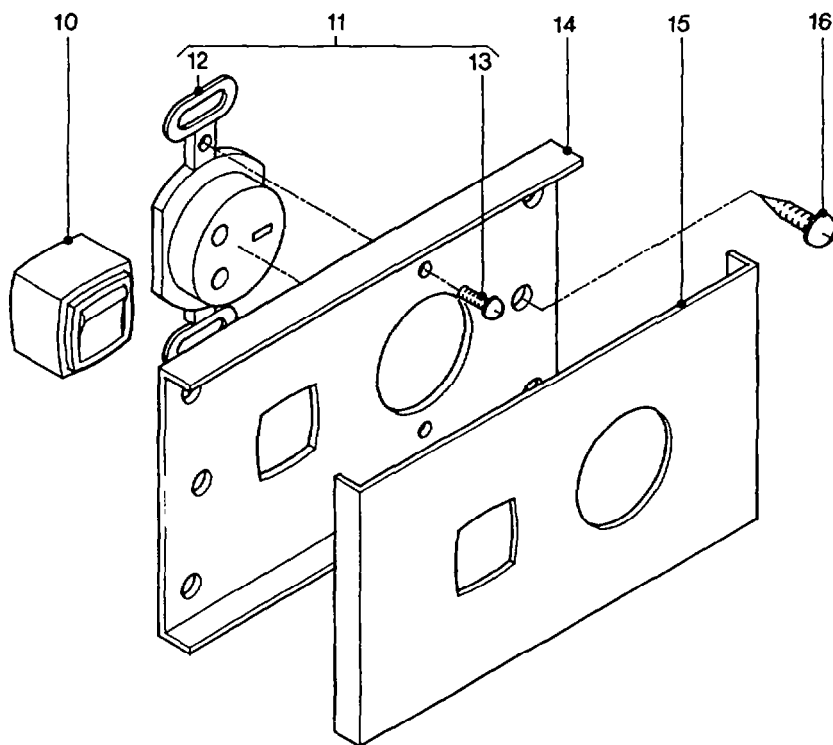


SWITCHES - MODULE INTERIOR

GROUP WL
TITLE SWITCHES - MODULE INTERIOR

ITEM NO	DESIGNATION	NSN: MANUFACTURER CODE/PART NO SUPPLIER CODE/PART NO	NO OFF	U O	E X	L* M*
				I	P	H*
001	CONNECTOR-SWITCH TWIN GANG, 240 V, 10 A, STANDARD PATTERN, FLUSH PLATE, 115 MM BY 73 MM, 84 MM MOUNTING CENTRES, WHITE (NO WORDING ON PLATE)	5999 66-130-8811 ZOH88/25D Z5394/HYM203	4	EA	X	LMH
901	OUTLET, POWER, TWIN GANG, 240 V, 10 A, STANDARD PATTERN, FLUSH PLATE, 115 MM BY 73 MM, 84 MM MOUNTING CENTRES, WHITE (DESCRIPTION OF WORDING MUST BE SUPPLIED WHEN ORDERING)	ZA231/25D ZA231/25D	4			
002	CONNECTOR-SWITCH SINGLE GANG, 240 V, 15AMP, DOUBLE POLE (NO WORDING ON PLATE)	5999 66-128-6043 Z0362/15D/15 Z5394/HYM204	2	EA	X	LMH
902	OUTLET, POWER POINT, SINGLE GANG, 250 V 15 AMP, DOUBLE POLE. (DESCRIPTION OF WORDING MUST BE SUPPLIED WHEN ORDERING)	ZA231/15D/15 ZA231/15D/15	2			
003	SWITCH, TOGGLE 250 V, 10 AMP, 1 WAY/2 WAY (USE AS REQUIRED)	5930 66-113-3339 ZOH88/30M Z5394/HYM205	5	BX	X	LMH
004	PLATE, MOUNTING, INTERMEDIATE SIZE, ONE GANG, WHITE (NO WORDING ON PLATE)	ZOH88/31 Z5394/HYM206	5			
903	PLATE, MOUNTING, INTERMEDIATE SIZE, ONE GANG, WHITE (DESCRIPTION OF WORDING MUST BE SUPPLIED WHEN ORDERING)	ZA231/31 ZA231/31	5			
005	CONNECTOR-SWITCH TWIN GANG, 250 VOLT 10 AMP, DOUBLE POLE, 156.5 MM X 44 MM (NO WORDING ON PLATE)	5999 66-128-6057 Z0362/16/MF2 Z5394/HYM291	2	EA	X	LMH
904	OUTLET, POWER, TWIN GANG, 250 V. (DESCRIPTION OF WORDING MUST BE SUPPLIED WHEN ORDERING)	ZA231/16/2MF ZA231/16/2MF	2			
006	PLATE, MOUNTING, STANDARD PATTERN, FOUR GANG, WHITE. (NO WORDING ON PLATE)	ZOH88/34VH Z5394/HYM207	1			

* GRADE OF REPAIR (LIGHT MEDIUM OR HEAVY)

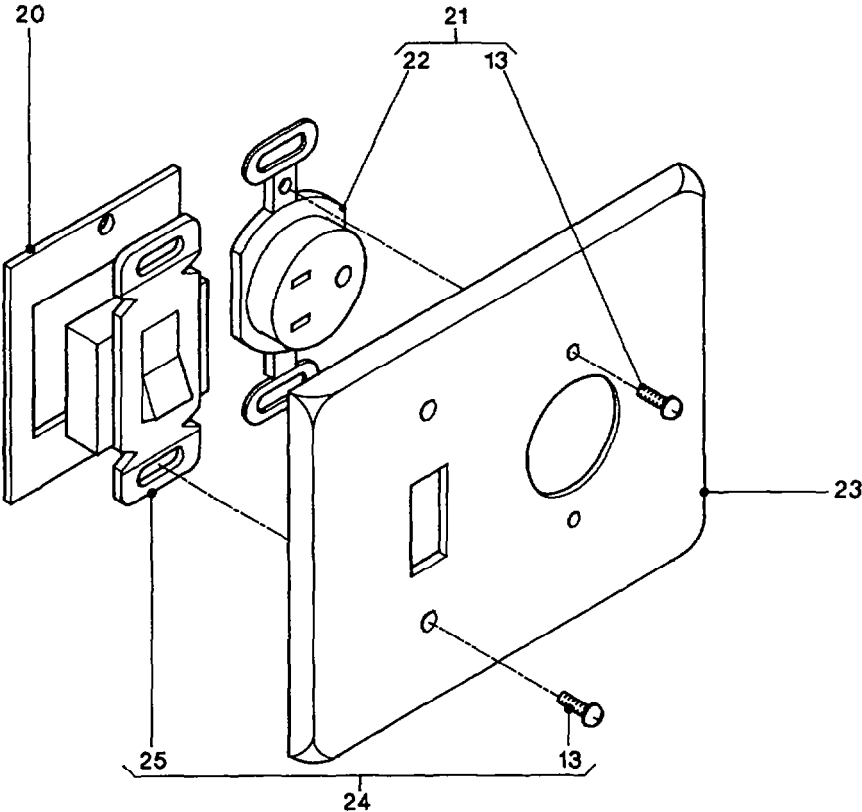


SWITCHES - MODULE INTERIOR

GROUP WL
TITLE SWITCHES - MODULE INTERIOR

ITEM NO	DESIGNATION	NSN MANUFACTURER CODE/PART NO SUPPLIER CODE/PART NO	NO OFF	U O	E X	L* M* H*
905	PLATE, MOUNTING, STANDARD PATTERN, FOUR GANG, WHITE. (DESCRIPTION OF WORDING MUST BE SUPPLIED WHEN ORDERING)	ZA231/34VH ZA231/34VH	1			
007	SCREW, 3.5 MM DIA., 16 MM LG., 0.8 MM PITCH, PLATED.	ZOH88/32 Z5394/HYM208	24			
008	PLATE, MOUNTING, ARCHITRAVE, TWO GANG, WHITE (NO WORDING ON PLATE)	ZOH88/32 Z5394/HYM209	1			
906	PLATE, MOUNTING, ARCHITRAVE, TWO GANG, WHITE (DESCRIPTION OF WORDING MUSTBE SUPPLIED WHEN ORDERING)	ZA231/32 ZA231/32	1			
009	SWITCH, TOGGLE, 240 V, 10 AMP, DOUBLE POLE	5930 66-112-0444 ZOH88/30MD Z5394/HYM210	5	EA	X	LMH
010	SWITCH, TOGGLE 110 V AC, 10 A, DOUBLE POLE	5930 66-139-2030 Z0365/796 PMWE Z0365/769 PMWE	4	EA	X	LMH
011	CONNECTOR, RECEPTACLE, ELECTRICAL (INCLUDES WL 012 AND WL 013)	5935 66-027-4537 Z0362/415-110 ZOH88/415-110	1	EA	X	LMH
012	SOCKET, FLUSH, 110 V, 10 A, TWO ROUND LIVE PINS, ONE FLAT EARTH PIN, WHITE, AUSTRALIAN DESIGN. (USE WL 011)	/NIL /NIL	1			
013	SCREW, SOCKET RETAINING. (USE WL 011, WL 021 OR WL 024)	/NIL /NIL	2			
014	BRACKET, MOUNTING, POWER POINT, SINGLE, 240 V, 10 A	Z0365/DR738GM Z0365/DR738GM	4			
015	PLATE, DECORATOR.	Z0365/DR787G Z0365/DR787G	4			
016	SCREW, MACHINE, PAN HD., PHILLIPS, 4 MM DIA., 12 MM LG., ZINC PLATED.	Z5394/SP104121 Z5394/SP104121	32			

* GRADE OF REPAIR (LIGHT MEDIUM OR HEAVY)

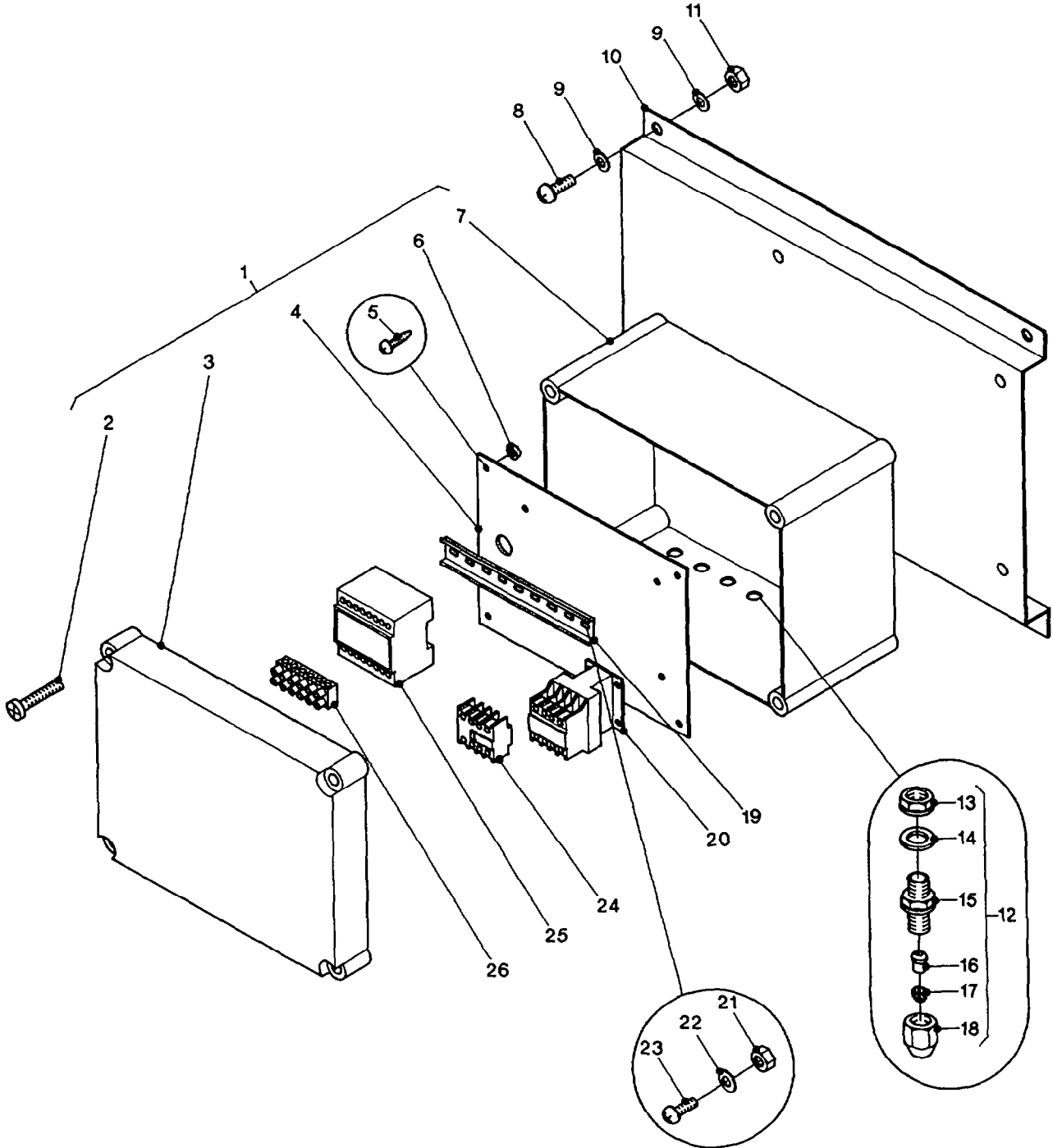


SWITCHES - MODULE INTERIOR

GROUP WL
TITLE SWITCHES - MODULE INTERIOR

ITEM NO	DESIGNATION	NSN MANUFACTURER CODE/PART NO SUPPLIER CODE/PART NO	NO OFF	U	E	L*
				O	X	M*
				I	P	H*
017	CONNECTOR, RECEPTACLE, ELECTRICAL	5935 66-134-1875 ZE541/MS3102-E-20-19S ZE541/MS3102-E-20-19S	2	EA	X	LMH
018	PLATE, MOUNTING, CANNON SOCKET, ZINC ANNEALED.	Z4976/720338 Z4976/720338	2			
019	RIVET, POP, 3 MM DIA., 13 MM LG., ALUMINIUM.	Z0549/73AS46 Z0549/73AS46	16			
020	PLATE, MOUNTING, TOGGLE SWITCH, STEEL, ZINC ANNEALED.	Z4976/720337 Z4976/720337	2			
021	SOCKET, ASSY., 110 VOLT. (INCLUDES WL 013 AND WL 022)	/NIL /NIL	3			
022	SOCKET, FLUSH, 110 V, 10 A, TWO FLAT LIVE PINS, ONE ROUND EARTH PIN, BLACK, AMERICAN DESIGN. (USE WL 021)	/NIL /NIL	1			
023	PLATE, FLUSH, SINGLE GANG, WHITE.	ZOH88/322/IR ZOH88/322/IR	2			
024	SWITCH, TOGGLE FLUSH, STANDARD, SPST, 5 AMP, W/O PLATES, 1 WAY, BROWN (INCLUDES WL 013 AND WL 025)	5930 66-014-1115 ZOH88/320 ZOH88/320	2	EA	X	LMH
025	SWITCH, TOGGLE, FLUSH, 250 V 10 AMP, ONE WAY (USE WL 024)	/NIL /NIL	1			

* GRADE OF REPAIR (LIGHT MEDIUM OR HEAVY)



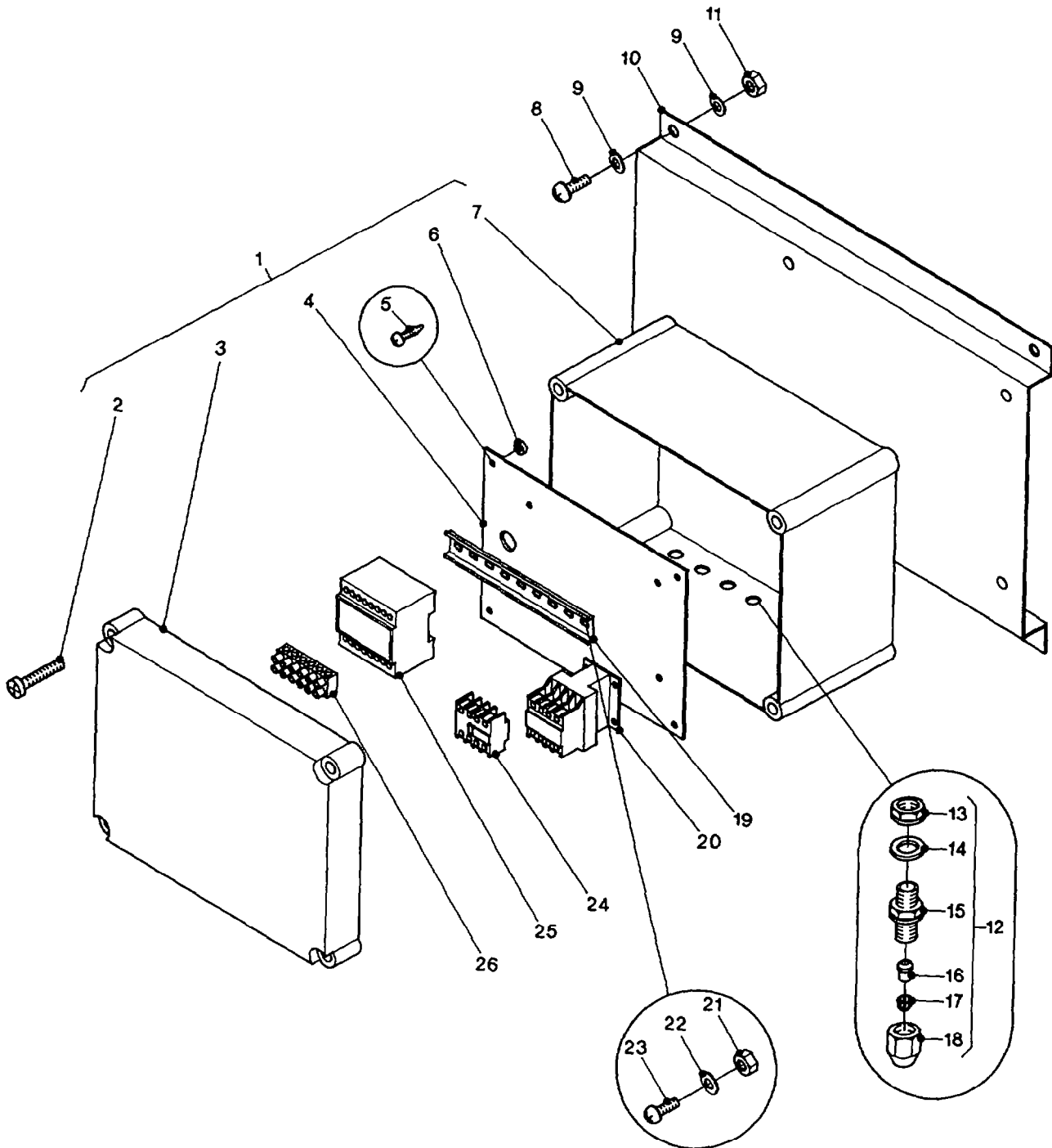
**OVER-VOLTAGE PROTECTION ENCLOSURE
AND MOUNTINGS**

GROUP WMD

TITLE OVER-VOLTAGE PROTECTION ENCLOSURE AND MOUNTINGS

ITEM NO	DESIGNATION	NSN MANUFACTURER CODE/PART NO SUPPLIER CODE/PART NO	NO OFF	U	E	L*
				O	X	M*
				I	P	H*
001	ENCLOSURE ASSY., PROTECTION, 270 MM H., 360 MM W., 171 MM D., POLYESTER. (INCLUDES WMD 002 TO WMD 007)	ZA231/E2736UP ZA231/E2736UP	1			
002	SCREW, COVER RETENTION, POLYESTER. (ALSO PART OF WMD 001)	ZA231/SD18 ZA231/SD18	4			
003	COVER, POLYESTER, OPAQUE. (USE WMD 001)	/NIL /NIL	1			
004	PLATE, MOUNTING. (USE WMD 001)	/NIL /NIL	1			
005	SCREW, SLOTTED CHEESE HD., 6 MM DIA., 20 MM LG, COARSE THD., ZINC PLATED. (USE WMD 001)	/NIL /NIL	4			
006	SPACER, PLATE MOUNTING. (USE WMD 001)	/NIL /NIL	4			
007	BASE, OVER-VOLTAGE PROTECTION ENCLOSURE. (USE WMD 001)	/NIL /NIL	1			
008	SCREW, MACHINE, PAN HD., 6 MM DIA., 25 MM LG, COARSE THD., ZINC PLATED, PHILLIPS.	/NIL /NIL	4			
009	WASHER, FLAT, 6 MM I.D., 12.5 MM O.D., 1 MM THK., STEEL, ZINC PLATED.	/NIL /NIL	8			
010	BRACKET, ENCLOSURE MOUNTING, STEEL, GALVANISED.	Z4976/720276 Z4976/720276	1			
011	NUT, HEX., NYLON INSERT, 6 MM, COARSE THD., STEEL, MEDIUM TENSILE, ZINC PLATED.	/NIL /NIL	4			
012	GLAND ASSEMBLY, OVER- VOLTAGE PROTECTION ENCLOSURE. (INCLUDES WMD 013 TO WMD 018)	/NIL /NIL	4			

* GRADE OF REPAIR (LIGHT MEDIUM OR HEAVY)



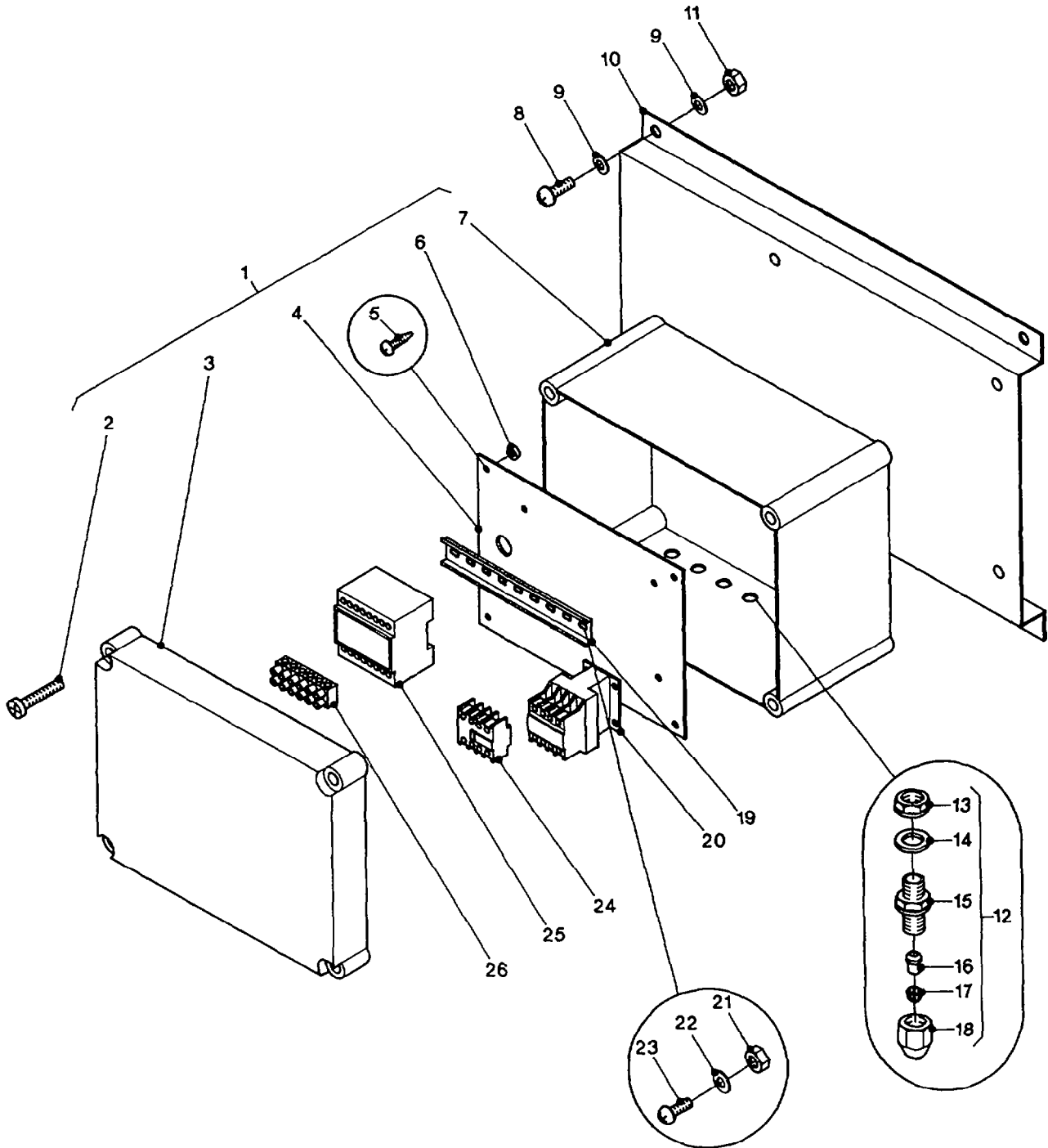
**OVER-VOLTAGE PROTECTION ENCLOSURE
AND MOUNTINGS**

GROUP WMD

TITLE OVER-VOLTAGE PROTECTION ENCLOSURE AND MOUNTINGS

ITEM NO	DESIGNATION	NSN MANUFACTURER CODE/PART NO SUPPLIER CODE/PART NO	NO OFF	U O	E X	L* M*
				I	P	H*
013	NUT, LOCK. (USE WMD 012)	/NIL /NIL	1			
014	WASHER, NYLON. (USE WMD 012)	/NIL /NIL	1			
015	BODY, GLAND ASSEMBLY, NYLON. (USE WMD 012)	/NIL /NIL	1			
016	SEAL, GLAND ASSEMBLY, NYLON. (USE WMD 012)	/NIL /NIL	1			
017	CLAW, GLAND ASSEMBLY, NYLON. (USE WMD 012)	/NIL /NIL	1			
018	NUT, GLAND ASSEMBLY, NYLON. (USE WMD 012)	/NIL /NIL	1			
019	DIN RAIL, 240 MM LG. (MANUFACTURE FROM WMD 901)	Z4976/720339 Z4976/720339	2			
020	CIRCUIT BREAKER CONTACTOR, MAINS FAIL RELAY	5925 14-468-9128 ZA231/LC1 D09 10 ZA231/LC1 D09 10	3	EA	X	LMH
021	NUT, NYLON INSERT, HEX., 5 MM COARSE THD.	/NIL /NIL	4			
022	WASHER, FLAT, 5 MM I.D.	/NIL /NIL	4			
023	SCREW, MACHINE, PAN HD., PHILLIPS, 5 MM COARSE THD., 12 MM LG., ZINC PLATED.	/NIL /NIL	4			
024	BLOCK, CONTACT, AUXILLIARY, 4 CONTACT.	ZA231/LA1 DN 22 ZA231/LA1 DN 22	1			
025	RELAY, HYBRID	5945 66-126-6857 Z3792/253-PBVW ZA231/253-PVBW	3	EA	X	LMH
026	CONNECTOR, STRIP, 80 AMP., HEAVY DUTY, DOUBLE ENTRY.	ZA231/BP6 ZA231/BP6	1			

* GRADE OF REPAIR (LIGHT MEDIUM OR HEAVY)



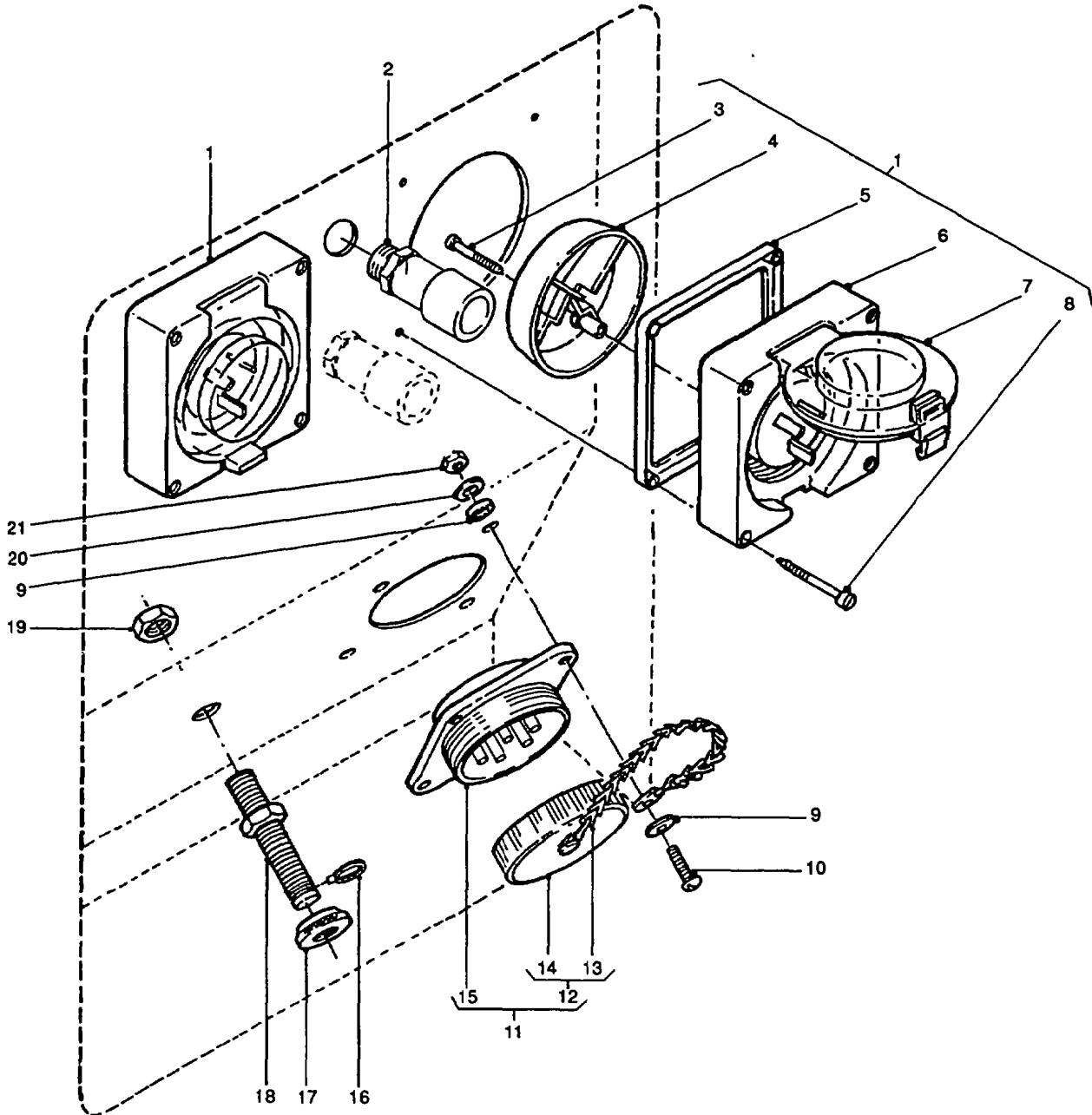
**OVER-VOLTAGE PROTECTION ENCLOSURE
AND MOUNTINGS**

GROUP WMD

TITLE OVER-VOLTAGE PROTECTION ENCLOSURE AND MOUNTINGS

ITEM NO	DESIGNATION	NSN MANUFACTURER CODE/PART NO SUPPLIER CODE/PART NO	NO OFF	U O I	E X P	L* M* H*
901	DIN RAIL, 2 M BULK LG., COLD ROLLED, STEEL, ZINC PASSIVATED. (USE TO MANUFACTURE WMD 019)	ZA231/17956 ZA231/17956	1			

* GRADE OF REPAIR (LIGHT MEDIUM OR HEAVY)



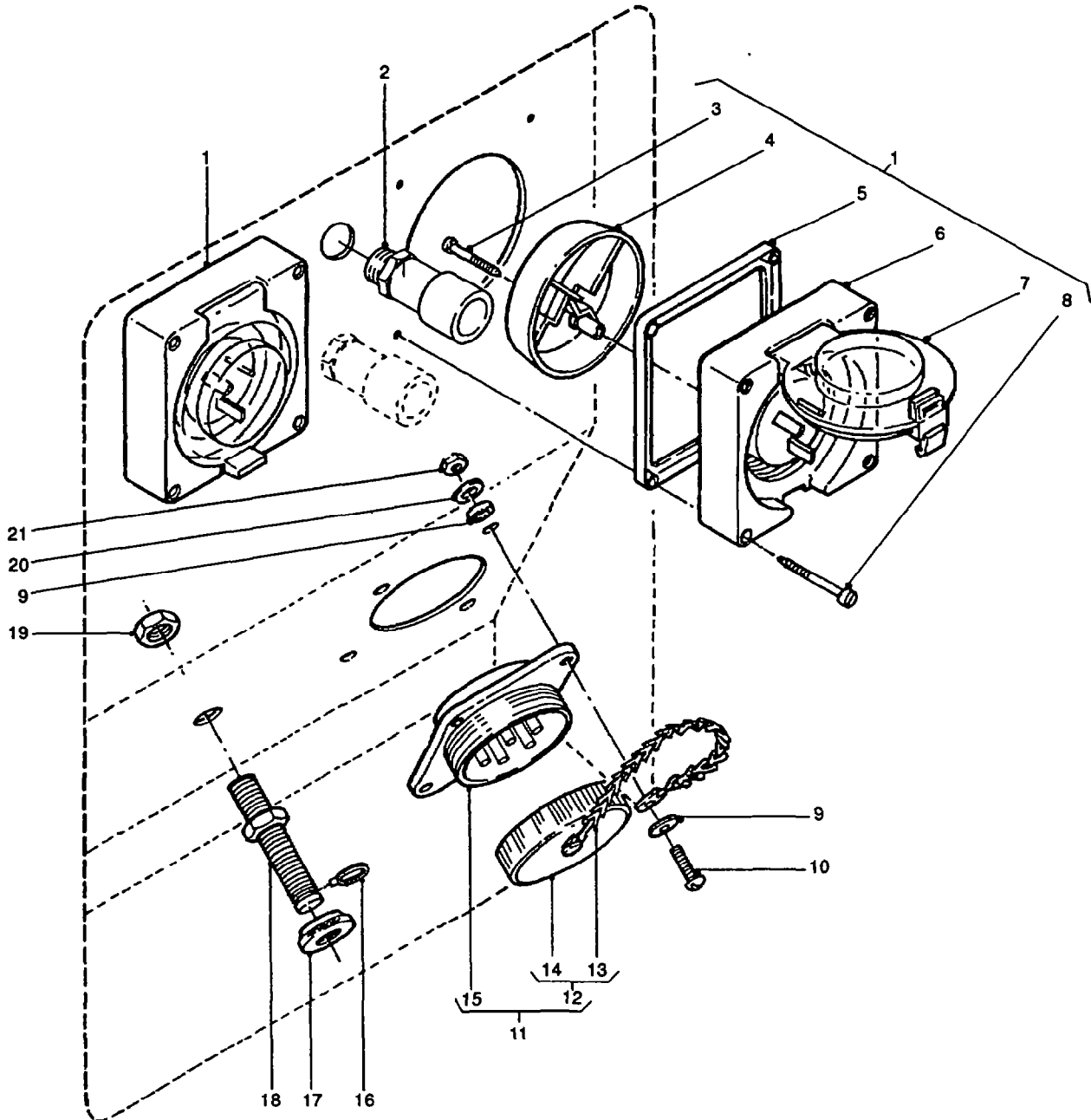
**GROUND STUD AND AUXILIARY
POWER SOCKETS**

GROUP WN
TITLE GROUND STUD AND AUXILIARY POWER SOCKETS

ITEM NO	DESIGNATION	NSN MANUFACTURER CODE/PART NO SUPPLIER CODE/PART NO	NO OFF	U	E	L*
				O I	X P	M* H*
001	SOCKET, ELECTRICAL SOCKET, ELECTRICAL, SURFACE MOUNTING , 250 V, 15AMP, 3 FLAT PINS (INCLUDES WN 003 TO WN 008)	5935 66-128-6041 Z0362/56A1315LE Z5394/HYM197	2	EA	X	LMH
002	POST, BINDING, ELECTRICAL ACCOMMODATES 4 MM BANANA PLUG, COLOUR CODE NATURAL, W/TERMINAL LUG CYLINDRICAL SPIGGOT POST, BINDING.	5940 66-112-9670 Z2813/DE590050000-3 Z2813/DE590050000-3	4	EA	X	LMH
003	SCREW, COVER RETAINING, 2.8 MM DIA., 30 MM LG., 4 GAUGE SELF TAPPING, BLUNT POINT (ALSO PART OF WN 001)	ZOH88/AR104301 Z5394/HYM198	1			
004	COVER, REAR, PLASTIC, CLEAR. (USE WN 001)	/NIL /NIL	1			
005	GASKET. (USE WN 001)	/NIL /NIL	1			
006	HOUSING, PLASTIC. (USE WN 001)	/NIL /NIL	1			
007	COVER, FRONT, SPRING LOADED, PLASTIC, CLEAR. (USE WN 001)	/NIL /NIL	1			
008	SCREW, SOCKET MOUNTING, 3.5 MM DIA., . 32 MM LG., 0.8 MM PITCH, PLATED (ALSO PART OF WN 001)	ZOH88/355 Z5394/HYM199	4			
009	WASHER, FLAT, RD., STEEL, ZINC COATED, 3 MM BOLT SIZE, 7 MM O.D., 0.5 MM THK.	U1030/WA103001 Z5394/WA103001	5			
010	SCREW, RECESSED COUNTERSUNK HD., 3 MM DIA., 13 MM LG., 0.5 MM PITCH, SELF TAPPING.	U1030/AC103131 Z5394/WA103131	4			
011	CONNECTOR, RECEPTACLE, ELECTRI CAL 5 CONTACTS, MALE (INCLUDES WN 012 TO WN 015)	5935 66-118-6551 Z0125/CA3102E28-R1446PB Z5394/HYM201	1	EA	X	LMH
012	COVER, ELECTRICAL CONNECTOR (INCLUDES WN 013 AND WN 014, ALSO PART OF WN 011)	5935 12-183-9597 D1371/CA121003-10 Z5394/HYM202	1	EA	X	LMH

ISSUE NO: 1 REPAIR PARTS SCALE : 02222 PAGE NO: 128

* GRADE OF REPAIR (LIGHT MEDIUM OR HEAVY)

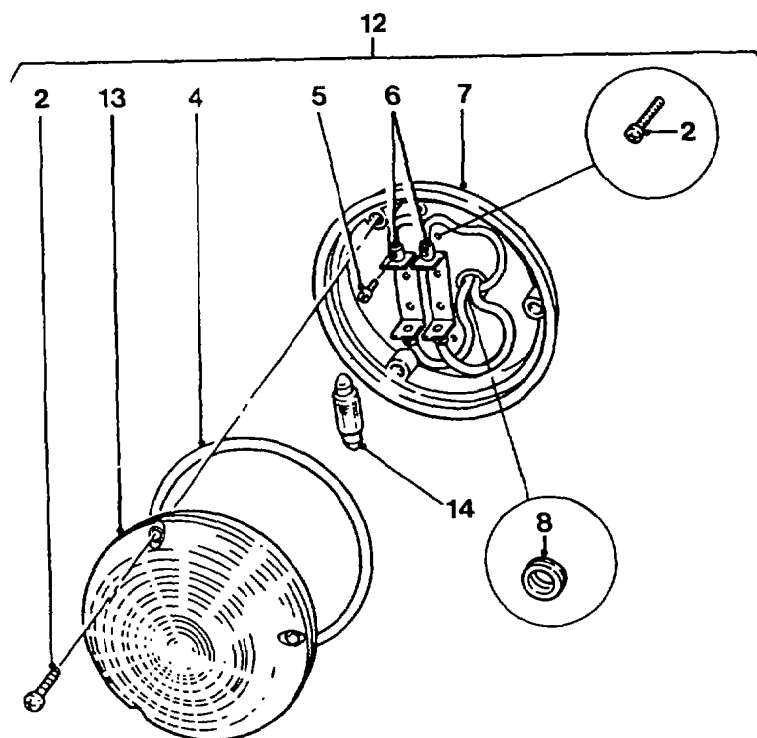
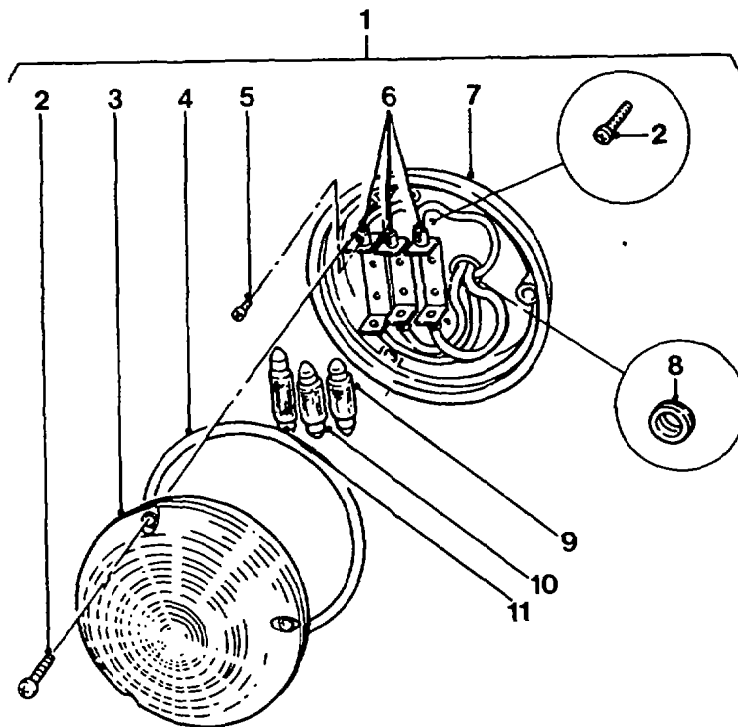


**GROUND STUD AND AUXILIARY
POWER SOCKETS**

GROUP WN
TITLE GROUND STUD AND AUXILIARY POWER SOCKETS

ITEM NO	DESIGNATION	NSN MANUFACTURER CODE/PART NO SUPPLIER CODE/PART NO	NO	U	E	L*
			OFF	O	X	M*
			I	P	H	H*
013	CHAIN, 120 MM LG. (USE WN 011 OR WN 012)	/NIL /NIL	1			
014	CAP. (USE WN 011 OR WN 012)	/NIL /NIL	1			
015	BODY, ELECTRICAL SOCKET. (USE WN 011)	/NIL /NIL	1			
016	CLIP, CIRC, 4 MM I.D.	Z0960/1400.5 Z5394/HYM200	1			
017	NUT, KNURLED, M8, 25 MM O.D., 8 MM THK., BRASS.	/NIL /NIL	1			
018	STUD, EARTH, M8, 33 MM THD., 20 MM THD. LG., 62 MM OVERALL LG., 16 MM A/F, BRASS.	/NIL /NIL	1			
019	NUT, LOCKING, M8, 19 MM A/F, 5 MM THK., BRASS.	/NIL /NIL	1			
020	WASHER, LOCK, SINGLE COIL, SQUARE SECTION, 3 MM I.D., ZINC PLATED.	U1030/WM103001 Z5394/WM103001	4			
021	NUT, HEX., 3 MM I.D., STEEL, MEDIUM TENSILE, ZINC PLATED.	U1030/NH103041 Z5394/NH103041	4			

* GRADE OF REPAIR (LIGHT MEDIUM OR HEAVY)



**REAR STOP, TAIL, TURN INDICATOR
AND REVERSE LAMPS - DOOR MOUNTED A**

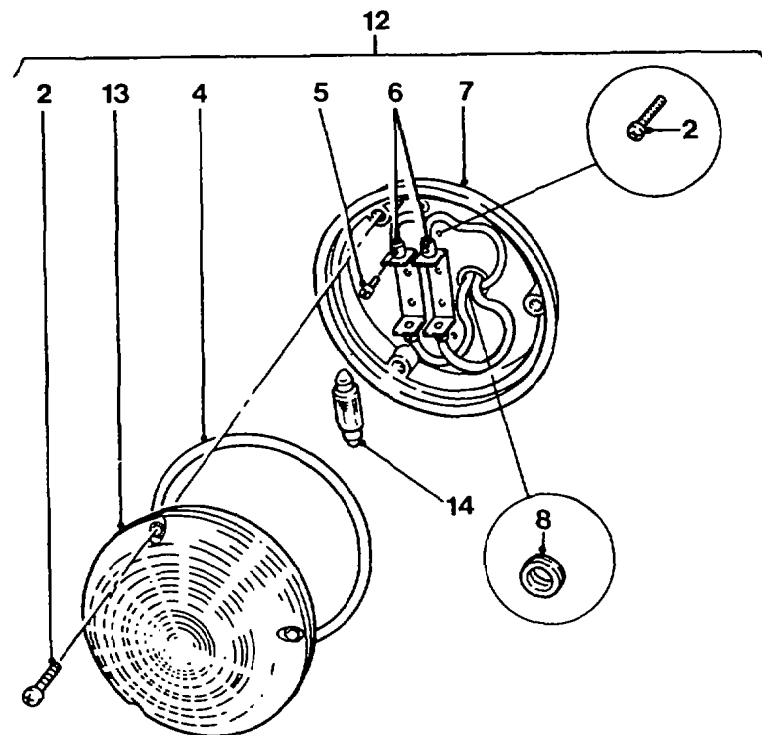
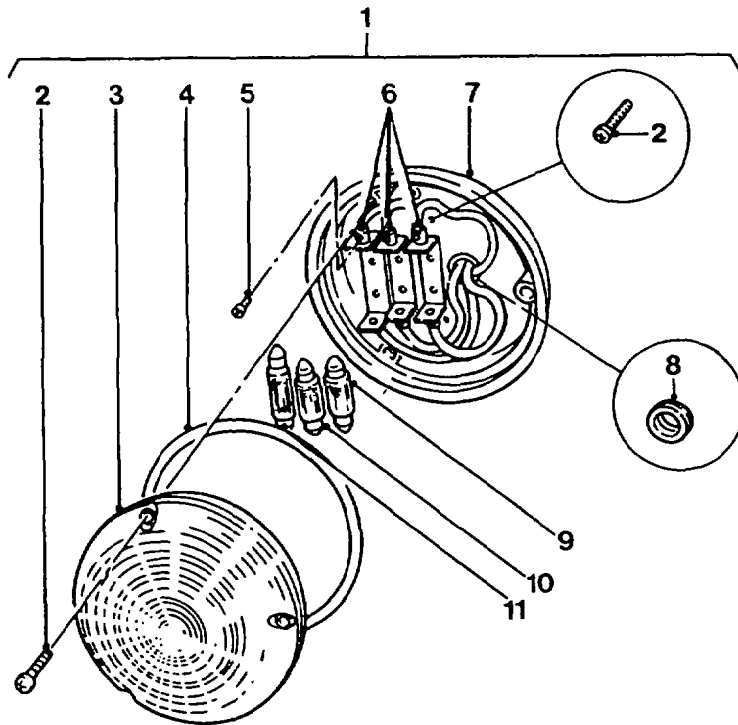
GROUP WNA

TITLE REAR STOP, TAIL, TURN INDICATOR AND REVERSE LAMPS
- DOOR MOUNTED

ITEM NO	DESIGNATION	NSN MANUFACTURER CODE/PART NO SUPPLIER CODE/PART NO	NO	U	E	L*
			OFF	O	X	M*
			I	P	H*	
001	STOP LIGHT, VEHICULAR VEHICULAR (INCLUDES WNA 002 TO WNA 008)	6220 66-128-5899 Z4976/700377 Z5394/HYL9076	2	EA	X	LM
002	SCREW, TAPPING, THREAD FORMING STEEL, PANHD, SLOT DRIVE, CAD PLATED, NO.6 BY 3/8 IN. LG	5305 99-901-9736 U1030/AB606031 Z5394/AB606031	30	EA	X	LM
003	LENS, LIGHT RED, PLASTIC, 108 MM O/A DIA (ALSO PART OF WNA 001.)	6220 66-092-6259 Z0645/2.9801.01 Z5394/HYL9066	2	EA	X	LM
004	GASKET. (USE WNA 001, WNA 012 OR WNA 901)	/NIL /NIL	2			
005	SCREW. (USE WNA 001, WNA 012 OR WNA 901)	/NIL /NIL	6			
006	TERMINAL, BRASS. (USE WNA 001, WNA 012 OR WNA 901)	/NIL /NIL	3			
007	BASE, LAMP. (USE WNA 001, WNA 012 OR WNA 901)	/NIL /NIL	6			
008	GROMMET, RUBBER. (USE WNA 001, WNA 012 OR WNA 901)	/NIL /NIL	6			
009	LAMP, INCANDESCENT 24 V, 18 W, BRASS FERULE BASE, CYL SHAPE CLEAR (HIGH LEVEL FLASHING LIGHTS)	6240 66-035-5924 Z0645/K2418 Z5394/HYL9078	2	EA	X	LM
010	LAMP, INCANDESCENT 12V, 5 W, BRASS FERRULES BASE, "CYL" SHAPE, CLEAR	6240 66-014-8509 Z0027/254 Z5394/JLM9590	2	EA	X	LM
011	LAMP, INCANDESCENT 12V, 10W, BRASS FERRULE BASE, 15X44MM	6240 66-090-7638 Z0645/L1210 Z5394/HYL9081	4	EA	X	LM
012	LIGHT, BACKUP (INCLUDES WNA 002, WNA 004 TO WNA 008 AND WNA 013.)	6220 66-128-5901 Z4976/700378 Z5394/HYL9075	2	EA	X	LM
901	DIRECTIONAL LIGHT, VEHICULAR (INCLUDES WNA 002, WNA 004 TO WNA 008 AND WNA 902.)	6220 66-035-3323 Z0645/2135 Z5394/HYL9077	2	EA	A	LM

ISSUE NO: 1 REPAIR PARTS SCALE : 02222 PAGE NO: 130

* GRADE OF REPAIR (LIGHT MEDIUM OR HEAVY)



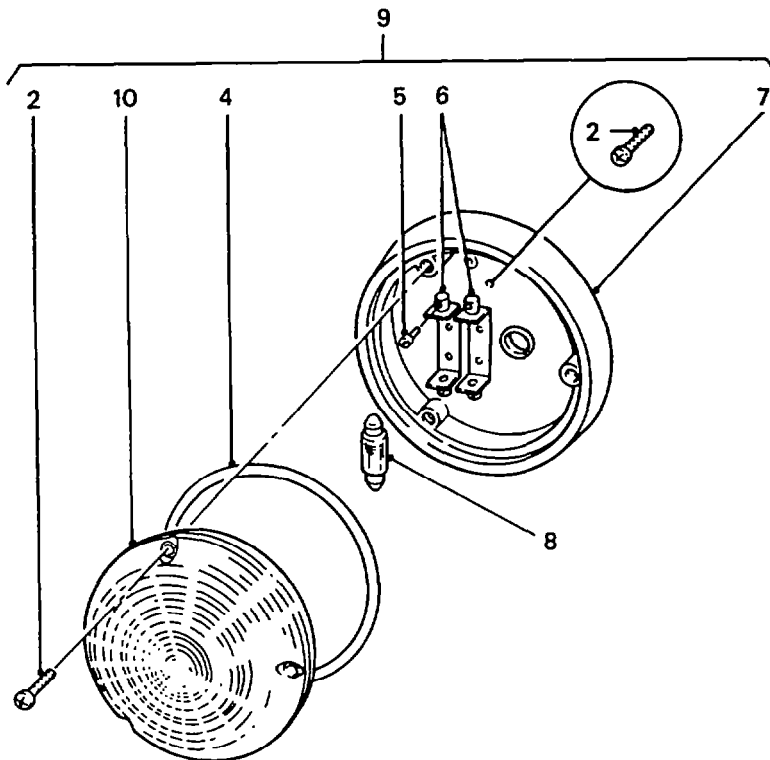
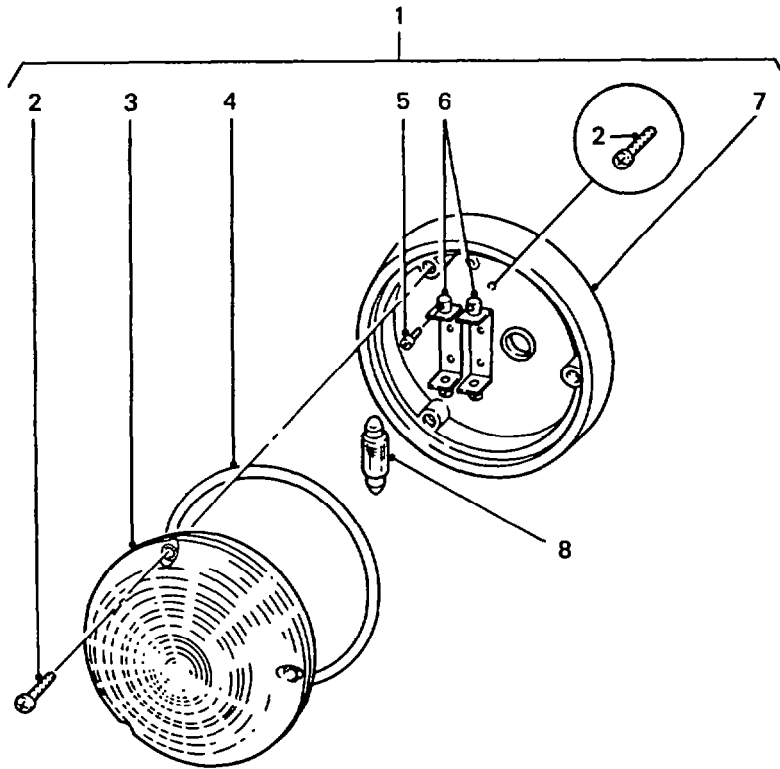
**REAR STOP, TAIL, TURN INDICATOR
AND REVERSE LAMPS - DOOR MOUNTED A**

GROUP WNA

TITLE REAR STOP, TAIL, TURN INDICATOR AND REVERSE LAMPS
- DOOR MOUNTED

ITEM NO	DESIGNATION	NSN MANUFACTURER CODE/PART NO SUPPLIER CODE/PART NO	NO OFF	U I	E P	L* M* H*
013	LENS, LIGHT DOME LIGHT (ALSO PART OF WNA 012.)	6220 66-120-4188 Z0645/2.9800.08 Z5394/HYL9065	2	EA	X	LM
902	LENS, LIGHT (ALSO PART OF WNA 901.)	6220 66-128-5903 Z0645/2.9800.09 Z5394/HYL9084	2	EA	X	LM
014	LAMP, INCANDESCENT 12 V, 18 W, BRASS FERRULE BASE, "CYL" SHAPE, CLEAR	6240 66-027-7458 Z0645/K1218 Z5394/HYL9083	2	EA	X	LM

* GRADE OF REPAIR (LIGHT MEDIUM OR HEAVY)



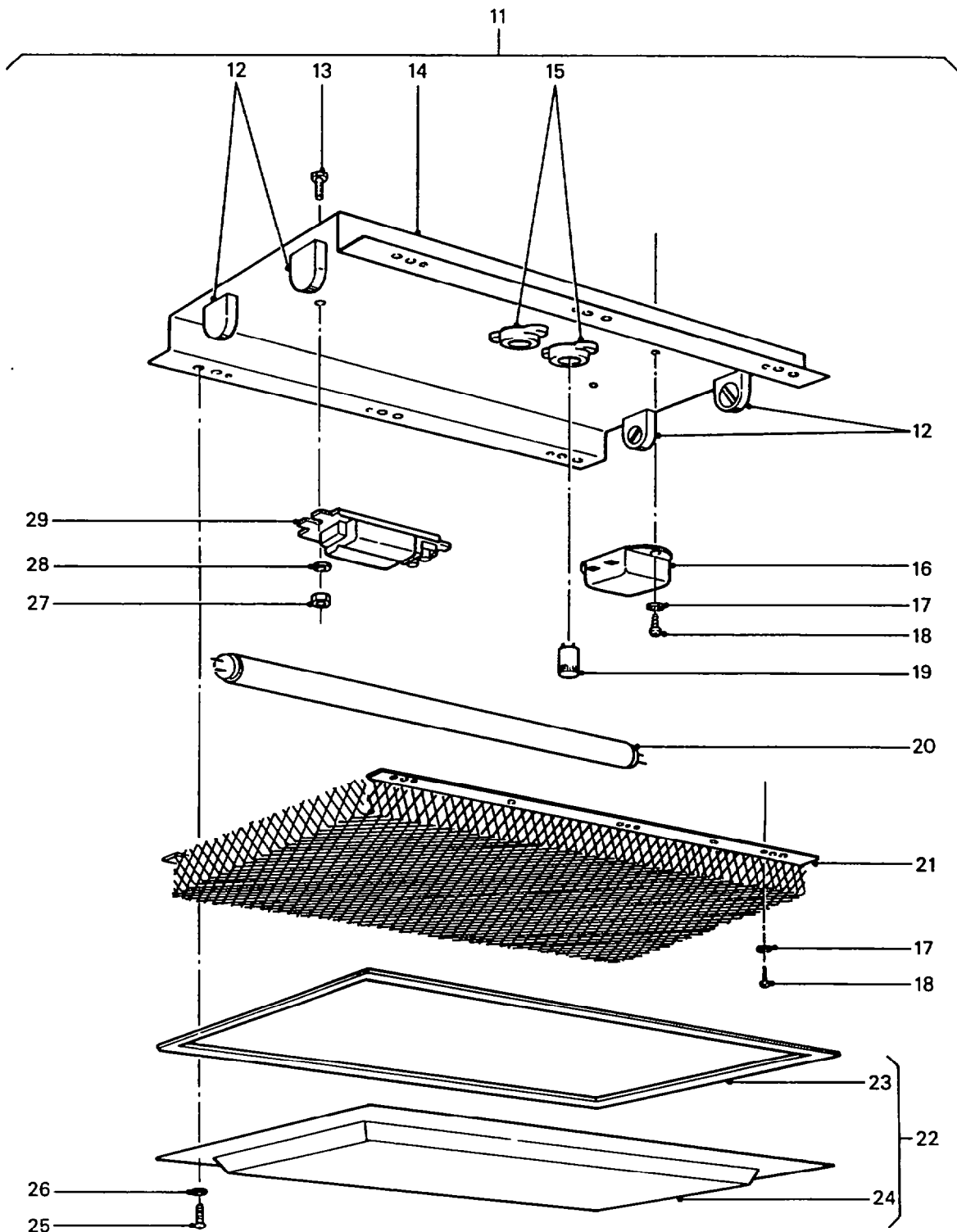
INTERIOR LAMPS - MODULE

GROUP WNB
TITLE INTERIOR LAMPS - MODULE

ITEM NO	DESIGNATION	NSN MANUFACTURER CODE/PART NO SUPPLIER CODE/PART NO	NO	U	E	L*
			OFF	O	X	M*
			I	P	H	
001	LIGHT, DOME PLASTIC, INTERIOR CEILING MOUNT, DUEL 24 VOLT FESTOON INCANDESCENT LAMPS, 108.0 MM O/A DIA. (INCLUDES WNB 002 TO WNB 008)	6220 66-128-5904 Z0645/2063 Z5394/HYL9063	4	EA	X	LMH
002	SCREW, TAPPING, THREAD FORMING STEEL, PANHD, SLOT DRIVE, CAD PLATED, NO.6 BY 3/8 IN. LG	5305 99-901-9736 U1030/AB606031 Z5394/AB606031	5	EA	X	LMH
003	LENS, LIGHT DOME LIGHT (ALSO PART OF WNB 001)	6220 66-120-4188 Z0645/2.9800.08 Z5394/HYL9065	1	EA	X	LMH
004	GASKET STOPLIGHT-TAILLIGHT (ALSO PART OF WNB 001 AND WNB 009)	5330 66-054-8813 Z0645/9.2397.40 Z0645/9.2397.40	1	EA	X	LMH
005	SCREW, TERMINAL. (USE WNB 001 OR WNB 009)	/NIL /NIL	2			
006	TERMINAL. (USE WNB 001 OR WNB 009)	/NIL /NIL	2			
007	BODY, LAMP MOUNTING, CHROME SURROUND. (USE WNB 001 OR WNB 009)	/NIL /NIL	1			
008	LAMP, INCANDESCENT 24 V, 18 W, BRASS FERULE BASE, CYL SHAPE CLEAR	6240 66-035-5924 Z0645/K2418 Z5394/HYL9078	1	EA	X	LMH
009	STOP LIGHT-TAILLIGHT, VEHICULAR (INCLUDES WNB 002, WNB 004 TO WNB 008 AND WNB 010)	6220 66-120-5948 Z0645/2315 Z5394/HYL9064	2	EA	X	LMH
010	LENS, LIGHT RED, PLASTIC, 108 MM O/A DIA (ALSO PART OF WNB 009)	6220 66-092-6259 Z0645/2.9801.01 Z5394/HYL9066	1	EA	X	LMH
011	LAMP ASSEMBLY, FLUORESCENT, 240 VOLT, 20 WATT. (INCLUDES WNB 012 TO WNB 015, WNB 019, WNB 020 AND WNB 022 TO WNB 029)	Z2796/PM220A/240 Z5394/HYM17	3			
012	LAMP HOLDER. (ALSO PART OF WNB 011)	Z2796/FH43 Z5394/HYM18	4			

ISSUE NO: 1 REPAIR PARTS SCALE : 02222 PAGE NO: 132

* GRADE OF REPAIR (LIGHT MEDIUM OR HEAVY)

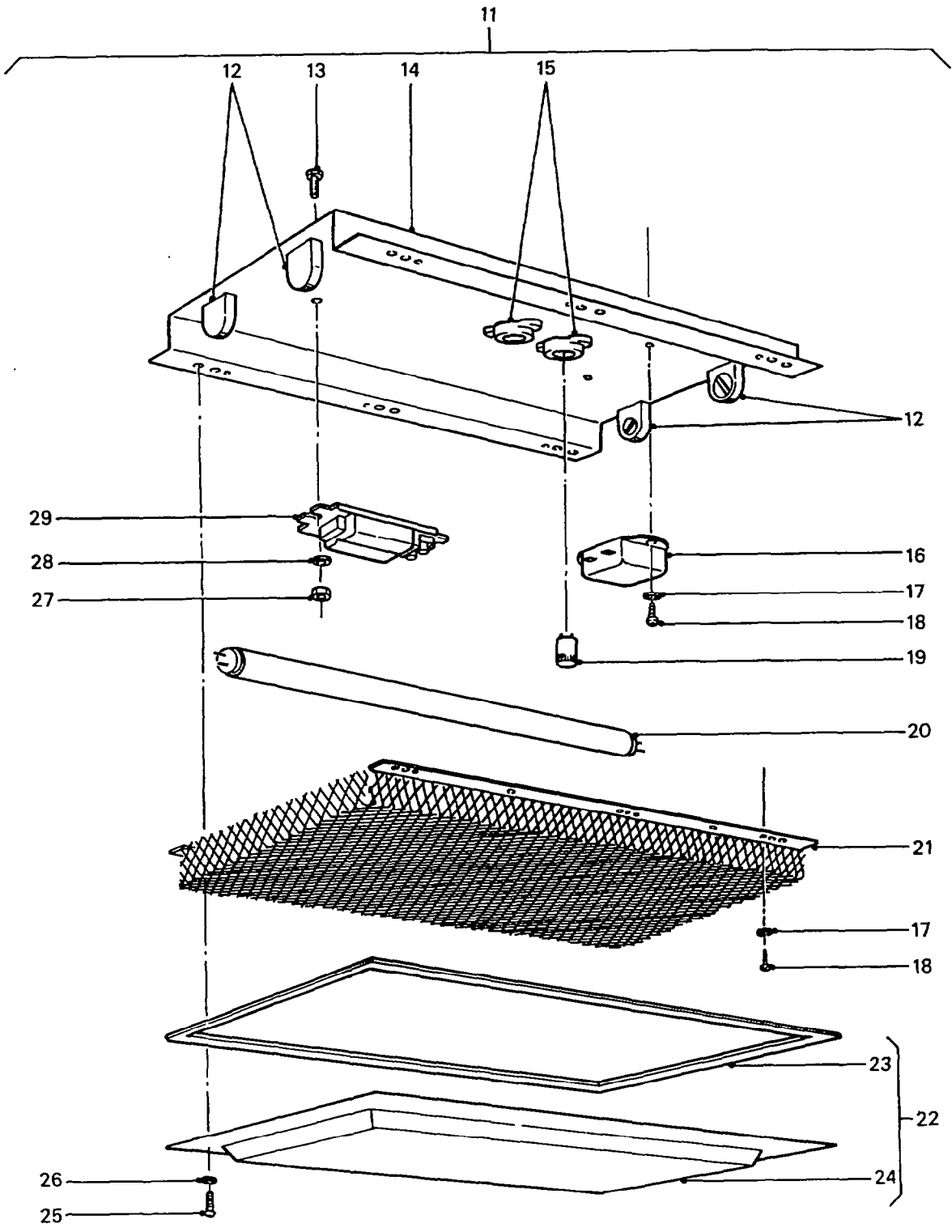


INTERIOR LAMPS - MODULE

GROUP WNB
TITLE INTERIOR LAMPS - MODULE

ITEM NO	DESIGNATION	NSN MANUFACTURER CODE/PART NO SUPPLIER CODE/PART NO	NO OFF	U I	E P	L* M* H*
013	SCREW, RECESSED PAN HD., 4 MM DIA., 12 MM LG., COARSE THD., ZINC PLATED.	U1030/SP104121 Z5394/SP104121	2			
014	BODY, FLUORESCENT LAMP. (USE WNB 011)	/NIL /NIL	1			
015	SOCKET, STARTER. (ALSO PART OF WNB 011)	Z2796/S-19 Z5394/HYM19	2			
016	FILTER, RFI, FLUORESCENT LAMP, 110/250 VOLT - 50/60 HZ/HPF 3A, 50 MM LG., 44 MM W.	Z0158/FN612-3/06 Z5394/BYG9231	1			
901	TERMINAL, QUICK DISCONNECT, 20 AMP. 0.766 IN. LG.	Z0220/H1972 Z0220/H1972	4			
902	INSULATOR, 24.3 MM LG., 9.2 MM W., 5.6 MM H., POLYPROPYLENE, NATURAL FINISH	Z0220/H2804 Z0220/H2804	4			
017	WASHER, EXTERNAL TEETH, 0.20 IN. I.D., 0.40 IN. O.D., 0.022 IN. THK., STEEL	U1030/WE70210X Z5394/WE70210X	12			
018	SCREW, RECESSED PAN HEAD, 5/8 IN. DIA., 5/8 IN. LG., ZINC PLATED	U1030/AB610051 Z5394/AB610051	12			
019	SWITCH, STARTER. (ALSO PART OF WNB 011)	Z2796/FS2 Z5394/HYM20	2			
020	LAMP, FLUORESCENT 20 W, 24 IN. LG, MEDIUM BIPIN BASE, T-12 BULB, WHITE LIGHT (ALSO PART OF WNB 011)	6240 66-033-1863 Z0113/MCFE20WW43 Z0113/MCFE20WW43	2	EA	X	LMH
021	SHIELD, MESH, FLUORESCENT LAMP, 2400 MM LG, 1200 MM W, 1 MM THK, EXPAMET, WELDED TO TWO STEEL STRIPS, ZINC PLATED AND CHROMATE PASSIVATE	Z5394/BYG9205 Z5394/BYG9205	1			
022	DIFFUSER AND GASKET ASSEMBLY. (INCLUDES WNB 023 AND WNB 024, ALSO PART OF WNB 011)	Z2796/PMDO Z5394/HYM21	1			

* GRADE OF REPAIR (LIGHT MEDIUM OR HEAVY)

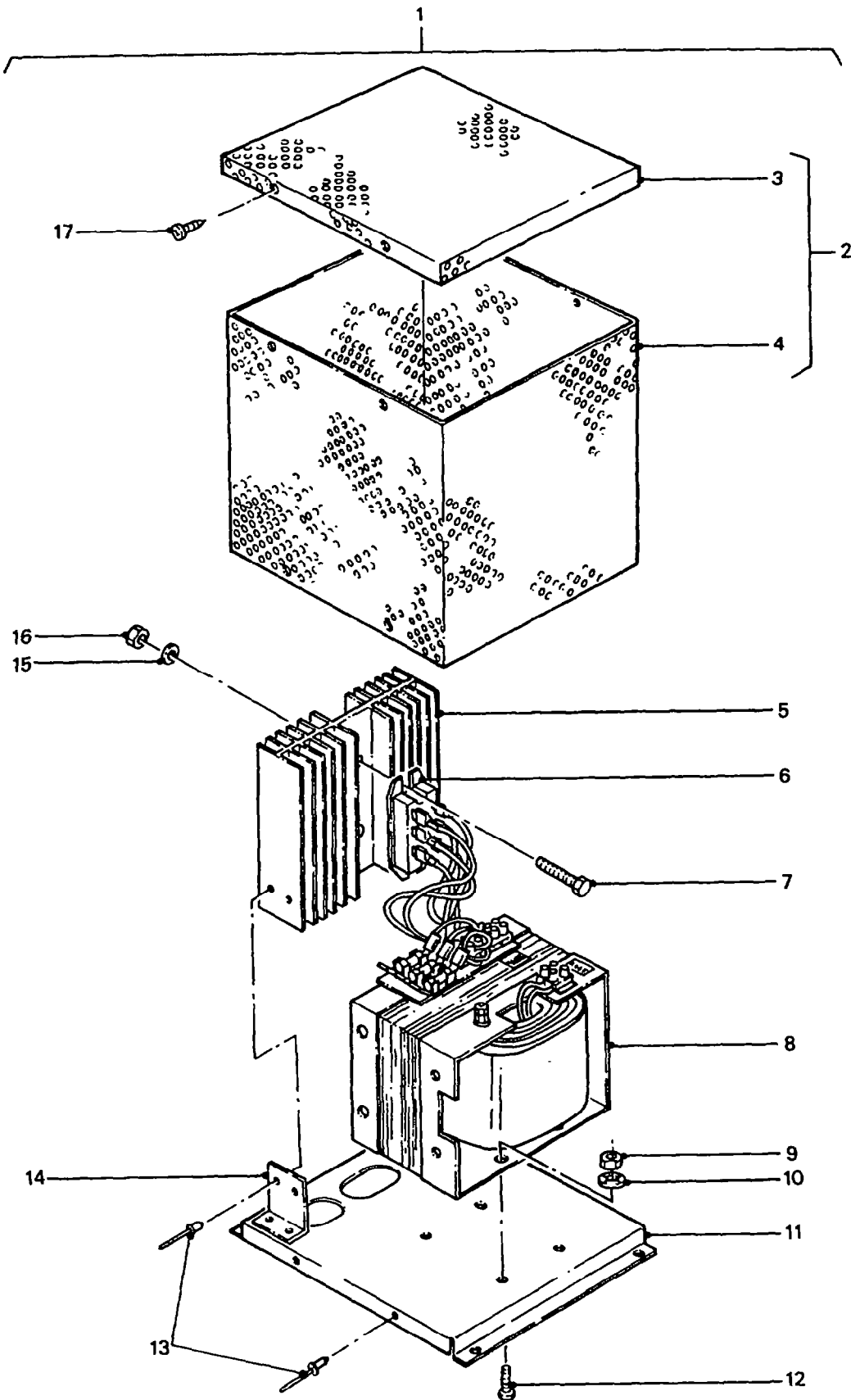


INTERIOR LAMPS - MODULE

GROUP WNB
TITLE INTERIOR LAMPS - MODULE

ITEM NO	DESIGNATION	NSN MANUFACTURER CODE/PART NO SUPPLIER CODE/PART NO	NO OFF	H O	E X	L M*
023	GASKET, 740 MM LG., 210 MM W., 4 M THK., FOAM. (USE WNB 022)	/NIL /NIL	1			
024	DIFFUSER, OPAL. (USE WNB 022)	/NIL /NIL	1			
025	SCREW, RECESSED RAISED COUNTERSUNK HD., NUMBER 8 GAUGE, 1-1/2 IN. LG., ZINC PLATED, POINTED, SELF TAPPING.	U1030/AD608068 Z5394/AD608068	10			
026	WASHER, CUP, NUMBER 8, BRASS, NICKEL PLATED.	ZE664/119B ZE664/119B	10			
027	NUT, HEX., 4 MM DIA., ZINC PLATED.	Z5394/NH104041 Z5394/NH104041	1			
028	WASHER, LOCK, STEEL, INTERNAL TEETH, ZINC PLATED, 4 MM SCREW SIZE	U1030/WF104001 Z5394/WF104001	2			
029	BALLAST. (ALSO PART OF WNB 011)	Z2796/EC36/40 Z5394/HYM22	1			

* GRADE OF REPAIR (LIGHT MEDIUM OR HEAVY)



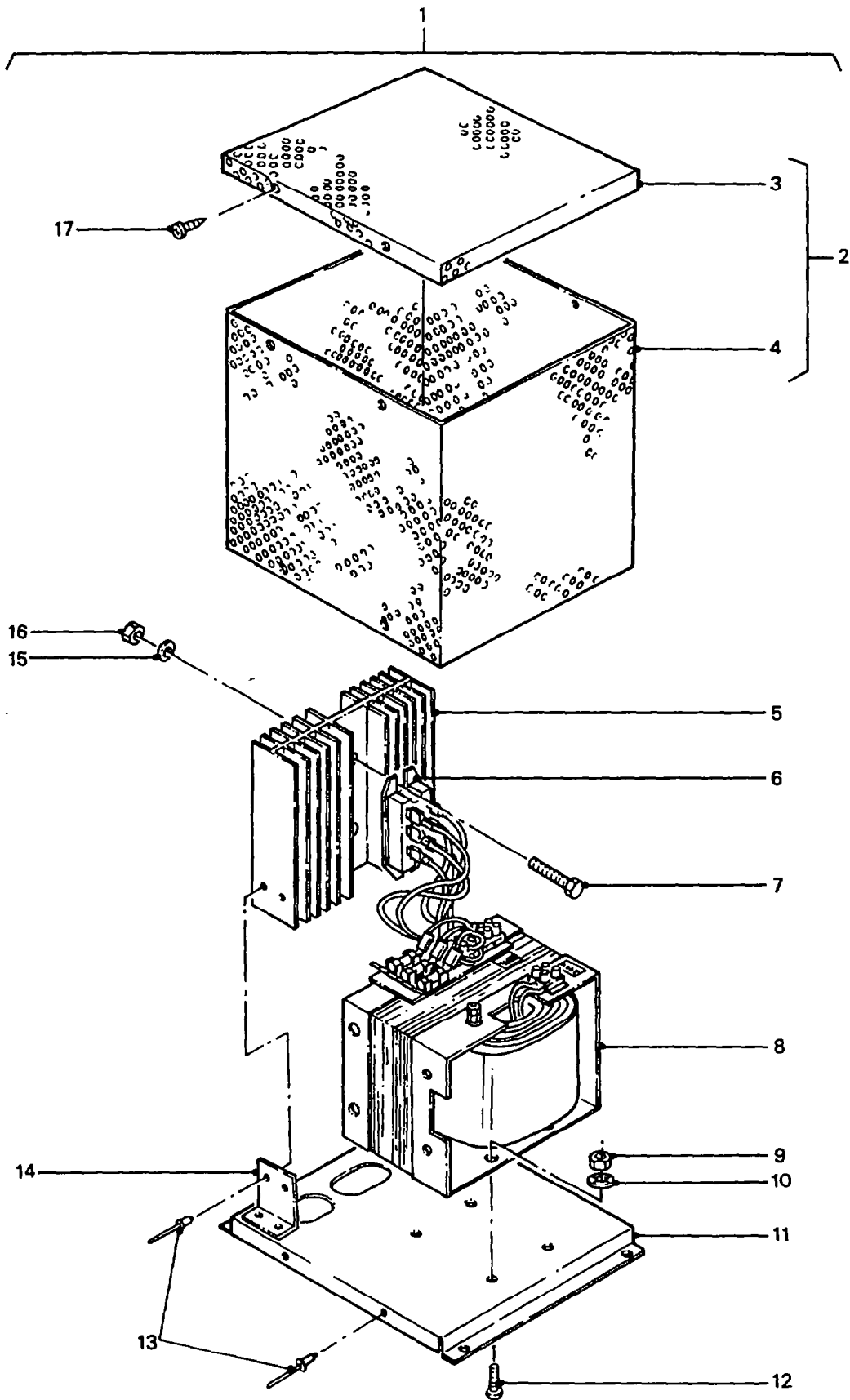
**TRANSFORMER ASSEMBLY - 240 VOLT
TO 24 VOLT**

GROUP WNC

TITLE TRANSFORMER ASSEMBLY - 240 VOLT TO 24 VOLT

ITEM NO	DESIGNATION	NSN MANUFACTURER CODE/PART NO SUPPLIER CODE/PART NO	NO OFF	U O I	E X P	L* M* H*
001	TRANSFORMER ASSEMBLY, COMPLETE, 240 VOLT TO 240 VOLT. (INCLUDES WNC 002 TO WNC 017)	ZV053/09-4008 Z5394/HYM303	1			
002	ENCLOSURE ASSEMBLY, TRANSFORMER. (INCLUDES WNC 003 AND WNC 004)	ZV053/09-4010 Z5394/HYM304	1			
003	LID. (USE WNC 002)	/NIL /NIL	1			
004	BODY. (USE WNC 002)	/NIL /NIL	1			
005	SINK, HEAT.	ZV053/09-3015 Z5394/HYM305	1			
006	DIODE.	ZV053/09-3011 Z5394/HYM306	1			
007	SCREW, SLOTTED CHEESE HD., 1/16 IN. DIA., 2-1/2 IN. LG., BA THD., ZINC PLATED.	/NIL /NIL	2			
008	TRANSFORMER, 240/24 VOLT, AC.	ZV053/09-4009 Z5394/HYM307	1			
009	NUT, PLAIN, HEXAGON, STEEL, 6 MM, ZINC PLATED	U1030/NH106041 Z5394/NH106041	4			
010	WASHER, INTERNAL TOOTH, 6 MM I.D., ZINC PLATED	U1030/WF106001 Z5394/WF106001	4			
011	BASE.	/NIL /NIL	1			
012	SCREW, MACHINE, ISO METRIC, STEEL, PAN HD., CROSS RC DRIVE, ZINC COATED, 6 MM BY 20 MM LG.	U1030/SE106201 Z5394/SE106201	4			
013	RIVET, POP, 3.2 MM DIA., 13 MM LG., ALUMINIUM.	Z0549/73AS46 Z5394/HYL9927	8			

* GRADE OF REPAIR (LIGHT MEDIUM OR HEAVY)



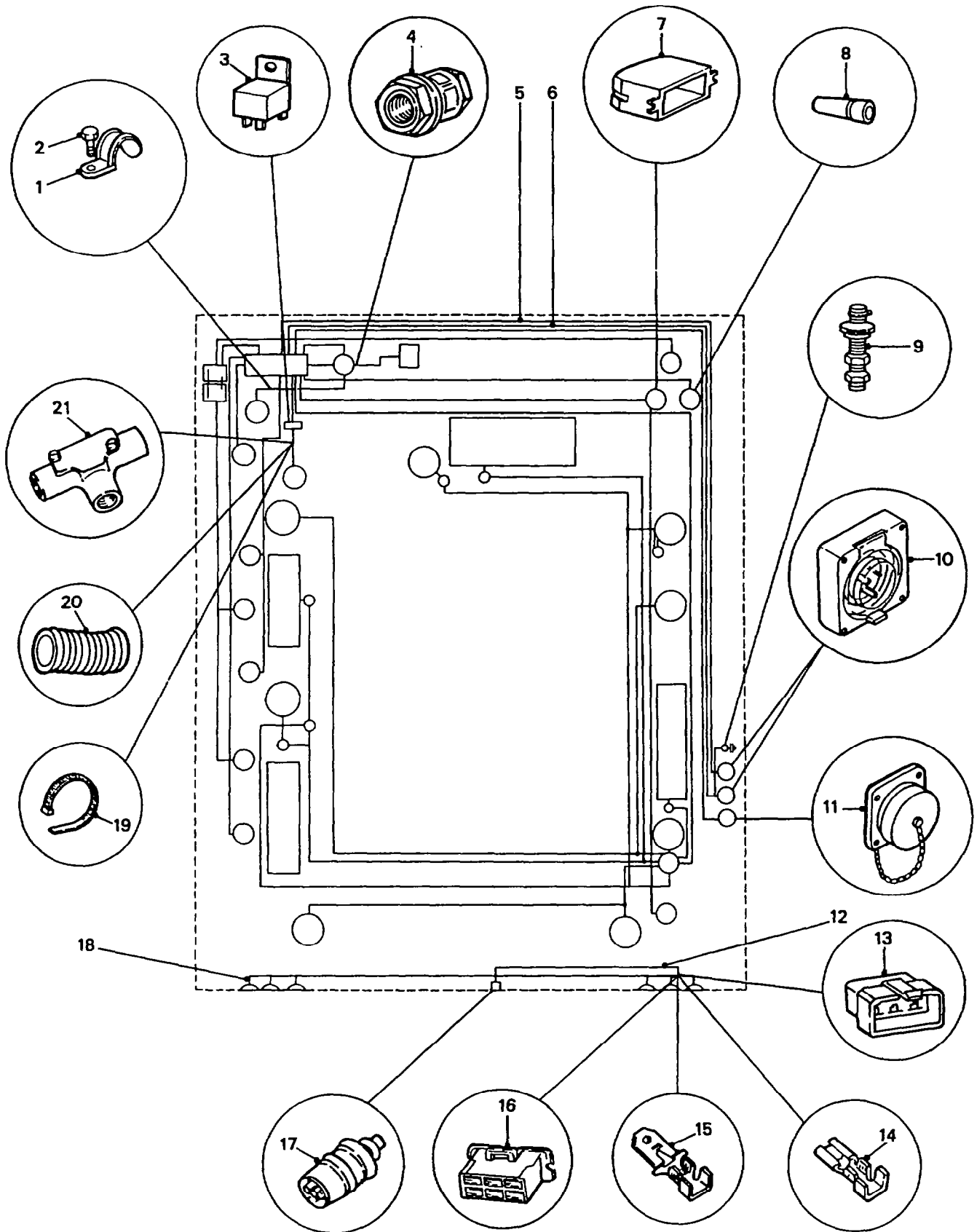
**TRANSFORMER ASSEMBLY - 240 VOLT
TO 24 VOLT**

GROUP WNC

TITLE TRANSFORMER ASSEMBLY - 240 VOLT TO 24 VOLT

ITEM NO	DESIGNATION	NSN MANUFACTURER CODE/PART NO SUPPLIER CODE/PART NO	NO OFF	U O	E X	L* M* H*
014	BRACKET, HEAT SINK MOUNTING.	/NIL /NIL	2			
015	WASHER, INTERNAL TOOTH, 5 MM I.D., ZINC PLATED.	U1030/WF105001 Z5394/WF105001	2			
016	NUT, 1/16 IN. THD. DIA., STEEL, MEDIUM TENSILE, ZINC PLATED.	/NIL /NIL	2			
017	SCREW, RECESSED PAN HD., 1/2 IN. DIA., 1/2 IN LG., ZINC PLATED.	U1030/AB608041 Z5394/AB608041	4			

* GRADE OF REPAIR (LIGHT MEDIUM OR HEAVY)

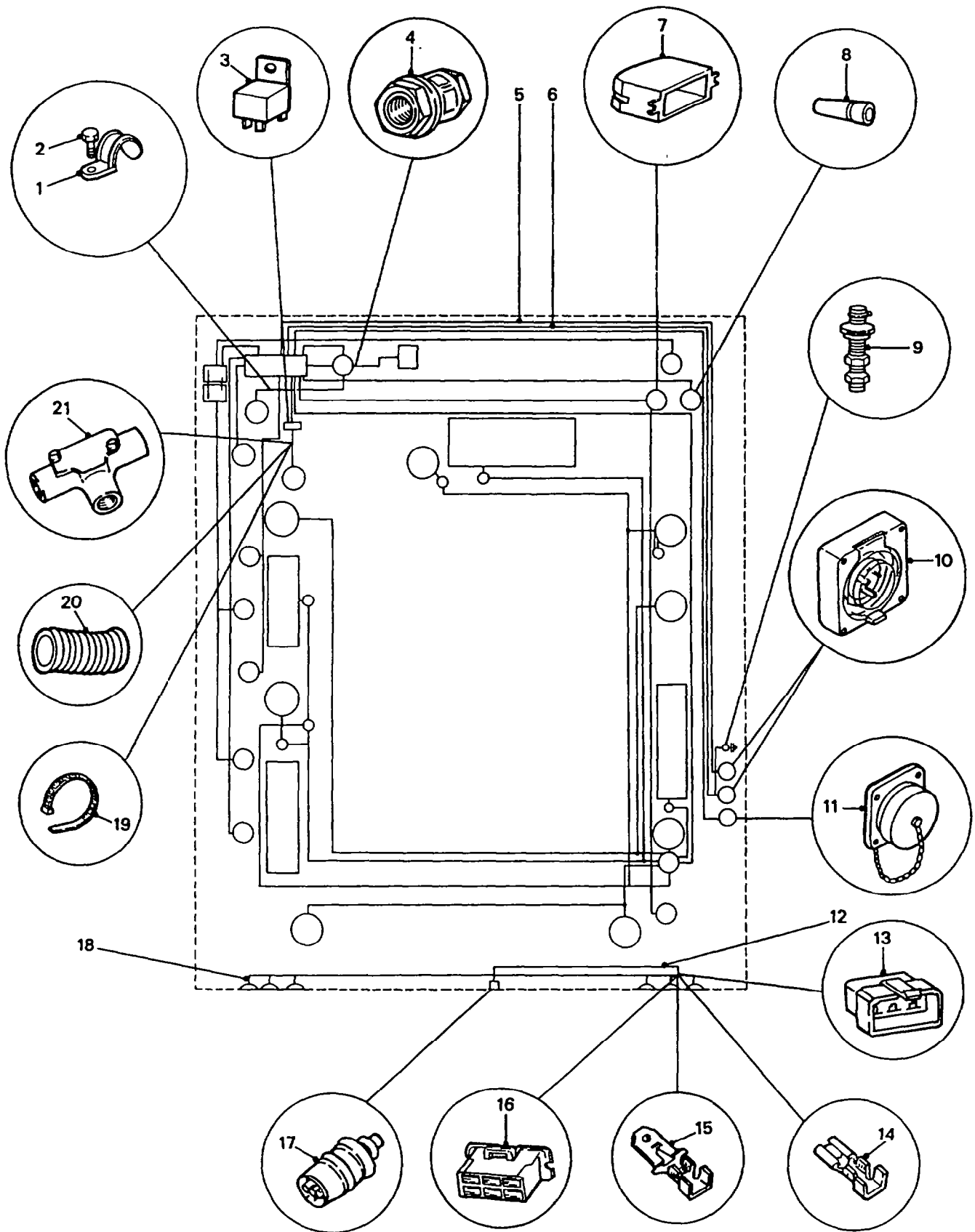


REAR WIRING HARNESSES AND FITTINGS - MODULE

GROUP WND
TITLE REAR WIRING HARNESSSES AND FITTINGS - MODULE

ITEM NO	DESIGNATION	NSN MANUFACTURER CODE/PART NO SUPPLIER CODE/PART NO	NO OFF	U O I P	E X P H	L* M* H*
001	CLIP, SADDLE, 25 MM.	ZOH88/261/25 Z5394/HYM234	2			
002	SCREW, RECESSED PAN HD., NO. 6 GAUGE, 3/4 IN. LG., ZINC PLATED.	U1030/AB606061 Z5394/GHF422	2			
003	RELAY, ELECTROMAGENETIC 12 VOLT, 70 AMP (REFER QBB 003)	Z0645/3084 Z5394/HYM113	7			
901	RELAY, 24 VOLT. (REFER GROUP WNE 014)	ZA231/HL2 Z5394/HYM70	1			
004	GLAND NUT, 20 MM.	ZA231/M16 Z5394/HYM235	2			
005	WIRING, 240 VOLT - 415 VOLT, 2.5 MM SQUARE, 50/0.25, TINNED, V105, 600V. (MANUFACTURE FROM WND 906)	/NIL /NIL	1			
006	WIRING, 24 VOLT, 1.5 MM SQUARE, 3010.25, TINNED, V105, 600V. (MANUFACTURE FROM WND 907)	/NIL /NIL	1			
007	SHROUD, INSULATION.	ZOH88/90F Z5394/HYM236	3			
008	SHROUD, INSULATION.	ZOH88/90B Z5394/HYM237	3			
009	STUD, EARTH. (USE WN 018)	/NIL /NIL	1			
010	SOCKET, ELECTRICAL, 240 VOLT 15 AMP, 3 FLAT PIN. (REFER GROUP WN 001)	ZOH88/56A1315LE Z5394/HYM197	2			
011	SOCKET, ELECTRICAL, 415 VOLT, 46.7 MM O.D., 41.4 MM PLUG DIA. (REFER WN 010)	ZE541/CA3102E28-R1446PB Z5394/HYM201	1			

* GRADE OF REPAIR (LIGHT MEDIUM OR HEAVY)

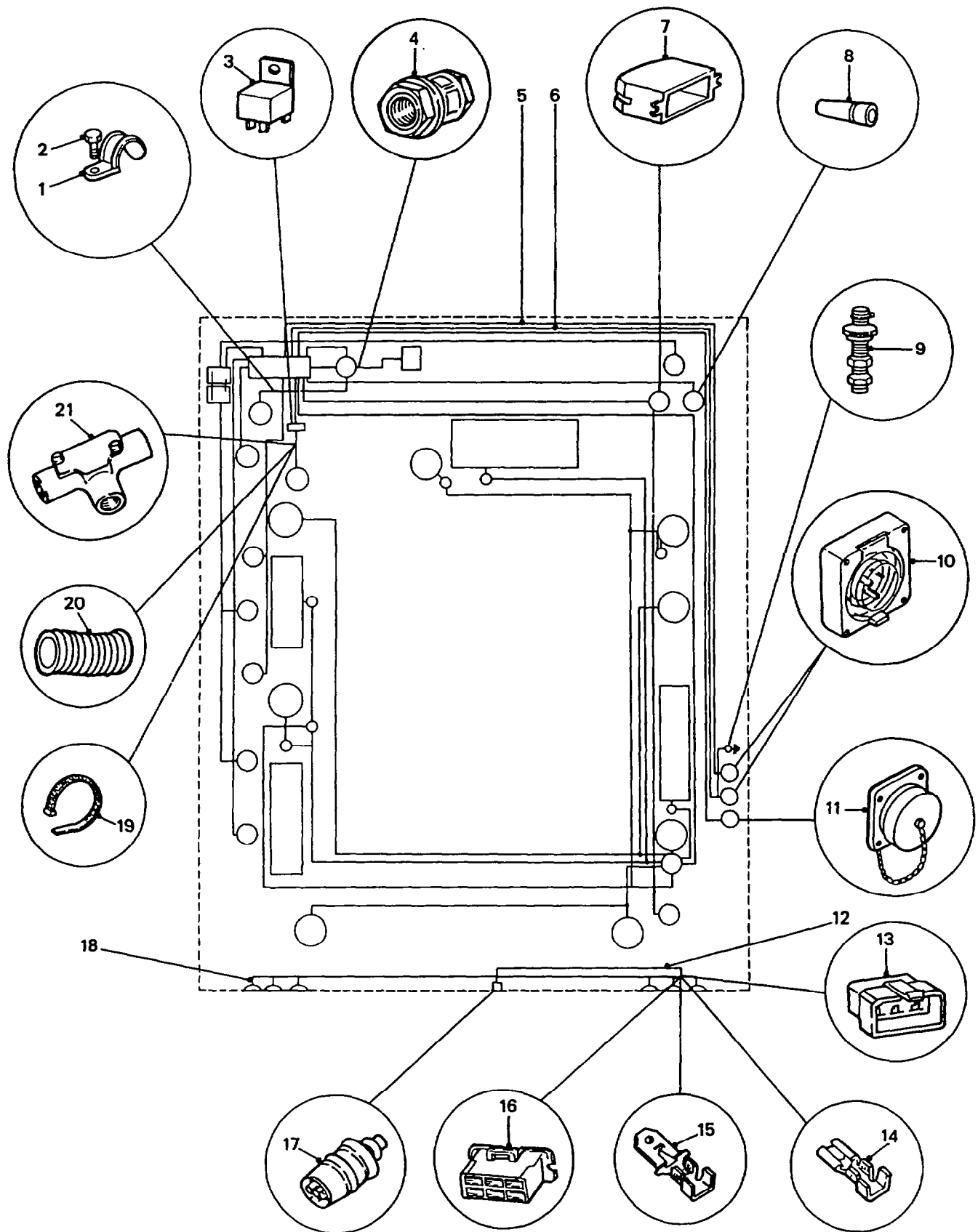


REAR WIRING HARNESSES AND FITTINGS - MODULE

GROUP WND
TITLE REAR WIRING HARNESSSES AND FITTINGS - MODULE

ITEM NO	DESIGNATION	NSN MANUFACTURER CODE/PART NO SUPPLIER CODE/PART NO	NO OFF	U O I	E X P	L* M* H*
012	HARNESS ASSEMBLY, TRAILER PLUG TO HIGH LEVEL LIGHTS, 4100 MM LG. (INCLUDES WND 013, WND 014, WND 020 AND WND 903)	Z4976/720086 Z5394/HYM238	1			
013	HOUSING, CONNECTOR, 31.7 MM LG., 24.5 MM W., 15.9 MM H. (ALSO PART OF WND 012)	Z0220/3322-6 Z5394/HYM242	1			
014	TERMINAL, 24.5 MM LG., 0.40 MM THK., BRASS NATURAL. (ALSO PART OF WND 012)	Z0220/H2832 Z0220/H2832	2			
015	RECEPTACLE, FEMALE, 19.8 MM LG., 0.30 MM THK., BRASS, NATURAL. (ALSO PART OF WND 018)	Z0220/H3555 Z0220/H3555	2			
016	HOUSING, CONNECTOR, 37.9 MM LG., 24.5 MM W., 13.9 MM H. (ALSO PART OF WND 018)	Z9229/3327-6 Z5394/HYM241	1			
017	CONNECTOR, PLUG, ELECTRICAL	5935 66-055-1377 Z0220/H1716 Z5394/HYM384	1	EA	X	LMH
018	HARNESS ASSEMBLY, HIGH LEVEL LIGHTS, 3 M LG. (INCLUDES WND 015, WND 016 AND WND 902, ALSO PART OF WQ 001)	Z4976/720085 Z5394/HYM30	1			
902	CONDUIT, 16 MM DIA., 3 M LG., BLACK. (MANUFACTURE FROM WND 904, ALSO PART OF WND 018)	/NIL /NIL	1			
903	CONDUIT, 20 MM DIA., 600 MM LG., BLACK (MANUFACTURE FROM WND 905, ALSO PART OF WND 012)	/NIL /NIL	1			
019	TIE, CABLE, 156 MM LG., NYLON, BLACK.	ZM359/PLC1.51-88-CO Z5394/MYH1763	3			
020	CONDUIT, 20 MM DIA., 2500 MM LG., GREY. (MANUFACTURE FROM WND 908, ALSO PART OF WND 012)	/NIL /NIL	1			

* GRADE OF REPAIR (LIGHT MEDIUM OR HEAVY)

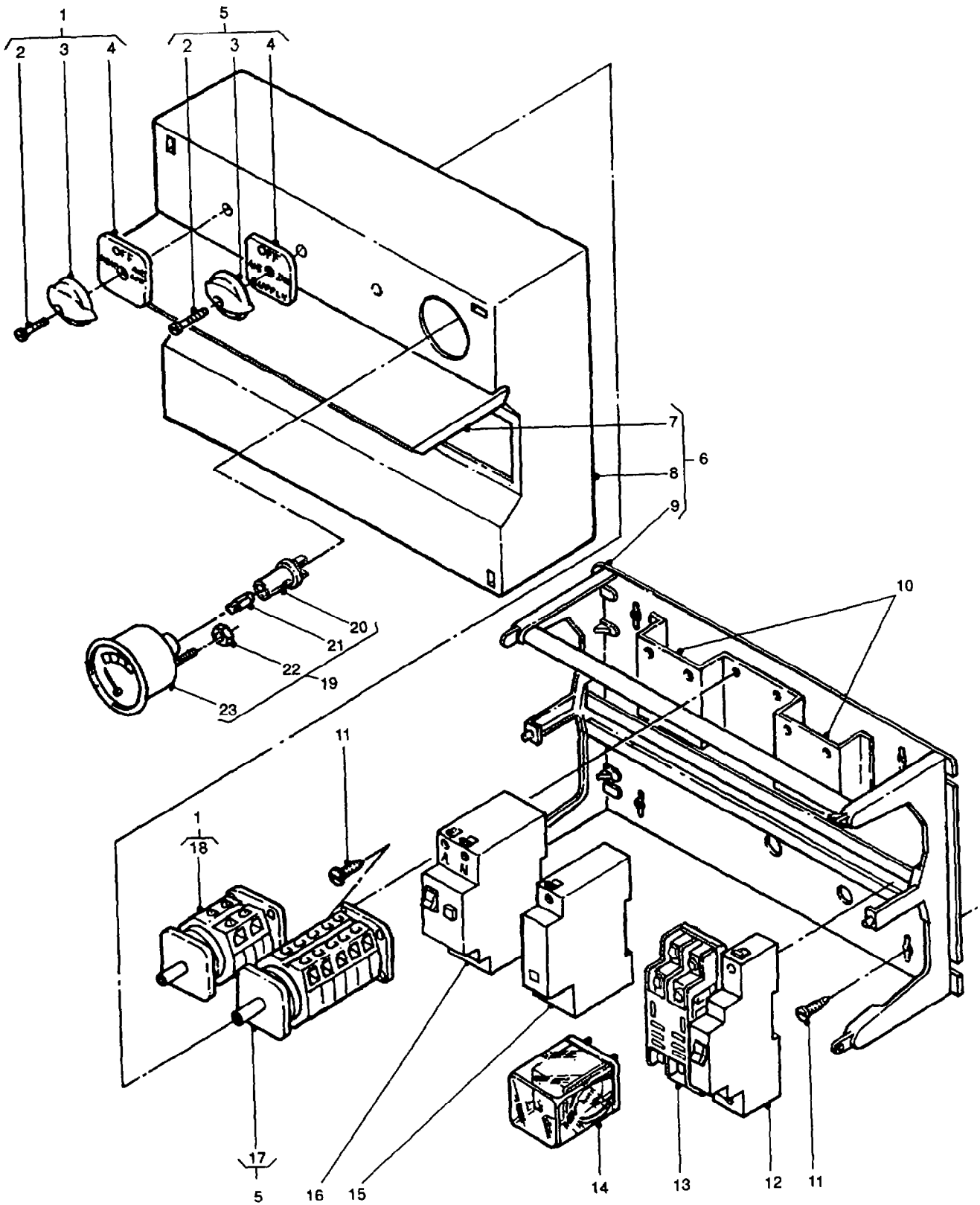


REAR WIRING HARNESSES AND FITTINGS - MODULE

GROUP WND
TITLE REAR WIRING HARNESSSES AND FITTINGS - MODULE

ITEM NO	DESIGNATION	NSN MANUFACTURER CODE/PART NO SUPPLIER CODE/PART NO	NO OFF	U	E	L*
				O	X	M*
				I	P	H*
021	TEE, INSPECTION, 20 MM, 3 WAY	ZOH88/246/20 Z5394/HYM244	1			
904	CONDUIT, CORRUGATED 16 MM DIA., 20 M BULK LG., BLACK. (USE AS REQUIRED)	ZA231/40303/12 ZA231/40303/12	1			
905	CONDUIT, CORRUGATED 20 MM DIA., 20 M BULK LG., BLACK. (USE AS REQUIRED)	ZA231/50304/12 ZA231/50304/12	1			
906	WIRING, ELECTRICAL, 240-415 VOLT, 100 M BULK LG., 2.5 MM SQUARE, 50/025, TINNED, V105, 600V, VARIOUS COLOURS. (ORDER BY DESCRIPTION, USE AS REQUIRED)	Z0499/NIL Z0499/NIL	1			
907	WIRING, ELECTRICAL, 24 VOLT, 100 M BULK LG., 1.5 MM SQUARE, 3010.25, TINNED, V105, 600V., VARIOUS COLOURS. (ORDER BY DESCRIPTION, USE AS REQUIRED)	Z0499/NIL Z0499/NIL	1			
908	CONDUIT, CORRUGATED, 20 MM DIA., 50 M BULK LG., GREY. (USE AS REQUIRED)	ZOH88/9020CM ZOH88/9020CM	1			

* GRADE OF REPAIR (LIGHT MEDIUM OR HEAVY)

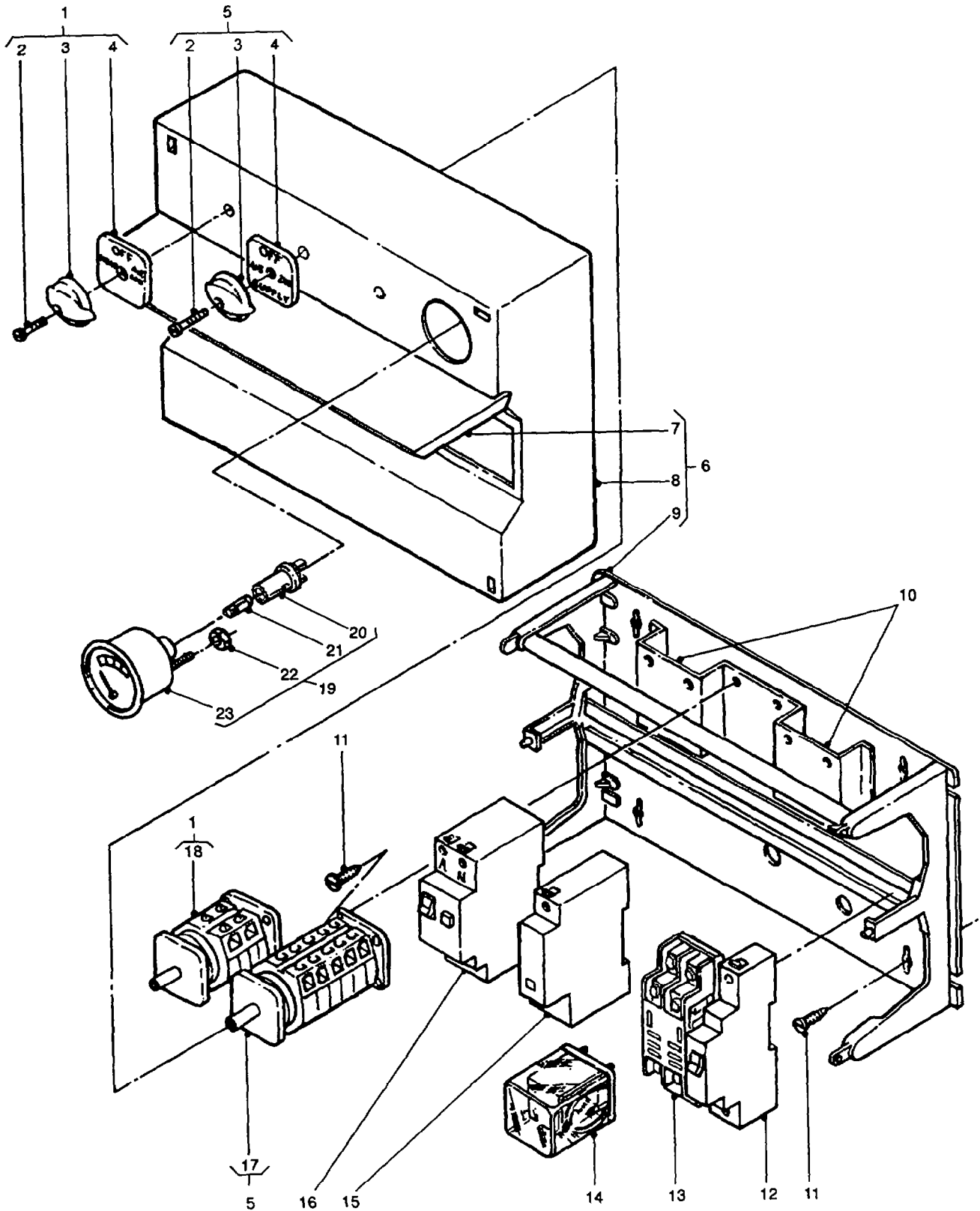


CIRCUIT BREAKERS, VOLTAGE SELECTOR SWITCHES, VOLTMETER AND MOUNTINGS

GROUP WNE
TITLE CIRCUIT BREAKERS, VOLTAGE SELECTOR SWITCHES,
 VOLTMETER AND MOUNTINGS

ITEM NO	DESIGNATION	NSN MANUFACTURER CODE/PART NO SUPPLIER CODE/PART NO	NO OFF	U O I P	E X P H*	L* M* H*
001	SWITCH, HEATER	5930 66-128-6044 D1432/CA20-A211 Z5394/HYM61	2	EA	X	LMH
002	SCREW, KNOB RETAINING, 2.5 MM DIA., 10 MM LG., 0.45 MM PITCH, ROUNDHEAD PITCH, ROUNDHEAD. (ALSO PART OF WNE 001 AND WNE 005)	D1432/SOCG000-03 Z5394/HYM62	1			
003	KNOB HEATER SWITCH (ALSO PART OF WNE 001 AND WNE 005)	5355 66-128-6045 D1432/SOCG001 Z5394/HYM63	1	EA	X	LMH
004	BEZEL, VOLTAGE SELECTOR SWITCH (ENGRAVING TO BE ORDERED AS REQUIRED. ALSO PART OF WNE 001 AND WNE 005)	D1432/SOF990-PE D1432/SOF990-PE	1			
005	SWITCH, VOLTAGE SELECTOR 240 VOLT-415 VOLT. SWITCH, VOLTAGE SELECTOR. (INCLUDES WNE 002 TO WNE 004 AND WNE 017)	5930 66-128-6046 D1432/AUM285 Z5394/HYM64	1	EA	X	LMH
006	PLATE, MOUNTING, HOUSING AND LID ASSEMBLY (INCLUDES WNE 007 TO WNE 009)	ZA231/CT180 Z5394/HYM65	1			
007	LID, HOUSING, PLASTIC, CREAM. (ALSO PART OF WNE 006)	ZA231/P018 Z5394/HYM66	1			
008	HOUSING, MOULDED PLASTIC, WHITE. (USE WNE 006)	/NIL /NIL	1			
009	PLATE, MOUNTING. (USE WNE 006)	/NIL /NIL	1			
010	BRACKET, SWITCH MOUNTING.	ZC691/720082 Z5394/HYM67	2			
011	SCREW, SELF DRILLING, 7 MM DIA., 20 MM LG., POINTED, PHILLIPS HD.	ZOH88/357/20 Z5394/HMY81	8			
012	CIRCUIT BREAKER, 250 V, 20 A 8 KVA, 50/60 HZ, SINGLE POLE	5925 66-128-6049 Z0362/4CB120 Z5394/HYM68	2	EA	X	LMH

* GRADE OF REPAIR (LIGHT MEDIUM OR HEAVY)



CIRCUIT BREAKERS, VOLTAGE SELECTOR SWITCHES, VOLTMETER AND MOUNTINGS

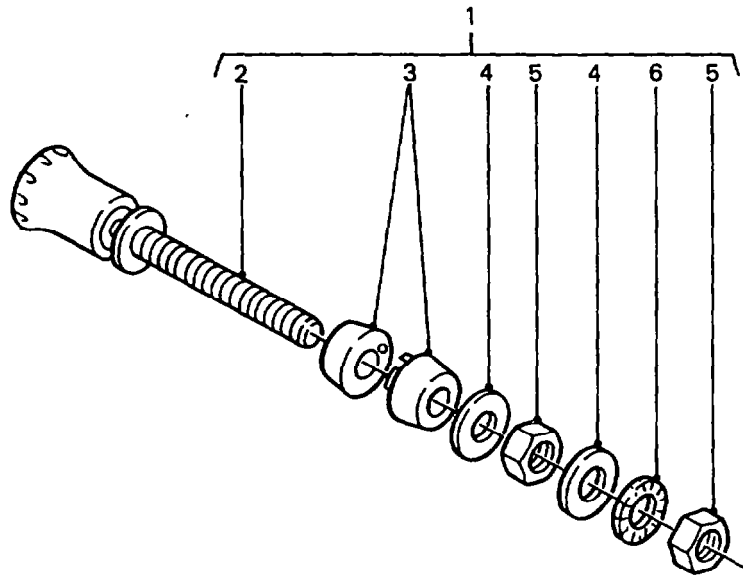
GROUP WNE

TITLE CIRCUIT BREAKERS, VOLTAGE SELECTOR SWITCHES,
VOLTMETER AND MOUNTINGS

ITEM NO	DESIGNATION	NSN MANUFACTURER CODE/PART NO SUPPLIER CODE/PART NO	NO OFF	U O I P	E X P H	L* M* H*
901	PLATE, DIVIDER, 240 VOLT, FROM 24 V, 200 M LG., 75 MM W., 0.9 MM THK, ALUMINIUM ALUMINIUM.	Z4976/720264 Z5394/HYM232	1			
013	BLOCK, RELAY MOUNTING.	ZA231/HL2-SFD Z5394/HYM69	1			
014	RELAY, ELECTROMAGNETIC 10 AMP, 250 V AC RELAY, ELECTROMAGNETIC.	5945 66-128-6111 ZA231/HL2-250AC Z5394/HYM70	1	EA	X	LMH
015	ARRESTOR, OVER-VOLTAGE, 280 V., DIN MOUNTED	ZOH88/970 ZOH88/970	5			
016	CIRCUIT BREAKER COMBINED RESIDUAL CURRENT AND OVER CURRENT, 250 VOLT, 16 AMP, 30 MA TRIP CURRENT, DIN RAIL MOUNTING	5925 66-128-6050 Z0362/4EBE216/30 Z5394/HYM71	3	EA	X	LMH
017	BODY, SWITCH. (USE WNE 005)	/NIL /NIL	1			
018	BODY, SWITCH. (USE WNE 001)	/NIL /NIL	1			
019	VOLTMETER PANEL TYPE, DIAL W/ POINTER, 20 TO 32 VOLTS DC (INCLUDES WNE 020 TO WNE 023)	6625 66-122-4792 Z1315/332.303 Z5394/BYG9024	1	EA	A	LMH
020	HOLDER, LAMP. (USE WNE 019)	Z1315/P40240-013 Z5394/HYM73	1			
021	LAMP, INCANDESCENT TRANSPARENT, 24 V, 3 W (ALSO PART OF WNE 019)	6240 66-023-2549 Z0645/J243 Z5394/HYM74	1	EA	X	
022	NUT, GAUGE SECURING, HEX., 4 MM DIA., 0.7 MM PITCH (USE WNE 019)	/NIL /NIL	2			
023	GAUGE, VOLTMETER. (USE WNE 019)	/NIL /NIL	1			

ISSUE NO: 1 REPAIR PARTS SCALE : 02222 PAGE NO: 141

* GRADE OF REPAIR (LIGHT MEDIUM OR HEAVY)



**TEST TERMINALS - 0 VOLT, 12 VOLT
AND 24 VOLT**

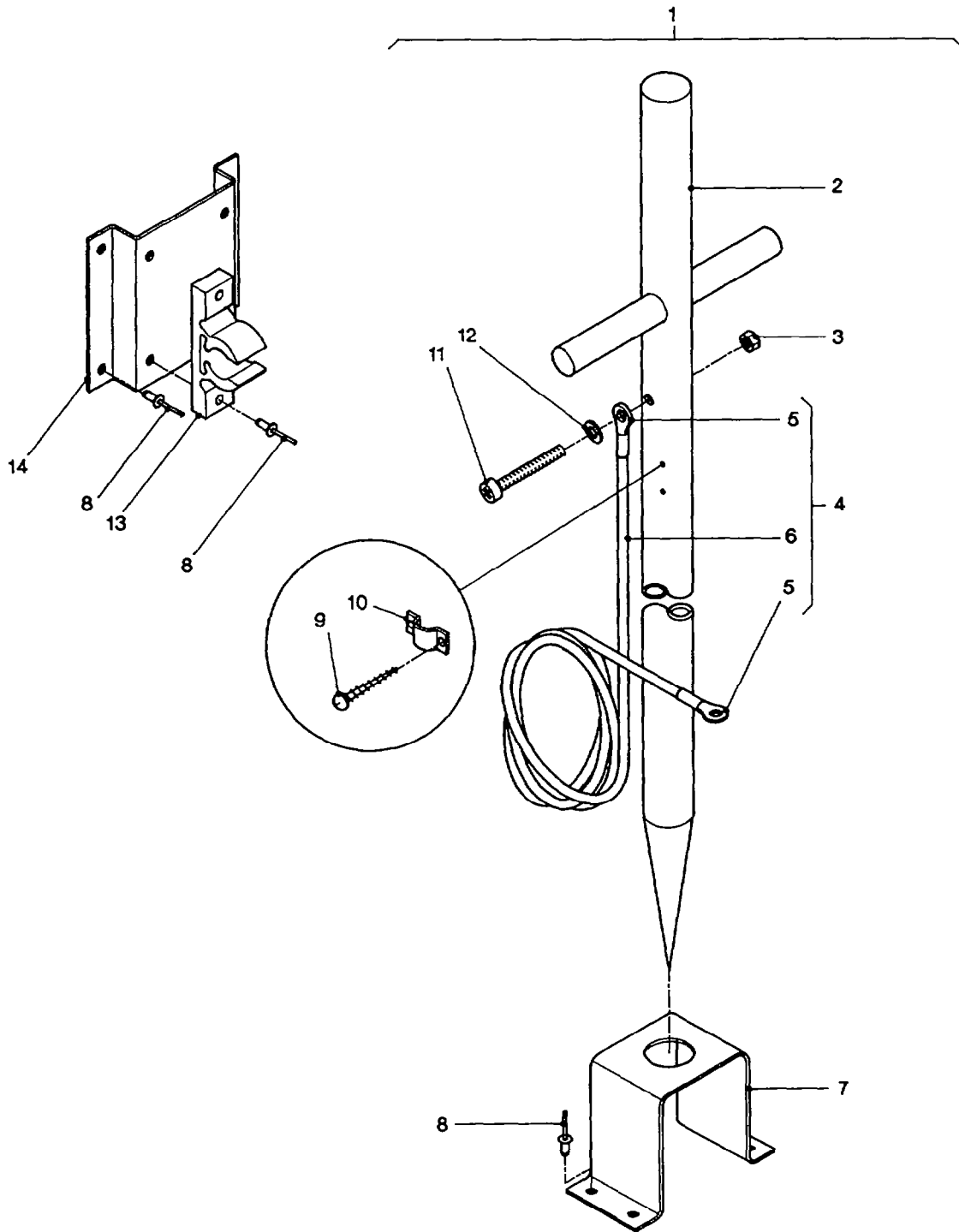
GROUP WNF

TITLE TEST TERMINALS - 0 VOLT, 12 VOLT AND 24 VOLT

ITEM NO	DESIGNATION	NSN MANUFACTURER CODE/PART NO SUPPLIER CODE/PART NO	NO OFF	U O I	E X P	L* M* H*
001	TERMINAL ASSEMBLY, TEST BLACK. (INCLUDES WNF 002 TO WNF 006)	U2922/32960 Z5394/HYM14	3			
901	TERMINAL ASSEMBLY, TEST, RED (INCLUDES WNF 002 TO WNF 006)	U2922/32962 Z5394/HYM15	3			
902	TERMINAL ASSEMBLY, TEST, BLUE (INCLUDES WNF 002 TO WNF 006)	U2922/32966 Z5394/HYM16	3			
903	TERMINAL ASSEMBLY, TEST, EARTH, GREEN AND YELLOW. (INCLUDES WNF 002 TO WNF 006)	U2922/32965 Z5394/HYM32	3			
002	POST, TERMINAL. (USE WNF 001, WNF 901, WNF 902 OR WNF 903)	/NIL /NIL	1			
003	INSULATOR, PLASTIC. (USE WNF 001, WNF 901, WNF 902 OR WNF 903)	/NIL /NIL	2			
004	WASHER, FLAT, ISO, STEEL, RD., ZINC PLATED, 8 MM I.D. BY 17 MM O.D. BY 1.60 MM THK., K0195 BS4320-1968 (ALSO PART OF WNF 001, WNF 901, WNF 902 AND WNF 903)	Z5394/JFW105/E Z5394/JFW105/E	2			
005	NUT, PLAIN, HEXAGON, ISO METRIC, 6H, GRADE 8 STEEL, CAP PLATED AND PASSIVATED, 8 MM DIA., 13 MM W. A/F, 6.50 MM H. O/A (ALSO PART OF WNF 001, WNF 901, WNF 902 AND WNF 903)	U1030/FN108041 Z5394/FN108041	2			
006	WASHER, LOCK, SHAKEPROOF, EXTERNAL TEETH, 8 MM I.D. (ALSO PART OF WNF 001, WNF 901, WNF 902 AND WNF 903)	Z5394/WE108001 Z5394/WE108001	1			

ISSUE NO: 1 REPAIR PARTS SCALE : 02222 PAGE NO: 142

* GRADE OF REPAIR (LIGHT MEDIUM OR HEAVY)

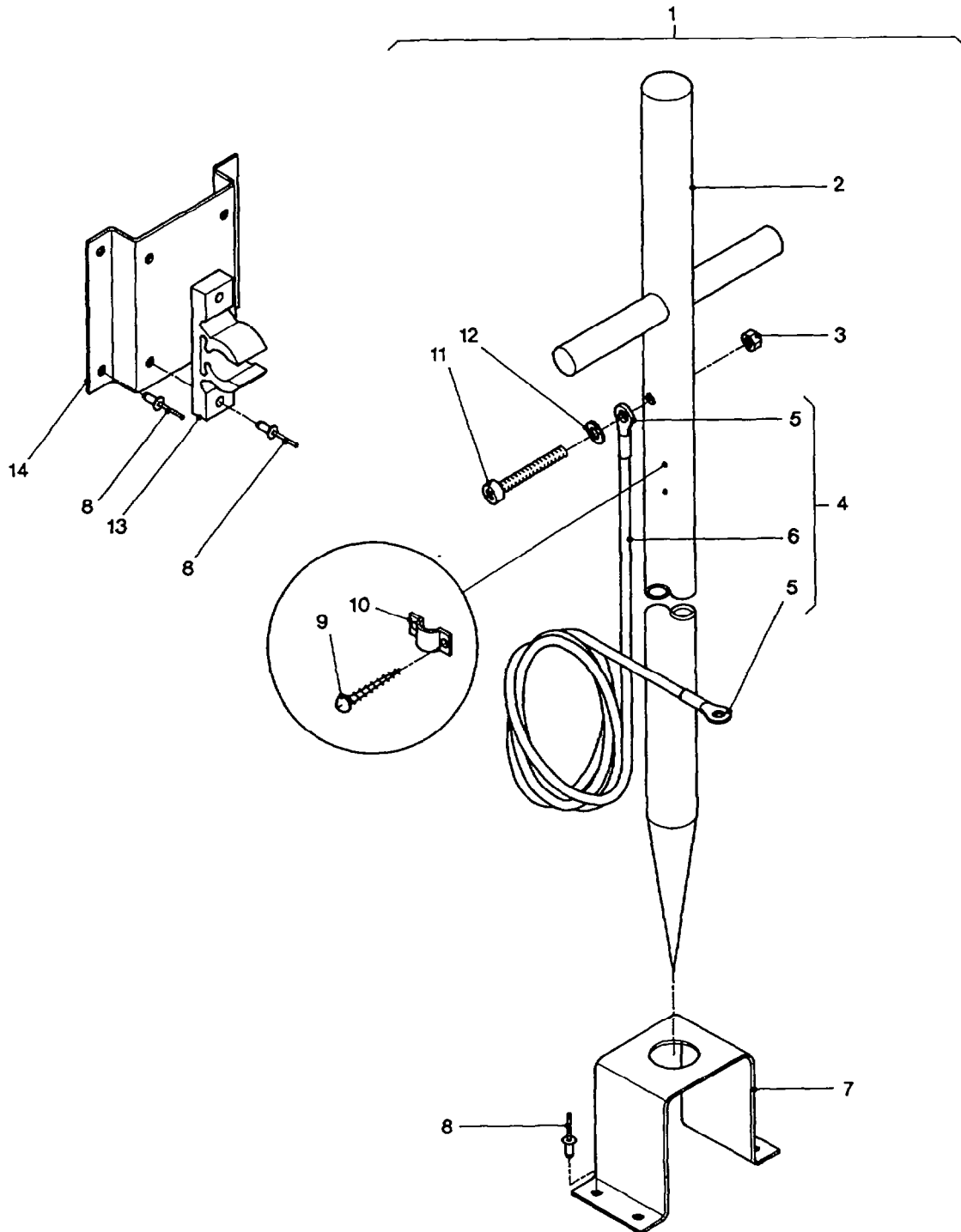


EARTH SPIKE ASSEMBLY

GROUP WNG
TITLE EARTH SPIKE ASSEMBLY

ITEM NO	DESIGNATION	NSN MANUFACTURER CODE/PART NO SUPPLIER CODE/PART NO	NO OFF	U O	E X	L* M* H*
001	STAKE ASSEMBLY, EARTH. (INCLUDES WNG 002 TO WNG 004, AND WNG 009 TO WNG 012)	Z4976/720277 Z4976/720277	1			
002	STAKE, EARTH. (ALSO PART OF WNG 001)	Z4976/720278 Z4976/720278	1			
003	NUT, HEX., NYLON INSERT, 6 MM, COARSE THD., STEEL, MEDIUM TENSILE, ZINC PLATED. (ALSO PART OF WNG 001)	ZOF88/02093303 ZOF88/02093303	1			
004	CABLE ASSEMBLY, EARTH (INCLUDES WNG 005 AND WNG 006, ALSO PART OF WNG 001)	Z4976/720279 Z4976/720279	1			
005	LUG, ELECTRICAL. (ALSO PART OF WNG 004)	Z4976/R16M8 Z4976/R16M8	2			
006	CABLE, EARTH, 1800 MM LG., 10 MM SQ. DIA., 7 STRANDS OF 1.35 MM SQ. CONDUCTOR. (USE WNG 004 OR MANUFACTURE FROM WNG 901)	/NIL /NIL	1			
007	BRACKET, MOUNTING, LOWER, EARTH STAKE, 100 MM W., 80 MM H., 50 MM D., 2 MM THK STAINLESS STEEL.	Z4976/720281 Z4976/720281	1			
008	RIVET, POP, 4.8 MM DIA., 13 MM LG., ALUMINIUM	Z0549/73AS65 Z5394/HYL9945	12			
009	SCREW, PAN HD., PHILLIPS, SELF TAPPING, POINTED, 10 GAUGE, 18 MM LG., ZINC PLATED. (ALSO PART OF WNG 001)	ZOF88/05368006 ZOF88/05368006	4			
010	CLIP, SADDLE, NYLON COATED, 6 MM DIA. (USE WNG 001)	/NIL /NIL	2			
011	SCREW, MACHINE, PAN HD., PHILLIPS, 6 MM, COARSE THD., 50 MM LG., ZINC PLATED. (ALSO PART OF WNG 001)	ZOF88/158875 ZOF88/158875	1			

* GRADE OF REPAIR (LIGHT MEDIUM OR HEAVY)

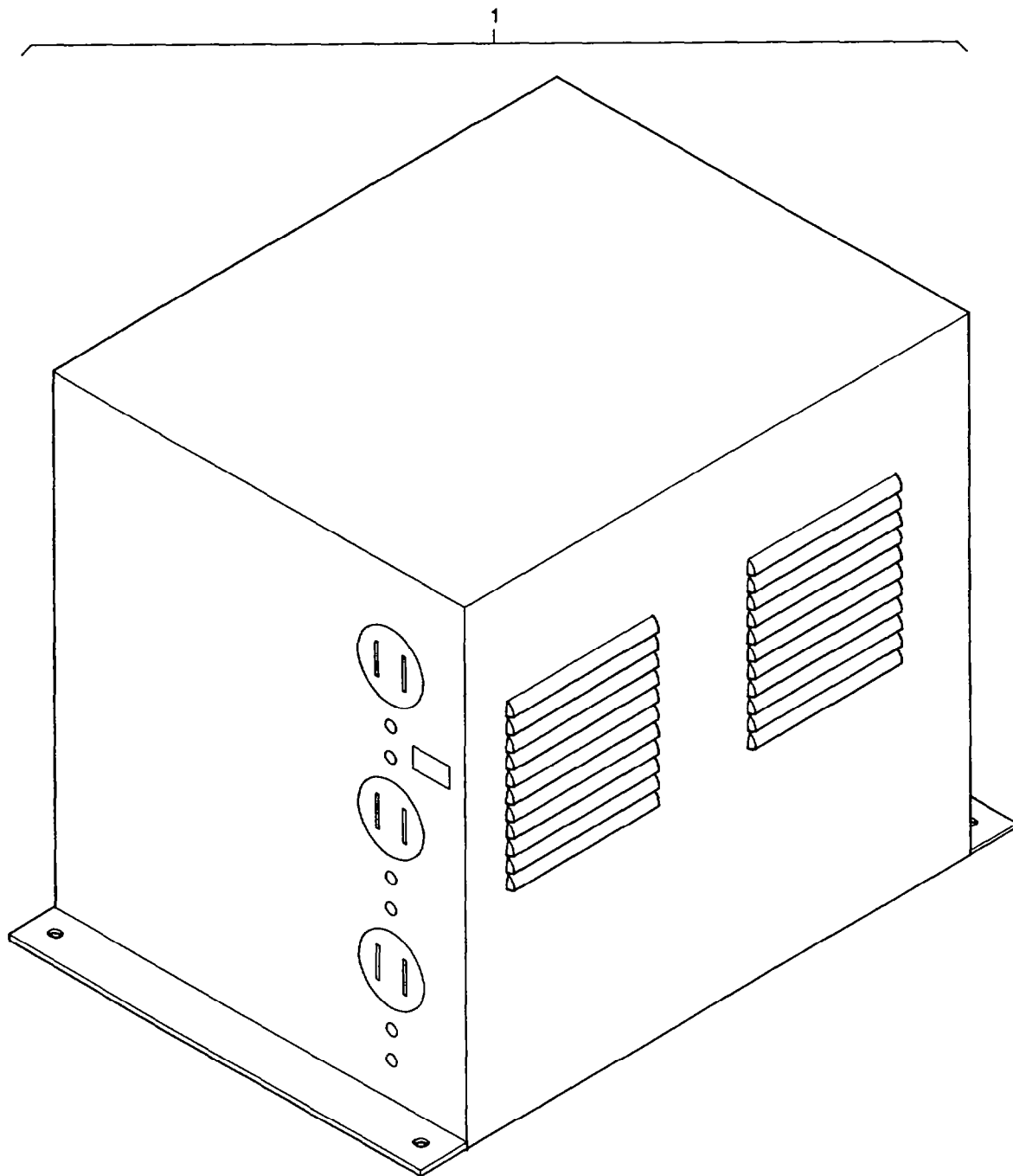


EARTH SPIKE ASSEMBLY

GROUP WNG
TITLE EARTH SPIKE ASSEMBLY

ITEM NO	DESIGNATION	NSN MANUFACTURER CODE/PART NO SUPPLIER CODE/PART NO	NO OFF	U O I	E X P	L* M* H*
012	WASHER SPRING (ALSO PART OF WNG 001)	Z5394/HYL9945 Z5394/HYL9945	2			
013	CLIP, SPRING TENSION PLASTIC, 67 MM LG, 31.5 MM THK, 25.4 MM W, OLIVE DRAB COLOUR	5340 66-128-5508 Z5394/MYH3386 Z5394/MYH3386	1	EA	X	LMH
014	BRACKET, EARTH STAKE MOUNT, UPPER, STAINLESS STEEL, 95 MM W., 10 MM H., 8 MM D., 1.6 MM THK.	Z4976/720280 Z4976/720280	1			
901	CABLE, ELECTRICAL, 100 M BULK BUY, 10 MM SQUARE 7 STRANDS OF 1.35 MM SQUARE CONDUCTOR, GREEN WITH YELLOW STRIPE. (USE AS REQUIRED)	ZE542/7/135/BWEW ZE542/7/135/BWEW	1			

* GRADE OF REPAIR (LIGHT MEDIUM OR HEAVY)



**TRANSFORMER ASSEMBLY - 240 VOLT
TO 110 VOLT**

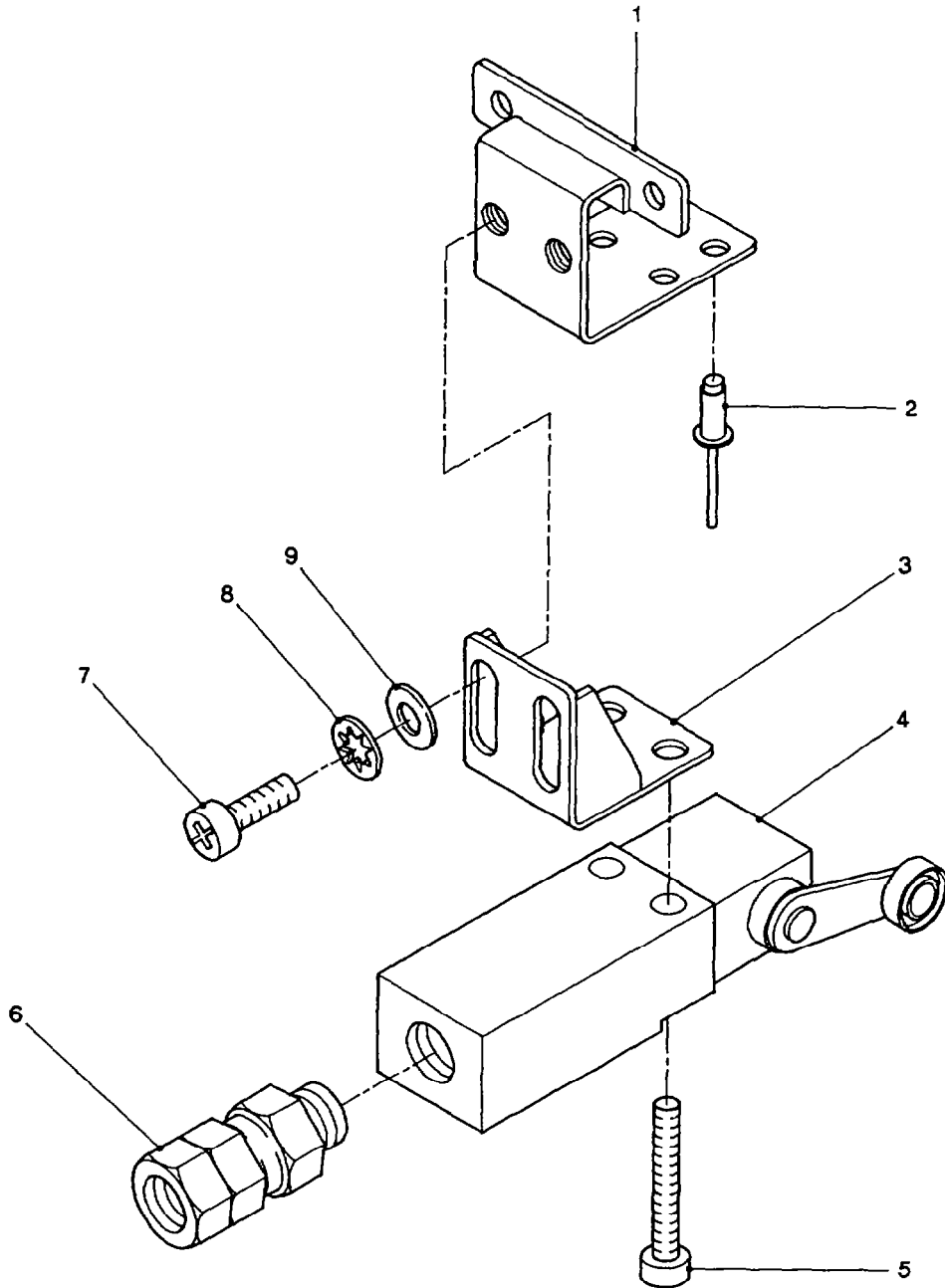
GROUP WNJ

TITLE TRANSFORMER ASSEMBLY - 240 VOLT TO 110 VOLT

ITEM NO	DESIGNATION	NSN MANUFACTURER CODE/PART NO SUPPLIER CODE/PART NO	NO OFF	U O I	E X P	L* M* H*
001	TRANSFORMER, POWER 240 V AC 8.34 A I/P, 110 V AC 18.18 A O/P, 2KVA MAX RATED POWER, SINGLE PHASE	5950 66-139-2031 Z3468/97081 Z3468/97081	1	EA	X	LMH

ISSUE NO: 1 REPAIR PARTS SCALE : 02222 PAGE NO: 145

* GRADE OF REPAIR (LIGHT MEDIUM OR HEAVY)



**BLACKOUT LIGHTS MICROSWITCH
AND MOUNTINGS**

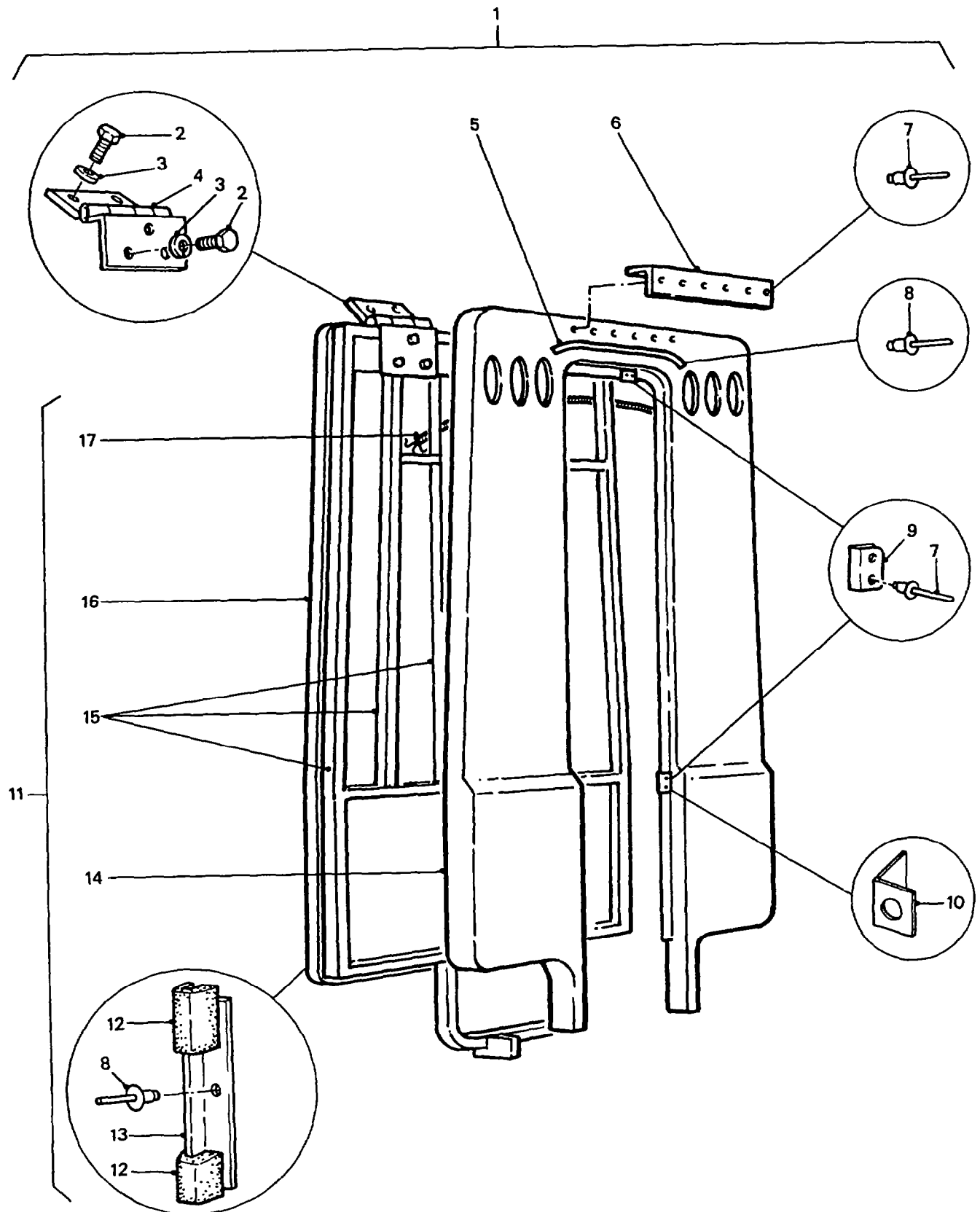
GROUP WNK

TITLE BLACKOUT LIGHTS MICROSWITCH AND MOUNTINGS

ITEM NO	DESIGNATION	NSN MANUFACTURER CODE/PART NO SUPPLIER CODE/PART NO	NO OFF	U O	E X	L* M*
				I	P	H*
001	BRACKET, MICROSWITCH, UPPER, STAINLESS STEEL.	Z4976/720282 Z4976/720282	1			
002	RIVET, POP, 4.8 MM DIA., 16 MM LG, ALUMINIUM	ZOF88/01155006 ZOF88/01155006	6			
003	BRACKET, MICROSWITCH, LOWER, STAINLESS STEEL.	Z4976/720283 Z4976/720283	1			
004	SWITCH, SENSITIVE MICROSWITCH, C/W ROLLER ARM	5930 14-475-4121 ZY833/XCK-P118H29 ZA231/XCK-P118H29	1	EA	X	LMH
005	SCREW, MACHINE, PAN HD., PHILLIPS, 6 MM COARSE THD., 35 MM LG., STEEL, ZINC PLATED.	Z4976/158885 Z4976/158885	2			
006	GLAND, CABLE, NYLON, BLACK.	ZP021/MG16 ZA231/MG16	1			
007	SCREW, MACHINE, PAN HD., PHILLIPS, 6 MM COARSE THD., 12 MM LG., STEEL, ZINC PLATED.	Z4976/158861 Z4976/158861	2			
008	WASHER, SHAKEPROOF, M6, INTERNAL, ZINC PLATED.	Z4976/159040 Z4976/159040	2			
009	WASHER, FLAT, M6, STEEL, ZINC PLATED.	ZOF88/05348505 ZOF88/05348505	2			

ISSUE NO: 1 REPAIR PARTS SCALE : 02222 PAGE NO: 146

* GRADE OF REPAIR (LIGHT MEDIUM OR HEAVY)

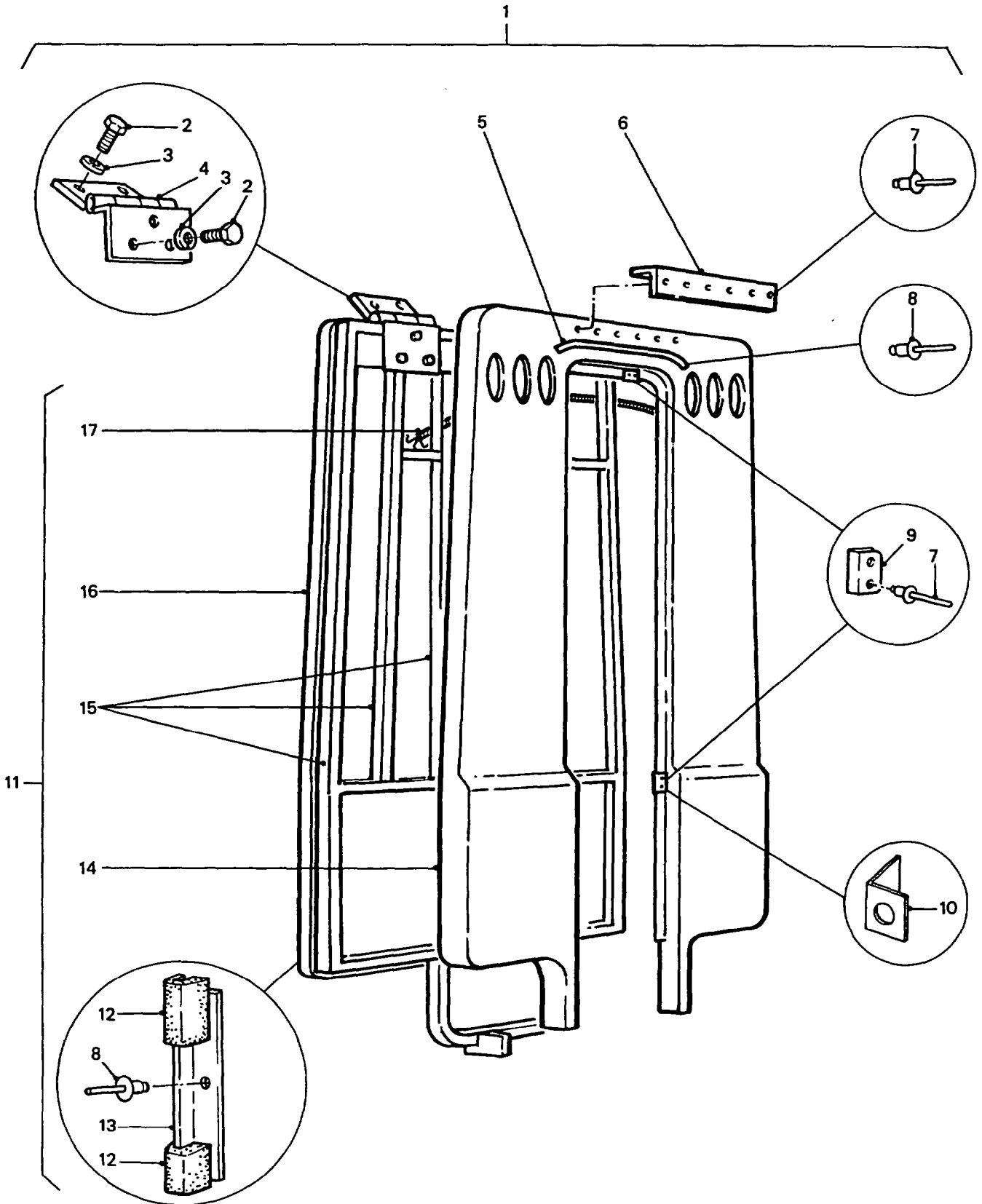


REAR DOOR ASSEMBLY

GROUP WQ
TITLE REAR DOOR ASSEMBLY

ITEM NO	DESIGNATION	NSN MANUFACTURER CODE/PART NO SUPPLIER CODE/PART NO	NO OFF	U	E	L*
				O	X	M*
				I	P	H*
001	DOOR ASSEMBLY, COMPLETE, MODULE, REAR. (INCLUDES WQ 002 TO WQ 011, ALSO PART OF W 001)	Z4976/720148 Z5394/HYM23	1			
002	SCREW, HEXAGON HEAD, ISO METRIC, STEEL, ZINC COATED, 10 MM BY 30 MM LG.	Z5394/SH210301 Z5394/SH210301	12			
003	WASHER, LOCK, SPRING, STEEL, SINGLE TURN, ZINC PLATED, 10 MM, 15.90 MM O.D., 2.50 MM THK.	U1030/WM110001 Z5394/WM110001	12			
004	HINGE, REAR. (ALSO PART OF WQ 001)	Z4976/700320 Z5394/HYL9323	2			
005	MOULD, GUTTER, MODULE REAR DOOR, 90 MM LG., ALUMINIUM, SPECIAL. (ALSO PART OF WQ 001)	Z4976/720212 Z5394/HYM24	1			
006	BRACKET, SLINGING ROPE PROTECTION, 1210 MM LG., 25 MM W., 60 MM H., RIGHT ANGLED. (ALSO PART OF WQ 001)	Z4976/700678 Z4976/700678	1			
007	RIVET, POP, 4.8 MM DIA., 13 MM LG., ALUMINIUM.	Z0549/73AS65 Z5394/HYL9945	34			
008	RIVET, POP, 3.2 MM DIA., 13 MM LG., ALUMINIUM.	Z0549/73AS46 Z5394/HYL9927	31			
009	PLATE, STRIKER, 'L' SHAPED, 25 MM BY 35 MM BY 50 MM, 1.5 MM THK., STAINLESS STEEL. (ALSO PART OF WQ 001)	Z4976/720187 Z5394/HYM25	2			
010	PLATE, BACKING, 50 MM BY 25 MM BY 20 MM, 1.2 MM THK., STAINLESS STEEL. (ALSO PART OF WQ 001)	Z4976/720186 Z5394/HYM26	2			
901	PLATE, BACKING, 50 MM BY 25 MM BY 30 MM, 1.2 MM THK., STAINLESS STEEL. (ALSO PART OF WQ 001)	Z4976/720232 Z5394/HYM150	2			

* GRADE OF REPAIR (LIGHT MEDIUM OR HEAVY)

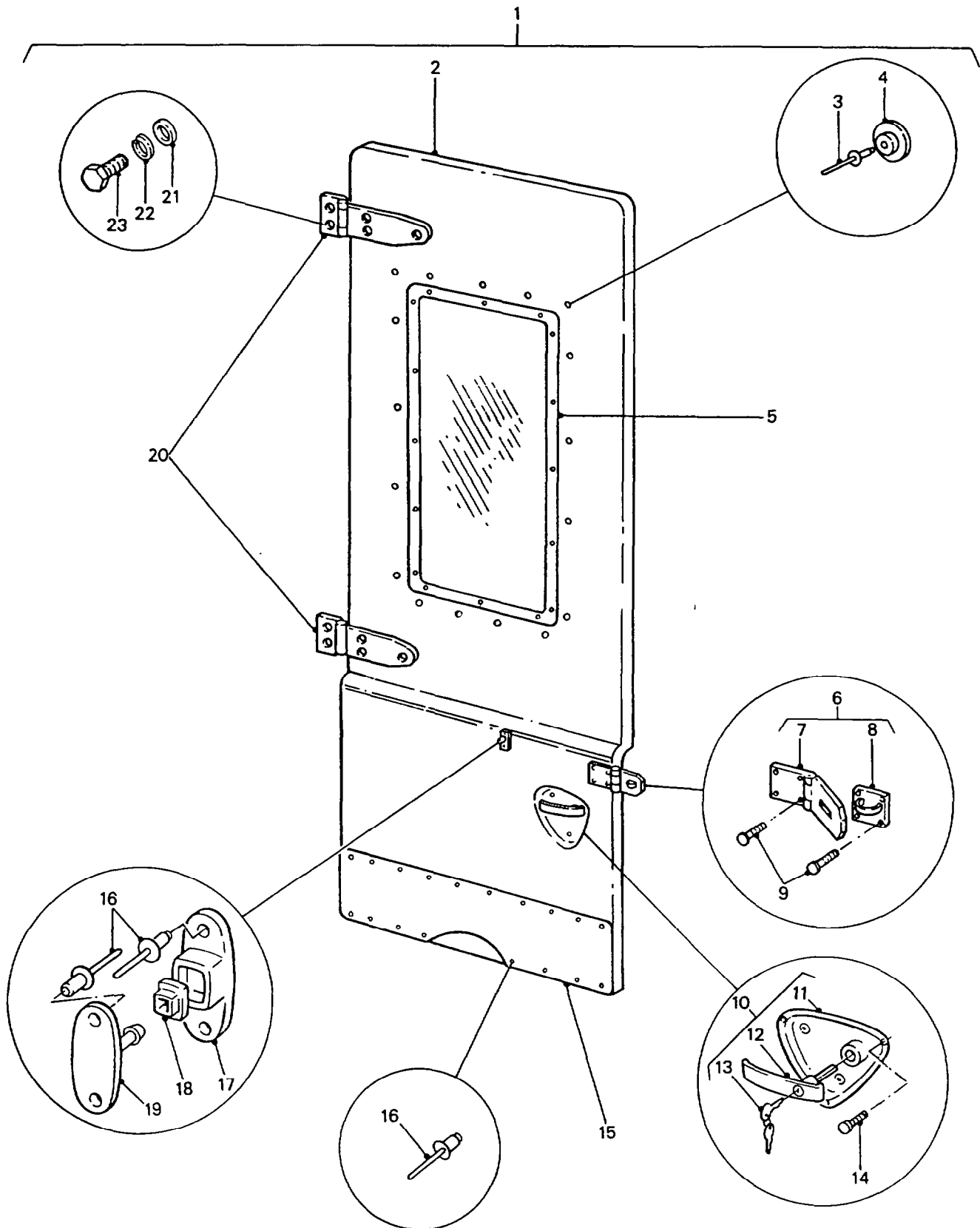


REAR DOOR ASSEMBLY

GROUP WQ
TITLE REAR DOOR ASSEMBLY

ITEM NO	DESIGNATION	NSN MANUFACTURER CODE/PART NO SUPPLIER CODE/PART NO	NO OFF	U	E	L*
				O	X	M*
				I	P	H*
011	DOOR ASSEMBLY, REAR, MODULE. (INCLUDES WQ 008 - 20 OFF AND WQ 012 TO WQ 017)	Z4976/720144 Z4976/720144	1			
012	SEAL, REAR DOOR, INTERIOR, 5760 MM LG., RUBBER. (MANUFACTURE FROM WQ 903, ALSO PART OF WQ 011)	Z4976/720151 Z5394/HYM27	1			
013	SUPPORT, SEAL, REAR DOOR, MODULE, 90 DEG. ANGLE, 2770 MM LG., 1.6 MM THK., ALUMINIUM, LEFT HAND, SPECIAL. (ALSO PART OF WQ 011)	Z4976/720149 Z5394/HYM28	1			
902	SUPPORT, SEAL, REAR DOOR, MODULE, 90 DEG. ANGLE, 2770 MM LG., 1.6 MM THK., ALUMINIUM, RIGHT HAND, SPECIAL. (ALSO PART OF WQ 011)	Z4976/720150 Z5394/HYM29	1			
014	PANEL, DOOR, OUTER, MODULE, REAR, FIBREGLASS, OLIVE DRAB. (USE WQ 011)	/NIL /NIL	1			
015	FRAME ASSEMBLY, REAR DOOR, MODULE, BOX CHANNEL, WELDED, 2 MM THK. (USE WQ 011)	/NIL /NIL	1			
016	PANEL, DOOR, INNER, MODULE, REAR, FIBREGLASS, WHITE. (USE WQ 011)	/NIL /NIL	1			
017	HARNES, TAILLIGHTS, HIGH LEVEL, REAR DOOR, MODULE. (ALSO PART OF WQ 011, REFER WND 018)	Z4976/720085 Z5394/HYM30	1			
903	SEAL, REAR DOOR, INTERIOR, 50 M BULK LG., BLACK, RUBBER. (USE AS REQUIRED)	Z4914/283879 Z4914/283879	1			

* GRADE OF REPAIR (LIGHT MEDIUM OR HEAVY)

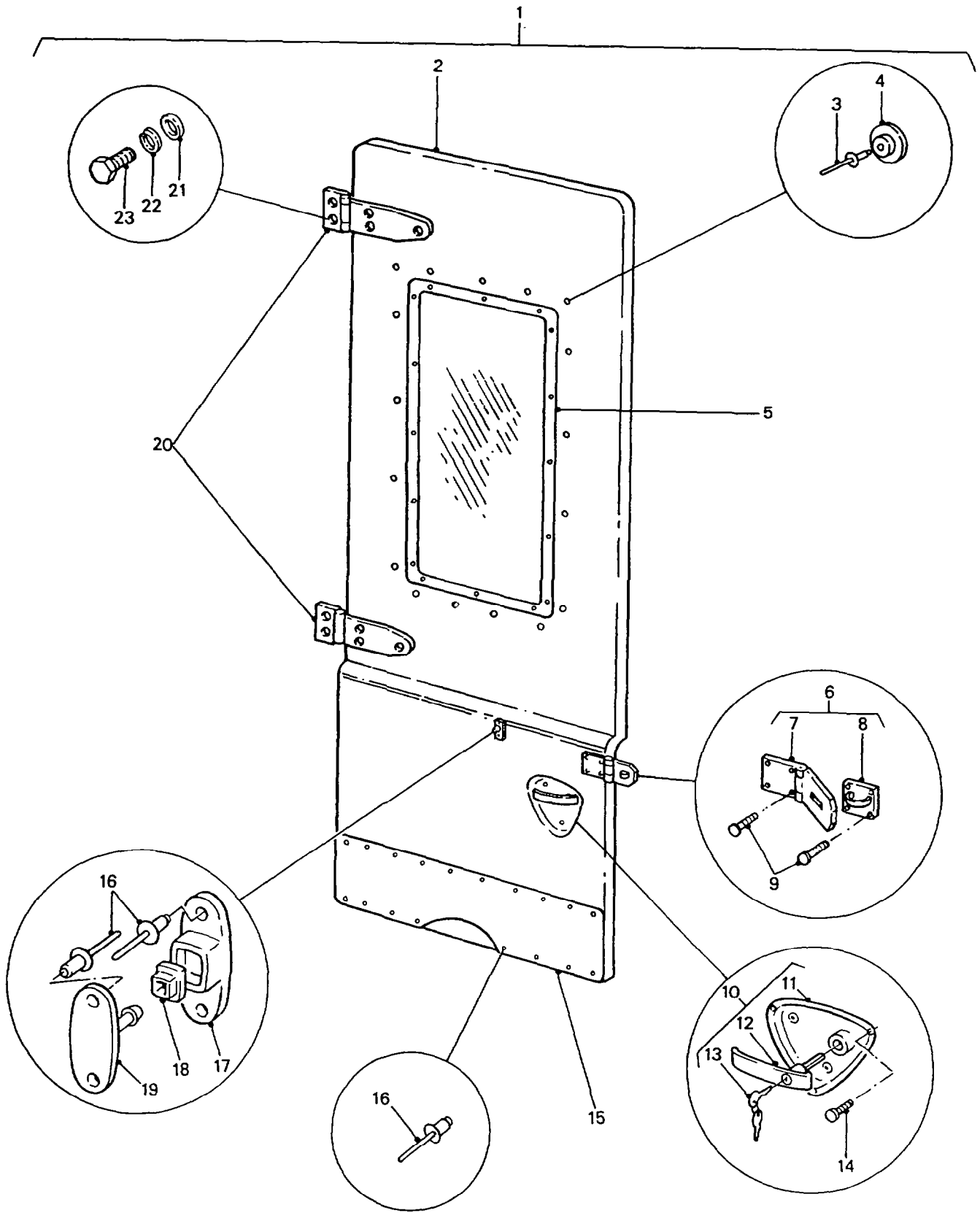


REAR ACCESS DOOR ASSEMBLY

GROUP WQA
TITLE REAR ACCESS DOOR ASSEMBLY

ITEM NO	DESIGNATION	NSN MANUFACTURER CODE/PART NO SUPPLIER CODE/PART NO	NO	U	E	L*
			OFF	O	X	M*
			I	P	H*	
001	DOOR ASSEMBLY, ACCESS, REAR, MODULE (INCLUDES WQA 002 TO WQA 005, WQA 015, WQA 016, WQA 030 TO WQA 033 AND WQA 035 TO WQA 040)	Z4976/720346 Z4976/720346	1			
002	MOULDING, REAR ACCESS DOOR, MODULE, INNER AND OUTER AND FRAME.	Z4976/720145 Z4976/720145	1			
003	RIVET, POP, 3.2 MM DIA., 13 MM LG., ALUMINIUM	Z0549/73AS46 Z5394/HYL9927	99			
004	STUD, PRESS.	ZOK75/1231D Z5394/HYL9221	52			
005	WINDOW ASSEMBLY, REAR ACCESS DOOR (REFER WD 007)	Z1540/AMW3842 Z5394/HYL9982	1			
006	HASP AND STAPLE ASSEMBLY, MODULE REAR ACCESS DOOR, 140 MM LG., HEAVY GAUGE, ZINC PLATED (INCLUDES WQA 007 AND WQA 008)	Z2832/370 Z5394/HYM34	1			
007	HASP. (USE WQA 006)	/NIL /NIL	1			
008	STAPLE. (USE WQA 006)	/NIL /NIL	1			
009	SCREW, RECESSED COUNTERSUNK HD., 6 MM DIA., 26 MM LG., COARSE THD., ZINC PLATED.	U1030/SF106261 Z5394/SF106261	8			
010	HANDLE, DOOR PLATE, ASSEMBLY LOCKING EXTERIOR, MODULE ACCESS DOOR (INCLUDES WQA 011 TO WQA 013)	2540 66-128-6067 Z2110/2043 Z5394/HYM35	1	EA	X	
011	PLATE. (USE WQA 010)	/NIL /NIL	1			
012	HANDLE, LOCKING. (USE WQA 010)	/NIL /NIL	1			

* GRADE OF REPAIR (LIGHT MEDIUM OR HEAVY)

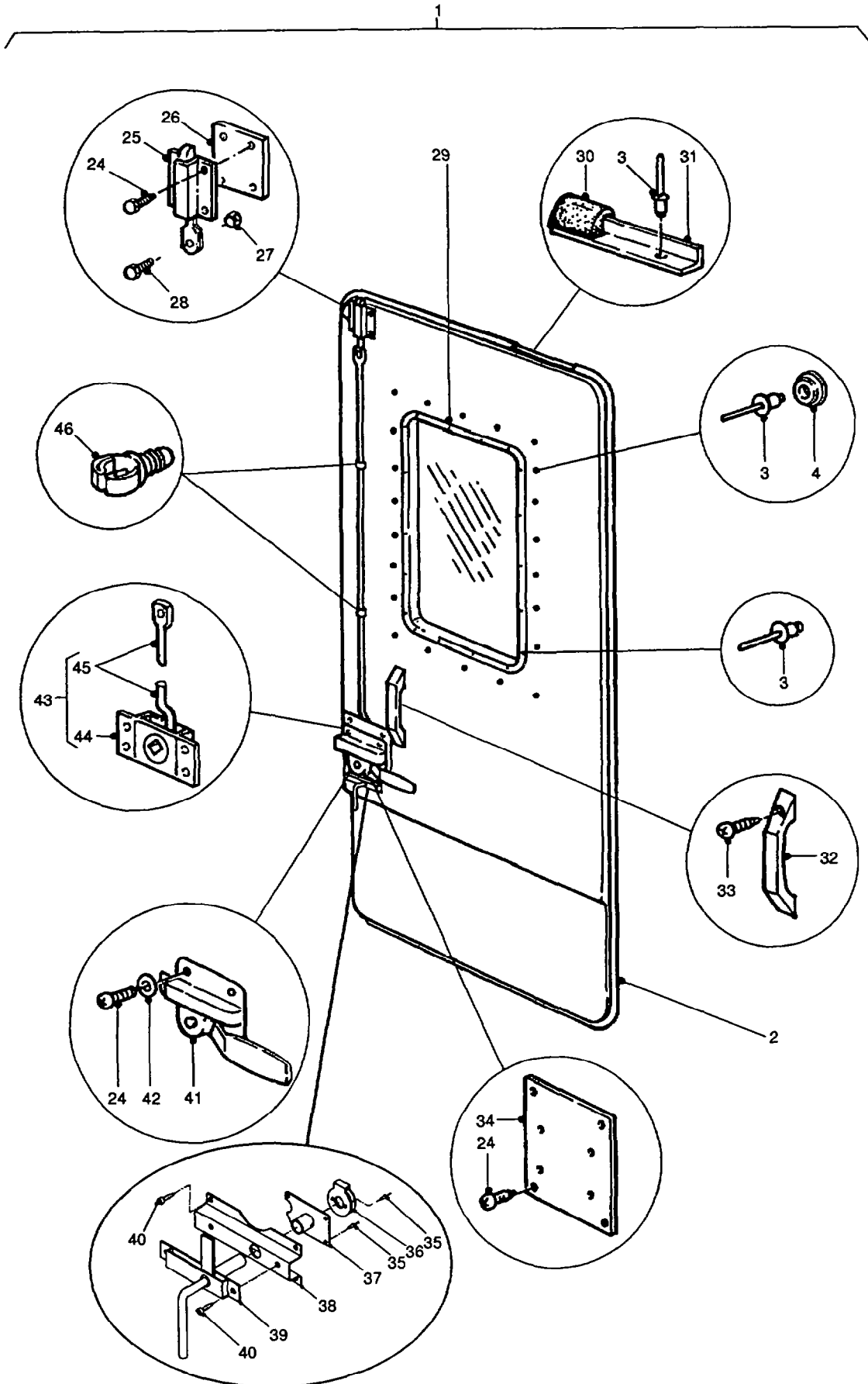


REAR ACCESS DOOR ASSEMBLY

GROUP WQA
TITLE REAR ACCESS DOOR ASSEMBLY

ITEM NO	DESIGNATION	NSN MANUFACTURER CODE/PART NO SUPPLIER CODE/PART NO	NO	U	E	L*
			OFF	O	X	M*
			I	P	H	H*
013	KEY. (USE WQA 010)	/NIL /NIL	2			
014	SCREW, RECESSED COUNTERSUNK.HD., 4 MM DIA., 20 MM LG., CORSE THD., ZINC PLATED.	U1030/SF104201 Z5394/SF104201	3			
015	TRIM,, PROTECTION, MODULE REAR ACCESS DOOR, 765 MM LG., 150 MM W., 1.5 MM THK., MILD STEEL.	ZC691/720179 Z5349/HYM36	1			
016	RIVET, POP, 4.8 MM DIA., 13 MM LG., ALUMINIUM	Z0549/73AS65 Z5394/HYL9945	15			
017	HOLDER ASSEMBLY, RECEPTACLE, 52 MM LG., 25 MM H., DIE CAST.	ZF194/603-0057 Z5394/HYM37	1			
018	RECEPTACLE, PLUNGER, RUBBER, 19 MM LG., 22 MM W., 14 MM H.	ZF194/470-0059 Z5394/HYM38	1			
019	PLUNGER, METAL, 38 MM LG., 15.5 MM H.	ZF194/603-0056 Z5394/HYM39	1			
020	HINGE, HEAVY DUTY, 210 MM LG., 100 MM W., PRESSED STEEL, ZINC PLATED, NYLON BUSH.	ZF194/S/H-1 Z5394/HYM40	2			
021	WASHER, FLAT, NORMAL O.D., NORMAL THK., 10 MM I.D., ZINC PLATED.	U1030/WA110001 Z5394/WA110001	10			
022	WASHER, LOCK, SINGLE COIL, SQUARE SECT., 10 MM I.D., ZINC PLATED.	U1030/WM110001 Z5394/WM110001	10			
023	SCREW, HEX. HD., MEDIUM TENSILE, 10 MM DIA., 35 MM LG., COARSE THD., ZINC PLATED.	U1030/SH110351 Z5394/SH110351	10			
024	SCREW, MACHINE, ISO METRIC, 6G, STEEL, PAN HD., SLOT DRIVE, ZINC PLATED, 6 MM DIA., 1.0 MM PITCH. 16 MM LG.	U1030/SE106161 Z5394/SE106161	12			

* GRADE OF REPAIR (LIGHT MEDIUM OR HEAVY)



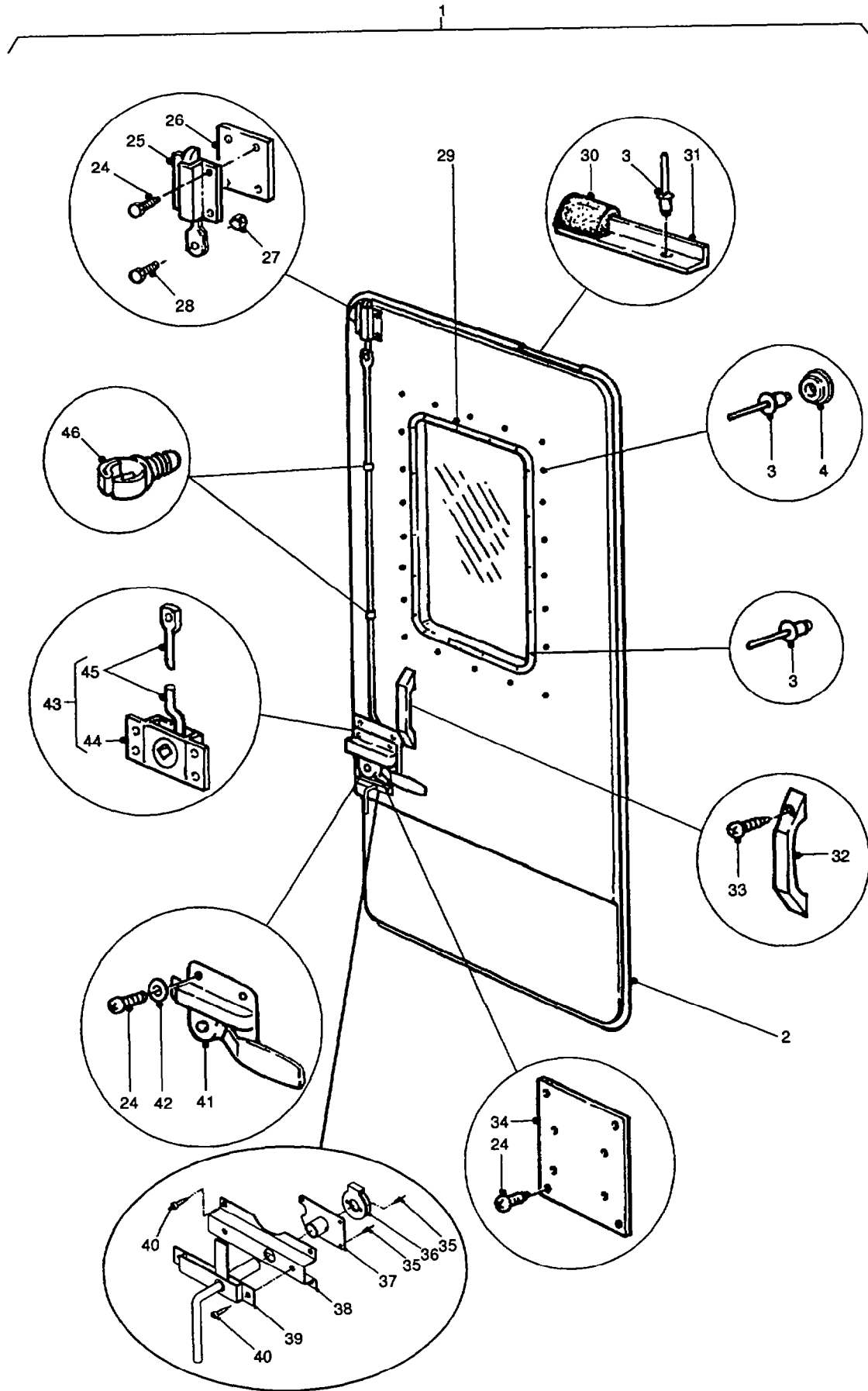
REAR ACCESS DOOR ASSEMBLY

GROUP WQA
TITLE REAR ACCESS DOOR ASSEMBLY

ITEM NO	DESIGNATION	NSN MANUFACTURER CODE/PART NO SUPPLIER CODE/PART NO	NO	U	E	L*
			OFF	O	X	M*
			I	P	H*	
025	LOCK, END.	Z2110/H3 Z5394/HYM41	1			
026	PLATE, MOUNTING, 50 MM LG., 70 MM W., 1.5 MM THK., ALUMINIUM.	ZC691/720188 Z5394/HYM42	1			
027	NUT, SELF-LOCKING, HEX., ISOMETRIC, STEEL, ZINC COATED, 5 MM, WITH NYLON INSERT.	Z5394/NY105041 Z5394/NY105041	1			
028	SCREW, RECESSED PAN HD., 5 MM DIA., 14 MM LG., COARSE THD., ZINC PLATED	U1030/SE105141 Z5394/SE105141	1			
029	SURROUND, WINDOW, REAR ACCESS DOOR, MODULE, 2300 MM LG., 1.6 MM THK., ALUMINIUM, SPECIAL	ZC691/720182 Z5394/HYM43	1			
030	SEAL, REAR ACCESS DOOR, MODULE, 4800 MM LG., RUBBER.	ZC691/720191 Z5394/HYM44	1			
031	SUPPORT, SEAL, REAR ACCESS DOOR, MODULE, 90 DEG. ANGLE, 25 MM BY 12 MM BY 1.6 MM THK., ALUMINIUM, 2 SIDES AND TOP	ZC691/420192 Z5394/HYM45	1			
901	SUPPORT, SEAL, REAR ACCESS DOOR, MODULE, 700 MM LG., 35 MM W., 0.9 MM THK., STAINLESS STEEL, BOTTOM, SPECIAL.	ZC691/720193 Z5394/HYM46	1			
032	HANDLE, INTERIOR, REAR ACCESS DOOR, MODULE.	Z0133/XFF045C96BANPH Z5394/HYM51	1			
033	SCREW, RECESSED PAN HD., NUMBER 6 GAUGE, 2 IN. LG., ZINC PLATED.	U1030/AB606081 Z5394/AB606081	2			
034	PLATE, MOUNTING, 100 MM LG., 100 MM W., 6 MM THK., ALUMINIUM.	ZC691/720189 Z5394/HYM47	1			
035	RIVET, POP, 3.2 MM DIA., 13 MM LG., ALUMINIUM	Z0549/73AS46 Z5394/HYL9927	5			

ISSUE NO: 1 REPAIR PARTS SCALE : 02222 PAGE NO: 151

* GRADE OF REPAIR (LIGHT MEDIUM OR HEAVY)

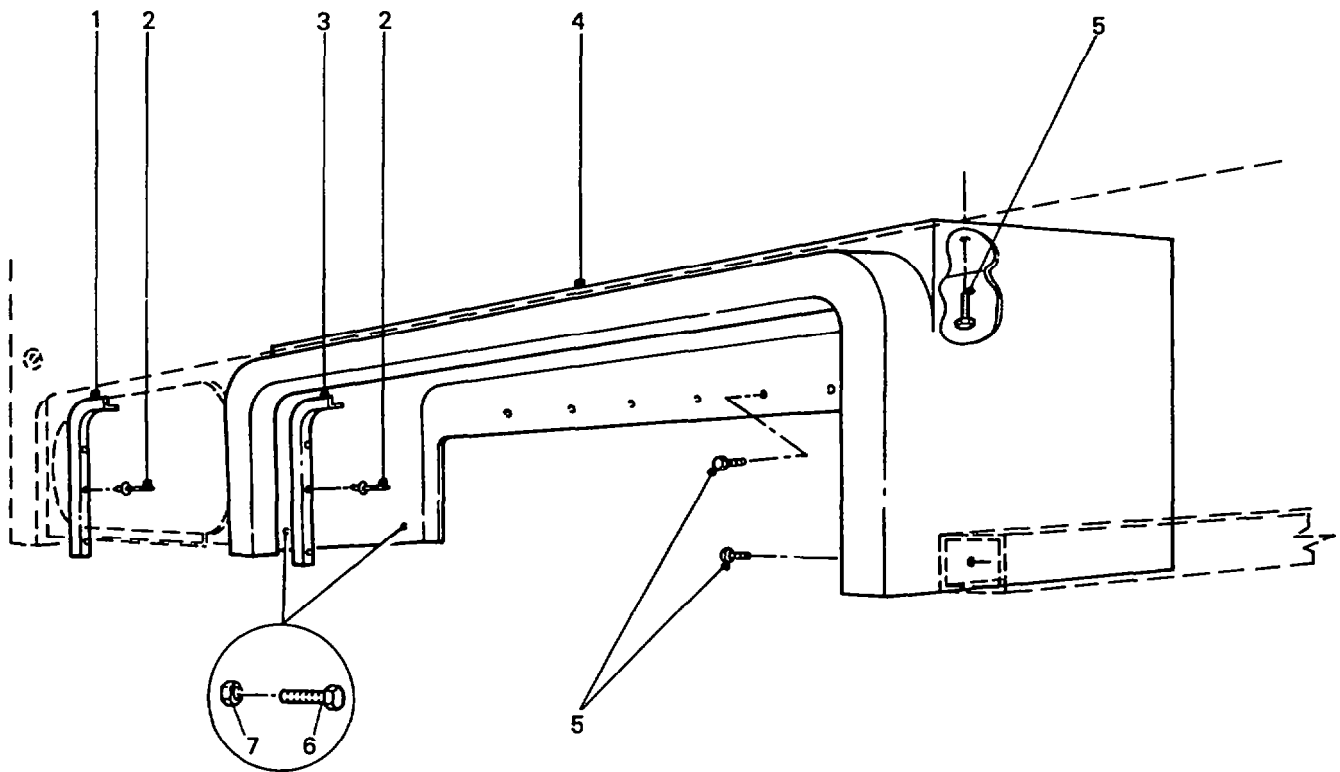


REAR ACCESS DOOR ASSEMBLY

GROUP WQA
TITLE REAR ACCESS DOOR ASSEMBLY

ITEM NO	DESIGNATION	NSN MANUFACTURER CODE/PART NO SUPPLIER CODE/PART NO	NO OFF	U	E	L*
				O	X	M*
				I	P	H*
036	ESCUTCHEON, BUDGET LOCK, EXTERNAL, REAR DOOR, 28.5 MM DIA., SPRING LOADED. ZBA DIE-CASTING, CHROMIUM PLATED.	ZL110/130CP ZL110/130CP	1			
037	PLATE, MOUNTING, ESCUTCHEON, 1.6 MM THK., STEEL.	Z4976/720285 Z4976/720285	1			
038	BRACKET, MOUNTING, SECURITY LOCK, STEEL, 1.6 MM THK.	Z4976/720348 Z4976/720348	1			
039	LOCK, SECURITY, REAR DOOR, 84 MM LG., 22 MM W., 19 MM TONGUE, STEEL, BUDGET KEY OPERATED.	Z4976/720284 Z4976/720284	1			
040	SCREW, TAPPING, THREAD FORMING, REC PAN HD., NO. 8 BY 1/2 IN. LG.	5305 99-977-3255 Z5394/AB608044 Z5394/AB608044	4	EA	X	
041	CATCH, REAR ACCESS DOOR, MODULE.	ZF194/2410A-LH Z5394/HYM48	1			
042	WASHER, LOCK, STEEL, SHAKEPROOF, ZINC COATED, INTERNAL TYPE, 6 MM.	Z5394/WF106001 Z5394/WF106001	4			
043	ROD AND MECHANISM ASSEMBLY, REAR ACCESS DOOR, MODULE. (INCLUDES WQA 044 AND WQA 045)	ZC691/720190 Z5394/HYM49	1			
044	MECHANISM, CENTRAL, REAR ACCESS DOOR. (USE WQA 044)	/NIL /NIL	1			
045	ROD. (USE WQA 044)	/NIL /NIL	1			
046	CLIP, PLASTIC, ROD RETAINING	ZC691/700712 Z5394/HYL9855	3			
902	SEAL, INTERIOR, 50 M BULK LG., BLACK, RUBBER. (USE AS REQUIRED)	Z4914/283879 Z4914/283879	1			

* GRADE OF REPAIR (LIGHT MEDIUM OR HEAVY)

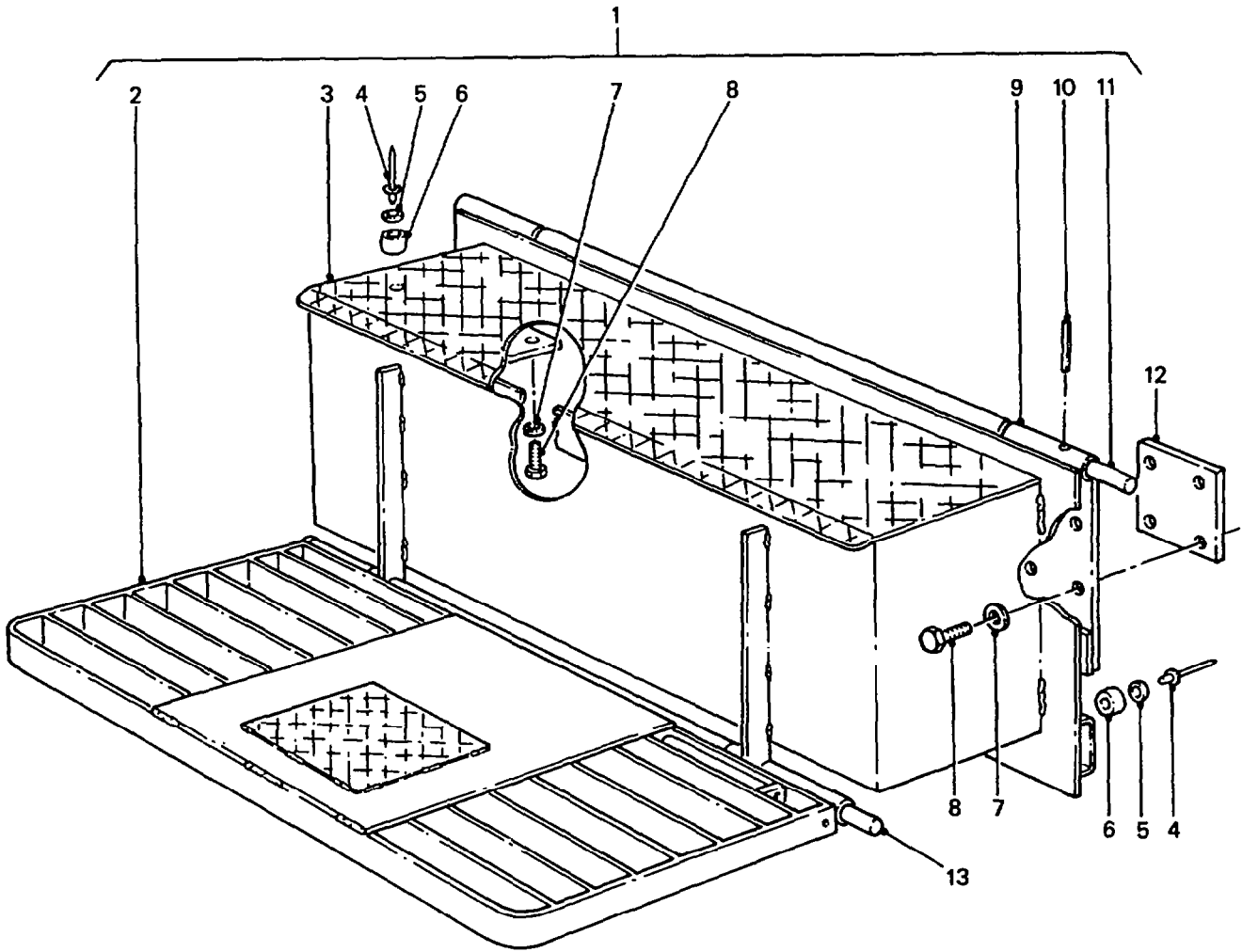


**REAR MUDGUARD AND
PROTECTION STRIPS**

GROUP WT
TITLE REAR MUDGUARD AND PROTECTION STRIPS

ITEM NO	DESIGNATION	NSN MANUFACTURER CODE/PART NO SUPPLIER CODE/PART NO	NO OFF	U	E	L*
				O	X	M*
				I	P	H*
001	STRIP, STONE PROTECTION, REAR, RIGHT HAND, 180 MM H., 120 MM LG., 25 MM W.	Z4976/700411 Z5394/HYL9274	1			
901	STRIP, STONE PROTECTION, REAR, LEFT HAND, 180 MM H., 120 MM LG., 25 MM W.	ZC691/700410 Z5394/HYL9275	1			
002	RIVET, 1/8 IN. DIA., 7/16 IN. LG., ALUMINIUM.	U1030/RU608073 Z5394/RU608073	10			
003	STRIP, STONE PROTECTION, FRONT, RIGHT HAND, 180 MM H., 50 MM LG., 12 MM W.	Z4976/700409 Z5394/HYL9276	1			
902	STRIP, STONE PROTECTION FRONT, LEFT HAND.	Z4976/700408 Z5394/HYL9277	1			
004	MUDGUARD ASSEMBLY, MODULE, FIBREGLASS, RIGHT HAND.	Z4976/700148 Z5394/HYL9278	1			
903	MUDGUARD ASSEMBLY, MODULE, FIBREGLASS, LEFT HAND.	Z4976/700147 Z5394/HYL9279	1			
005	SCREW, TEK, 6 MM DIA., 22 MM LG.	Z2665/63110019-4CS Z5394/HYL9280	17			
006	SCREW, 6 MM DIA., FINE THD., 30 MM LG., ZINC PLATED.	U1030/SH206301 Z5394/SH206301	3			
007	NUT, NYLOC, FINE THD., 6 MM DIA., ZINC PLATED.	U1030/NY206041 Z5394/NY206041	3			
904	PAD, RUBBER, 400 MM LG., 200 MM W., 6 MM THK., FITTED BETWEEN MUDGUARD AND TOOLBOX. (MANUFACTURE FROM WT 905.)	Z4976/700733 Z5394/HYL9281	2			
905	PAD, RUBBER, 1220 MM BULK W., 10 M BULK LG. (USE AS REQUIRED, ORDER BY DESCRIPTION)	ZE664/NIL ZE664/NIL	1			

* GRADE OF REPAIR (LIGHT MEDIUM OR HEAVY)



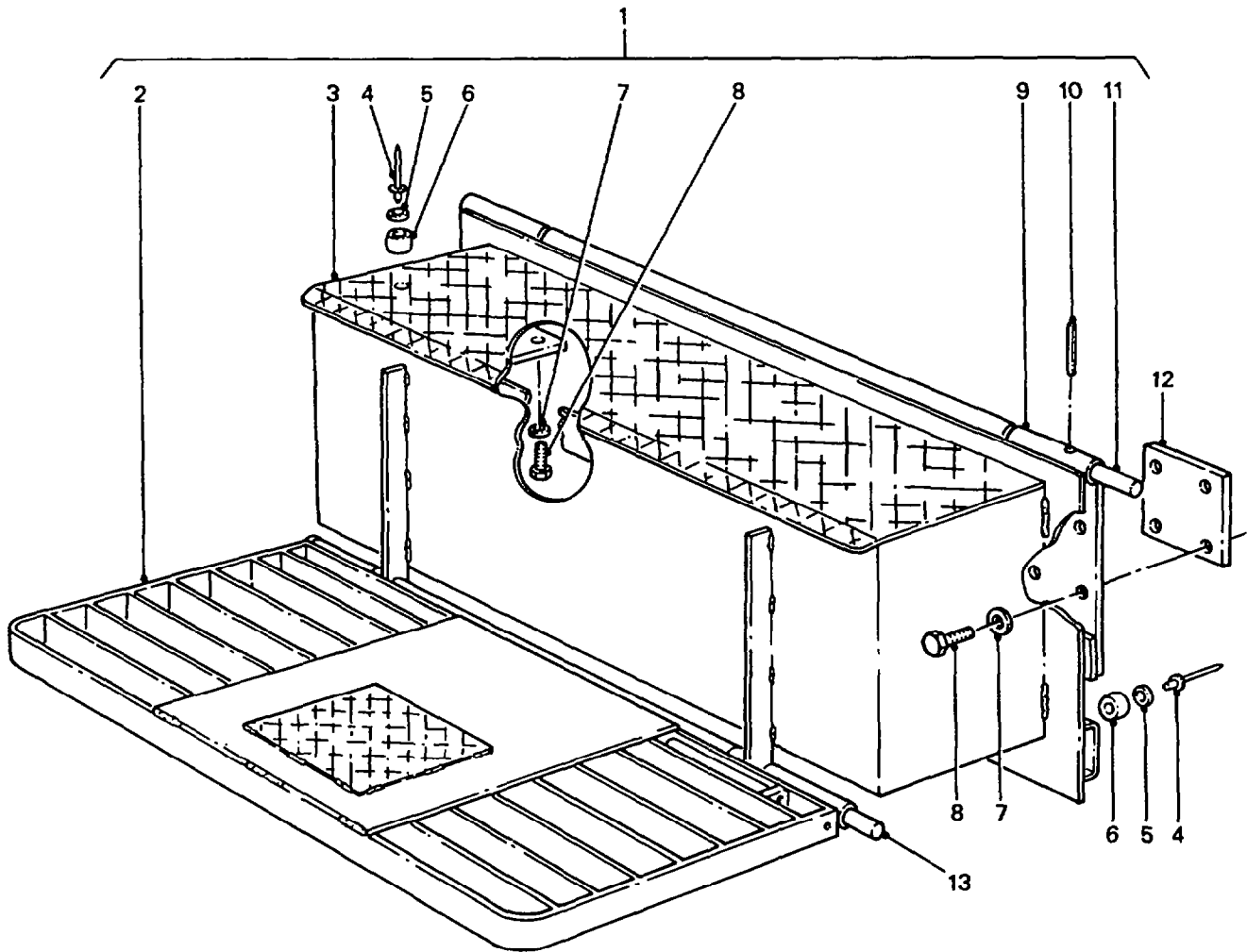
REAR STEP ASSEMBLY

GROUP WU
TITLE REAR STEP ASSEMBLY

ITEM NO	DESIGNATION	NSN MANUFACTURER CODE/PART NO SUPPLIER CODE/PART NO	NO OFF	U	E	L*
				O	X	M*
				I	P	H*
001	STEP ASSEMBLY, REAR. (INCLUDES WU 002 TO WU 006, WU 009 TO WU 011 AND WU 013)	Z4976/720032 Z5394/HYM75	1			
002	PLATE, GRID, COMPLETE WITH WELDED PLATES. (ALSO PART OF WU 001)	Z4976/720033 Z4976/720033	1			
003	STEP, REAR, COMPLETE WITH WELDED TREAD-PLATE AND BACK-PLATE. (ALSO PART OF WU 001)	Z4976/720034 Z4976/720034	1			
004	RIVET, BLIND ALUMINIUM, 1/8 IN. BY 3/4 IN (ALSO PART OF WU 001)	5320 66-128-4634 Z5394/RU608123 Z5394/RU608123	4	EA	X	LMH
005	WASHER, FLAT RD, STEEL, 4 MM BOLT SIZE (ALSO PART OF WU 001)	5310 99-122-3031 U1030/WA104001 Z5394/WA104001	4	EA	X	LMH
006	STOP, BUMP, RUBBER, 20 MM O.D., 10 MM THK. (ALSO PART OF WU 001)	Z4976/700605 Z5394/HYL9126	4			
007	WASHER, FLAT 10.0 MILLIMETRE I.D., ZINC PLATED	5310 99-122-6476 U1030/WA110001 Z5394/WA110001	12	EA	X	LMH
008	BOLT, MACHINE O METRIC, STEEL, HEX HD, 10 MM BY 16 MM LG	5306 99-122-5370 U1030/SH110161 Z5394/SH110161	12	EA	X	LMH
009	BRACKET, MOUNTING, STEP ASSEMBLY TO CHASSIS. (ALSO PART OF WU 001)	Z4976/700504 Z4976/700504	1			
010	PIN, SPRING STEEL, 3.0 MM DIA. BY 20.0 MM NO M. LG. BY 0.6 MM THK. (ALSO PART OF WU 001)	U1030/PA106201 Z5394/PA106201	2			
011	PIN, HINGE, UPPER, 20 MM DIA., 720 MM LG., STEEL. (ALSO PART OF WU 001)	Z4976/700503 Z4976/700503	1			
012	PLATE, PACKING, 100 MM BY 100 MM, 4 BY 14 MM DIA. HOLES, 8 MM THK., STEEL.	Z4976/720200 Z5394/HYM212	2			
901	PLATE, PACKING, 100 MM BY 100 MM, 4 BY 14 MM DIA. HOLES, 5 MM THK., STEEL.	Z4976/720201 Z5394/HYM213	2			

ISSUE NO: 1 REPAIR PARTS SCALE : 02222 PAGE NO: 154

* GRADE OF REPAIR (LIGHT MEDIUM OR HEAVY)

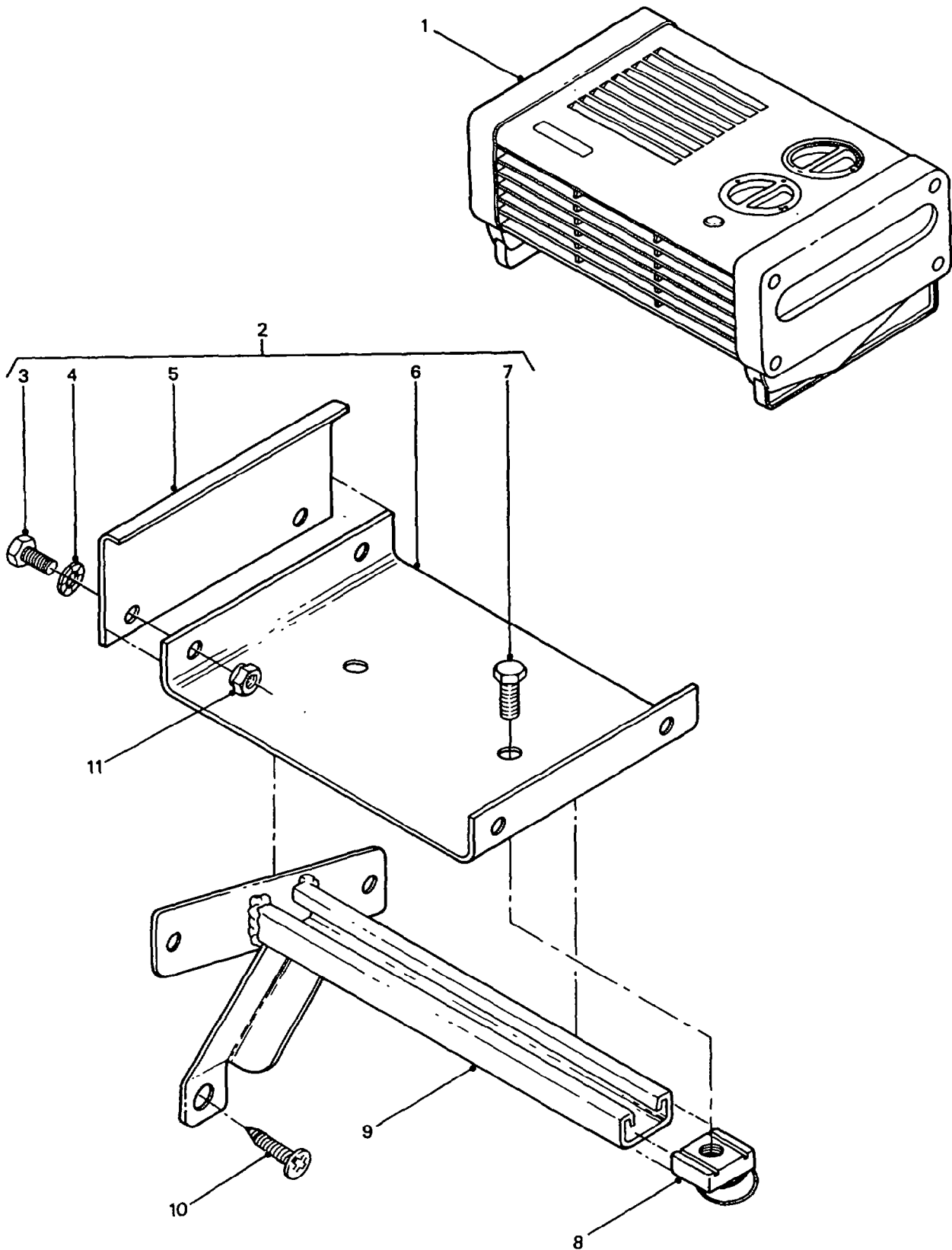


REAR STEP ASSEMBLY

GROUP WU
TITLE REAR STEP ASSEMBLY

ITEM NO	DESIGNATION	NSN MANUFACTURER CODE/PART NO SUPPLIER CODE/PART NO	NO OFF	U O I	E X P	L* M* H*
013	PIN, HINGE, LOWER, 20 MM DIA., 675 MM LG., STEEL. (ALSO PART OF WU 001)	Z4976/720199 Z5394/HYM214	1			

* GRADE OF REPAIR (LIGHT MEDIUM OR HEAVY)



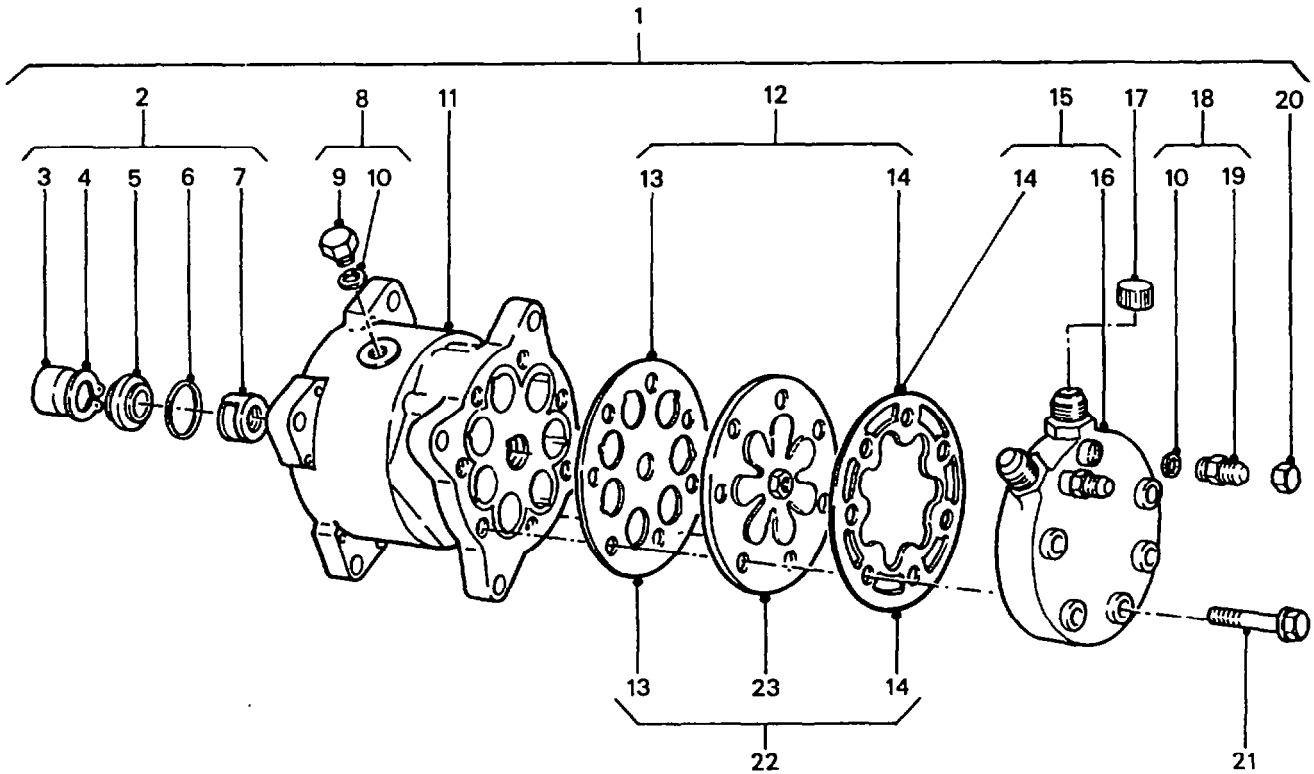
**HEATER ASSEMBLY AND
MOUNTINGS - MODULE**

GROUP WV

TITLE HEATER ASSEMBLY AND MOUNTINGS - MODULE

ITEM NO	DESIGNATION	NSN MANUFACTURER CODE/PART NO SUPPLIER CODE/PART NO	NO OFF	U O	E X	L* M*
				I	P	H*
001	HEATER, ELECTRIC.	ZA231/3119 Z5394/HYM76	1			
002	MOUNTING ASSEMBLY, HEATER. (INCLUDES WV 003 TO WV 009 AND WV 011)	Z4976/720078 Z4976/720078	1			
003	SCREW, HEX. HD., MEDIUM TENSILE, 8 MM DIA., 12 MM LG., COARSE THD., ZINC PLATED	U1030/SH108121 Z5394/SH108121	4			
004	WASHER, INTERNAL TOOTH, 8 MM I.D, ZINC PLATED.	U1030/WF108001 Z5394/WF108001	4			
005	CLAMP, HEATER, 155 MM LG., 72 MM W., 2.6 MM THK., FLAT MILD STEEL.	Z4976/720080 Z5394/HYM77	2			
006	BRACKET, HEATER MOUNTING, 300 MM LG.	Z4976/720079 Z5394/HYM78	1			
007	BOLT, UNISTRUT, HEX. HD., 10 MM DIA., 25 MM LG.	ZA231/EHSM10X25 Z5394/HYM80	2			
008	NUT, UNISTRUT, 10 MM THD. DIA., RECTANGULAR WITH ROUNDED CORNERS, GROOVED TO FIT UNISTRUT TRACK, FIXED SPRING ON BOTTOM.	ZA231/EP4008M10 Z5394/HYL9967	2			
009	ARM ASSEMBLY, HEATER SUPPORT, 300 MM LG., UNISTRUT TRACK AND FLAT MILD STEEL, WELDED.	Z4976/720081 Z5394/HYM79	1			
010	SCREW, RECESSED COUNTERSUNK HD., NO. 8 GAUGE, 30 MM LG., ZINC PLATED.	U1030/AC108301 Z5394/AC108301	4			
011	NUT, ROOT, 8 MM DIA., ZINC PLATED.	ZE664/9AJANR8 Z5394/HYM59	4			

* GRADE OF REPAIR (LIGHT MEDIUM OR HEAVY)

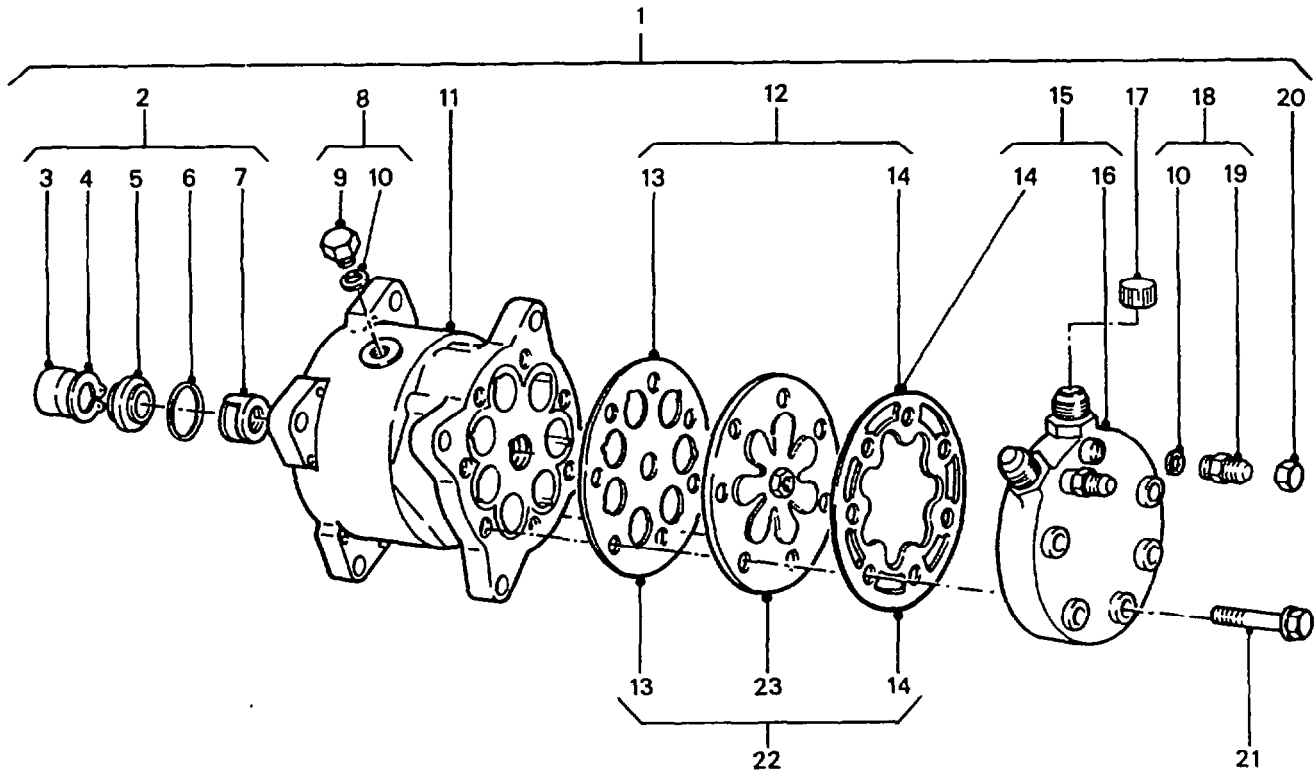


**AIR CONDITIONER COMPRESSOR
ASSEMBLY**

GROUP WV B
TITLE AIR CONDITIONER COMPRESSOR ASSEMBLY

ITEM NO	DESIGNATION	NSN MANUFACTURER CODE/PART NO SUPPLIER CODE/PART NO	NO	U	E	L*
			OFF	O	X	M*
			I	P	H	
001	COMPRESSOR ASSEMBLY, AIR CONDITIONER, 7 PISTON, ROTARY. (INCLUDES WV B 002 TO WV B 023 AND GROUP WVBB)	Z4984/7460 Z5394/HYM220	1			
002	KIT, SEAL AND FELT RING ASSEMBLY. (INCLUDES WV G 003 TO WV B 007, ALSO PART OF WV B 001)	Z4984/9501-9830 Z5394/HYM221	1			
003	RING, FELT. (USE WV B 002)	/NIL /NIL	1			
004	RING, SNAP, SEAL SEAT. (ALSO PART OF WV B 002)	Z4984/9601-0880 Z5394/HYM222	1			
005	RETAINER, SEAL. (USE WV B 002)	/NIL /NIL	1			
006	'O' RING. (USE WV B 002)	/NIL /NIL	1			
007	SEAL. (USE WV B 002)	/NIL /NIL	1			
008	PLUG ASSEMBLY, OIL FILLER. (INCLUDES WV B 009 AND WV B 010)	Z4984/8385-6410 Z5394/HYM223	1			
009	PLUG, OIL FILLER. (USE WV B 008)	/NIL /NIL	1			
010	'O' RING. (ALSO PART OF WV B 008 AND WV B 018)	Z4984/8385-0520 Z5394/HYL9203	1			
011	HOUSING, COMPRESSOR, AIR CONDITIONER. (USE WV B 001)	/NIL /NIL	1			
012	KIT, GASKET. (INCLUDES WV B 013 AND WV B 014, ALSO PART OF WV B 022)	Z4984/7200-9610 Z5394/HYM224	1			

* GRADE OF REPAIR (LIGHT MEDIUM OR HEAVY)

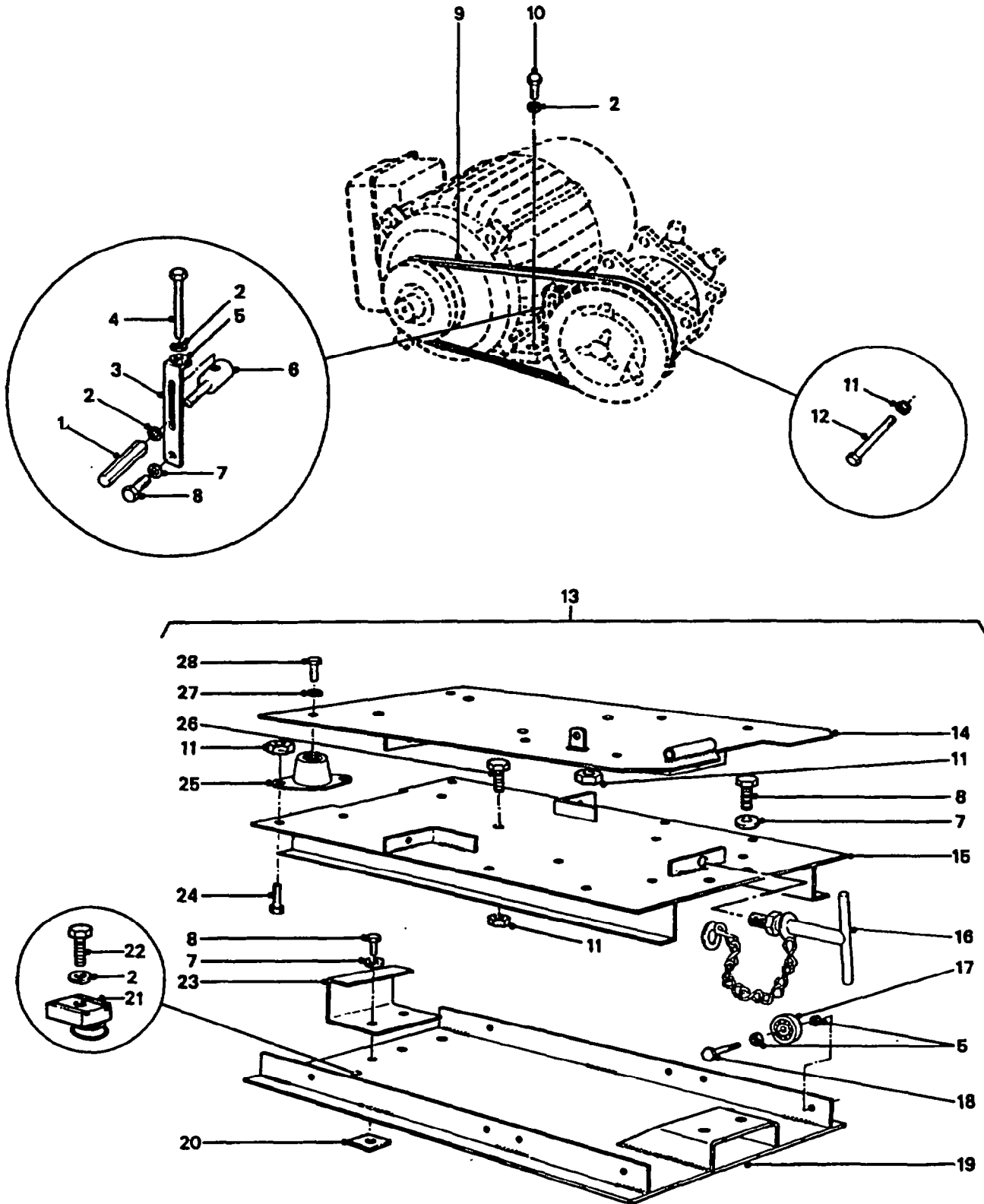


**AIR CONDITIONER COMPRESSOR
ASSEMBLY**

GROUP WVB
TITLE AIR CONDITIONER COMPRESSOR ASSEMBLY

ITEM NO	DESIGNATION	NSN MANUFACTURER CODE/PART NO SUPPLIER CODE/PART NO	NO	U	E	L*
			OFF	O	X	M*
			I	P	H	*
013	GASKET, VALVE PLATE. (USE WVB 012)	/NIL /NIL	1			
014	GASKET, HEAD. (USE WVB 012 OR WVB 015)	/NIL /NIL	1			
015	HEAD ASSEMBLY, CYLINDER. (INCLUDES WVB 014 AND WVB 016)	Z4984/7201-9630 Z5394/HYM225	1			
016	HEAD, CYLINDER. (USE WVB 015)	/NIL /NIL	1			
017	CAP, PROTECTIVE, DISCHARGE PORT.	Z4984/8384-6340 Z5394/HYM226	1			
901	CAP, PROTECTIVE, SUCTION PORT.	Z4984/8384-6330 Z5394/HYM227	1			
018	PORT ASSEMBLY, SERVICE. (INCLUDES WVB 010 AND WVB 019)	Z4984/8384-6400 Z5394/HYM228	2			
019	PORT, SERVICE. (USE WVB 018)	/NIL /NIL	2			
020	CAP, SERVICE PORT.	Z4984/8385-6390 Z5394/HYM229	2			
021	SCREW, CYLINDER HEAD.	Z4984/8351-0471 Z5394/HYM230	8			
022	PLATE ASSEMBLY, VALVE. (INCLUDES WVB 013, WVB 014 AND WVB 023)	Z4984/7400-9621 Z5394/HYM231	1			
023	PLATE, VALVE. (USE WVB 022)	/NIL /NIL	1			

* GRADE OF REPAIR (LIGHT MEDIUM OR HEAVY)

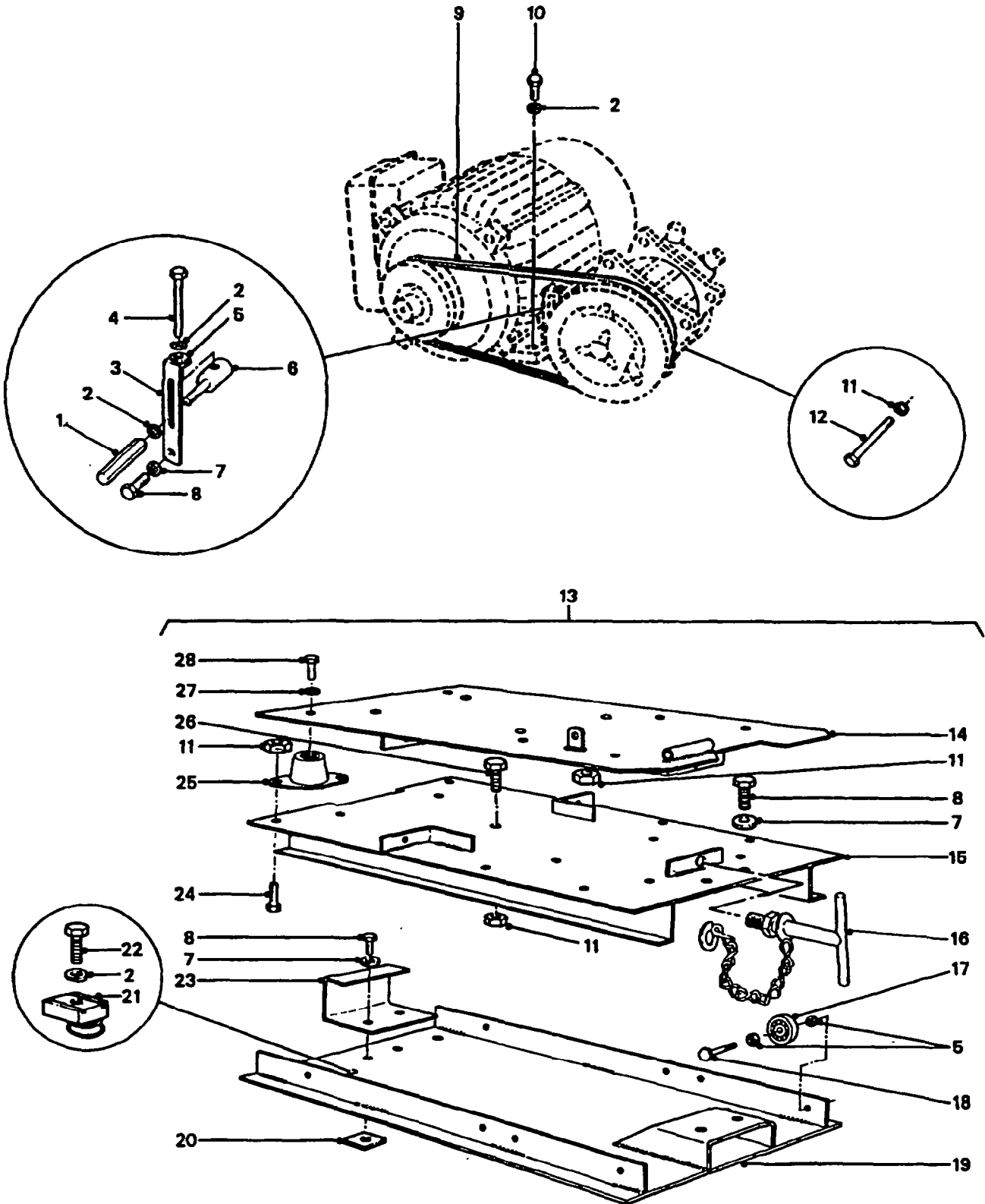


**AIR CONDITIONER COMPRESSOR AND
DRIVE MOTOR MOUNTINGS AND
DRIVE BELT**

GROUP WVBA
TITLE AIR CONDITIONER COMPRESSOR AND DRIVE MOTOR MOUNTINGS
 AND DRIVE BELT

ITEM NO	DESIGNATION	NSN MANUFACTURER CODE/PART NO SUPPLIER CODE/PART NO	NO OFF	U	E	L*
				O	X	M*
				I	P	H*
001	NUT, ADJUSTING, 10 MM THD., DIA., BLIND HOLE, 16 MM A/F., 65 MM LG., STEEL, BLACK FINISH.	ZV053/12-1098 Z5394/HYM245	1			
002	WASHER, LOCK, SPRING, STEEL, SINGLE TURN, ZINC PLATED, 10 MM, 15.90 MM O.D., 2.50 MM THK.	U1030/WL110001 Z5394/WL110001	3			
003	ARM, ADJUSTING, 110 MM LG., 25 MM W., 10 MM HOLE DIA., STEEL, BLACK FINISH.	ZV053/12-1097 Z5394/HYM246	1			
004	SCREW, HEX.HD., 10 MM DIA., 90 MM LG., ZINC PLATED.	ZR910/02255808 Z5394/HYM247	1			
005	WASHER, FLAT, 10 MM I.D., ZINC PLATED.	U1030/WA110001 Z5394/WA110001	18			
006	SPOOL, ADJUSTING, AIR CONDITIONER DRIVE BELT, 10 MM THD. DIA., 25 MM THD. LG., STEEL.	ZV053/12-1099 Z5394/HYM248	1			
007	WASHER, FLAT, ZINC PLATED, 10 MM	U1030/WM110001 Z5394/WM110001	5			
008	SCREW, MACHINE, ISO METRIC, 6G, STEEL, HEX., HD. ZINC PLATED, 10 MM, 1.50 MM PITCH, 25 MM LG. METRIC, STEEL, HEX HD, 10 MM	U1030/SH110251 Z5394/SH110251	5			
009	BELT, V NOTCHED, AIR CONDITIONER COMPRESSOR DRIVE, 800 MM EFFECTIVE LENGTH	3030 66-128-6060 11288/13A0800GL Z5394/HYM249	1	EA	X	LMH
010	SCREW, MACHINE, ISO METRIC, 6G, GRADE 8.8, STEEL, HEX. HD., CAD PLATED AND PASSIVATED, 10 MM DIA., 30 MM LG.	U1030/FS110301 Z5394/FS110301	4			
011	NUT, SELF-LOCKING, HEXAGON, ISO METRIC, STEEL, ZINC COATED, 10 MM DIA., 1.5 MM PITCH, W/NYLON INSERT	U1030/NY110041 Z5394/NY110041	17			

* GRADE OF REPAIR (LIGHT MEDIUM OR HEAVY)



**AIR CONDITIONER COMPRESSOR AND
DRIVE MOTOR MOUNTINGS AND
DRIVE BELT**

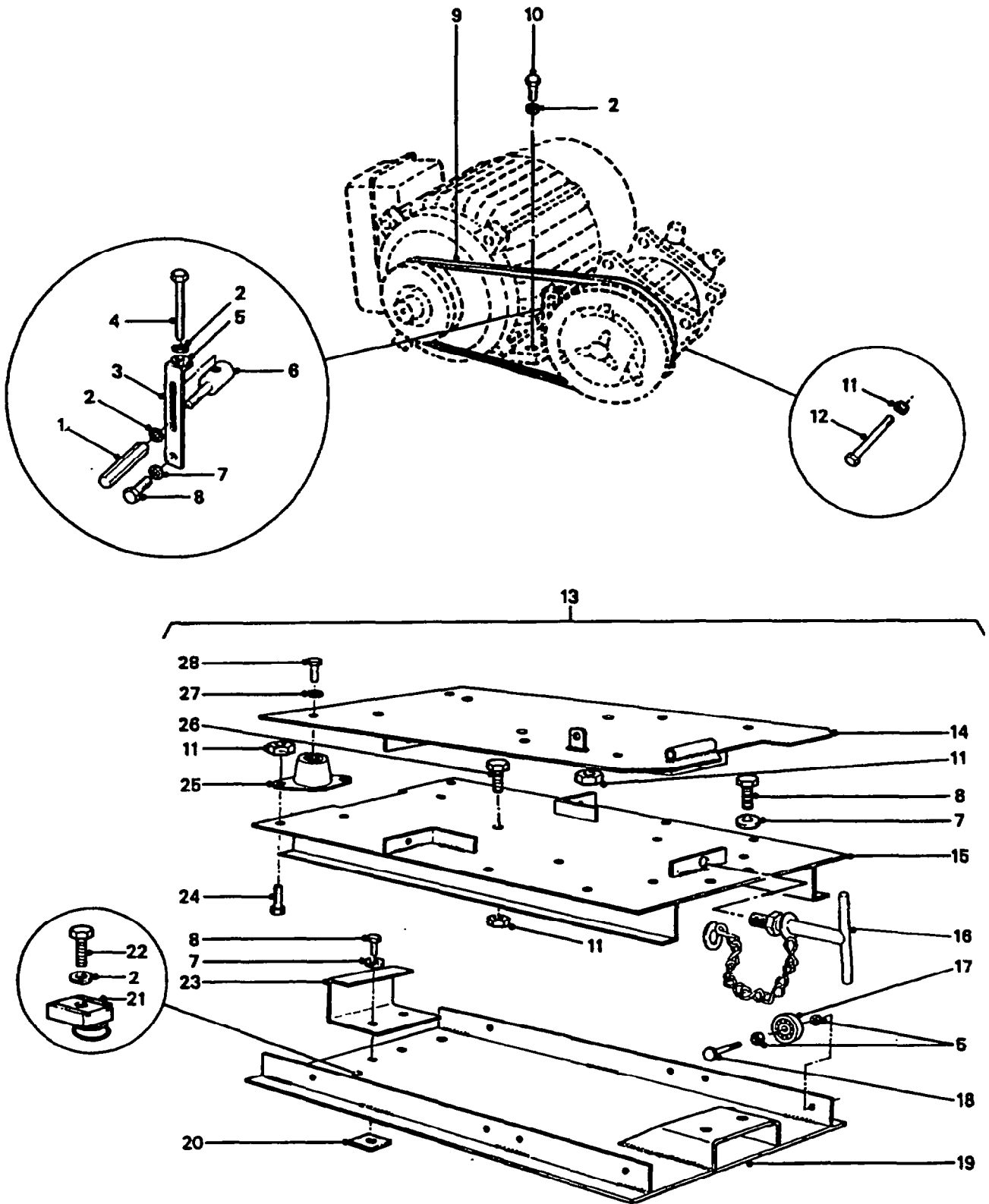
GROUP WVBA

TITLE AIR CONDITIONER COMPRESSOR AND DRIVE MOTOR MOUNTINGS
AND DRIVE BELT

ITEM NO	DESIGNATION	NSN MANUFACTURER CODE/PART NO SUPPLIER CODE/PART NO	NO OFF	U O I	E X P	L* M* H*
012	BOLT, HEX. HD., SHORT THD., 10 MM DIA., 110 MM LG., 1.25 MM PITCH, HIGH TENSILE.	U1030/BH110221 Z5394/BH110221	1			
013	MOUNTING ASSEMBLY, AIR CONDITIONER COMPRESSOR AND DRIVE MOTOR. (INCLUDES WVBA 005 - 8 OFF, WVBA 007 - 5 OFF, WVBA 008 - 4 OFF, WVBA 011 - 7 OFF, WVBA 014 TO WVBA 020 AND WVBA 023 TO WVBA 028)	ZV053/12-8249 Z5394/HYM250	1			
014	PLATE, MOUNTING, AIR CONDITIONER COMPRESSOR AND DRIVE MOTOR, 400 MM LG., 250 MM W., 6 MM THK., FLAT MILD STEEL. (USE WVBA 013)	/NIL /NIL	1			
015	PLATE, MOUNTING, VIBRATION BLOCK, 420 MM LG., 250 MM W., 6 MM THK., FLAT MILD STEEL. (USE WVBA 013)	/NIL /NIL	1			
016	TRAVEL BOLT, 10 MM DIA. (MODIFY VIDE EMEI VEH G 257-1)	Z5394/HYG6420 Z5394/HYG6420	1			
017	BEARING, BALL, DEEP GROOVE, SEALED BOTH ENDS, 10 MM I.D., 30 MM O.D., 9 MM W. (ALSO PART OF WVBA 013)	23803/6200LV Z5394/HYM252	8			
018	SCREW, HEX. HD., 10 MM DIA., 25 MM LG., 3 MM MODIFIED HD. THK.	ZV053/03-2604H Z5394/HYM253	8			
019	PLATE, BASE, 420 MM LG., 250 MM W., 6 MM THK., FLAT MILD STEEL. (USE WVBA 013)	/NIL /NIL	1			
020	SPACER, 50 MM LG., 50 MM W., 10 MM THK., 11 MM HOLE DIA., STEEL, BLACK FINISH. (USE WVBA 013)	ZV053/121100 Z5394/HYM254	8			
021	NUT, UNISTRUT, 10 MM THD. DIA., RECTANGULAR WITH ROUNDED CORNERS, GROOVED TO FIT UNISTRUT TRACK, FIXED SPRING ON BOTTOM.	ZA231/P4008M10 Z5394/HYL9967	4			

ISSUE NO: 1 REPAIR PARTS SCALE : 02222 PAGE NO: 160

* GRADE OF REPAIR (LIGHT MEDIUM OR HEAVY)

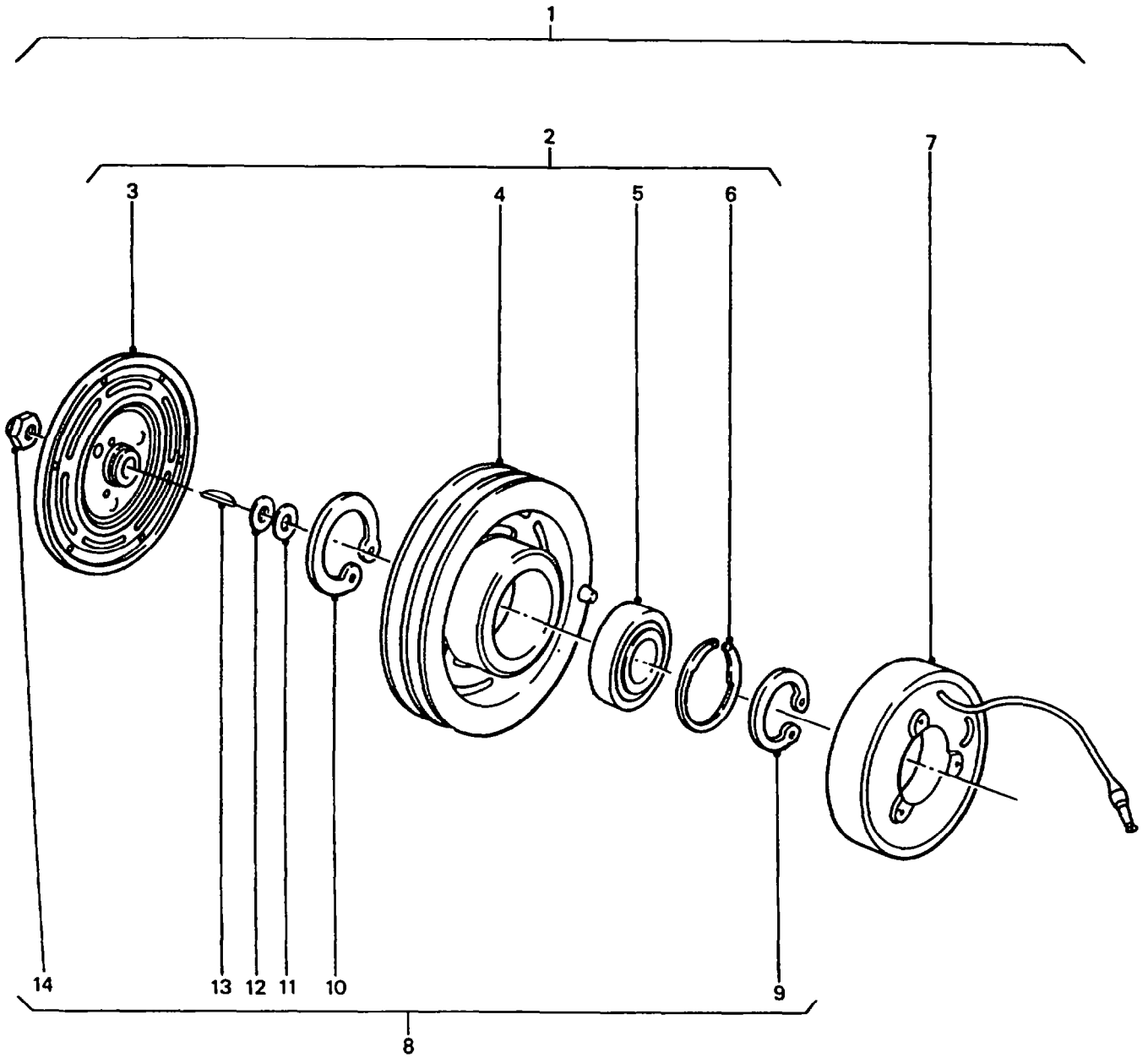


**AIR CONDITIONER COMPRESSOR AND
DRIVE MOTOR MOUNTINGS AND
DRIVE BELT**

GROUP WVBA
TITLE AIR CONDITIONER COMPRESSOR AND DRIVE MOTOR MOUNTINGS
 AND DRIVE BELT

ITEM NO	DESIGNATION	NSN MANUFACTURER CODE/PART NO SUPPLIER CODE/PART NO	NO OFF	U	E	L*
				I	P	H*
022	SCREW, HEX. HD., 10 MM DIA., 40 MM LG., ZINC PLATED.	U1030/SH110401 Z5394/SH110401	4			
023	BRACKET, SLIDE STOP, 65 MM LG., 50 MM H., 6 MM THK., FLAT MILD STEEL. (ALSO PART OF WVBA 013)	ZV053/12-1096 Z5394/HYM255	1			
024	SCREW, HEX. HD., 8 MM DIA., 25 MM LG., 1.25 MM PITCH, 8.8 GRADE.	U1030/FS108251 Z5394/FS108251	12			
025	MOUNT, VIBRATION, RUBBER, 8 MM THD. DIA., 80 MM LG., 28 MM H. (ALSO PART OF WVBA 013)	Z1790/RD1 Z5394/HYM256	6			
026	SCREW, SLIDE LIMITER, HEX. HD., 10 MM DIA., 20 MM LG., 1.5 MM PITCH, 8.8 GRADE.	U1030/SH110201 Z5394/SH110201	1			
027	WASHER, LOCK, STEEL, SINGLE COIL, SQUARE SECTION, 8 MM BOLT SIZE	U1030/WM108001 Z5394/WM108001	6			
028	SCREW, HEX. HD., 8 MM DIA., 25 MM LG., 1.25 MM PITCH, 8.8 GRADE	U1030/SH108251 Z5394/SH108251	6			

* GRADE OF REPAIR (LIGHT MEDIUM OR HEAVY)



AIR CONDITIONER CLUTCH AND PULLEY ASSEMBLY

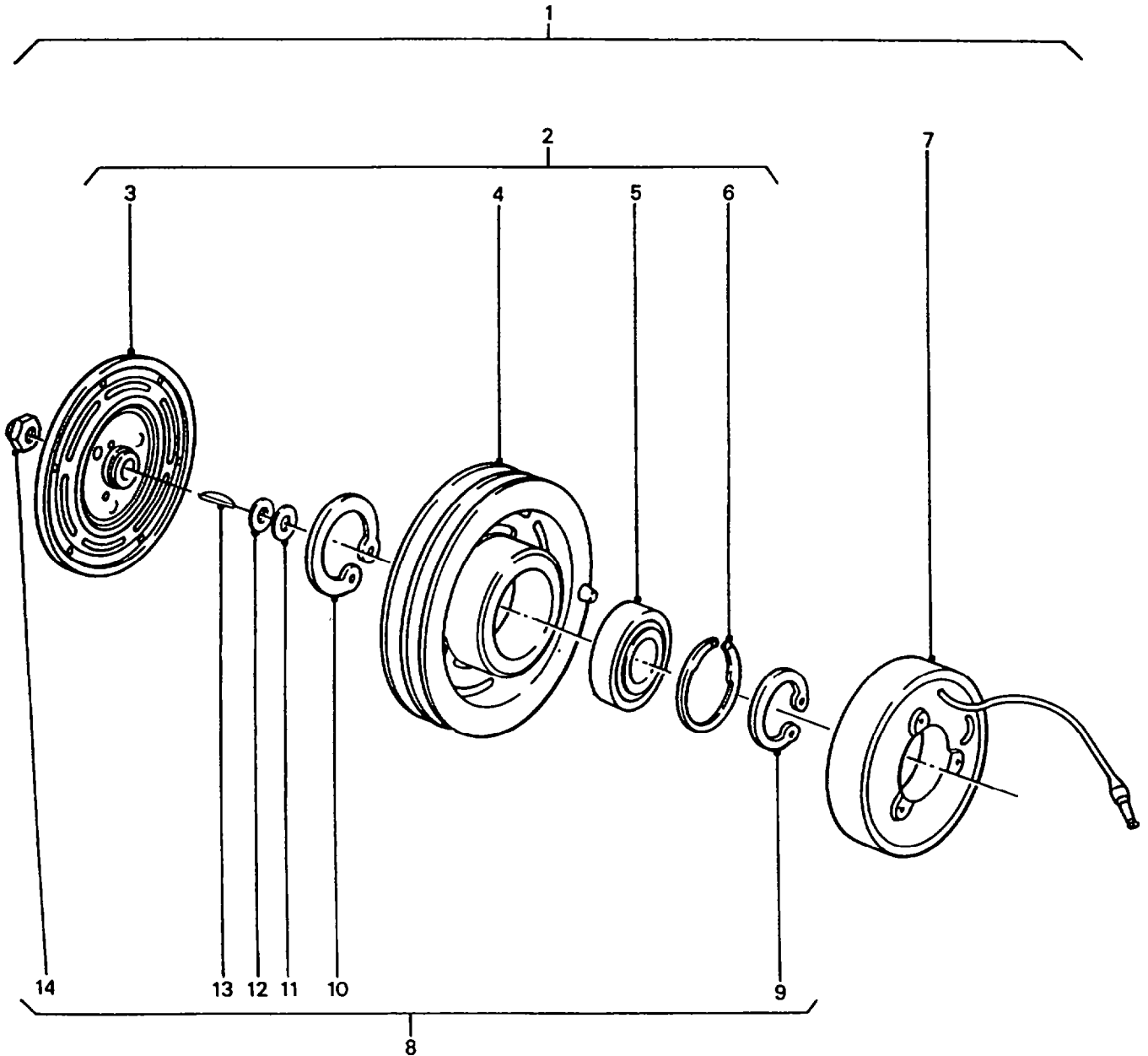
GROUP WVBB

TITLE AIR CONDITIONER CLUTCH AND PULLEY ASSEMBLY

ITEM NO	DESIGNATION	NSN MANUFACTURER CODE/PART NO SUPPLIER CODE/PART NO	NO OFF	U O	E X	L* M*
			I	P	H*	
001	CLUTCH ASSEMBLY, AIR CONDITONER. (INCLUDES WVBB 002 TO WVBB 007, ALSO PART OF WVB 001)	Z4984/0052-6310 Z5394/HYM292	1			
002	PULLEY ASSEMBLY. (INCLUDES WVBB 003 TO WVB 006, ALSO PART OF WVBB 001)	Z4984/9604-9810 Z5394/HYM293	1			
003	COVER. (USE WVBB 002)	/NIL /NIL	1			
004	PULLEY, DOUBLE GROOVED, 125 MM O.D. 50 MM TO 55 MM TAPERED I.D., ZINC PLATED, (USE WVBB 002)	/NIL /NIL	1			
005	BEARING, BALL, ANNULAR 55 MM OD, 35 MM ID 20 MM W, DOUBLE ROW , SHIELDED BOTH SIDES (ALSO PART OF WVBB 002)	3110 66-128-6112 S4062/35BD219T12VVCG33 Z5394/HYM294	1	EA	X	MH
006	CLIP, SPRING, EXTERNAL, EXPANDING, 60 MM O.D., 1.5 MM THK. (USE WVBB 002)	/NIL /NIL	1			
007	COIL, ELECTRICAL AIR CONDITIONER CLUTCH AND PULLEY ASSEMBLY (ALSO PART OF WVBB 001)	5950 66-128-6069 Z4984/9436-6040 Z5394/HYM295	1	EA	X	MH
008	KIT, ACCESSORY. (INCLUDES WVBB 009 TO WVBB 014)	Z4984/9601-9801 Z5394/HYM296	1			
009	CIRCLIP, FIELD COIL RETAINING, EXTERNAL, CONTRACTING, 42 MM I.D., 2 MM THK. (USE WVBB 008)	/NIL /NIL	1			
010	CIRCLIP, PULLEY RETAINING, CONTRACTING, 33 MM I.D., 1.5 MM THK. (USE WVBB 008)	/NIL /NIL	1			
011	SHIM, 20 MM O.D., 15 MM I.D., 0.1 MM THK. (USE WVBB 008)	/NIL /NIL	1			

ISSUE NO: 1 REPAIR PARTS SCALE : 02222 PAGE NO: 162

* GRADE OF REPAIR (LIGHT MEDIUM OR HEAVY)



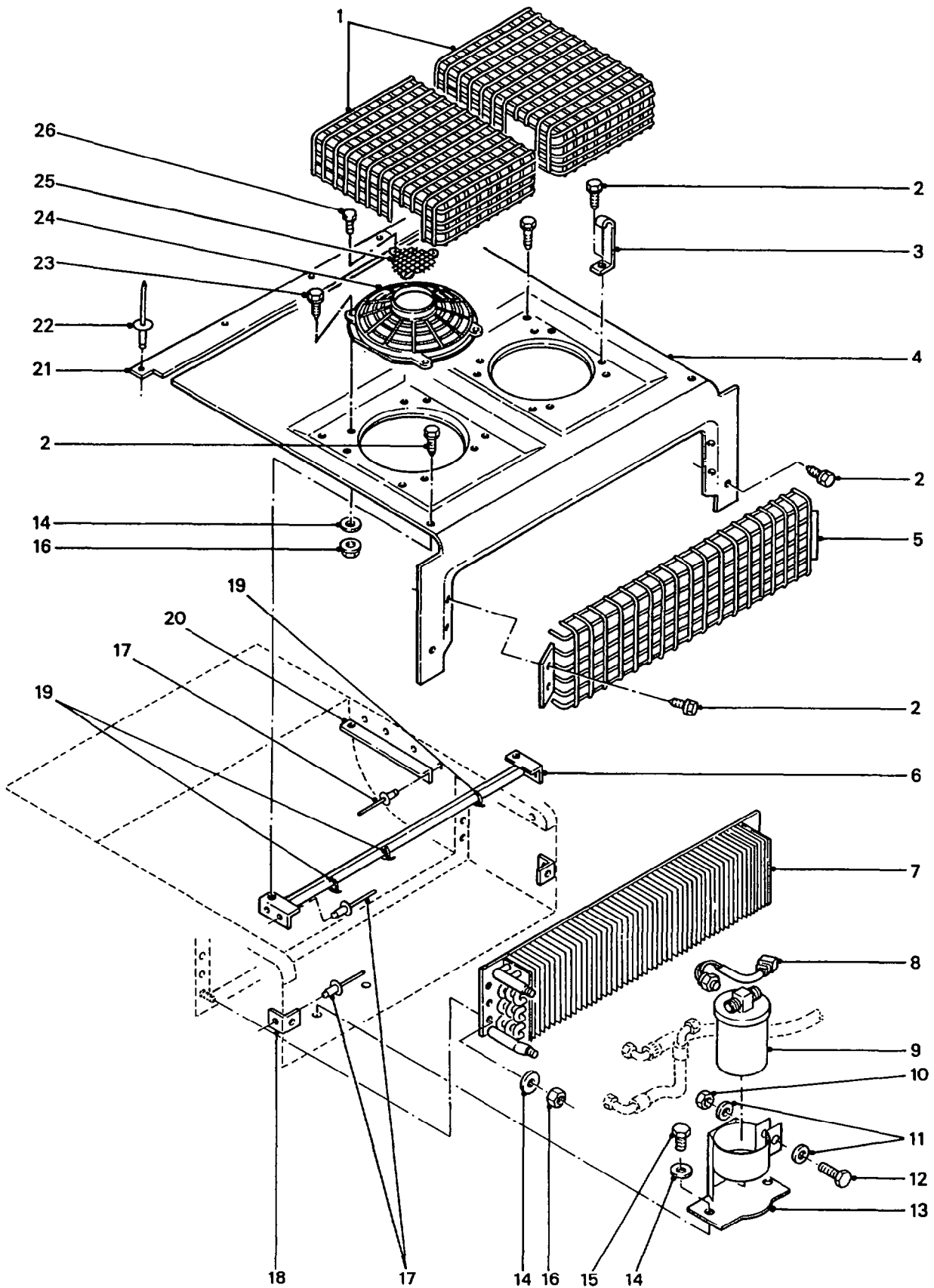
AIR CONDITIONER CLUTCH AND PULLEY ASSEMBLY

GROUP WVBB

TITLE AIR CONDITIONER CLUTCH AND PULLEY ASSEMBLY

ITEM NO	DESIGNATION	NSN MANUFACTURER CODE/PART NO SUPPLIER CODE/PART NO	NO	U	E	L*
			OFF	O	X	M*
				I	P	H*
012	SHIM, 20 MM O.D., 15 MM I.D., 0.05 MM THK. (USE WVBB 008)	/NIL /NIL	1			
013	KEY, SHAFT, 12 MM LG., 3 MM W., STEEL. (USE WVBB 008)	/NIL /NIL	1			
014	NUT, SELF-LOCKING, HEXAGON, ISO METRIC, STEEL, NYLON INSERT, ZINC COATED, 12 MM	U1030/NY112041 Z5394/NY112041	1			

* GRADE OF REPAIR (LIGHT MEDIUM OR HEAVY)



**AIR CONDITIONER CONDENSER
ASSEMBLY AND MOUNTINGS**

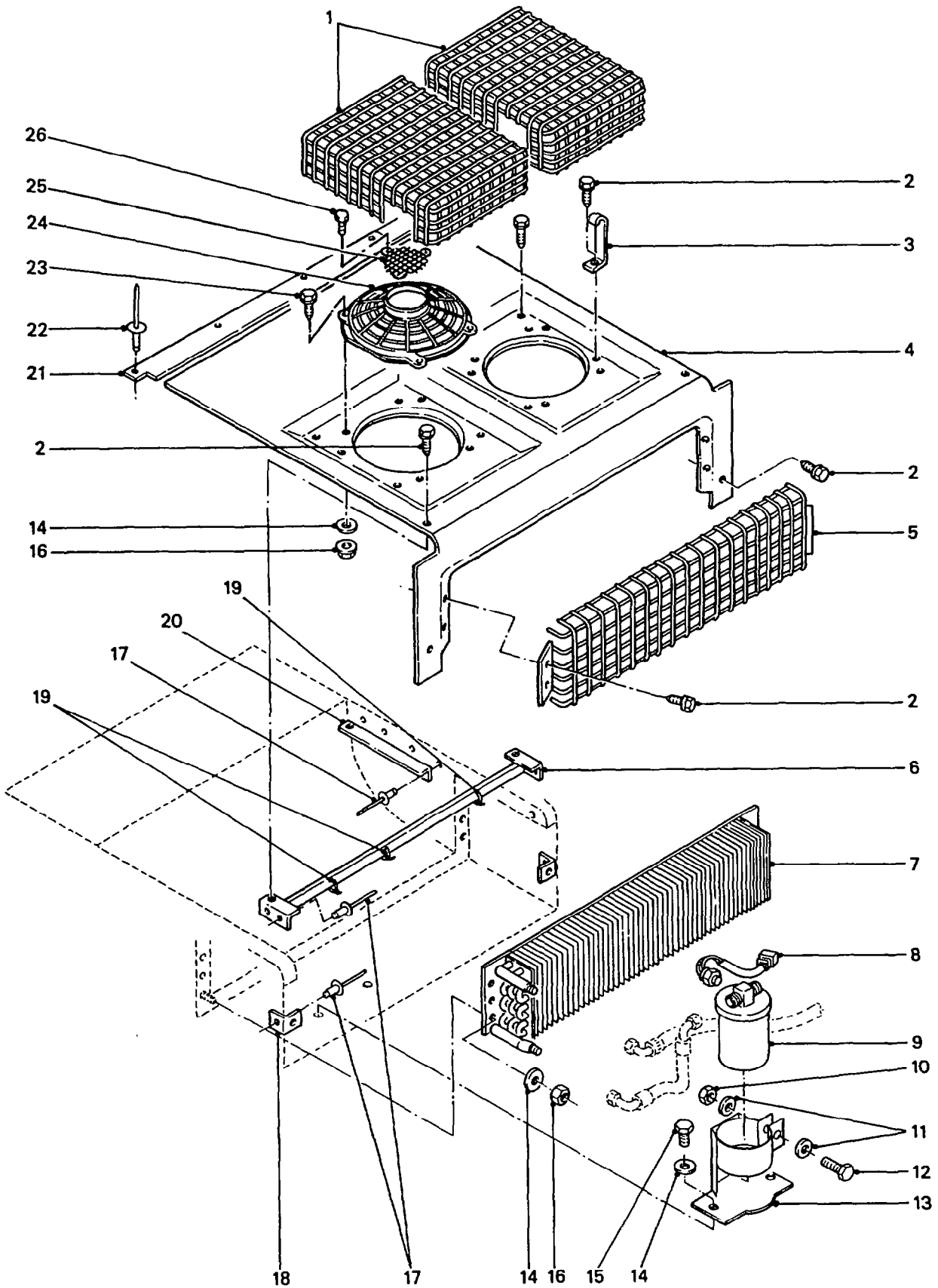
GROUP WVBC

TITLE AIR CONDITIONER CONDENSER ASSEMBLY AND MOUNTINGS

ITEM NO	DESIGNATION	NSN MANUFACTURER CODE/PART NO SUPPLIER CODE/PART NO	NO OFF	U	E	L*
				O	X	M*
				I	P	H*
001	GRILLE TOP, AIR CONDITIONER CONDENSER, 25 MM BY 25 MM BY 3 MM, 425 MM LG., 325 MM W., GALVANISED. (MANUFACTURE FROM WVBC 903)	Z4976/720216 Z5394/HYM280	2			
901	CONDENSOR MESH (MODIFY VIDE EMEI VEH. G 257-1)	Z5394/HYG6522 Z5394/HYG6522	2			
002	SCREW, SELF-DRILLING	Z5394/MYH3337 Z5394/MYH3337	26			
003	BRACKET, GRILLE SECURING, AIR CONDITIONER CONDENSER, 85 MM LG., 20 MM W., 0.9 MM THK., STAINLESS STEEL.	Z4976/720217 Z5394/HYM281	8			
004	COVER, AIR CONDITIONER CONDENSER, FIBREGLASS.	Z4976/720140 Z5394/HYM282	1			
005	GRILLE, FRONT, AIR CONDITIONER CONDENSER, 25 MM BY 25 MM BY 3 MM, 800 MM LG., 200 MM W. (MANUFACTURE FROM WVBC 903)	Z4976/720218 Z5394/HYM283	1			
006	BRACKET, COVER MOUNTING, AIR CONDITIONER, 795 MM LG.	Z4976/720222 Z5394/HYM284	1			
007	CONDENSER, AIR CONDITIONER.	Z5141/24-5139 Z5394/HYM285	1			
008	SWITCH, PRESSURE, HIGH/LOW.	Z5141/23-2005 Z5394/HYM286	1			
009	FILTER-DRIER, REFRIGERANT	4130 66-128-5930 Z5141/23-7000 Z5394/HYL9029	1	EA	A	LMH
010	NUT, SELF-LOCKING, HEXAGON, METRIC, STEEL, ZINC PLATED, 8 MM 13 MM W. A/F, 9.50 MM H., W/NYLON INSERT	U1030/NY108041 Z5394/NY108041	1			
011	WASHER, FLAT, NORMAL O.D., NORMAL THK., 8 MM I.D., ZINC PLATED.	Z5394/GHF301 Z5394/GHF301	2			

ISSUE NO: 1 REPAIR PARTS SCALE : 02222 PAGE NO: 164

* GRADE OF REPAIR (LIGHT MEDIUM OR HEAVY)



AIR CONDITIONER CONDENSER ASSEMBLY AND MOUNTINGS

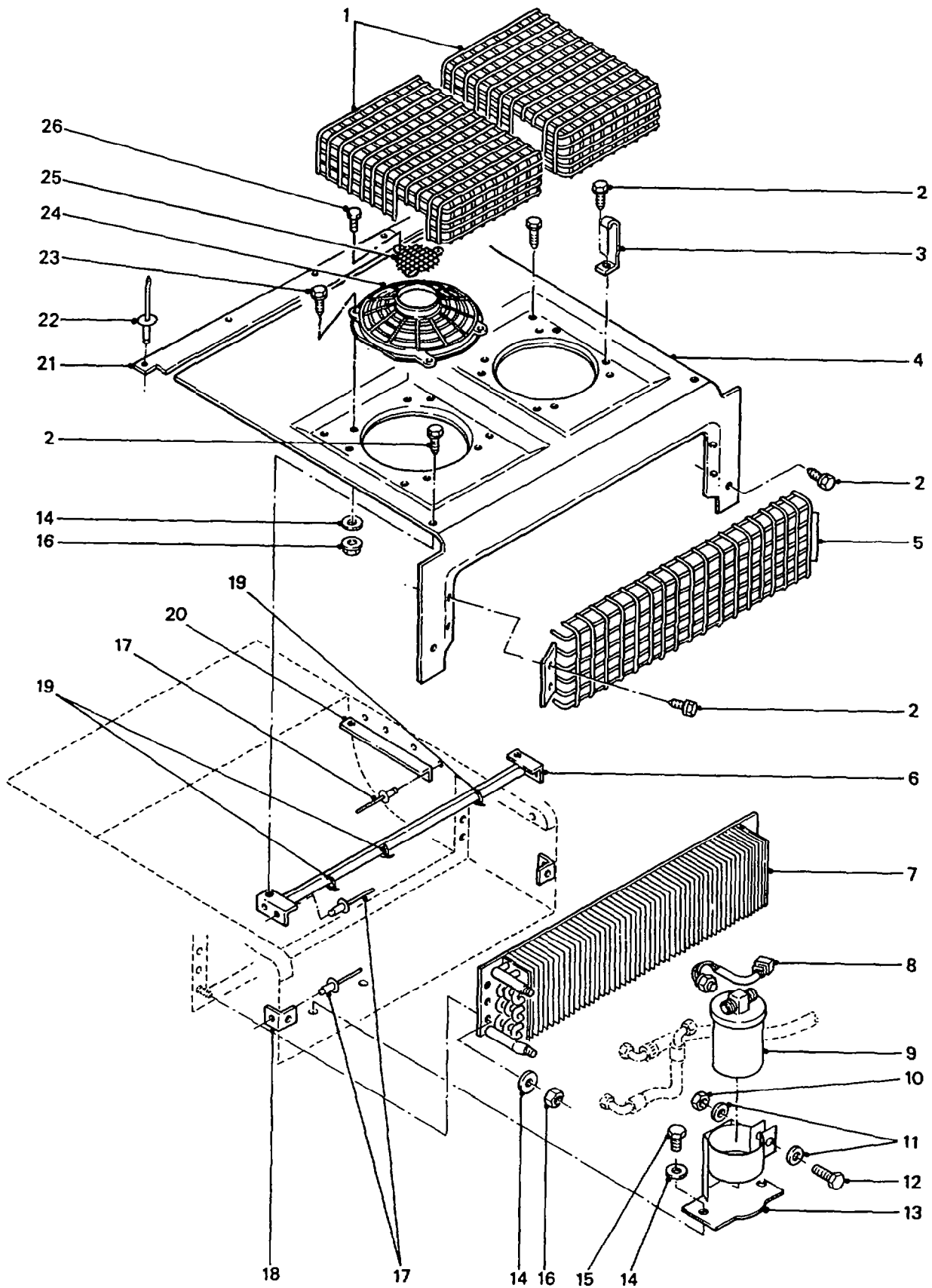
GROUP WVBC

TITLE AIR CONDITIONER CONDENSER ASSEMBLY AND MOUNTINGS

ITEM NO	DESIGNATION	NSN MANUFACTURER CODE/PART NO SUPPLIER CODE/PART NO	NO OFF	U	E	L*
				I	P	H*
012	SCREW, MACHINE, ISO METRIC, STEEL, HEX. HD., 8 MM BY 25 MM LG.	U1030/FS108251 Z5394/FS108251	1			
013	BRACKET, MOUNTING, RECEIVER DRYER, 0.9 MM THK., STAINLESS STEEL.	Z4976/720221 Z5394/HYM287	1			
014	WASHER, FLAT, RD., STEEL, CAD PLATED AND PASSIVATED, 6 MM BOLT SIZE, 12.50 MM O.D., 1.32 MM THK.	Z5394/WA106001 Z5394/WA106001	16			
015	SCREW, MACHINE, ISO METRIC, 6G, STEEL, HEX. HD., ZINC PLATED, 6 MM, 1 MM PITCH, 20 MM LG.	U1030/SH106201 Z5394/SH106201	2			
016	NUT, SELF-LOCKING, HEXAGON	U1030/NY106041 Z5394/NY106041	14			
017	RIVET, POP, 4.8 MM DIA., 13 MM LG., ALUMINIUM.	Z0549/73AS65 Z5394/HYL9945	11			
018	BRACKET, COWL SECURING, 40 MM LG., 20 MM H., 30 MM O.D., 2 MM THK., GALVANISED STEEL.	Z4976/720262 Z5394/HYM288	2			
019	TIE, CABLE, 156 MM LG., NYLON, BLACK.	ZM359/PLL1.51-88-CO Z5394/MYH1763	3			
020	BRACKET, COVER PANEL MOUNTING, AIR CONDITIONER, "L" SHAPED, 300 MM LG., 30 MM W., 25 MM W.	Z4976/720223 Z5394/HYM289	2			
021	PANEL, COVER, REAR, AIR CONDITIONER, 870 MM LG., 50 MM W., 0.9 MM THK. STAINLESS STEEL.	Z4976/720224 Z5394/HYM290	1			
022	RIVET, POP, 3.2 MM DIA., 13 MM LG., ALUMINIUM	Z0549/73AS46 Z5394/HYL9927	5			
023	SCREW, MACHINE, ISO METRIC, STEEL, PAN HD., ZINC COATED, 6 MM BY 25 MM LG. BY 25 MM LG.	U1030/SE106251 Z5394/SE106251	8			

ISSUE NO: 1 REPAIR PARTS SCALE : 02222 PAGE NO: 165

* GRADE OF REPAIR (LIGHT MEDIUM OR HEAVY)



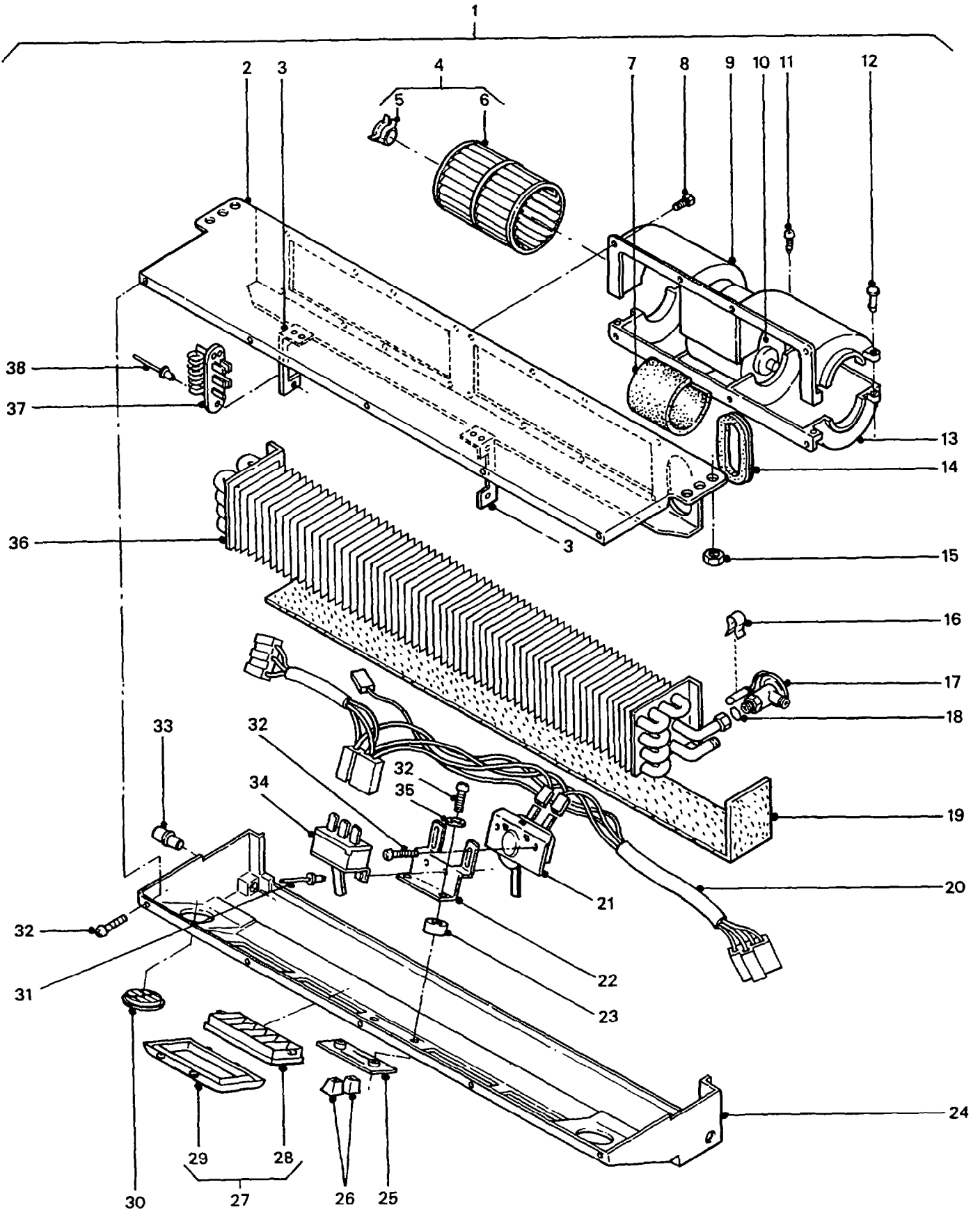
AIR CONDITIONER CONDENSER ASSEMBLY AND MOUNTINGS

GROUP WVBC

TITLE AIR CONDITIONER CONDENSER ASSEMBLY AND MOUNTINGS

ITEM NO	DESIGNATION	NSN MANUFACTURER CODE/PART NO SUPPLIER CODE/PART NO	NO OFF	U	E	L*
				I	P	H*
024	SHROUD, FAN	Z5141/26-5016 Z5394/HYM273	2			
902	MOUNT, FAN	Z5141/26-5018 Z5141/26-5018	8			
025	GRILLE, MESH, FAN PROTECTION	Z5141/18-5004 Z5141/18-5004	2			
026	SCREW, SET, RECESSED ALLEN KEY HEAD, 5 MM DIA., 12 MM LG., 1 MM PITCH	Z5141/01-2412 Z5141/01-2412	6			
903	GRILLE, 25 MM BY 25 MM BY 3 MM, 3 M BULK LG., 2.4 M BULK W., GALVANISED. (USE AS REQUIRED)	ZH339/WG11G3 ZH339/WG11G3	1			

* GRADE OF REPAIR (LIGHT MEDIUM OR HEAVY)

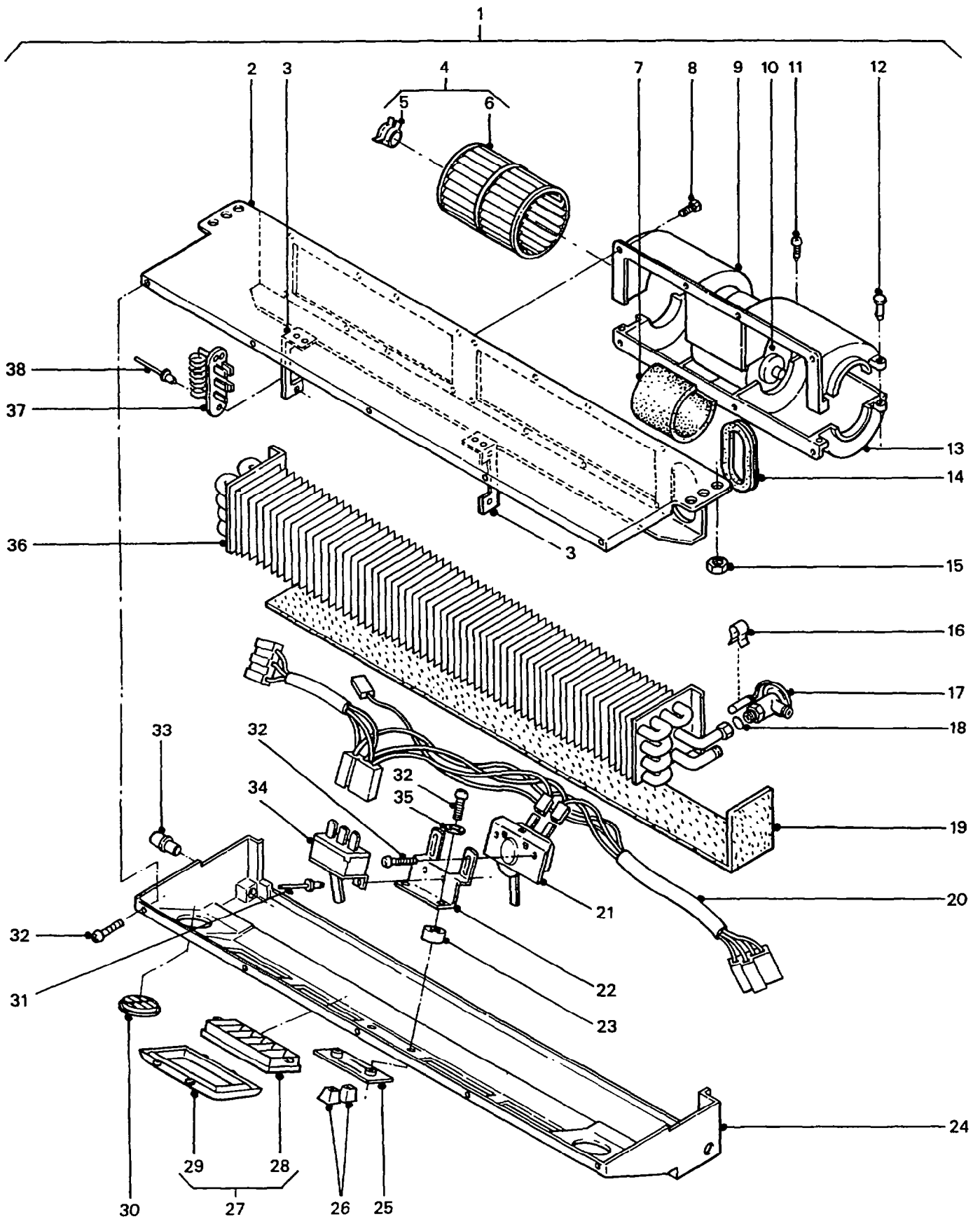


AIR CONDITIONER EVAPORATOR ASSEMBLY

GROUP WVBE
TITLE AIR CONDITIONER EVAPORATOR ASSEMBLY

ITEM NO.	DESIGNATION	NSN MANUFACTURER CODE/PART NO SUPPLIER CODE/PART NO	NO OFF	U O	E X	L* M* H*
001	EVAPORATOR ASSEMBLY, AIR CONDITIONER. (INCLUDES WVBE 002 TO WVBE 014 AND WVBE 016 TO WVBE 038)	Z5141/CM2001/24 Z5394/HYL9019	1			
002	PLATE, BASE, 90 MM LG., 210 MM W.	Z5141/18-1005 Z5141/18-1005	1			
901	PLATE, SIDE, LARGE.	Z5141/18-1007 Z5141/18-1007	1			
902	PLATE, SIDE, SMALL.	Z5141/18-1006 Z5141/18-1006	1			
003	BRACKET, RESISTOR MOUNTING, 92 MM LG., 30 MM W., 27 MM H., 1 MM THK.	Z5141/18-1008 Z5394/HYL9249	2			
004	WHEEL ASSEMBLY, BLOWER. (INCLUDES WVBE 005 AND WVBE 006)	Z5141/16-2501 Z5394/HYL9250	2			
005	CLIP. (ALSO PART OF WVBE 004.)	Z5141/901 Z5141/901	1			
006	WHEEL, BLOWER. (USE WVBE 004.)	/NIL /NIL	1			
007	INSULATOR, FAN MOTOR TO HOUSING, NEOPRENE RUBBER, 2-1/16 IN. W., 8 IN. LG., 1/16 IN. THK. (MANUFACTURE FROM WVBE 906)	Z5141/15-3208 Z5394/HYL9235	2			
008	SCREW, BLOWER HOUSING TO BASE PLATE, HEX. HD., SELF TAPPING, CAPTIVE WASHER, NO. 8 GAUGE, 1/2 IN. LG.	Z5141/01-7082 Z5394/HYL9252	16			
009	SCROLL, BLOWER, TOP.	Z5141/17-2603 Z5394/HYL9253	2			
010	MOTOR, DOUBLE SHAFT, 24 VOLT.	Z5141/15-2421 Z5394/HYL9020	2			

* GRADE OF REPAIR (LIGHT MEDIUM OR HEAVY)



AIR CONDITIONER EVAPORATOR ASSEMBLY

GROUP WVBE

TITLE AIR CONDITIONER EVAPORATOR ASSEMBLY

ITEM NO	DESIGNATION	NSN MANUFACTURER CODE/PART NO SUPPLIER CODE/PART NO	NO OFF	U O	E X	L* M* H*
011	SCREW, TOP SCROLL TO BOTTOM SCROLL, SELF TAPPING, HEX. HD., NO. 8 GAUGE, 3/4 IN. LG.	Z5141/01-0083 Z5394/HYL9254	8			
012	PIN, SNAP, TOP SCROLL TO BOTTOM SCROLL, BLACK, PLASTIC, 6 MM DIA., 23 MM LG., 8 MM HD. DIA.	Z5141/17-2605 Z5394/HYL9255	12			
013	SCROLL, BLOWER, BOTTOM.	Z5141/17-2604 Z5394/HYL9256	2			
014	GROMMET, OVAL.	Z5141/20-9907 Z5394/HYL9257	1			
015	NUT, EVAPORATOR ASSEMBLY TO MODULE ROOF, 6 MM DIA., NYLOC.	U1030/NY106041 Z5394/NY106041	6			
016	CLAMP, BULB.	Z5141/14-2300 Z5141/14-2300	1			
017	VALVE, TX, 1-1/2 TON, 3/8 IN. THD. DIA., MALE, 1/2 IN. THD. DIA., MALE.	Z5141/14-2311 Z5394/HYL9026	1			
018	'O' RING, NUMBER 8, 14 MM O.D., 1.8 MM THK., NITRILE RUBBER.	Z5141/20-3109 Z5394/HYL9258	1			
903	TAPE, TACKY, 50 MM W., 2 MM THK. (MANUFACTURE FROM WVBE 907, USE AS REQUIRED.)	Z5141/20-9800 Z5141/20-9800	1			
019	FILTER, SPIT SCREEN. (MANUFACTURE FROM WVBE 908)	Z5141/11-1201 Z5394/HYL9259	2			
020	HARNESS, ASSEMBLY, WIRING. (INCLUDES WVBE 904.)	Z5141/10-1007 Z5394/HYL9260	1			
904	FUSE, IN LINE, 25 AMP, 3 AG., 32 VOLT, 6 MM DIA., 32 MM LG., GLASS. (ALSO PART OF WVBE 020.)	Z5141/09-2425 Z5394/HYL9261	1			
021	SWITCH, THERMOSTAT, SLIDE. (MODIFY VIDE EMEI VEH. G 257-1)	Z5141/13-2204-1 Z5394/HYL9022	1			

ISSUE NO: 1 REPAIR PARTS SCALE : 02222 PAGE NO: 168

* GRADE OF REPAIR (LIGHT MEDIUM OR HEAVY)

GROUP WVBE

TITLE AIR CONDITIONER EVAPORATOR ASSEMBLY

ITEM NO	DESIGNATION	NSN MANUFACTURER CODE/PART NO SUPPLIER CODE/PART NO	NO OFF	U O	E X	L* M*
				I	P	H*
022	BRACKET, SWITCH MOUNTING.	Z5141/18-2711 Z5394/HYL9262	1			
023	SPACER, 14 MM O.D., 8.5 MM I.D., 5.5 MM H.	Z5141/03-0504 Z5394/HYL9243	4			
024	BEZEL, ABS, CONDENSER HOUSING, 90 MM LG., 250 MM W., 150 MM H., BROWN.	Z5141/08-3085 Z5394/HYL9263	1			
905	INSULATION, SOFLON, 800 MM LG., 180 MM W., GREY. (MANUFACTURE FROM WVBE 909)	Z5141/11-1003 Z5394/HYL9264	3			
025	DECAL, SWITCH PLATE.	Z5141/11-1310 Z5394/HYL9265	1			
026	KNOB.	Z5141/11-2005 Z5394/HYL9025	2			
027	LOUVRE ASSEMBLY, RECTANGULAR, ADJUSTABLE, BLACK, 4-1/2 IN. LG., 7/8 IN. W., 1-5/8 IN. H. (INCLUDES WVBE 028 AND WVBE 029)	Z5141/11-1802 Z5394/HYL9023	4			
028	LOUVRE. (USE WVBE 027.)	/NIL /NIL	1			
029	BEZEL, LOUVRE, BLACK, 5-7/16- IN, LG., 17/32 IN. W., 2-3/16 IN. H. (USE WVBE 027.)	/NIL /NIL	1			
030	VENT, ROUND BLACK, 2-1/2 IN. DIA.	Z5141/11-1808 Z5394/HYL9024	2			
031	RIVET, POP, 3/32 IN. DIA., 1/2 IN. LG.	Z5141/01-9310 Z5141/01-9310	6			
032	SCREW, TAPPING, THREAD FORMING, BRONZE, RECESSED PAN HD, POINTED, NO. 6 BY 1/2 IN. LG.	Z5141/01-0062 Z5394/AB606044	9			

ISSUE NO: 1 REPAIR PARTS SCALE : 02222 PAGE NO: 169

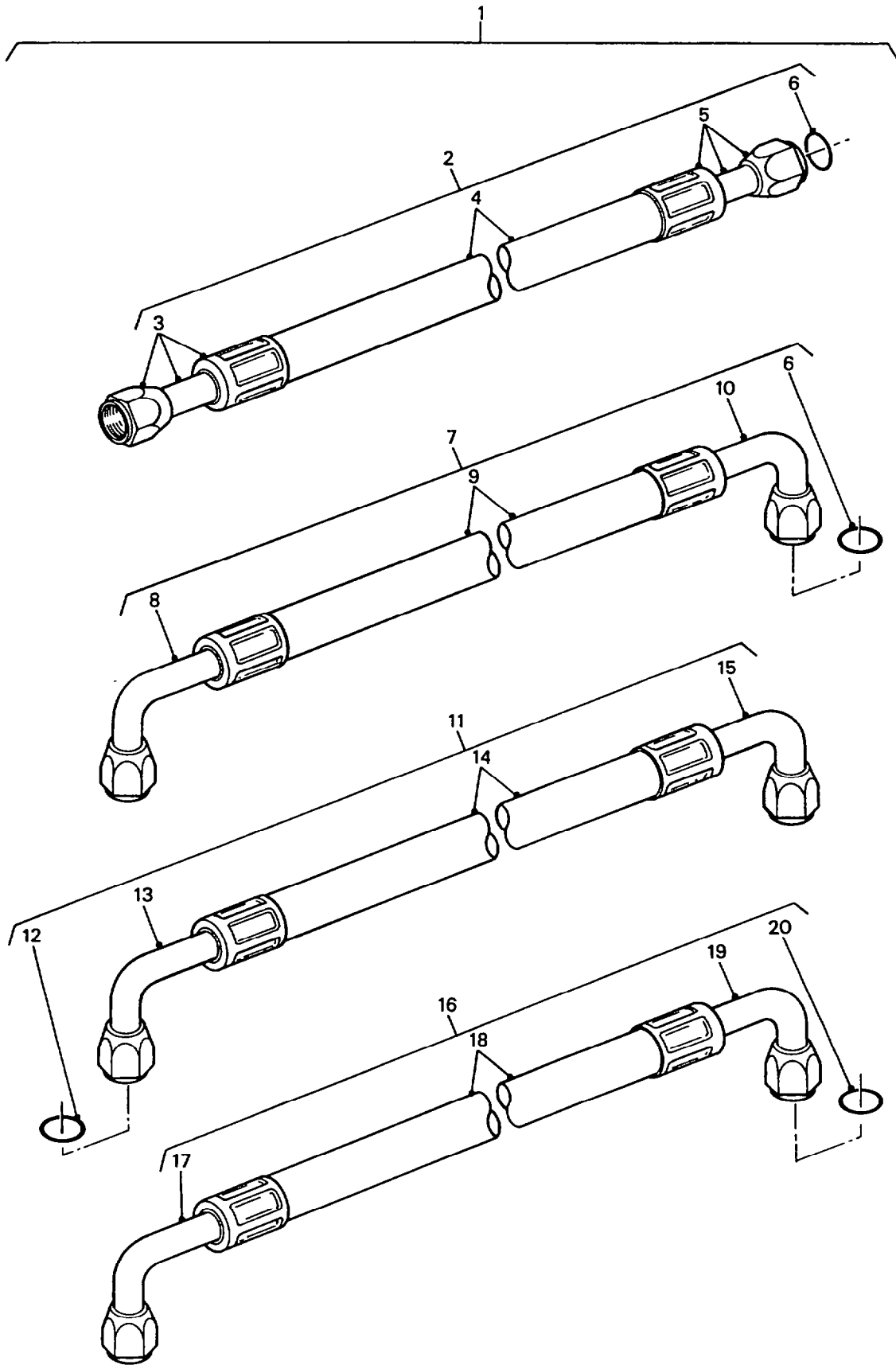
* GRADE OF REPAIR (LIGHT MEDIUM OR HEAVY)

GROUP WVBE

TITLE AIR CONDITIONER EVAPORATOR ASSEMBLY

ITEM NO	DESIGNATION	NSN MANUFACTURER CODE/PART NO SUPPLIER CODE/PART NO	NO OFF	U O I P	E X P H	L* M* H*
033	STUB, DRAIN, BLACK, PLASTIC, 26 MM OVERALL LG., 2 MM FLANGE, 12 MM O.D., 9.5 MM I.D.	Z5141/19-2002 Z5141/19-2002	2			
034	SWITCH, FAN, SLIDE, 4 SPEED.	Z5141/09-2928 Z5394/HYL9021	1			
035	WASHER, FLAT, RD, STEEL, CADPLATED AND PASSIVATED, 5 MM I.D., 10 O.D., 1.10 MM THK.	Z5141/01-1103 Z5394/WA105001	2			
036	COIL, EVAPORATOR.	Z5141/24-2560 Z5394/HYL9027	1			
037	RESISTOR, 0.5 OHMS AND ABOVE PLUS OR MINUS 10%, BELOW 0.5 OHMS PLUS OR MINUS 15%.	Z5141/09-2933 Z5394/HYL9036	2			
038	RIVET, POP, LARGE FLANGE, 3.2 MM DIA., 10 MM LG., ALUMINIUM/STEEL.	Z5141/01-9310 Z5141/01-9310	4			
906	INSULATION, NEOPRENE RUBBER, 1/16 IN. THK., 2-1/16 IN. W., 21-11/16 IN. BULK LG. (USE AS REQUIRED)	Z4823/AMC-1 Z5141/15-3208	1			
907	TAPE, TACKY, WITH CORK, 50 MM W., 2 MM THK., 15 M BULK LG. (USED TO MANUFACTURE WVBE 903.)	Z5141/20-9800 Z5141/20-9800	1			
908	FILTER, SPIT SCREEN, 1420 MM W., 40 M BULK LG. (USE AS REQUIRED)	Z5141/11-1200 Z5141/11-1200	1			
909	INSULATION, SOFLON, GREY, BULK, 1050 MM WIDE, 2 MM THK., 100 M BULK LG. (USE AS REQUIRED)	Z4823/3002 Z5141/11-1000	1			

* GRADE OF REPAIR (LIGHT MEDIUM OR HEAVY)

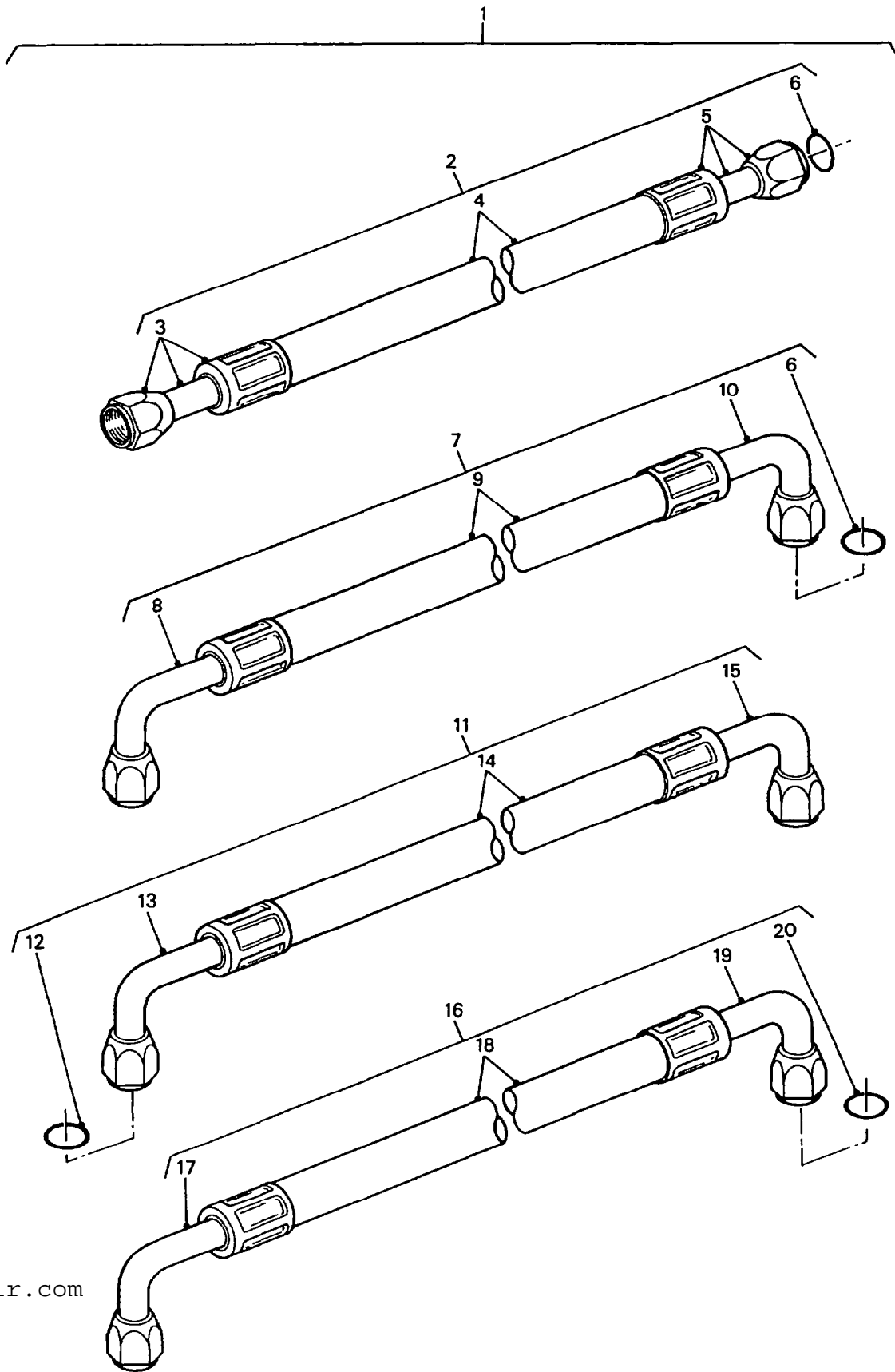


GROUP WVC

TITLE AIR CONDITIONER HOSES AND FITTINGS

ITEM NO	DESIGNATION	NSN MANUFACTURER CODE/PART NO SUPPLIER CODE/PART NO	NO OFF	U	E	L*
				O	X	M*
			I	P	H*	
001	HOSE KIT ASSEMBLY, AIR CONDITIONER. (INCLUDES WVC 002 TO WVC 016)	ZV053/HK-4000 Z5394/HYM215	1			
002	HOSE ASSEMBLY, NONMETALLIC AIR CONDITIONER, 5/16 IN. ID, 3/4 IN. OD, 60 IN. OA LG, 5/8 IN. UNF SWIVEL NUT BOTH ENDS (INCLUDES WVC 003 TO WVC 006, ALSO PART OF WVC 001)	4720 66-128-6080 Z5141/20-5097 Z5394/HYM216	1	EA	X	MH
003	FITTING, HOSE, NO. 6, 5/8 IN. THD. DIA., 18 TPI, STRAIGHT, FLARED END. (USE WVC 002)	/NIL /NIL	1			
004	HOSE, AIR CONDITIONER, NO. 6, 5/16 IN. I.D., 57-1/8 IN. LG. (USE WVC 002)	/NIL /NIL	1			
005	FITTING, HOSE, NO. 6, 5/8 IN. THD. DIA., 18 TPI, STRAIGHT. (USE WVC 002)	/NIL /NIL	1			
006	PACKING, PREFORMED SYNTHETIC RUBBER, 0.312 IN. NOM ID BY 0.125 IN. NOM THK (ALSO PART OF WVC 002 AND WVC 007)	5330 66-128-6081 Z5141/20-3009 Z5394/HYL9271	2	EA	X	MH
007	HOSE ASSEMBLY, NONMETALLIC C, AIR CONDITIONER, CONDENSER TO RECEIVER/DRIER, 5/16 IN. ID, 3/4 IN. OD, 13-3/8 IN. OA LG, W/ 5/8 IN. UNF INT THD ELBOW, SWIVEL NUT FITTING BOTH (INCLUDES WVC 006 AND WVC 008 TO WVC 010, ALSO PART OF WVC 001)	4720 66-128-6085 Z5141/20-5096 Z5394/HYM217	1	EA	X	MH
008	FITTING, HOSE, NO. 6, 5/8 IN. THD. DIA., 18 TPI, 90 DEG. ELBOW, FLARED. (USE WVC 007)	/NIL /NIL	1			
009	HOSE, AIR CONDITIONER, NO. 6, 5/16 IN. I.D., 10-5/8 IN. LG. (USE WVC 007)	/NIL /NIL	1			

* GRADE OF REPAIR (LIGHT MEDIUM OR HEAVY)



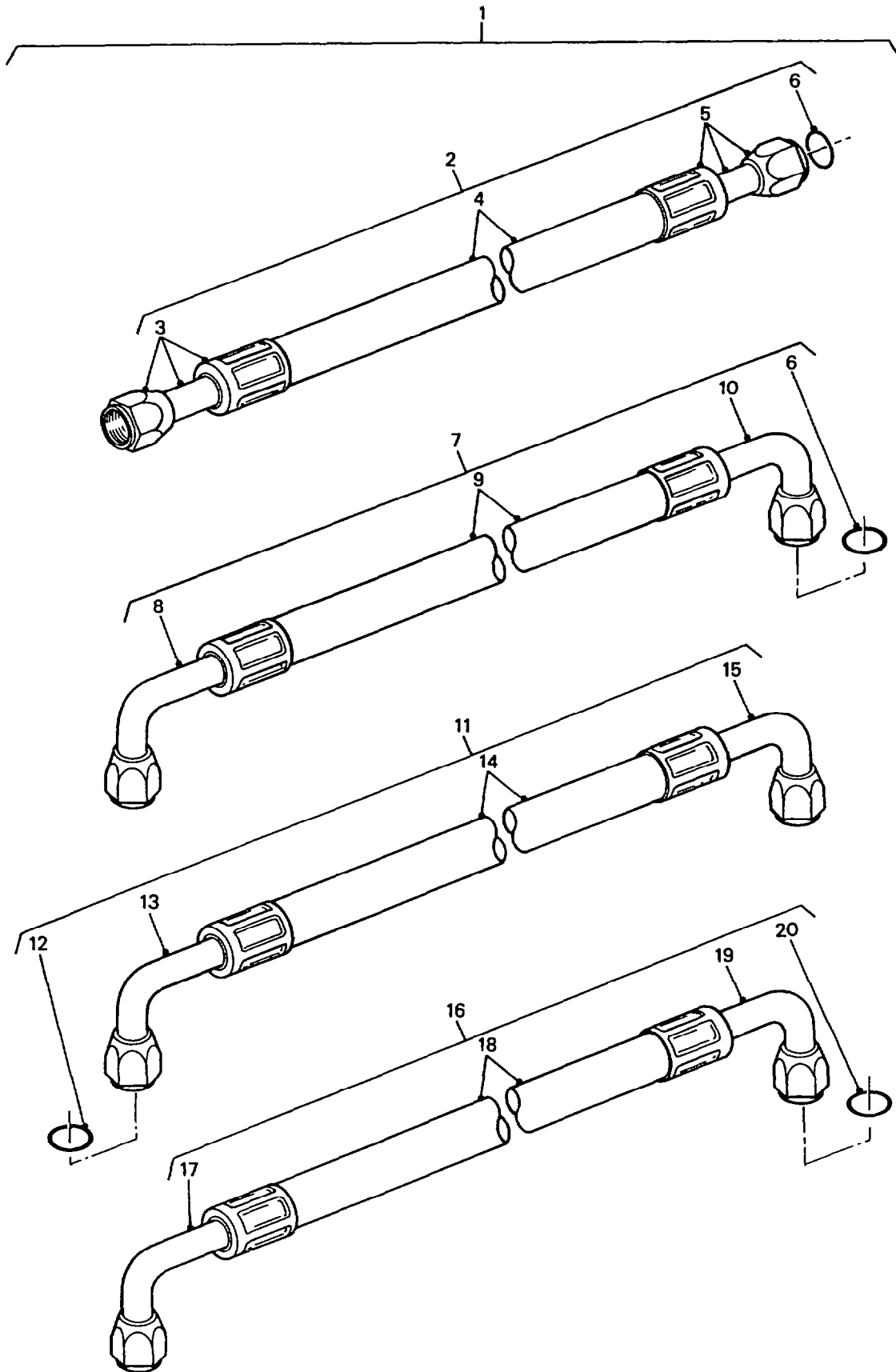
www.remlr.com

GROUP WVC

TITLE AIR CONDITIONER HOSES AND FITTINGS

ITEM NO	DESIGNATION	NSN MANUFACTURER CODE/PART NO SUPPLIER CODE/PART NO	NO	U	E	L*
			OFF	O	X	M*
			I	P	H	
010	FITTING, HOSE, NO. 6, 5/8 IN. THD. DIA., 18 TPI, 90 DEG. ELBOW (USE WVC 007)	/NIL /NIL	1			
011	HOSE ASSEMBLY, NONMETALLIC C, AIR CONDITIONER, COMPRESSOR TO CONDENSER, 13/32 IN. ID, 7/8 IN. OD, 102-1/2 IN. O.A LG, 3/4 IN. UNF INT THD ELBOW SWIVEL NUT FITTING BOTH ENDS (INCLUDES WVC 012 TO WVC 015, ALSO PART OF WVC 001)	4720 66-128-6086 Z5141/20-6068 Z5394/HYM218	1	EA	X	MH
012	PACKING, PREFORMED O-RING, 7/16 IN. ID 9/16 IN. OD, RUBBER (ALSO PART OF WVC 011)	5330 66-128-6087 Z5141/20-3109 Z5394/HYL9258	1	EA	X	MH
013	FITTING, HOSE, NO. 8, 3/4 IN. THD. DIA., 16 TPI, 90 DEG. ELBOW. (USE WVC 011)	/NIL /NIL	1			
014	HOSE, AIR CONDITIONER, NO. 8, 10 MM I.D. 98-1/2 IN. LG. (USE WVC 011)	/NIL /NIL	1			
015	FITTING, HOSE, NO. 8, 3/4 IN. THD. DIA., 16 TPI, 90 DEG. ELBOW, FLARED. (USE WVC 011)	/NIL /NIL	1			
016	HOSE ASSEMBLY, NONMETALLIC RUBBER, 1/2 IN. ID, 1 IN. OD, 65 IN. LG, W/ 0.875 IN. UNF INT THD SWIVEL NUT FLARE BOTH ENDS (INCLUDES WVC 017 TO WVC 20, ALSO PART OF WVC 001)	4720 66-128-6088 Z5141/20-7074 Z5394/HYM219	1	EA	X	MH
017	FITTING, HOSE, NO. 10, 7/8 IN. THD. DIA., 14 TPI, 90 DEG. ELBOW FLARED. (USE WVC 001)	/NIL /NIL	1			
018	HOSE, AIR CONDITIONER, NO. 10, 12 MM I.D., 61-1/8 IN. LG. (USE WVC 016)	/NIL /NIL	1			

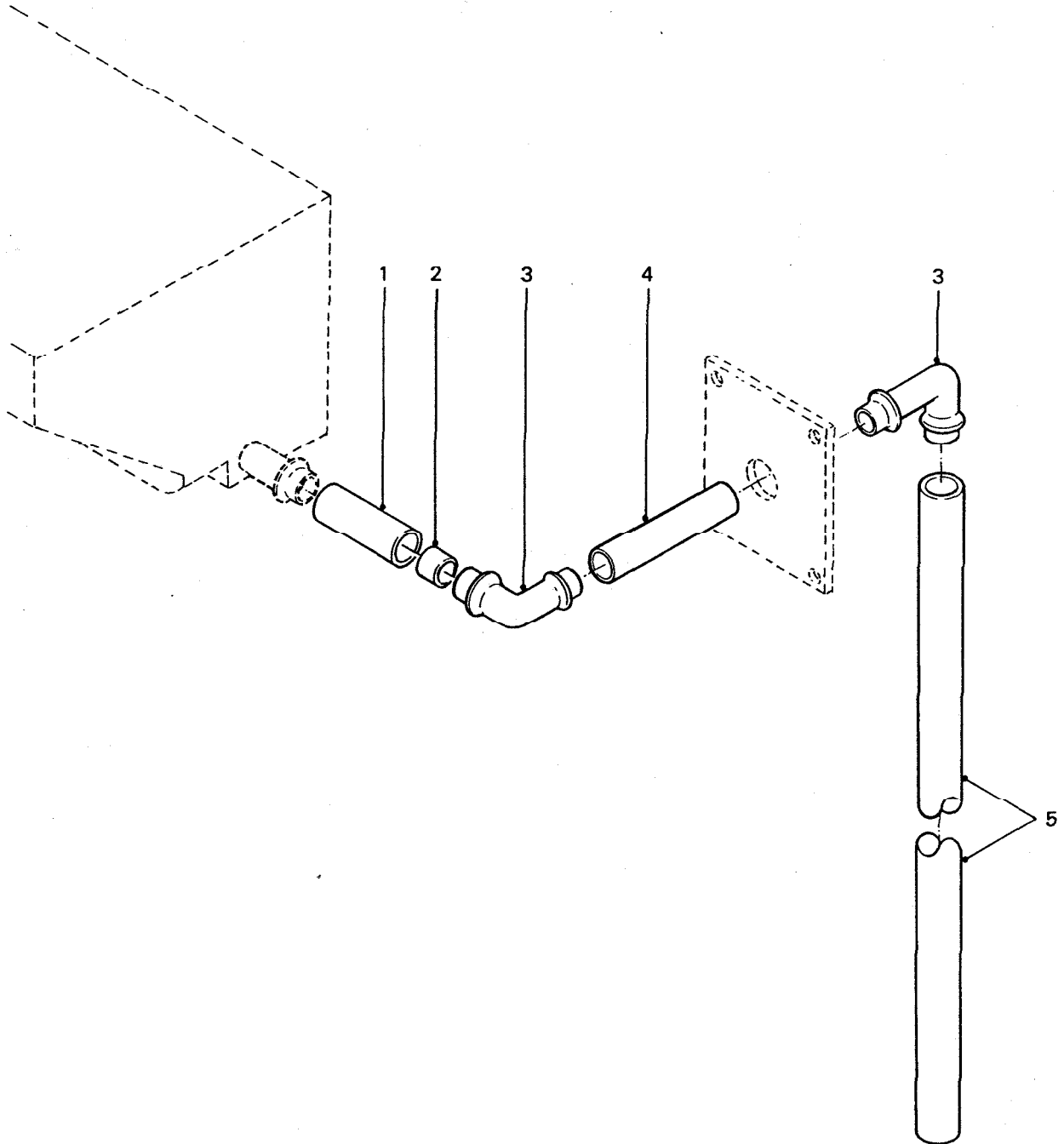
* GRADE OF REPAIR (LIGHT MEDIUM OR HEAVY)



GROUP WVC
TITLE AIR CONDITIONER HOSES AND FITTINGS

ITEM NO	DESIGNATION	NSN		NO OFF	U O	E X	L* M*
		MANUFACTURER CODE/PART NO	SUPPLIER CODE/PART NO				
019	FITTING, HOSE, NO. 10, 7/8 IN. THD. DIA., 14 TPI, 90 DEG ELBOW. (USE WVC 016)	/NIL	/NIL	1			
020	PACKING, PREFORMED O-RING, 9/16 IN. ID, 11/16 IN. OD, RUBBER (ALSO PART OF WVC 016)	5330 66-128-6089 Z5141/20-3209 Z5394/HYL9267		1	EA	X	MH

* GRADE OF REPAIR (LIGHT MEDIUM OR HEAVY)



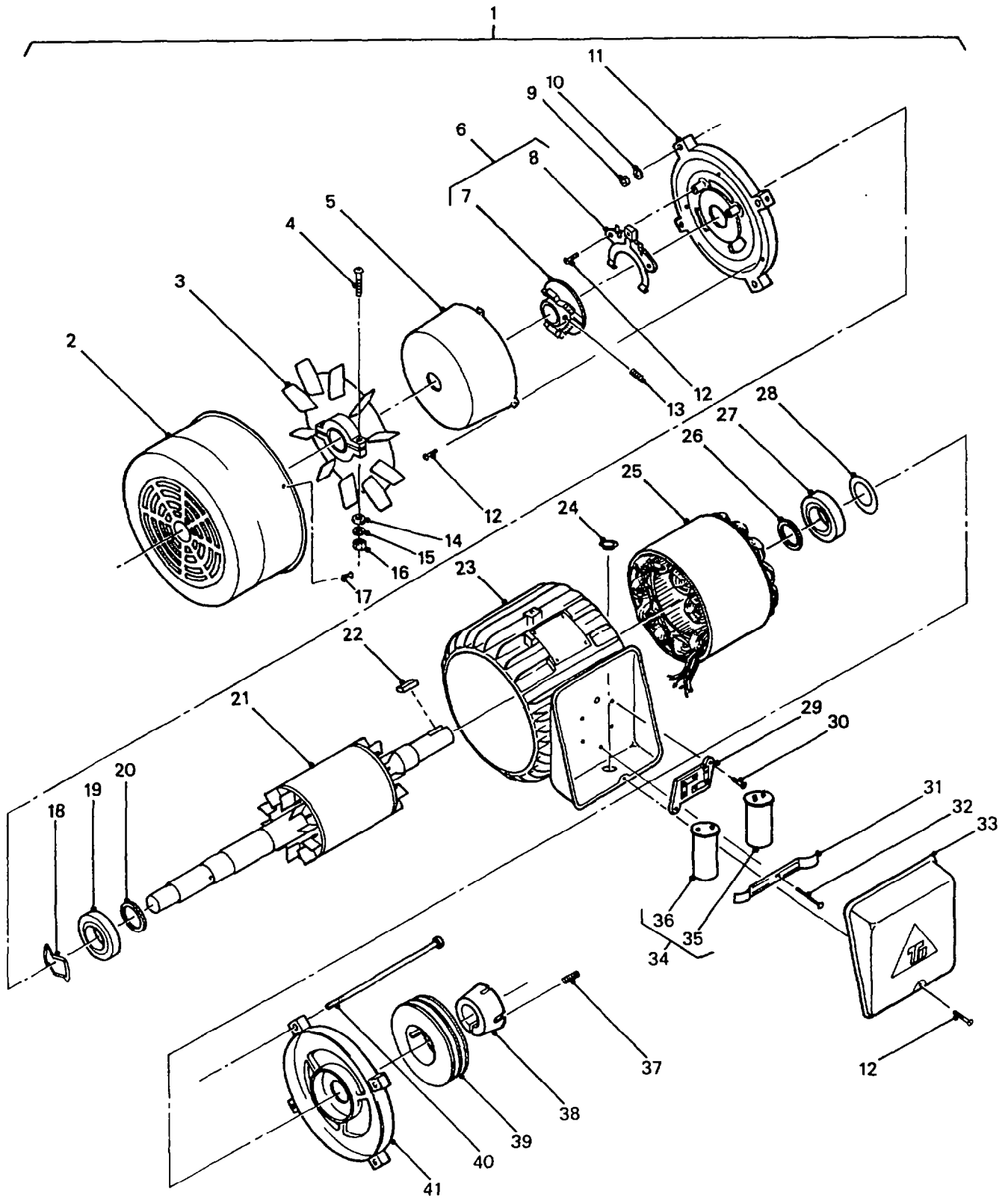
**AIR CONDITIONER DRAIN
HOSES AND FITTINGS**

GROUP WVCA

TITLE AIR CONDITIONER DRAIN HOSES AND FITTINGS

ITEM NO	DESIGNATION	NSN MANUFACTURER CODE/PART NO SUPPLIER CODE/PART NO	NO OFF	U O I	E X P	L* M* H*
001	HOSE, PLASTIC, BLACK, 13 MM I.D., 15 MM O.D., 55 MM LG. (MANUFACTURE FROM WVCA 901)	/NIL /NIL	1			
002	HOSE, 10 MM I.D., 25 MM LG. (MANUFACTURE FROM WVCA 902)	/NIL /NIL	1			
003	ELBOW, 90 DEG, PLASTIC, 8 MM O.D.	Z1864/CATE38 Z5394/HYL9313	2			
004	HOSE, PLASTIC, BLACK, 10 MM I.D., 12 MM O.D., 150 MM LG. (MANUFACTURE FROM WVCA 902)	/NIL /NIL	1			
005	HOSE, SYNTHETIC RUBBER, BLACK, 10 MM I.D., 12 MM O.D., 1650 MM LG. (MANUFACTURE FROM WVCA 902)	/NIL /NIL	1			
901	HOSE, PLASTIC, BLACK, 13 MM I.D., 25 M BULK LG. (USE AS REQUIRED)	ZF732/1445 ZF732/1445	1			
902	HOSE, PLASTIC, BLACK, 10 MM I.D., 12 MM O.D., 100 M BULK LG., AS2698-1. (USE AS REQUIRED)	ZF732/30PE ZF732/30PE	1			

* GRADE OF REPAIR (LIGHT MEDIUM OR HEAVY)



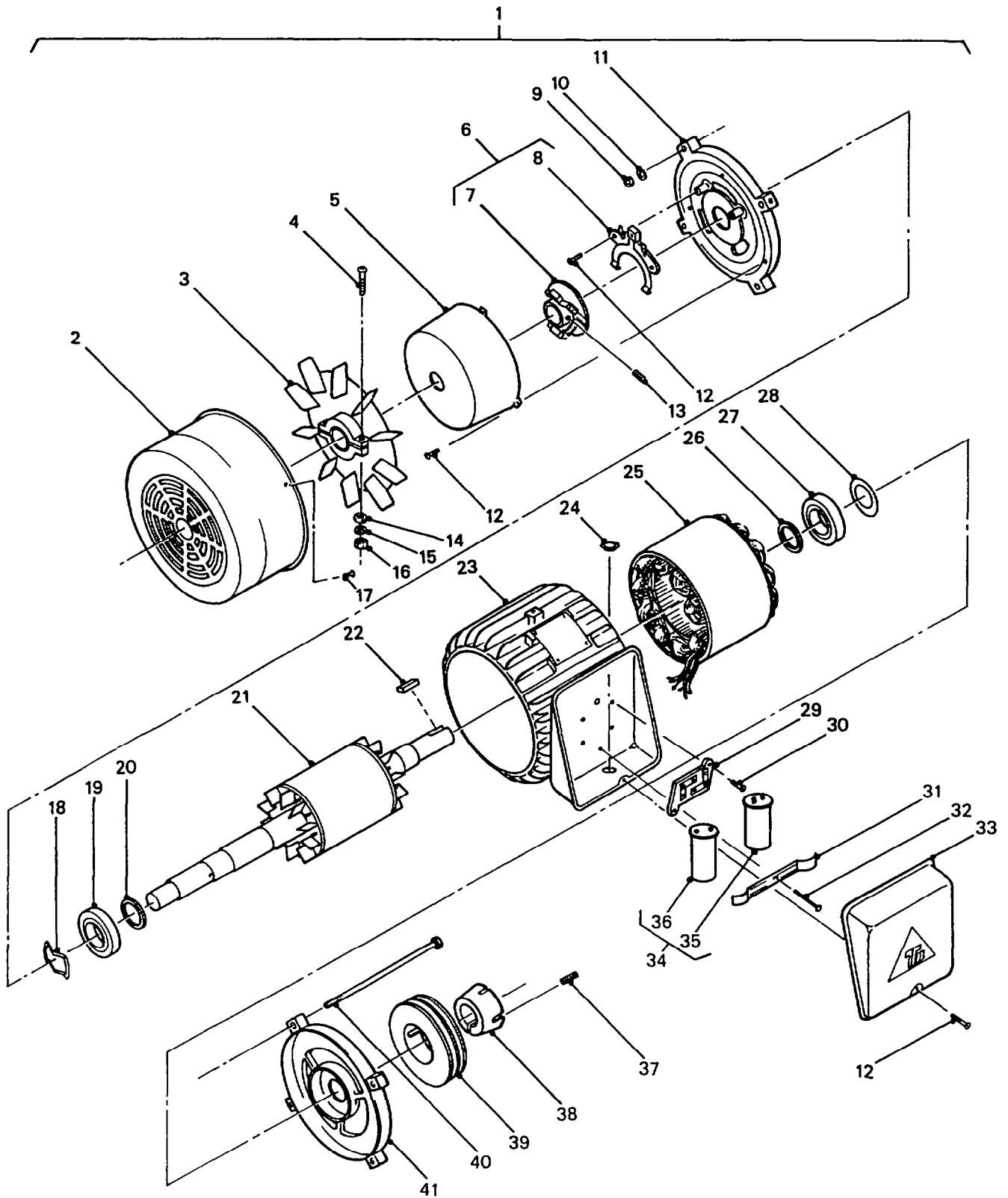
**AIR CONDITIONER DRIVE
MOTOR ASSEMBLY**

GROUP WVD
TITLE AIR CONDITIONER DRIVE MOTOR ASSEMBLY

ITEM NO	DESIGNATION	NSN MANUFACTURER CODE/PART NO SUPPLIER CODE/PART NO	NO OFF	U O	E X	L* M*
				I	P	H*
001	MOTOR ASSEMBLY, DRIVE, AIR CONDITIONER, 240 VOLT, 2.2 KW. (INCLUDES WVD 002 TO WVD 041)	ZV053/15-2420 Z5394/HYM190	1			
002	COWL, FAN. (USE WVD 001)	/NIL /NIL	1			
003	FAN, 23 MM I.D., 205 MM O.D. (ALSO PART OF WVD 001)	ZV053/31400D039 Z5394/HYM191	1			
004	SCREW, FAN TO SHAFT, 5 MM DIA., 25 MM LG., ZINC PLATED.	U1030/SE105251 Z5394/SE105251	2			
005	COVER, CENTRIFUGAL SWITCH. (USE WVD 001)	/NIL /NIL	1			
006	SWITCH ASSEMBLY, CENTRIFUGAL. (INCLUDES WVD 007 AND WVD 008, ALSO PART OF WVD 001)	ZV053/TS2RB2S24 Z5394/HYM192	1			
007	MECHANISM, CENTRIFUGAL SWITCH. (USE WVD 006)	/NIL /NIL	1			
008	STIRRUP, SWITCH MOUNTING. (USE WVD 006)	/NIL /NIL	1			
009	NUT, PLAIN, HEXAGON, ISO METRIC, 6H, GRADE 8, STEEL, CAD PLATED AND PASSIVATED, 8 MM DIA., 13 MM W. A/F, 6.50 MM H. O/A	U1030/FN108041 Z5394/FN108041	4			
010	WASHER, LOCK, SPRING, STEEL, ZINC PLATED, 8 MM I.D., 14.8 5 MM O.D., 2 MM THK.	U1030/WL108001 Z5394/WL108001	4			
011	PLATE, END, MOTOR. (USE WVD 001)	/NIL /NIL	1			
012	SCREW, RECESSED PAN HD., 4 MM DIA., 8 MM LG., ZINC PLATED.	U1030/SE104081 Z5394/SE104081	5			

ISSUE NO: 1 REPAIR PARTS SCALE : 02222 PAGE NO: 175

* GRADE OF REPAIR (LIGHT MEDIUM OR HEAVY)



**AIR CONDITIONER DRIVE
MOTOR ASSEMBLY**

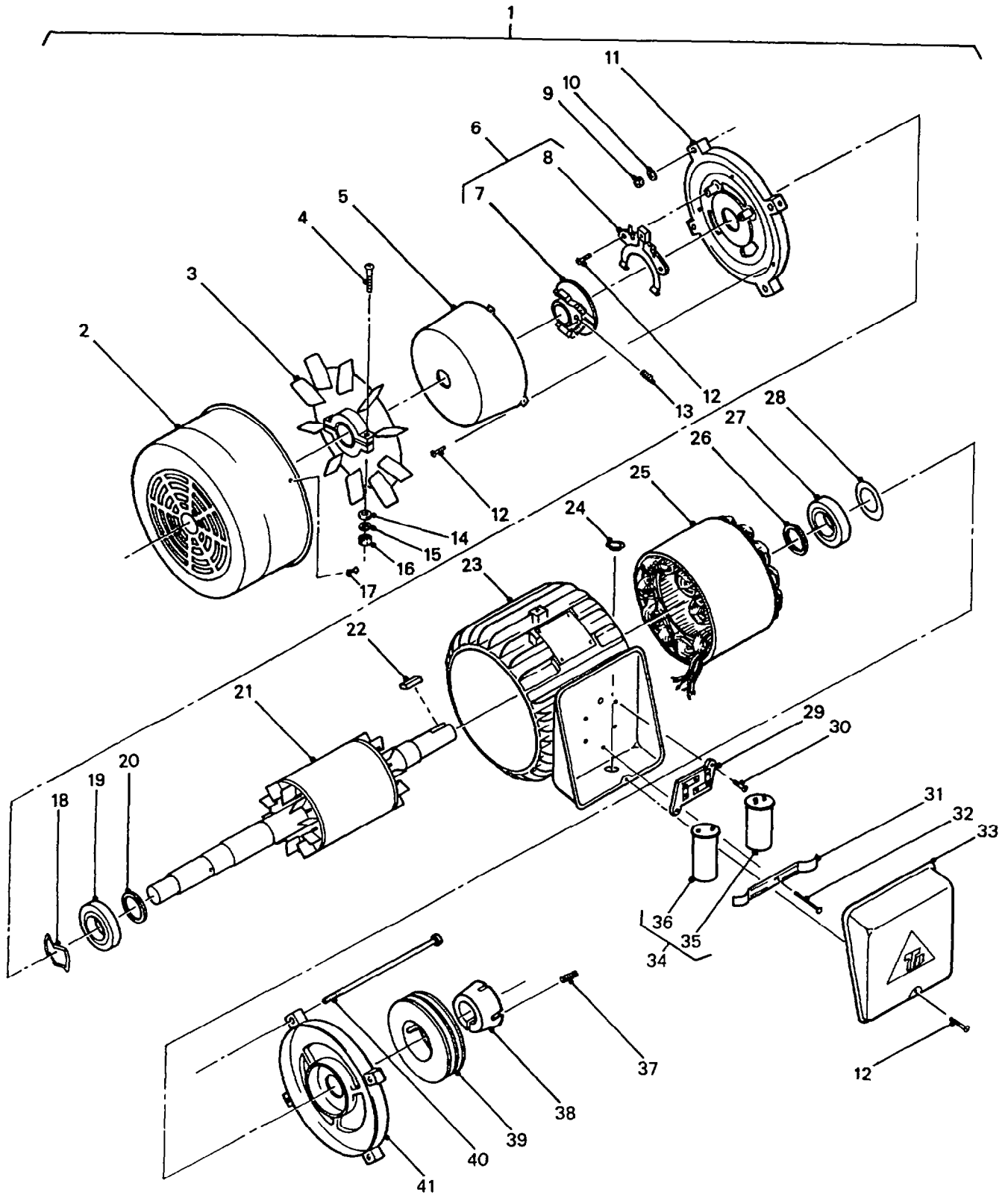
GROUP WVD

TITLE AIR CONDITIONER DRIVE MOTOR ASSEMBLY

ITEM NO	DESIGNATION	NSN MANUFACTURER CODE/PART NO SUPPLIER CODE/PART NO	NO	U	E	L*
			OFF	O	X	M*
			I	P	H	
013	SCREW, GRUB, 5 MM DIA.	/NIL /NIL	1			
014	WASHER, FLAT, RD., STEEL, CAD PLATED AND PASSIVATED, 5 MM, 10 MM O.D., 1.10 MM THK.	Z5394/WA105001 Z5394/WA105001	2			
015	WASHER, LOCK, SPRING TENSION, 5 MM I.D., ZINC PLATED	U1030/WL105001 Z5394/WL105001	2			
016	NUT, PLAIN, HEXAGON, ISO METRIC, 6H GRADE 8, STEEL, CAD PLATED AND PASSIVATED, 5 MM DIA., 8 MM W. A/F, 4 MM H. O/A	Z5394/NH105041 Z5394/NH105041	2			
017	RIVET, 5 MM DIA.	/NIL /NIL	4			
018	CLIP, PRESSURE.	/NIL /NIL	1			
019	BEARING. (ALSO PART OF WVD 001)	S4062/6305ZZ Z5394/HYM193	1			
020	SPACER. (USE WVD 001)	/NIL /NIL	1			
021	ARMATURE. (USE WVD 001)	/NIL /NIL	1			
022	KEY, 18 MM BY 18 MM BY 40 MM LG., STEEL.	/NIL /NIL	1			
023	HOUSING, MOTOR. (USE WVD 001)	/NIL /NIL	1			
024	GROMMET, 19 MM I.D., 25 MM O.D., 8 MM THK., RUBBER.	/NIL /NIL	1			
025	WINDINGS. (USE WVD 001)	/NIL /NIL	1			

ISSUE NO: 1 REPAIR PARTS SCALE : 02222 PAGE NO: 176

* GRADE OF REPAIR (LIGHT MEDIUM OR HEAVY)



**AIR CONDITIONER DRIVE
MOTOR ASSEMBLY**

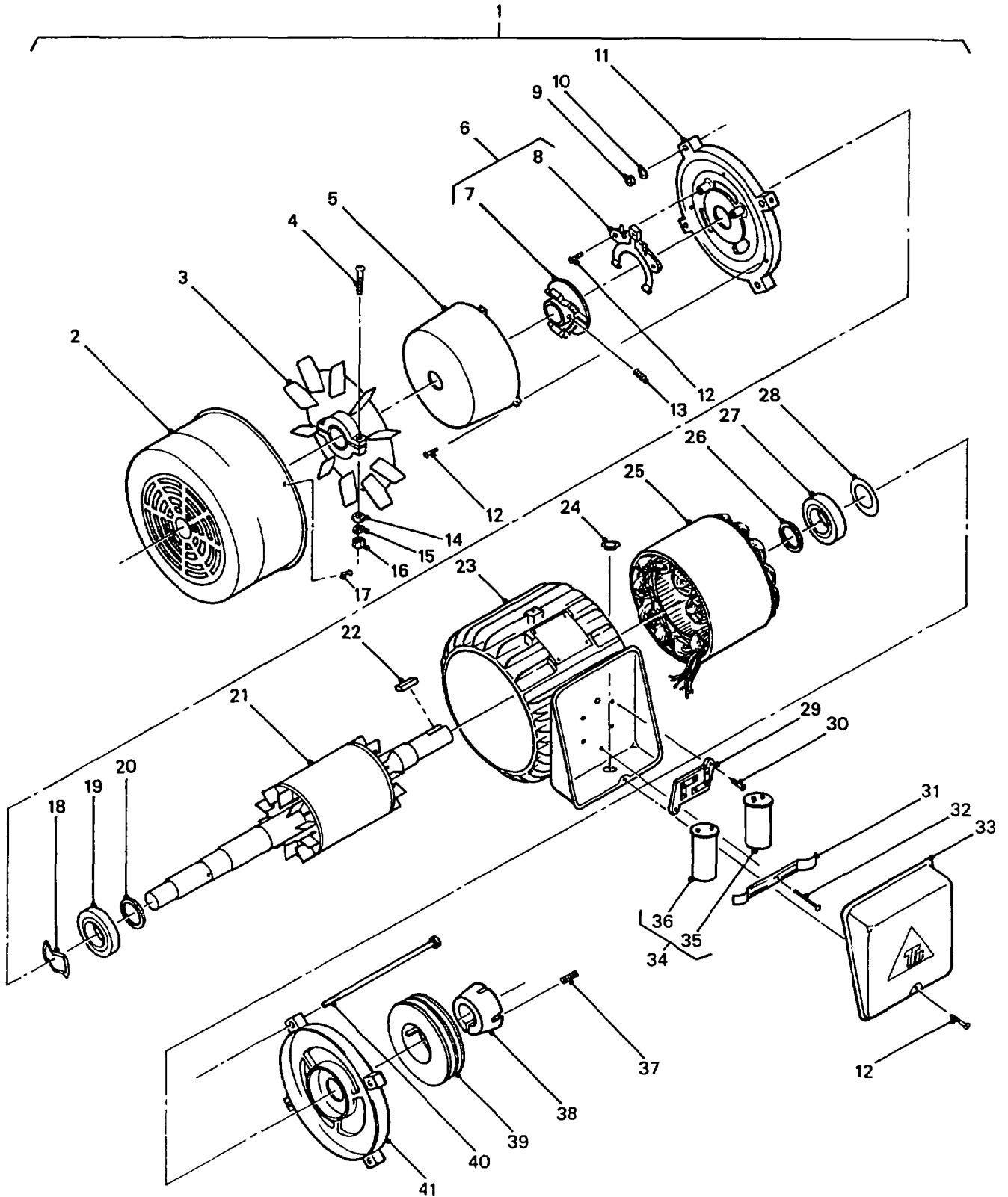
GROUP WVD

TITLE AIR CONDITIONER DRIVE MOTOR ASSEMBLY

ITEM NO	DESIGNATION	NSN MANUFACTURER CODE/PART NO SUPPLIER CODE/PART NO	NO OFF	U O I	E X P	L* M* H*
026	SPACER. (USE WVD 001)	/NIL /NIL	1			
027	BEARING. (ALSO PART OF WVD 001)	S4062/6206ZZ Z5394/HYM194	1			
028	WASHER, FIBRE.	/NIL /NIL	1			
029	BLOCK, TERMINAL. (USE WVD 001)	/NIL /NIL	1			
030	SCREW, MACHINE, ISO METRIC, STEEL, PAN HD., ZINC COATED, 6 MM BY 25 MM LG. BY 25 MM LG.	U1030/SE106251 Z5394/SE106251	2			
031	CLIP, CAPACITOR, MOUNTING. (USE WVD 001)	/NIL /NIL	2			
032	SCREW, RECESSED PAN HD., 6 MM DIA., 50 MM LG., ZINC PLATED.	U1030/SE106501 Z5394/SE106501	1			
033	PLATE, COVER, CAPACITOR HOUSING. (USE WVD 001)	/NIL /NIL	1			
034	KIT, CAPACITOR, START AND RUN (INCLUDES WVD 035 AND WVD 036)	ZV053/09-4011 Z5394/HYM196	1			
035	CAPACITOR, RUN, 200 UF, 250 VOLTS, A.C. (USE WVD 034)	/NIL /NIL	1			
036	CAPACITOR, START, 20 UF., 440 VOLTS, A.C. (USE WVD 034)	/NIL /NIL	1			
037	SCREW, GRUB, HEX. SOCKET, 3/8 IN. DIA., 5/8 IN. LG., UNC., STEEL.	/NIL /NIL	1			
038	CENTRE, TAPER LOCK PULLEY. (USE WVD 001)	/NIL /NIL	1			

ISSUE NO: 1 REPAIR PARTS SCALE : 02222 PAGE NO: 177

* GRADE OF REPAIR (LIGHT MEDIUM OR HEAVY)

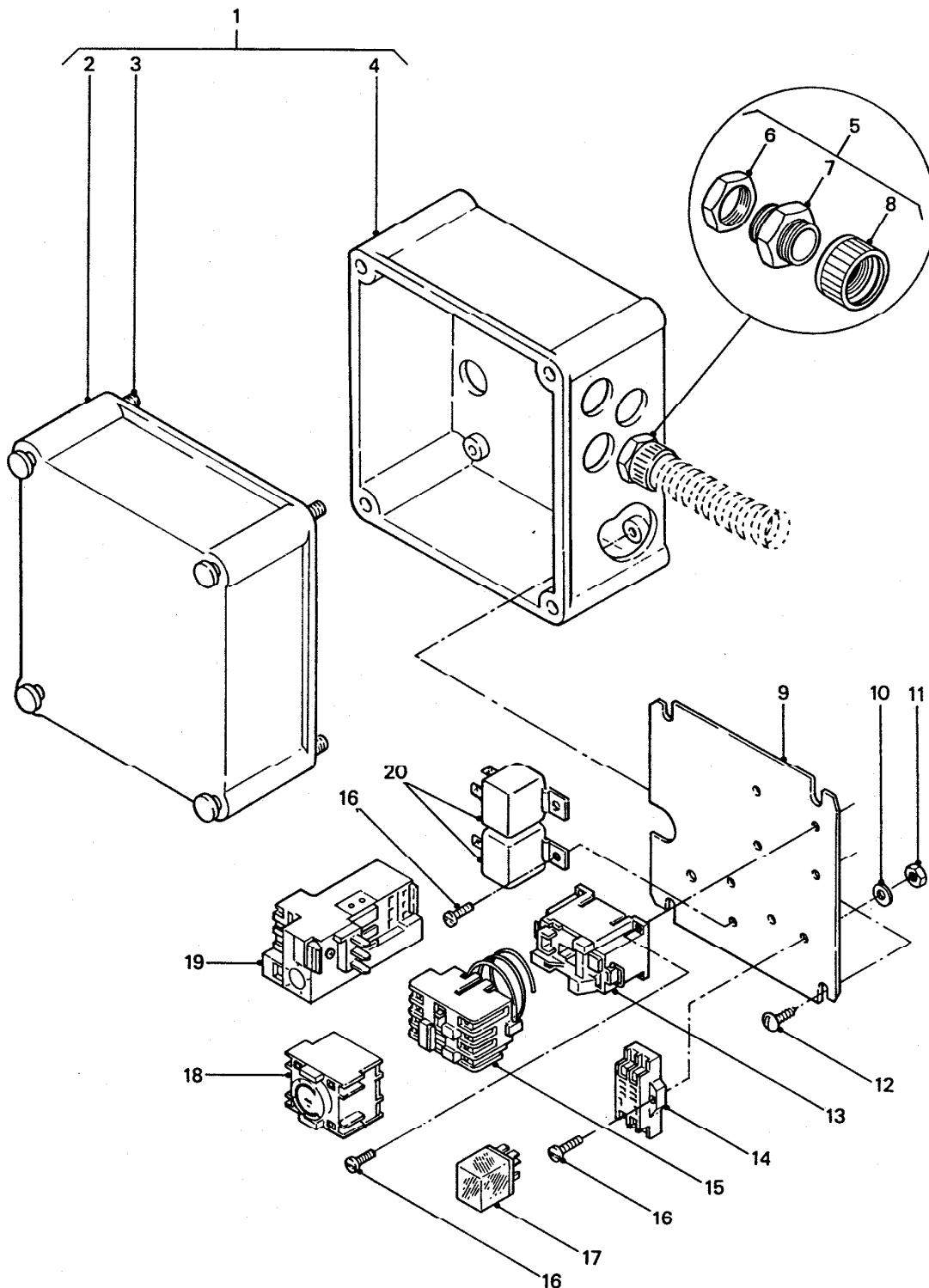


**AIR CONDITIONER DRIVE
MOTOR ASSEMBLY**

GROUP WVD
TITLE AIR CONDITIONER DRIVE MOTOR ASSEMBLY

ITEM NO	DESIGNATION	NSN		NO OFF	U O I	E X P	L* M* H*
		MANUFACTURER CODE/PART NO	SUPPLIER CODE/PART NO				
039	PULLEY, TAPER LOCK. (USE WVD 001)	/NIL	/NIL	1			
040	BOLT, MOTOR HOUSING, 8 MM DIA., 250 MM LG., STEEL. (USE WVD 001)	/NIL	/NIL	4			
041	PLATE, END. (USE WVD 001)	/NIL	/NIL	1			

* GRADE OF REPAIR (LIGHT MEDIUM OR HEAVY)



**AIR CONDITIONER THERMOSTAT
SWITCH AND RELAY BOX**

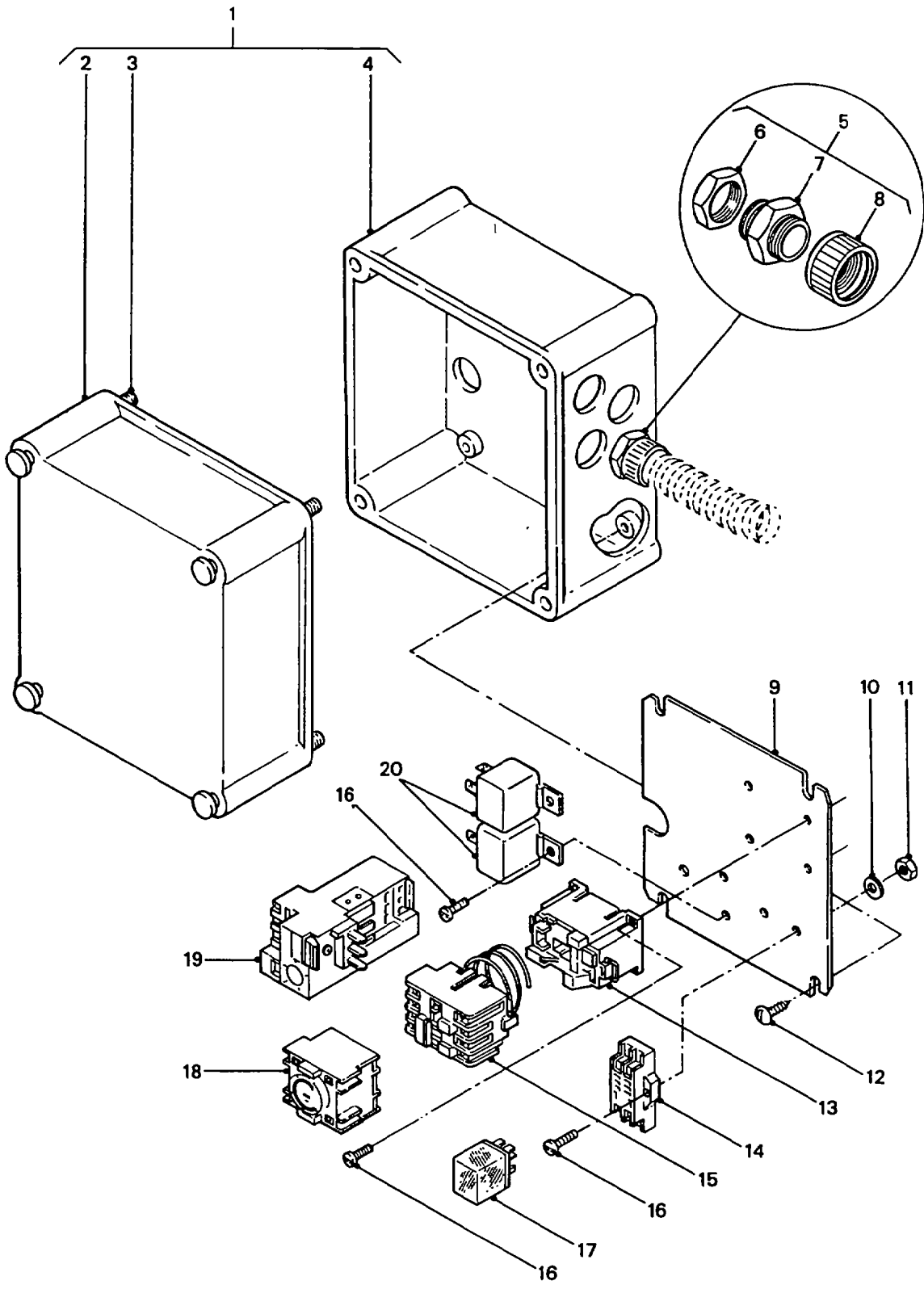
GROUP WVE

TITLE AIR CONDITIONER THERMOSTAT SWITCH AND RELAY BOX

ITEM NO	DESIGNATION	NSN MANUFACTURER CODE/PART NO SUPPLIER CODE/PART NO	NO	U	E	L*
			OFF	O	X	M*
			I	P	H	H*
001	BOX ASSEMBLY, AIR CONDITIONER THERMOSTAT SWITCH AND RELAY, 190 MM LG., 190 MM W., 180 MM H., POLYCARBONATE. (INCLUDES WVE 002 TO WVE 004)	Z0435/HATD Z5394/HYM151	1			
002	LID, CLEAR, POLYCARBONATE. (ALSO PART OF WVE 001)	Z0435/HZKD Z5394/HYM152	1			
003	SCREW, LID, SLOTTED, PLASTIC SPECIAL. (ALSO PART OF WVE 001)	Z0435/MB10563 Z5394/HYM153	4			
004	BASE, GREY, POLYCARBONATE. (USE WVE 001)	/NIL /NIL	1			
901	PLATE, DIVIDER, 240 VOLT FROM 24 VOLT, 190 MM LG., 140 MM W., 0.9 MM THK., ALUMINIUM.	Z4976/720265 Z5394/HYM233	1			
005	GLAND ASSEMBLY, CORRUGATED CONDUIT, 20 MM, STRAIGHT. (INCLUDES WVE 006 TO WVE 008)	Z0H88/279C20 Z5394/HYM116	3			
006	NUT. (USE WVE 005)	/NIL /NIL	1			
007	BODY. (USE WVE 005)	/NIL /NIL	1			
008	UNION. (USE WVE 005)	/NIL /NIL	1			
902	GLAND, CABLE, 20 MM THD., 5.9 MM TO 12 MM CABLE DIA., STRAIGHT.	Z0H88/282/20 Z5394/HYM118	1			
009	PLATE, BASE, STEEL.	Z0435/HVT Z5394/HYM154	1			
010	WASHER, LOCK, STAR, 5/32 IN. I.D.	ZV053/01-1805 Z5394/HYM155	4			

ISSUE NO: 1 REPAIR PARTS SCALE : 02222 PAGE NO: 179

* GRADE OF REPAIR (LIGHT MEDIUM OR HEAVY)



**AIR CONDITIONER THERMOSTAT
SWITCH AND RELAY BOX**

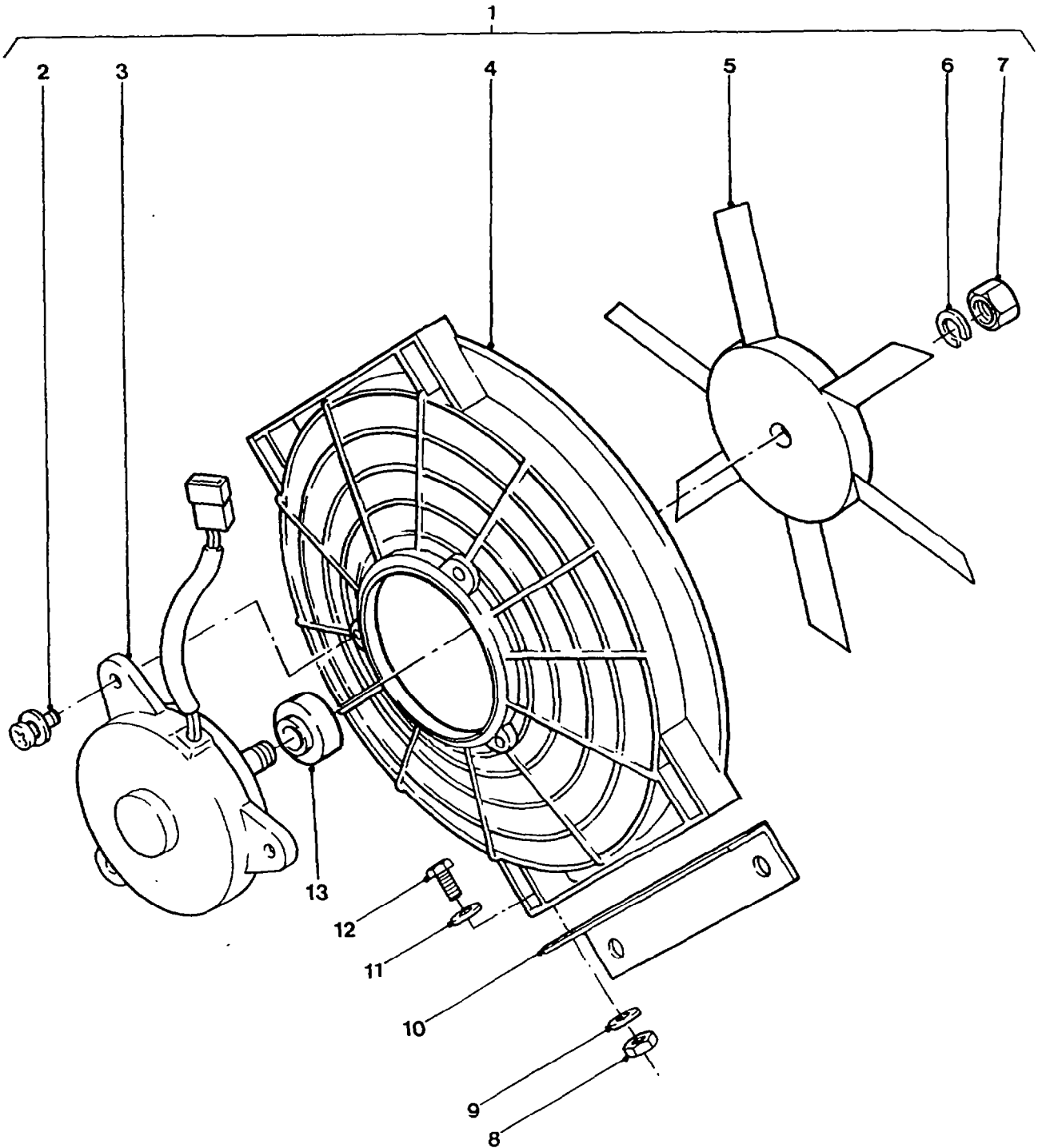
GROUP WVE

TITLE AIR CONDITIONER THERMOSTAT SWITCH AND RELAY BOX

ITEM NO	DESIGNATION	NSN MANUFACTURER CODE/PART NO SUPPLIER CODE/PART NO	NO OFF	U	E	L*
				O	X	M*
				I	P	H*
011	NUT, 5/32 IN. I.D., WHITWORTH THD.	ZV053/01-5205 Z5394/HYM156	4			
012	SCREW, SELF DRILLING, 7 MM DIA., 20 MM LG.	ZOH88/357/20 Z5394/HYM81	4			
013	BASE (USE WVE 015)	/NIL /NIL	1			
014	SOCKET, RELAY MOUNTING.	Z0435/SH2B-05B Z5394/HYM158	1			
015	CONTACTOR. (INCLUDES WVE 013, MODIFY VIDE EMEI VEH. G 257-1)	Z0435/CA3-16C-10 Z5394/BYG9365	1			
016	SCREW, SET, ROUND HD., 5/32 IN. THD. DIA., 1-1/2 IN. LG., WHITWORTH THD	ZV053/01-6256 Z5394/HYM160	4			
017	RELAY, ELECTROMAGNETIC 24 VOLT, 12 AMP, DC	5945 66-128-6068 S4172/RABK-2P Z5394/HYM161	1EA	X		MH
018	SWITCH, PNEUMATIC TIMING HEAD 0-30 SECOND	5930 66-128-6241 Z0435/CZE-30S Z5394/HYM162	1EA	X		MH
019	RELAY, THERMAL OVERLOAD	5945 66-132-4154 S3625/CT3-17 Z5394/HYM163	1EA	X		MH
020	RELAY, ELECTROMAGNETIC 24 VOLT, 20 AMP	5945 66-128-6070 Z0666/0 332 014 203 Z5394/HYM164	2EA	X		MH

ISSUE NO: 1 REPAIR PARTS SCALE : 02222 PAGE NO: 180

* GRADE OF REPAIR (LIGHT MEDIUM OR HEAVY)



**AIR CONDITIONER ELECTRIC FAN
ASSEMBLY**

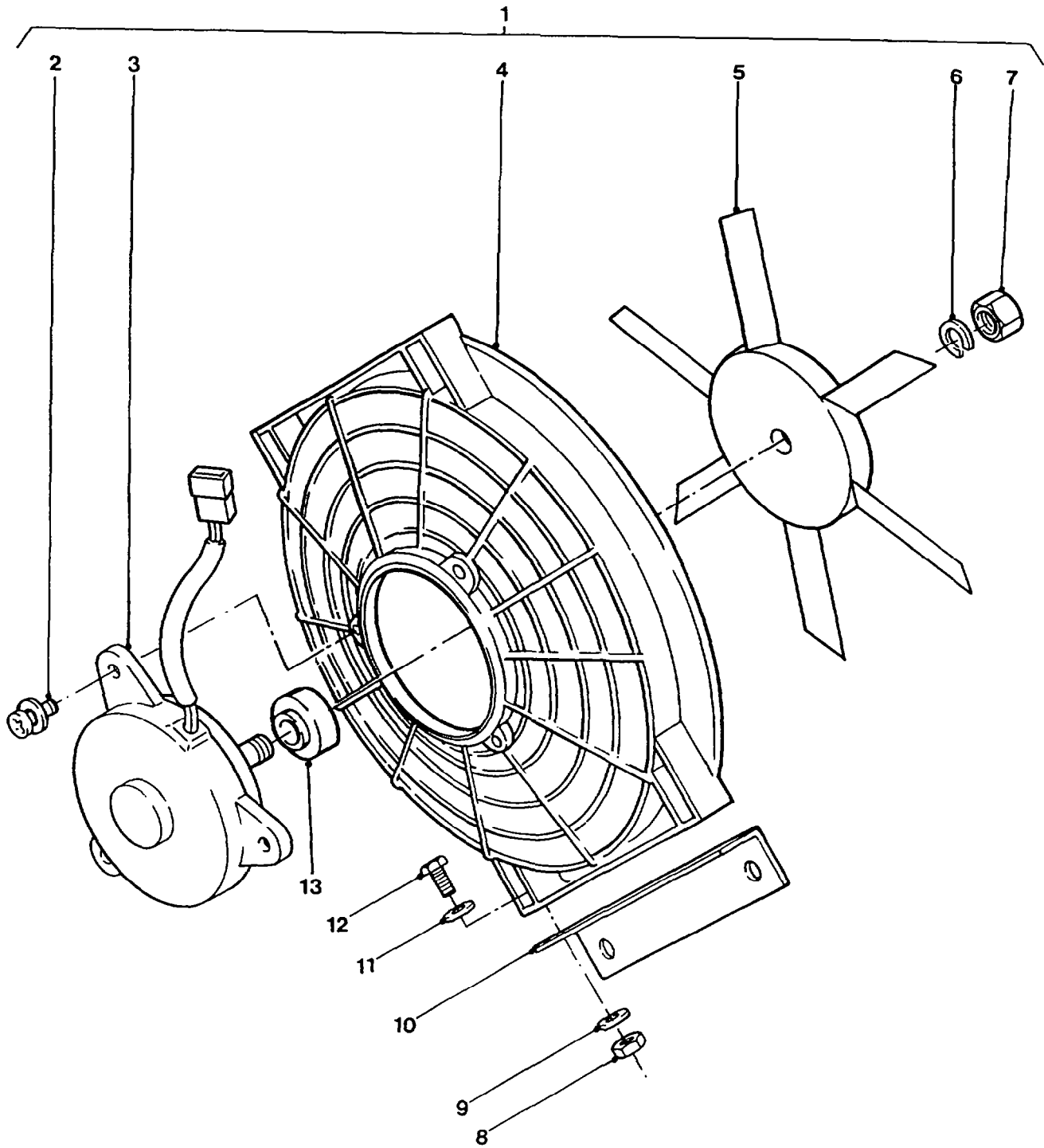
GROUP WVF

TITLE AIR CONDITIONER ELECTRIC FAN ASSEMBLY

ITEM NO	DESIGNATION	NSN MANUFACTURER CODE/PART NO SUPPLIER CODE/PART NO	NO OFF	U I	E P	L* M* H*
001	FAN, VENTILATING R CONDITIONER, 11 IN. DIA, 24 VOLT , CONDENSER AND LOCKER DOOR MOUNTED (INCLUDES WVF 002 TO WVF 007 AND WVF 013)	4140 66-128-6090 Z5141/26-5019 Z5394/HYM0595	3	A	A	MH
002	SCREW, HEX. HEAD, M5, TAPTITE WITH WASHER, 16 TPI, 16 MM LG., 10 GAUGE, SELF DRILLING POINT (ALSO PART OF WVF 001, MODIFY VIDE EMEI VEH. VEH G 257-1)	Z5141/01-7116 Z5394/HYM0603	3			
003	MOTOR, ELECTRIC, AIR CONDITIONER FAN, 24 VOLT. (INCLUDES WVF 006, WVF 007 AND WVF 013, ALSO PART OF WVF 001, MODIFY VIDE EMEI VEH. G 257-1)	Z5141/15-2422 Z5141/15-2422	1			
004	SHROUD, FAN, 11 IN. DIA. (ALSO PART OF WVF 001, MODIFY VIDE EMEI VEH. G 257-1)	Z5141/26-5021 Z5394/HYM0598	1			
005	BLADE, FAN, 11 IN. DIA. (ALSO PART OF WVF 001, MODIFY VIDE EMEI VEH. VEH G 257-1)	Z5141/26-5022 Z5394/HYM0599	1			
006	WASHER, FLAT, M5, ZINC PLATED (ALSO PART OF WVF 001 AND WVF 003, MODIFY VIDE EMEI VEH. G 257-1)	Z5141/01-1103 Z5394/WA105001	1			
007	NUT, NYLOC, M5, STEEL, ZINC PLATED (ALSO PART OF WVF 001 AND WVF 003, MODIFY VIDE EMEI VEH. G 257-1)	Z5141/01-5505 Z5394/NY105041	1			
008	NUT, HEX., 6 MM THREAD DIA., ZINC PLATED	Z5141/01-5106 Z5141/01-5106	8			
009	WASHER, LOCK, 6 MM I.D., ZINC PLATED	Z5141/01-1204 Z5141/01-1204	8			
010	BRACKET, CONDENSER COOLING, FAN MOUNTING, 90 DEG. ANGLE	Z5141/JA-5002 Z5141/JA-5002	4			

ISSUE NO: 1 REPAIR PARTS SCALE : 02222 PAGE NO: 181

* GRADE OF REPAIR (LIGHT MEDIUM OR HEAVY)



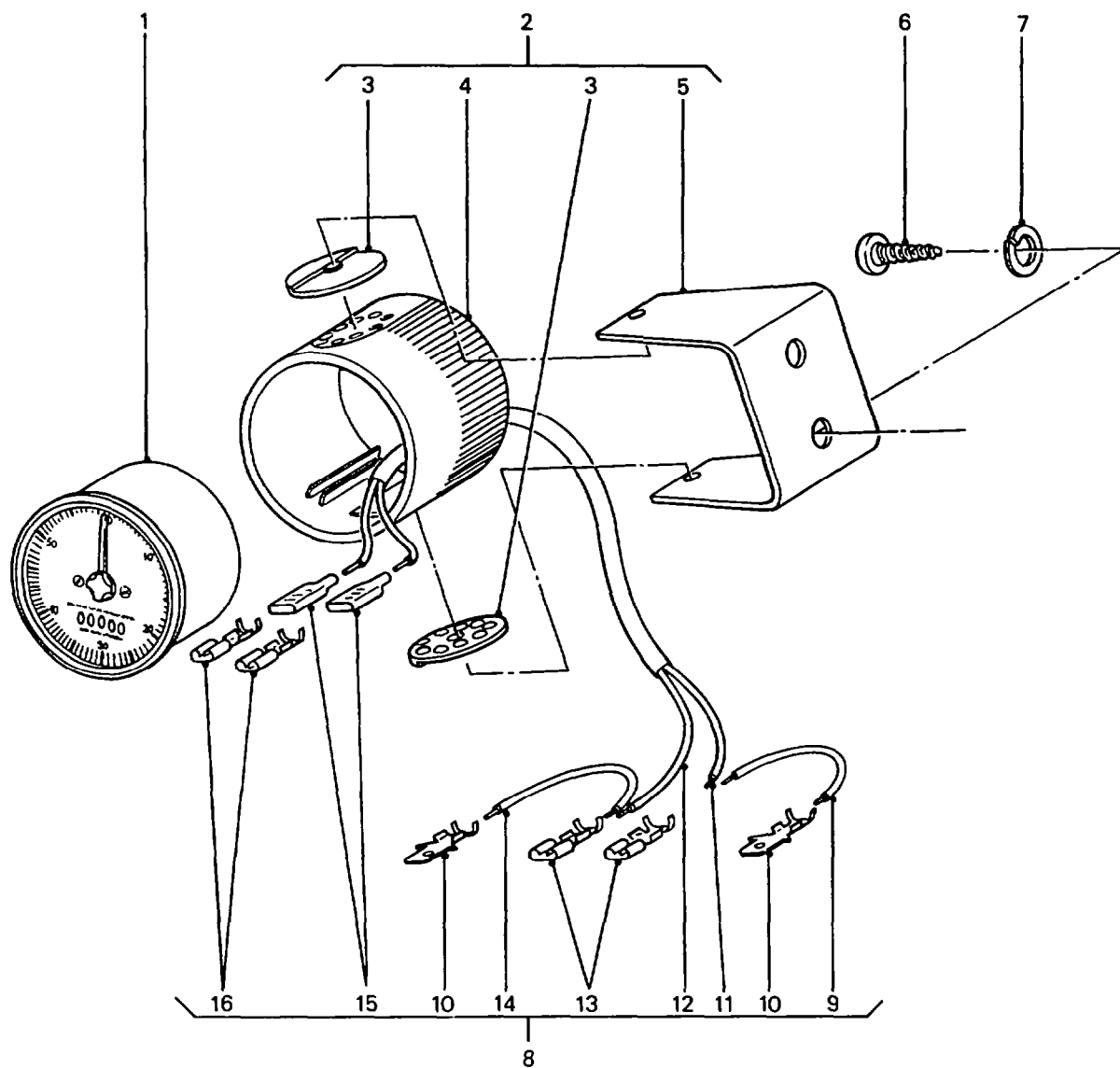
**AIR CONDITIONER ELECTRIC FAN
ASSEMBLY**

GROUP WVF

TITLE AIR CONDITIONER ELECTRIC FAN ASSEMBLY

ITEM NO	DESIGNATION	NSM MANUFACTURER CODE/PART NO SUPPLIER CODE/PART NO	NO OFF	U	E	L*
				O I	X P	M* H*
011	WASHER, FLAT, 6 MM I.D., ZINC PLATED	Z5141/01-1108 Z5141/01-1108	8			
012	SCREW, SET, HEX. HEAD, 6 MM DIA., 20 MM LG., ZINC PLATED	Z5141/01-2120 Z5141/01-2120	8			
901	TIE, CABLE, 100 MM LG., 4 MM W., BLACK, NYLON	Z5141/20-3308 Z5141/20-3308	3			
013	SPACER, FAN, STEPPED, STEEL, 13.85 MM O.D., 7.0 MM I.D., 8.6 MM TOTAL LG., BLACK (ALSO PART OF WVF 001 AND WVF 003, MODIFY VIDE EMEI VEH. G 257-1)	Z5141/26-6005 Z5394/HYM0601	1			

* GRADE OF REPAIR (LIGHT MEDIUM OR HEAVY)

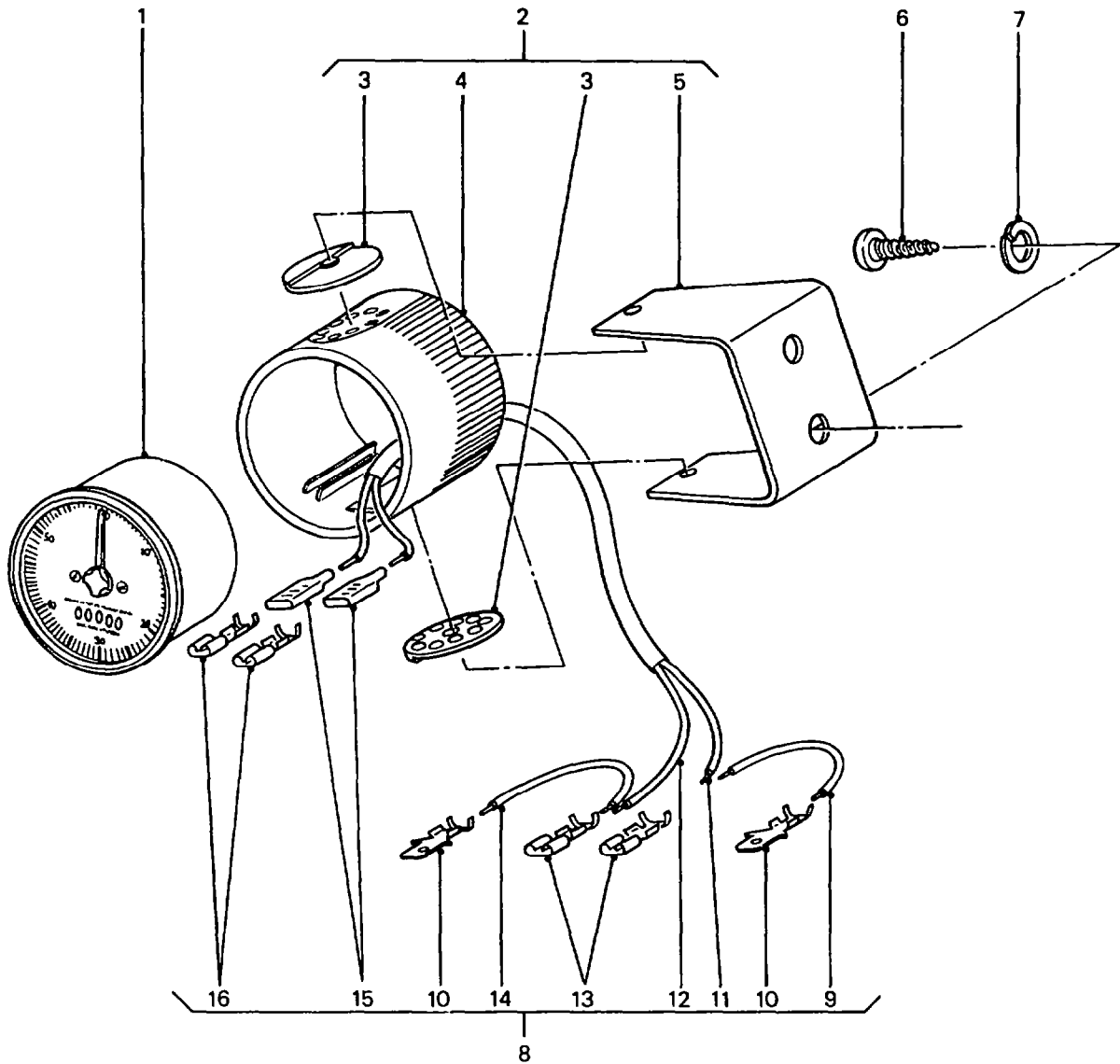


HOURMETER, HARNESS AND MOUNTING A

GROUP WVG
TITLE HOURMETER, HARNESS AND MOUNTING

ITEM NO	DESIGNATION	NSN MANUFACTURER CODE/PART NO SUPPLIER CODE/PART NO	NO OFF	U O I	E X P	L* M* H*
001	METER, TIME TOTALIZING ENGINE HOUR	6645 66-098-2760 Z1315/331-303 Z5394/AYG9755	1	E	A	X LMH
002	HOUSING ASSEMBLY, AIR CONDITIONING HOURMETER (INCLUDES WVG 003 TO WVG 005)	Z1315/230 029 Z5394/BYG9216	1			
003	DISC, MOUNTING AND RATCHET (USE WVG 002)	/NIL /NIL	2			
004	BODY, HOURMETER GAUGE HOUSING, 97 MM LG. (USE WVG 002)	/NIL /NIL	1			
005	BRACKET, MOUNTING, HOURMETER GAUGE HOUSING, 50 MM W., 38 MM D., 2 HOLES 35 MM APART (USE WVG 002)	/NIL /NIL	1			
006	SCREW, MACHINE, RECESSED PAN HEAD, 4 MM METRIC COARSE THREAD, 16 MM LG., BRONZE FINISH, STEEL	Z5394/SE104164 Z5394/SE104164	2			
007	WASHER, LOCK, 4 MM I.D., ZINC PLATED	Z5394/WL104001 Z5394/WL104001	2			
008	HARNESS ASSEMBLY, AIR CONDITIONER HOURMETER (INCLUDES WVG 009 TO WVG 016)	Z5394/BYG9202 Z5394/BYG9202	1			
009	WIRING, EARTH, RELAY TO EVAPORATOR HARNESS, 9/0.3 WIRE SIZE, 50 MM LG., BLACK (USE WVG 008)	/NIL /NIL	1			
010	TERMINAL, MALE, 19.8 MM LG., BRASS, NATURAL FINISH (ALSO PART OF WVG 008)	Z0220/H3794 Z0220/H3794	2			
011	WIRING, EARTH, HOURMETER TO RELAY, 9/0.3 WIRE SIZE, 400 MM LG., BLACK (USE WVG 008)	/NIL /NIL	1			
012	WIRING, POWER, HOURMETER TO RELAY, 9/0.3 WIRE SIZE, 400 MM LG., GREEN (USE WVG 008)	/NIL /NIL	1			

* GRADE OF REPAIR (LIGHT MEDIUM OR HEAVY)

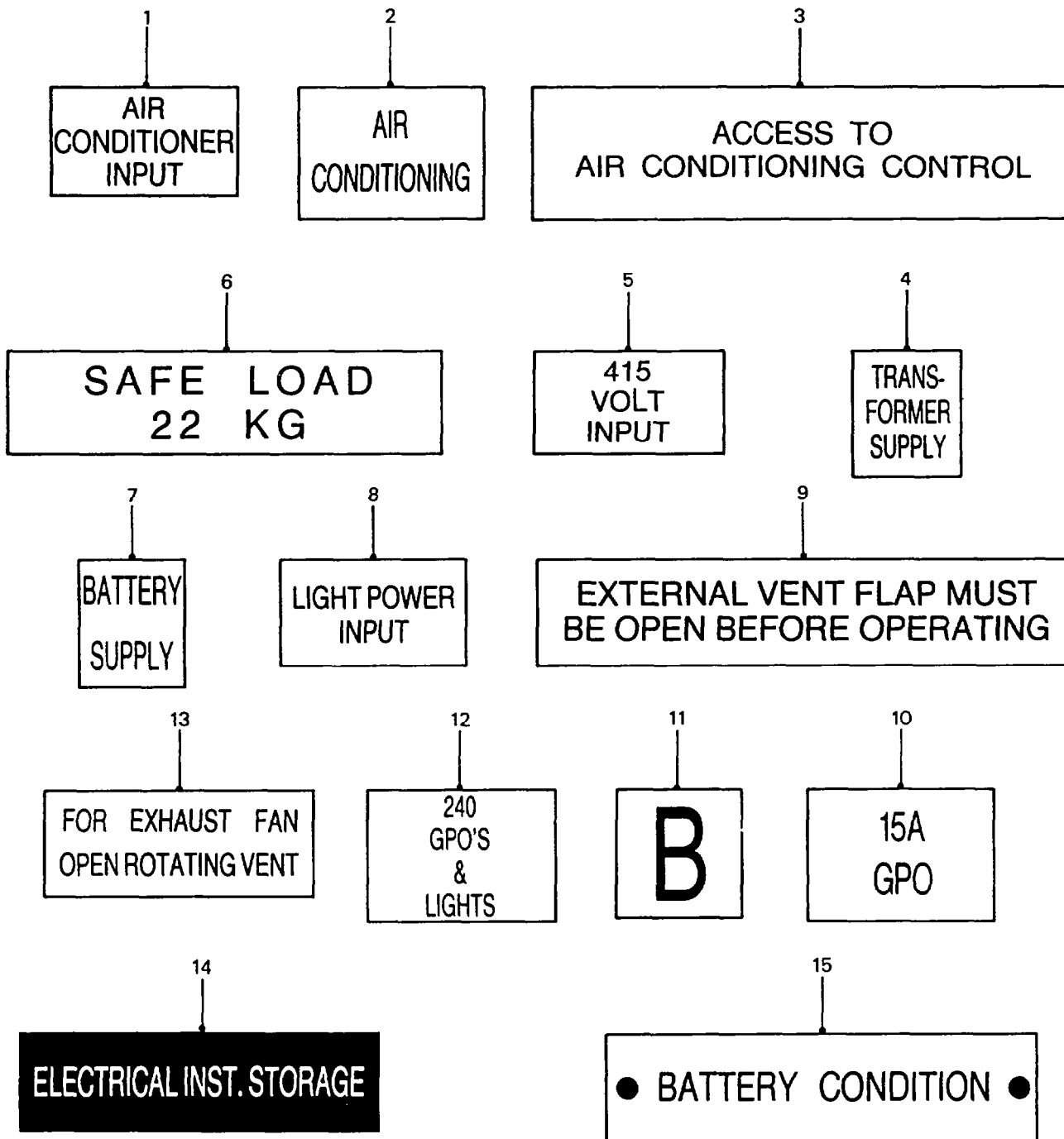


HOURMETER, HARNESS AND MOUNTING A

GROUP WVG
TITLE HOURMETER, HARNESS AND MOUNTING

ITEM NO	DESIGNATION	NSN MANUFACTURER CODE/PART NO SUPPLIER CODE/PART NO	NO OFF	U	E	L*
				O	X	M*
				I	P	H*
013	TERMINAL, FEMALE, 19.8 MM LG., 7.5 MM W., BRASS, NATURAL FINISH (ALSO PART OF WVG 008)	Z0220/H2840 Z0220/H2840	2			
014	WIRING, POWER, RELAY TO EVAPORATOR HARNESS, 9/0.3 WIRE SIZE, 50 MM LG., GREEN (USE WVG 008)	/NIL /NIL	1			
015	INSULATOR, 24.3 MM LG., 9.2 MM W., 5.6 MM H., POLYPROPYLENE, NATURAL FINISH (ALSO PART OF WVG 008)	Z0220/H2804 Z0220/H2804	2			
016	TERMINAL, QUICK DISCONNECT, 20 AMP, 0.766 IN. LG. (ALSO PART OF WVG 008)	Z0220/H1972 Z0220/H1972	2			

* GRADE OF REPAIR (LIGHT MEDIUM OR HEAVY)



**IDENTIFICATION AND INSTRUCTION LABELS -
MODULE**

GROUP WW
TITLE IDENTIFICATION AND INSTRUCTION LABELS - MODULE

ITEM NO	DESIGNATION	NSN MANUFACTURER CODE/PART NO SUPPLIER CODE/PART NO	NO OFF	U	E	L*
				O	X	M*
			I	P	H*	
001	LABEL, AIR CONDITIONER INPUT, BLACK ON WHITE, GRAVOPLAST, 2 MM THK., 35 MM LG., 20 MM W.	Z4976/720238 Z5394/HYM165	1			
002	LABEL, AIR CONDITIONING, BLACK ON WHITE, GRAVOPLAST, 2 MM THK., 35 MM LG., 25 MM W.	Z4976/720239 Z5394/HYM166	1			
003	LABEL, ACCESS TO AIR CONDITIONING CONTROL, BLACK ON WHITE, GRAVOPLAST, 2 MM THK., 100 MM LG., 25 MM W.	Z4976/720270 Z4976/720270	1			
004	LABEL, TRANSFORMER SUPPLY, WHITE ON BLACK, GRAVOPLAST, 2 MM THK., 20 MM LG., 25 MM W.	Z4976/720243 Z5394/HYM168	1			
005	LABEL, 415 V. INPUT, BLACK ON WHITE, GRAVOPLAST, 2 MM THK., 35 MM LG., 20 MM W.	Z4976/720242 Z5394/HYM169	1			
006	LABEL, SAFE LOAD 22 KG., BLACK ON WHITE, GRAVOPLAST, 2 MM THK., 80 MM LG., 20 MM W.	Z4976/720241 Z5394/HYM170	1			
007	LABEL, BATTERY SUPPLY, BLACK ON WHITE, GRAVOPLAST, 2 MM THK., 80 MM LG., 20 MM W.	Z4976/720244 Z5394/HYM171	1			
008	LABEL, LIGHT POWER INPUT, BLACK ON WHITE, GRAVOPLAST, 2 MM THK., 35 MM LG., 20 MM W.	Z4976/720245 Z5394/HYM172	1			
009	LABEL, EXTERNAL VENT FLAP WARNING, BLACK ON WHITE, GRAVOPLAST, 2 MM THK., 100 MM LG., 20 MM W.	Z4976/720246 Z5394/HYM173	1			
010	LABEL, 15 A GPO, BLACK ON WHITE, GRAVOPLAST, 2 MM THK., 35 MM LG., 25 MM W.	Z4976/720250 Z5394/HYM174	1			
011	LABEL, B, BLACK ON WHITE, GRAVOPLAST, 2 MM THK., 25 MM LG., 25 MM W.	Z4976/720249 Z5394/HYM175	1			

* GRADE OF REPAIR (LIGHT MEDIUM OR HEAVY)

16
TO OPERATE AIR CONDITIONER
UNDO TRANSPORT BOLT
AT "A"

17
A

18
A/C
VENT
FLAP

22
EARTH
STUD

21
24V

20
12V

19
EARTH

23
Manufactured by **JAKAB**
INDUSTRIES PTY LTD
Tamworth NSW AUSTRALIA
Type:
No.:
Date of manufacture:
Ph: (067) 65 4155

24
TO OPERATE AIR CONDITIONER
REMOVE TRANSPORT BOLT (A)
IN A/C EXTERNAL LOCKER.
OPEN EXTERNAL VENT FLAP
AT (B).

26
L/H BENCH
10 AMP POWER
POINTS

25
**EMERGENCY EXIT
PUSH OUT**

ITEM NO	DESIGNATION	NSN MANUFACTURER CODE/PART NO SUPPLIER CODE/PART NO	NO OFF	U	E	L*
				O	X	M*
				I	P	H*
012	LABEL, 240 GPO'S AND LIGHTS, BLACK ON WHITE, GRAVOPLAST, 2 MM THK., 35 MM LG., 25 MM W.	Z4976/720248 Z5394/HYM176	1			
013	LABEL, EXHAUST FAN WARNING, BLACK ON WHITE, GRAVOPLAST, 2 MM THK., 50 MM LG., 20 MM W.	Z4976/720247 Z5394/HYM177	1			
014	LABEL, ELECTRICAL INST. STORAGE, WHITE ON RED, GRAVOPLAST, 2 MM THK., 65 MM LG., 18 MM W.	Z4976/720251 Z5394/HYM178	1			
015	LABEL, BATTERY CONDITION, BLACK ON WHITE, GRAVOPLAST, 2 MM THK., 80 MM LG., 20 MM W.	Z4976/720252 Z5394/HYM179	1			
016	LABEL, AIR CONDITIONER TRANSPORT, WHITE ON RED, GRAVOPLAST, 2 MM THK., 75 MM LG., 50 MM W.	Z4976/720253 Z5394/HYM180	1			
017	LABEL, IDENTIFICATION, 'A', WHITE ON RED, GRAVOPLAST, 2 MM THK., 25 MM LG., 25 MM W.	Z4976/720254 Z5394/HYM181	1			
018	LABEL, AIR CONDITIONER VENT FLAP, WHITE ON RED, GRAVOPLAST, 2 MM THK., 20 MM LG., 25 MM W.	Z4976/720255 Z5394/HYM182	1			
019	LABEL, EARTH, BLACK ON WHITE, GRAVOPLAST, 2 MM THK., 25 MM LG., 12 MM W.	Z4976/720259 Z5394/HYM183	1			
020	LABEL, 12V, BLACK ON WHITE, GRAVOPLAST, 2 MM THK., 25 MM LG., 12 MM W.	Z4976/720258 Z5394/HYM184	1			
021	LABEL, 24V, BLACK ON WHITE, GRAVOPLAST, 2 MM THK., 25 MM LG., 12 MM W.	Z4976/720257 Z5394/HYM185	1			
022	LABEL, EARTH STUD, BLACK ON WHITE, GRAVOPLAST, 2 MM THK., 25 MM LG., 25 MM W.	Z4976/720256 Z5394/HYM186	1			
023	PLATE, IDENTIFICATION, MODULE, ALUMINIUM. (USE WW 901 TO SECURE)	Z4976/700470 Z4976/700470	1			

ACCESS TO
TRANSFORMER,
BATTERY CHARGER,
CIRCUIT BOARD

27

SURGE ARRESTOR

28

WARNING
IF DOOR IS LOCKED
FROM INSIDE
OPEN VENTS

29

110 V AC 10 AMP

30

32—PHONE

OV—31

IDENTIFICATION AND INSTRUCTION LABELS

ITEM NO	DESIGNATION	NSN MANUFACTURER CODE/PART NO SUPPLIER CODE/PART NO	NO OFF	U	E	L*
				O	X	M*
				I	P	H*
901	RIVET, POP 3.2 MM DIA., 7 MM LG., ALUMINIUM. (USE TO SECURE WW 024)	Z0549/73AS42 Z0549/73AS42	4			
024	LABEL, AIR CONDITIONER OPERATION, RED ON WHITE, GRAVOPLAST, 2 MM THK., 75 MM LG., 50 MM W. (SECURE WITH WW 901)	Z4976/720260 Z5394/HYM187	1			
025	LABEL, EMERGENCY EXIT, RED ON WHITE, SELF ADHESIVE.	Z4976/720482 Z5394/HYL9602	1			
026	LABEL, POWER POINT IDENTIFICATION, BLACK ON WHITE, GRAVOPLAST, 2 MM THK., 35 MM LG., 25 MM W.	Z4976/720261 Z5394/HYM188	1			
027	LABEL, TRANSFORMER, BATTERY CHARGER AND CIRCUIT BOARD ACCESS, 100 MM LG., 40 MM W., 2 MM THK., GRAVOPLAST, BLACK TEXT ON WHITE BACKGROUND.	Z4976/720271 Z4976/720271	1			
028	LABEL, SURGE ARRESTOR, 90 MM LG., 25 MM W., 2 MM THK., GRAVOPLAST, BLACK TEXT ON WHITE BACKGROUND.	Z4976/720272 Z4976/720272	1			
029	LABLE, VENT DOOR, 100 MM LG., 75 MM W., 2 MM THK., GRAVOPLAST, BLACK TEXT ON WHITE BACKGROUND.	Z4976/720519 Z4976/720519	1			
030	LABEL, POWER OUTLET, 75 MM LG., 12 MM W., 2 MM THK., GRAVOPLAST, WHITE TEXT ON RED BACKGROUND.	Z4976/720273 Z4976/720273	4			
031	LABEL, OV, 25 MM LG., 12 MM W., 2 MM THK., GRAVOPLAST, WHITE TEXT ON RED BACKGROUND.	Z4976/720274 Z4976/720274	1			
032	LABEL, PHONE, 30 MM LG., 12 MM W., 2 MM THK., GRAVOPLAST, WHITE TEXT ON RED BACKGROUND.	Z4976/720519 Z4976/720519	2			

