

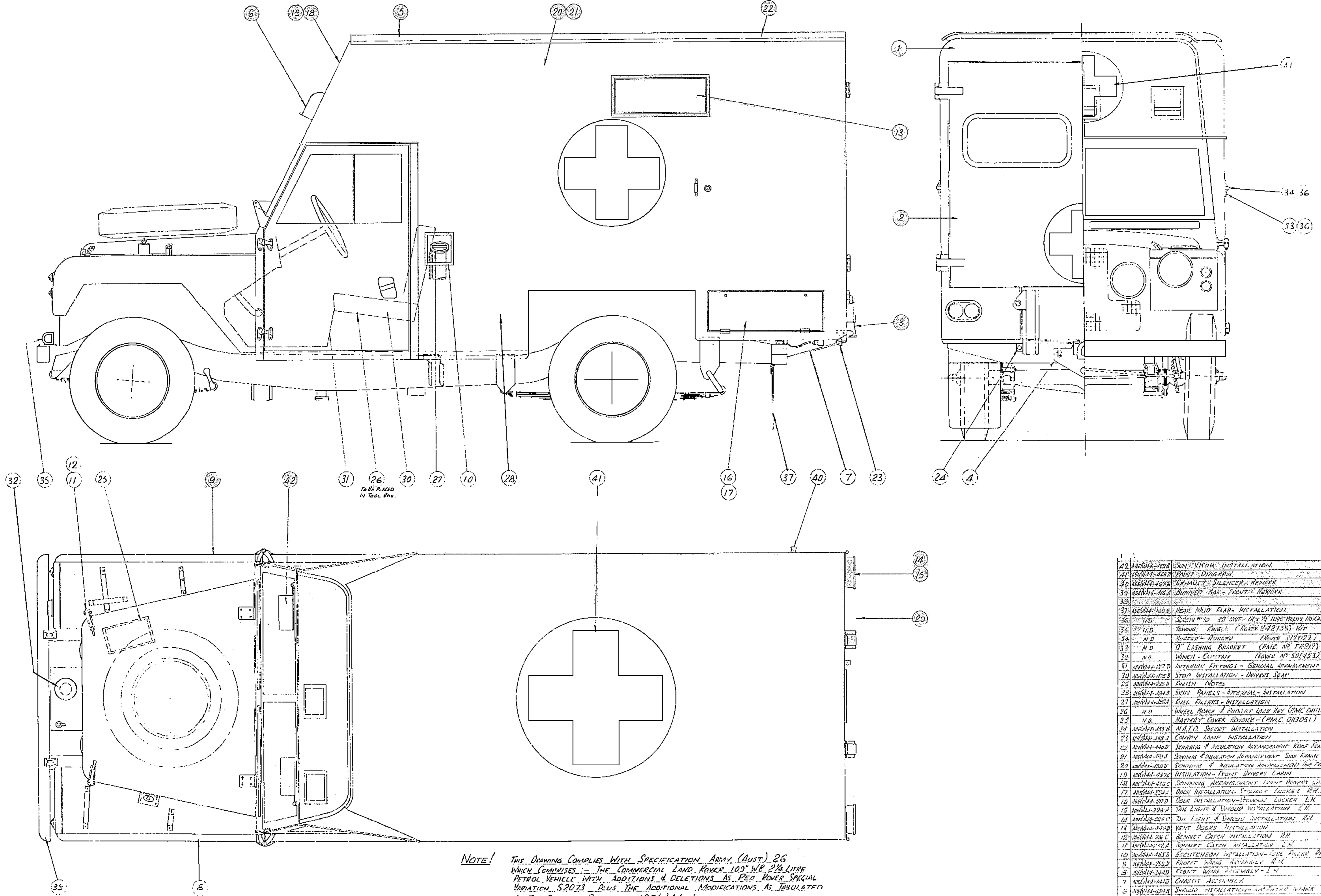
# Registry of Ex Military Land Rovers

Copyright of this document is retained by the original authors. Some parts may have been superseded or changed since that time.

This document has been download from the Registry of Ex Military Land Rovers at <http://www.remlr.com> . All files available from this site are free of charge.

If you have paid for this document please report where you purchased it from to the Registry of Ex Military Land Rovers Inc at [webmaster@remlr.com](mailto:webmaster@remlr.com)





ISSUE NO.	DESCRIPTION	DATE	BY	CHKD	DATE	APPRD	DATE
20	ABE044-406						
21	ABE044-407						
22	ABE044-408						
23	ABE044-409						
24	ABE044-410						
25	ABE044-411						
26	ABE044-412						
27	ABE044-413						
28	ABE044-414						
29	ABE044-415						
30	ABE044-416						
31	ABE044-417						
32	ABE044-418						
33	ABE044-419						
34	ABE044-420						
35	ABE044-421						
36	ABE044-422						
37	ABE044-423						
38	ABE044-424						
39	ABE044-425						
40	ABE044-426						
41	ABE044-427						
42	ABE044-428						

ISSUE A	<b>PRESSED METAL CORP. LTD.</b> COSGROVE ROAD, ENFIELD . . . PHONE: Y8 0281	DRAWN	CHKD	APPRD
DATE		DATE	DATE	DATE
SCALE		SCALE	NEXT ASSY	
DESCRIPTION	TRUCK AMBULANCE 4 STRETCHERS G.S. LAND ROVER SERIES 2 109" W.B.	DRAWING No.	M 445	REV
				AOA