

Registry of Ex Military Land Rovers

Copyright of this document is retained by the original authors. Some parts may have been superseded or changed since that time.

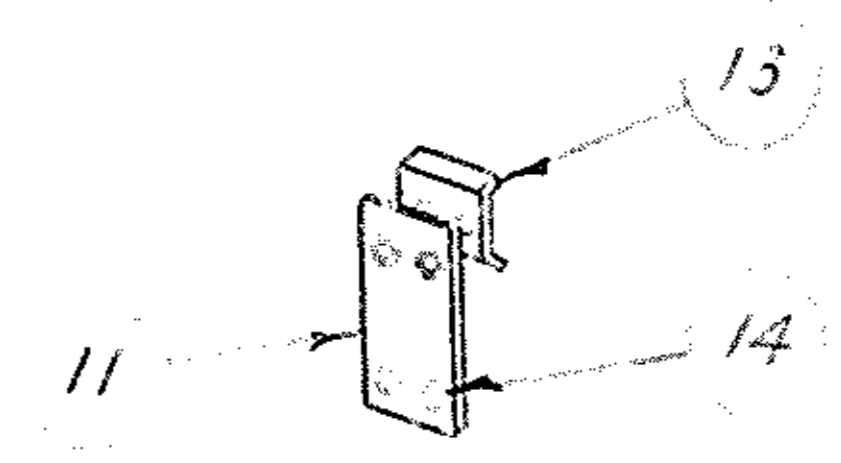
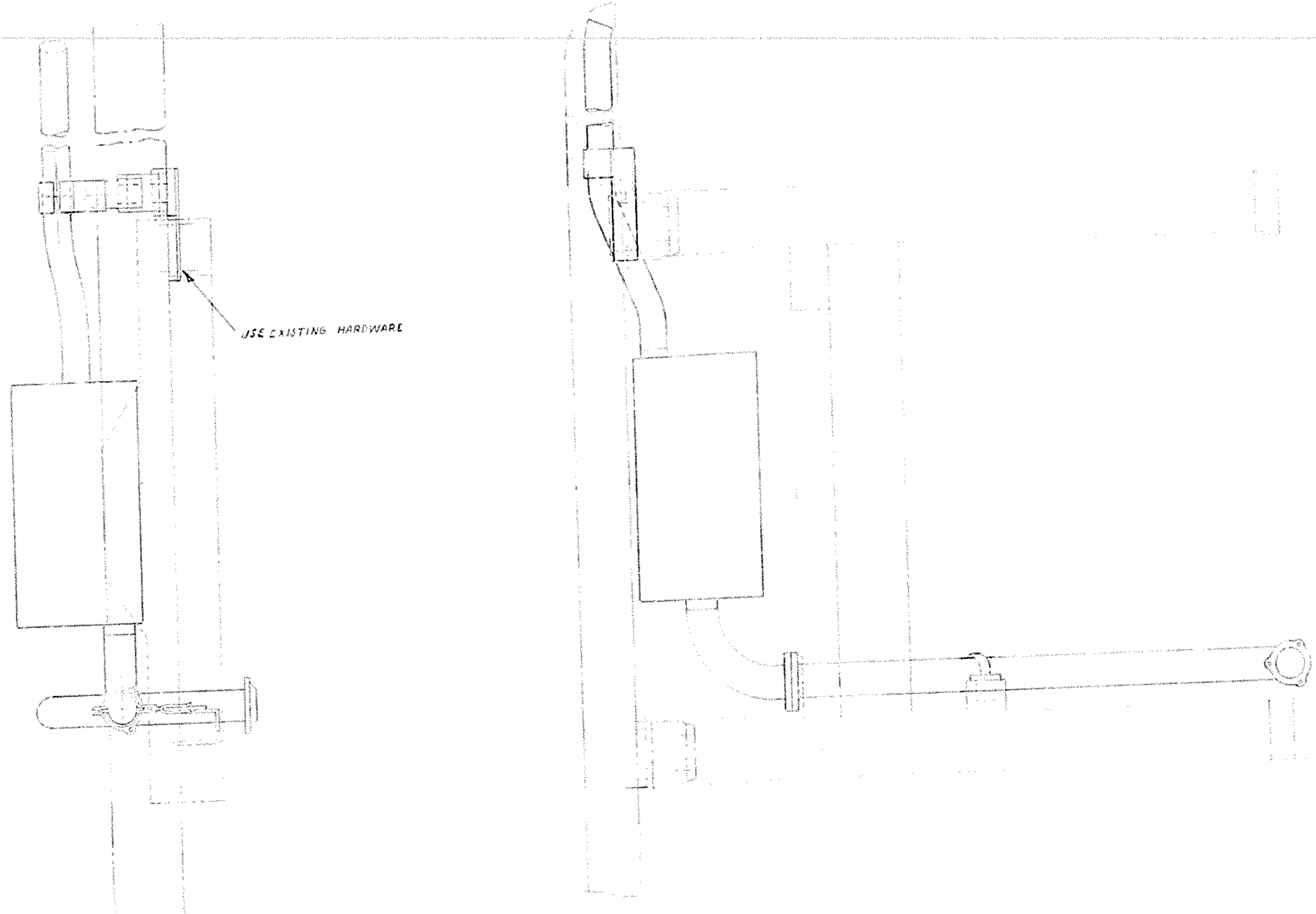
This document has been download from the Registry of Ex Military Land Rovers at <http://www.remlr.com> . All files available from this site are free of charge.

If you have paid for this document please report where you purchased it from to the Registry of Ex Military Land Rovers Inc at webmaster@remlr.com

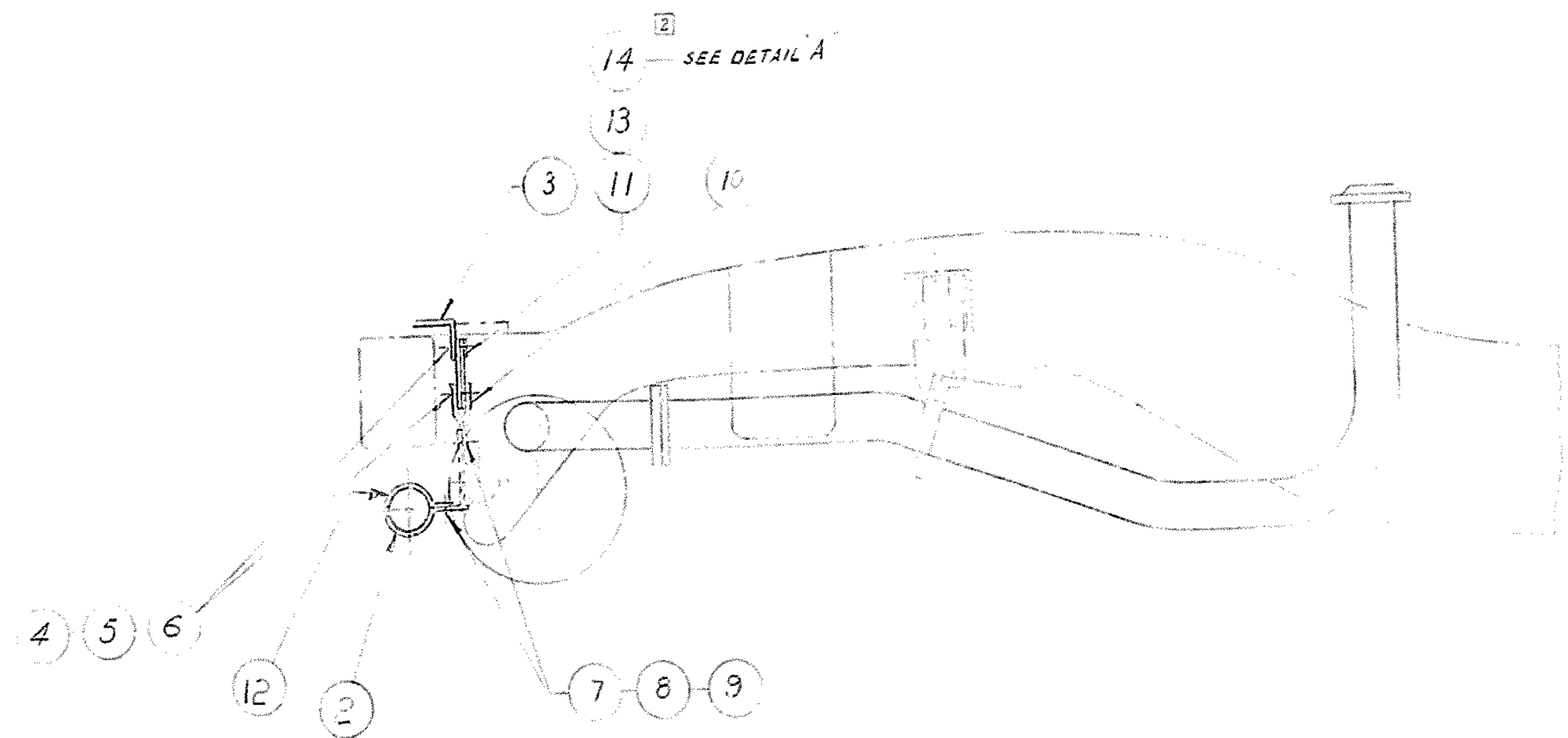


THIRD ANGLE PROJECTION
DO NOT SCALE

DRAWING No. **40E(V)110-3**
USED ON
FFR Long Rover Series 6
TRUCK FIRE FIGHTING 3/4 Ton GS, Fire Engine
TRUCK 1/2 TON GS WRECKER (AC) W/ H/2 C
TRUCK 1/2 TON GS FLANT REPAIR
TRUCK F.A. FORM BODY Long Rover 100 W/6 1/2 Ton GS
(with Engine) (AGE 30) 24 1967



DETAIL A HTS 2



14 - SEE DETAIL A

* THIS ASSEMBLY TO BE READ IN CONJUNCTION WITH
PMC DRG NO 0112004

ITEM	DRAWING OR PART No.	DESCRIPTION	No. SHOWN
2	14	DISTANCE PIECE RIVER PL NO 244003	4
12	12	CLAMP PLATE RIVER PL NO 244003	1
9	12	CLAMP SADDLE	1
11	11	MOUNTING PLATE FLEXIBLE RIVER PL NO 244003	2
10	10	PLATE MOUNTING FLEXIBLE RIVER PL NO 244003	2
9	9	WASHER SPRING 1/4" DIA STEEL C/D PL	2
5	5	NUT HEX 1/2" DIA STEEL C/D PL	2
7	7	BOLT HEX 1/2" DIA STEEL C/D PL	2
6	6	WASHER SPRING 1/4" DIA STEEL C/D PL	1
5	5	NUT HEX 1/2" DIA STEEL C/D PL	1
4	4	BOLT HEX 1/2" DIA STEEL C/D PL	1
3	3	40E(V)110-3 BRACKET	1
2	2	40E(V)110-3 BRACKET	1
1	1	INSTALLATION EXHAUST SYSTEM	1

AUTHORIZED PATTERN FOR PRODUCTION
JTS GARDNER DT RENNIE MAJ
DATE 12 JULY 65 DATE 20 JULY 65
DESIGN APPROVED BY DATE 12 JULY 65 DATE 20 JULY 65

SCALE	SEALD	DESIGN APPROVED	MATERIAL SPECIFICATION & TREATMENT	DATE
3	13 MAY 65	Y. WALSH		12 JUL 65
2	10 SEP 65	J. GARDNER		12 JUL 65
1	22 SEP 65	J. GARDNER		12 JUL 65

ARMY DESIGN ESTABLISHMENT, AUSTRALIAN MILITARY FORCES
DRAWING No. 40E(V)110-3
TRUCK, 1/2 TON LAND ROVER, SERIES 24.

CONTRACTOR'S MATERIAL & FINISH CODE (IF REQUIRED)