

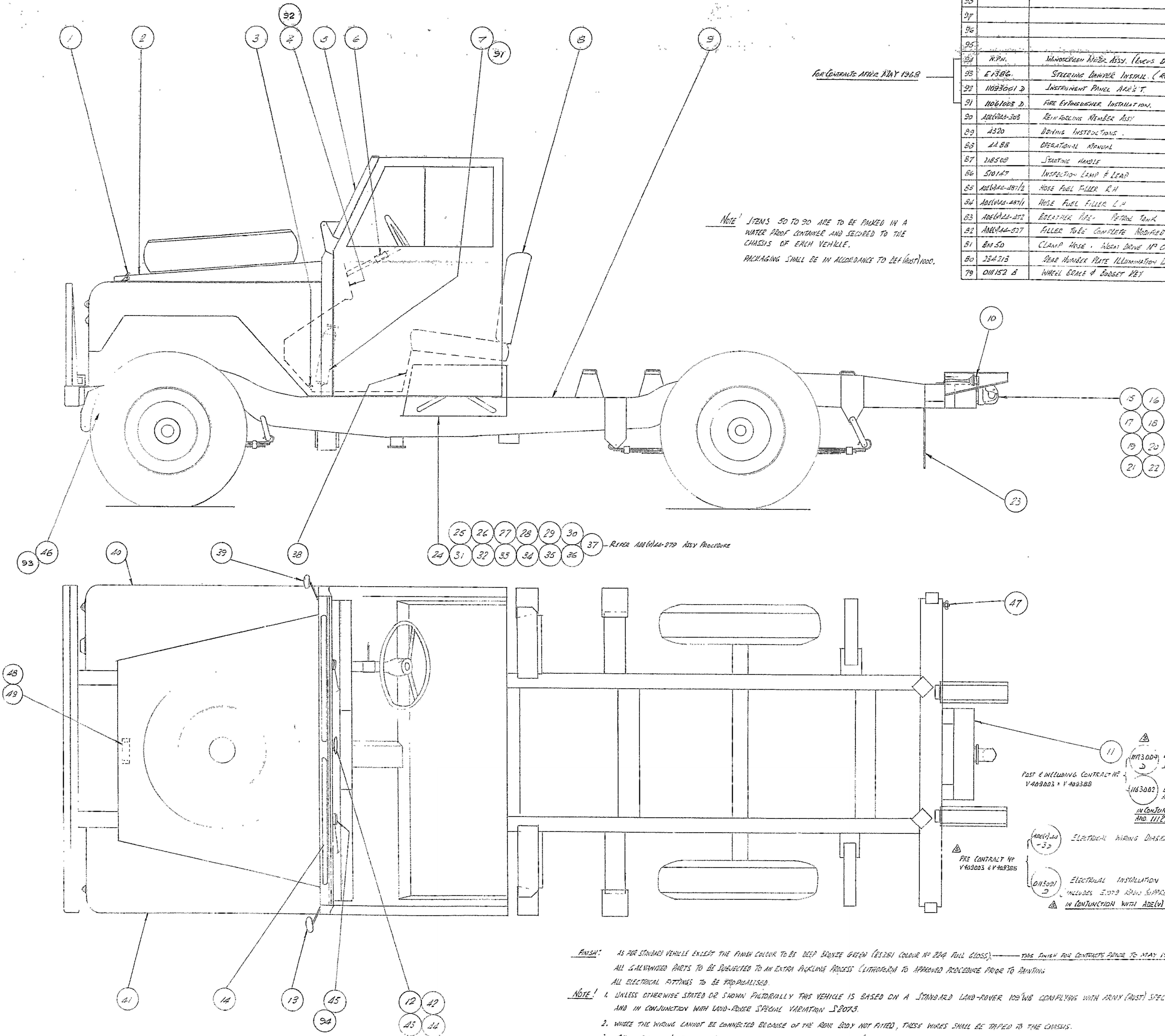
Registry of Ex Military Land Rovers

Copyright of this document is retained by the original authors. Some parts may have been superseded or changed since that time.

This document has been download from the Registry of Ex Military Land Rovers at <http://www.remlr.com> . All files available from this site are free of charge.

If you have paid for this document please report where you purchased it from to the Registry of Ex Military Land Rovers Inc at webmaster@remlr.com





100			78	206B19	BRIDGE SHAW	1
99			77	AM166	"O" LASHING BURT	2
98			76	AE(V)12-200A	SEALING RUBBER	1
97			75	AE(V)12-200A	SEALING RUBBER	1
96			74	AE(V)12-200A	SEALING RUBBER	1
95			73	AE(V)12-200A	SEALING RUBBER	1
94	N.P.N.	WINDSCREEN WIPER ASSY. (Lexus D.R. 34)	72	AE(V)12-175A1	SEALING RUBBER	1
93	E1386	STEERING DAMPER INSTAL. (COVER)	71	AE(V)12-200	COMPRESSOR RHY	4
92	1083601 D	INSTRUMENT PANEL ASSY. T.	70	AE(V)12-170A	STEERING LIGHT SWITCH	3
91	1061006 D	FIRE EXTINGUISHER INSTALLATION	69	AE(V)12-20	DIFFERENCE ELEMENT BOX	3
90	AE(V)12-308	REINFORCING MEMBER ASSY	68	AE(V)12-65C	REAR SEAT FOR PASSENGER	1
89	4320	DRIVING INSTRUCTIONS	67	011029 C	TAIL LAMP SWITCH	2
88	1488	OPERATIONAL MANUAL	66	74935	NUT RETAINER	23
87	248508	STARTING HANDLE	65	530235	NUT RETAINER - 20mm	23
86	510147	INSPECTION LAMP & LEAD	64	532532	MOUNTING PAD	14
85	AE(V)12-181/2	HOSE FUEL FILLER R.H.	63	130219	BUFFER TAIL LIGHT	2
84	AE(V)12-181/1	HOSE FUEL FILLER L.H.	62	368676	JANOR LAMP	1
83	AE(V)12-181	EXHAUST PIPE - PETROL TANK	61	50695	INTAKE AIR IS UP	1
82	AE(V)12-217	FILLER TUBE COMPLETE MEASURED	60	512027	RUBBER BUFFER	6
81	BH 50	CLAMP HOSE - WOOD DRIVE NO. 0 "ULTRA HEAD"	59	532533	REAR CORNER BUSH	1
80	254215	REAR NUMBER PLATE ILLUMINATION LAMP & LEAD	58	530234	REAR CORNER BUSH	1
79	011152 A	WHEEL BRAKE & BUSH SET	57	011741	FLOOR PLATE - 20mm DIA. BUSH SET	3
			56	330710	SOE SHIMMER	6
			55	505740	CORNER BUSH	13
			54	AE(V)12-18	UNIT PERMUTATION 52	2
			53	50328	CLIP LOWER FILLER HOSE	2
			52	20543	CLIP UPPER FILLER HOSE	2
			51	510716	STOP & TAIL LAMP	3
			50	50177	POSSIBLE LAMP REAR - HOLD HOSE 20-18	2
			49	N.P.N.	RIVET TAP/18/15/12 - 2mm DIA. 20mm	2
			48	011235 B	SIMPLE BUSH - 10mm DIA.	1
			47	011229 B	GROUND TERMINAL ASSEMBLY	1
			46	AE(V)12-2 B	INSTALLATION TELEPHONE CHAIR	1
			45	E1210	WINDSCREEN WIPER ASSY - ADDITIONAL	1
			44	N.P.N.	BOLT 20mm DIA. x 25mm L. 20mm DIA.	2
			43	N.P.N.	WASHER 20mm DIA. x 25mm L.	2
			42	N.P.N.	SPRING WASHER - 5mm DIA. 20mm L.	2
			41	AE(V)12-248	FRONT WIND - 2mm	1
			40	AE(V)12-258	FRONT WIND - R.H.	1
			39	1055002 B	EXTERNAL REAR VIEW MIRROR R.H. INSTALLATION	1
			38	011857 C	SEAT BASE - MOUNTING AS PER AE(V)12-270 D.	1
			37	3972	SCREW - 6mm DIA. x 10mm L. TO TANK	6
			36	5121	SPRING WASHER - 6mm DIA. 10mm L.	6
			35	504673	JOINT WASHER - TANK SEAL	1
			34	519858	GASKET UNIT - TANK	1
			33	3972	SCREW - 6mm DIA. x 10mm L. TO TANK	2
			32	5101	SPRING WASHER	2
			31	267837	JOINT WASHER	1
			30	505122	OUTLET ELBOW - COMPLETE GAS TANK	1
			29	276227	FLEXIBLE PIPE - 10mm DIA. x 10mm L.	1
			28	0117622	L.H. FUEL LINE - TANK TO ENGINE	1
			27	0117631 C	R.H. FUEL LINE - TANK TO ENGINE	1
			26	0117629 D	FUEL CHANGE OVER VALVE	1
			25	0117635 D	FUEL LINE - 10mm DIA. x 10mm L. FLEXIBLE PIPE	1
			24	0117637 C	TANK TO TANK WIRE - 10mm DIA. x 10mm L. FLEXIBLE PIPE	1
			23	AE(V)12-200	WIPER MOTOR	1
			22	AE(V)12-200	WIPER MOTOR	1
			21	254312	NUT	4
			20	4067	WASHER	4
			19	253927	SCREW	2
			18	254314	NUT	2
			17	254327	SCREW	4
			16	503328	RECTOR PLATE	1
			15	AE(V)12-200	WINDSCREEN WIPER ASSY	1
			14	2106	WASHERS TO 18mm	2
			13	AE(V)12-500 F	STEEL RING FOR WIPER - 18mm DIA.	1
			12	520751	WASHERS TO 18mm	2
			11	AE(V)12-785	WIPER MOTOR	1
			10	AE(V)12-200 F	WINDSCREEN WIPER ASSY	1
			9	011857 D	CONNECTION AS PER CHASSIS WIRING DIAGRAM	1
			8	011826 F	CONNECTION AS PER CHASSIS WIRING DIAGRAM	1
			7	011820 E	CONNECTION AS PER CHASSIS WIRING DIAGRAM	1
			6	5121	SPRING WASHER	6
			5	330710	SOE SHIMMER	6
			4	AE(V)12-200	WINDSCREEN WIPER ASSY	1
			3	AE(V)12-200	WINDSCREEN WIPER ASSY	1
			2	011857 A	CONNECTION AS PER CHASSIS WIRING DIAGRAM	1
			1	011857	CONNECTION AS PER CHASSIS WIRING DIAGRAM	2

FINISH: AS PER STANDARD VEHICLE EXCEPT THE FINISH COLOUR TO BE DEEP BRONZE GREEN (ES281 COLOUR NO 204 FULL GLOSS) - THIS FINISH FOR CONTRACTS PRIOR TO MAY 1968
 ALL GALVANISED PARTS TO BE SUBJECTED TO AN EXTRA PICKLING PROCESS (LITHEFORM TO APPROVED PROCEDURE PRIOR TO PAINTING)
 ALL ELECTRICAL FITTINGS TO BE PRE-PACKAGED.

NOTE!
 1. UNLESS OTHERWISE STATED OR SHOWN PICTORALLY THIS VEHICLE IS BASED ON A STANDARD LAND-ROVER 108WB CONFORMING WITH ARMY (MUST) SPEC 75. AND IN CONJUNCTION WITH LAND-ROVER SPECIAL VARIATION S2073.
 2. WHERE THE WIRING CANNOT BE CONNECTED BECAUSE OF THE BODY NOT FITTED, THESE WIRES SHALL BE TAPPED TO THE CHASSIS.
 3. PAINT COLOUR & FINISH 'LUST-LESS OLIVE DRAB' (NAMES ARMY (MUST) SPEC 152).

11
 PRE CONTRACT NO. V403003 & V403388
 ELECTRICAL WIRING DIAGRAM
 12
 PRE CONTRACT NO. V403003 & V403388
 ELECTRICAL INSTALLATION ARMY SPEC 103.
 13
 PRE CONTRACT NO. V403003 & V403388
 ELECTRICAL WIRING DIAGRAM
 14
 PRE CONTRACT NO. V403003 & V403388
 ELECTRICAL INSTALLATION 10V
 INCLUDES 10V WIRE SUPPLY & CONNECTIONS
 IN CONJUNCTION WITH ADE(V)44-528 D

ISSUE B	ISSUE A	PREPRESSED METAL CORP. LTD. COSGROVE ROAD, ENFIELD - PHONE: 642-0281	DRAWN BY DATE	CH'D BY DATE	APPR'D BY DATE
PREPRESSED METAL CORP. LTD. COSGROVE ROAD, ENFIELD - PHONE: 642-0281 PREPRESSED METAL CORP. LTD. COSGROVE ROAD, ENFIELD - PHONE: 642-0281	DATE SCALE DESCRIPTION SA of PREPRESSED METAL CORP. LTD. APPROVED FOR THE...		DATE SCALE NEXT ASSY.	DRAWING No. 1112-D-001	SIZE A0