

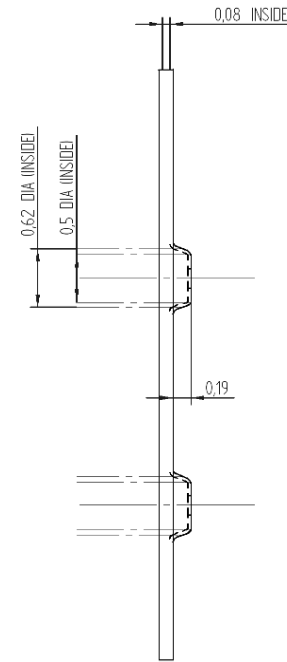
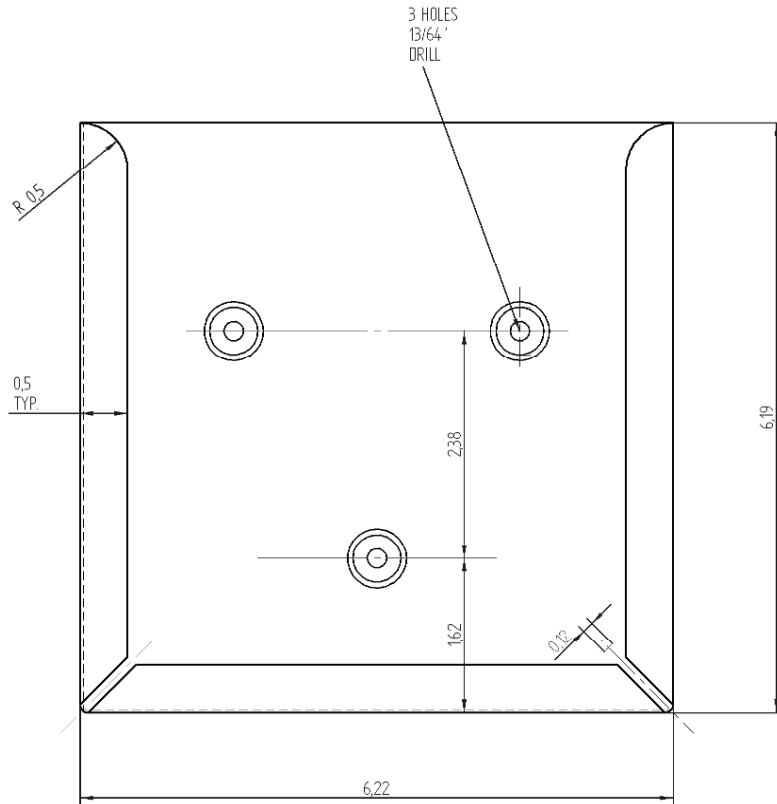
Registry of Ex Military Land Rovers

Copyright of this document is retained by the original authors. Some parts may have been superseded or changed since that time.

This document has been download from the Registry of Ex Military Land Rovers at <http://www.remlr.com> . All files available from this site are free of charge.

If you have paid for this document please report where you purchased it from to the Registry of Ex Military Land Rovers Inc at webmaster@remlr.com





MAT'L & FINISH: 21 BG (0349) MS SCALE FREE

ALTERNATE: 1 MM GALVABOND

NOTE: ALL DIMENSIONS IMPERIAL
SIMILAR TO ADE(V) 43-1

REVISED BY:	DESIGNED BY:				
RH 13/04/1981	GRS 30/07/2010				
		DESCRIPTION UNIT SIGN HOLDER			
		PART NO. 0111740		A3	